



US00D626920S

(12) **United States Design Patent**
Purdy et al.

(10) **Patent No.:** **US D626,920 S**

(45) **Date of Patent:** **** *Nov. 9, 2010**

(54) **COAXIAL CABLE CONNECTOR**

(75) Inventors: **Eric Purdy**, Constantia, NY (US);
Raymond Palinkas, Canastota, NY (US)

(73) Assignee: **John Mezzalingua Assoc., Inc.**, E.
Syracuse, NY (US)

(*) Notice: This patent is subject to a terminal disclaimer.

(**) Term: **14 Years**

(21) Appl. No.: **29/339,600**

(22) Filed: **Jul. 2, 2009**

(51) **LOC (9) Cl.** **13-03**

(52) **U.S. Cl.** **D13/151**

(58) **Field of Classification Search** D13/133,
D13/149, 151, 154, 184, 199; 439/13, 20,
439/22, 133, 135, 246, 306, 321, 322, 480,
439/476.1, 578, 583, 584, 585, 668

See application file for complete search history.

(56) **References Cited**

U.S. PATENT DOCUMENTS

D504,402 S * 4/2005 Montena D13/154

D513,736 S * 1/2006 Fox D13/151
2008/0064259 A1 * 3/2008 Amidon 439/578
2008/0171467 A1 * 7/2008 Amidon 439/578

* cited by examiner

Primary Examiner—Daniel D Bui

Assistant Examiner—Thomas J Johannes

(74) *Attorney, Agent, or Firm*—Melissa Bitting

(57) **CLAIM**

We claim the ornamental design for a coaxial cable connector, as shown and described.

DESCRIPTION

FIG. 1 is a perspective view of a new coaxial cable connector;

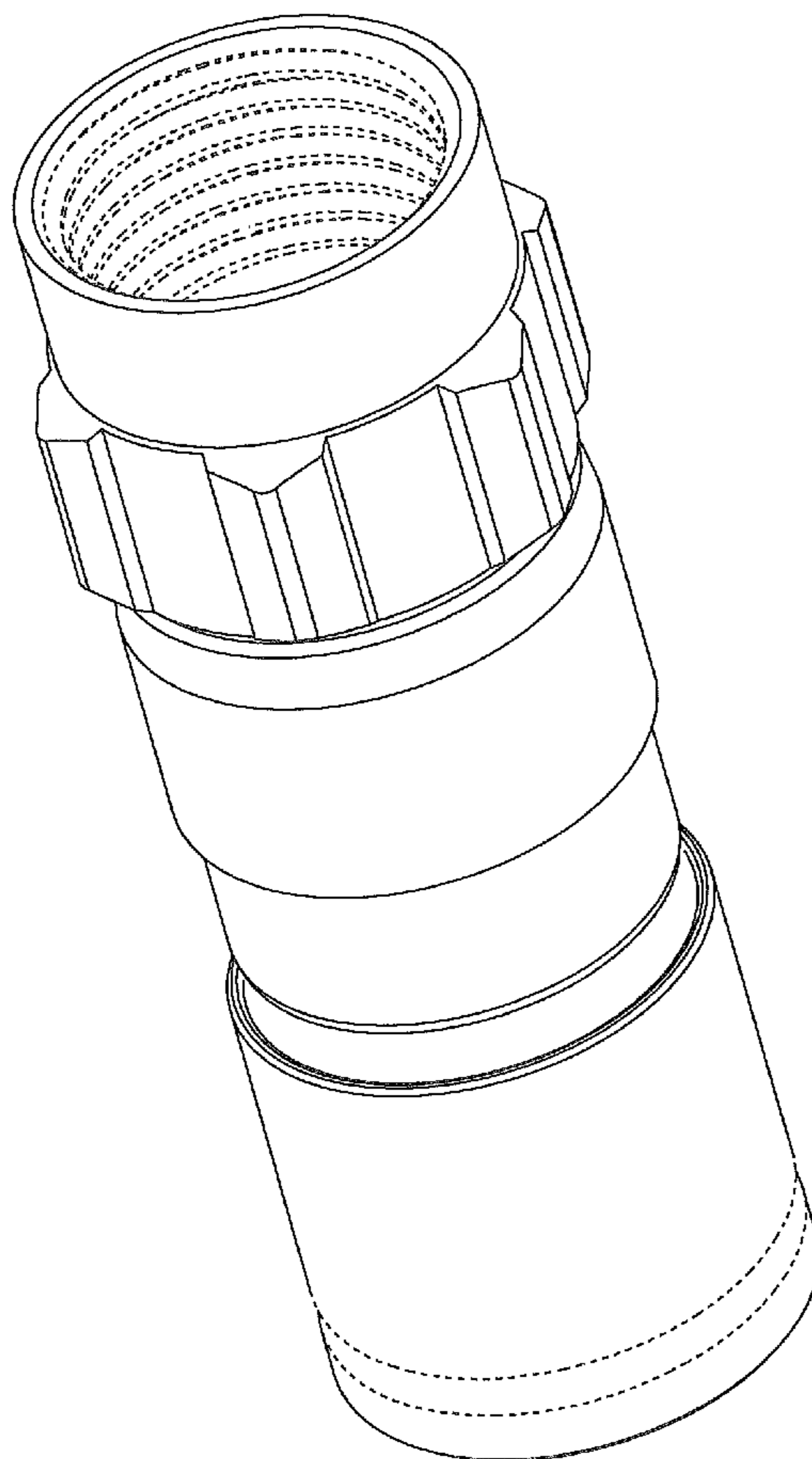
FIG. 2 is a side elevation view thereof, with the opposite side elevation view being a mirror image thereto;

FIG. 3 is a top plan view thereof; and,

FIG. 4 is a bottom plan view thereof.

The broken line portion of the figure drawings is included to show unclaimed subject matter only and forms no part of the claimed design.

1 Claim, 4 Drawing Sheets



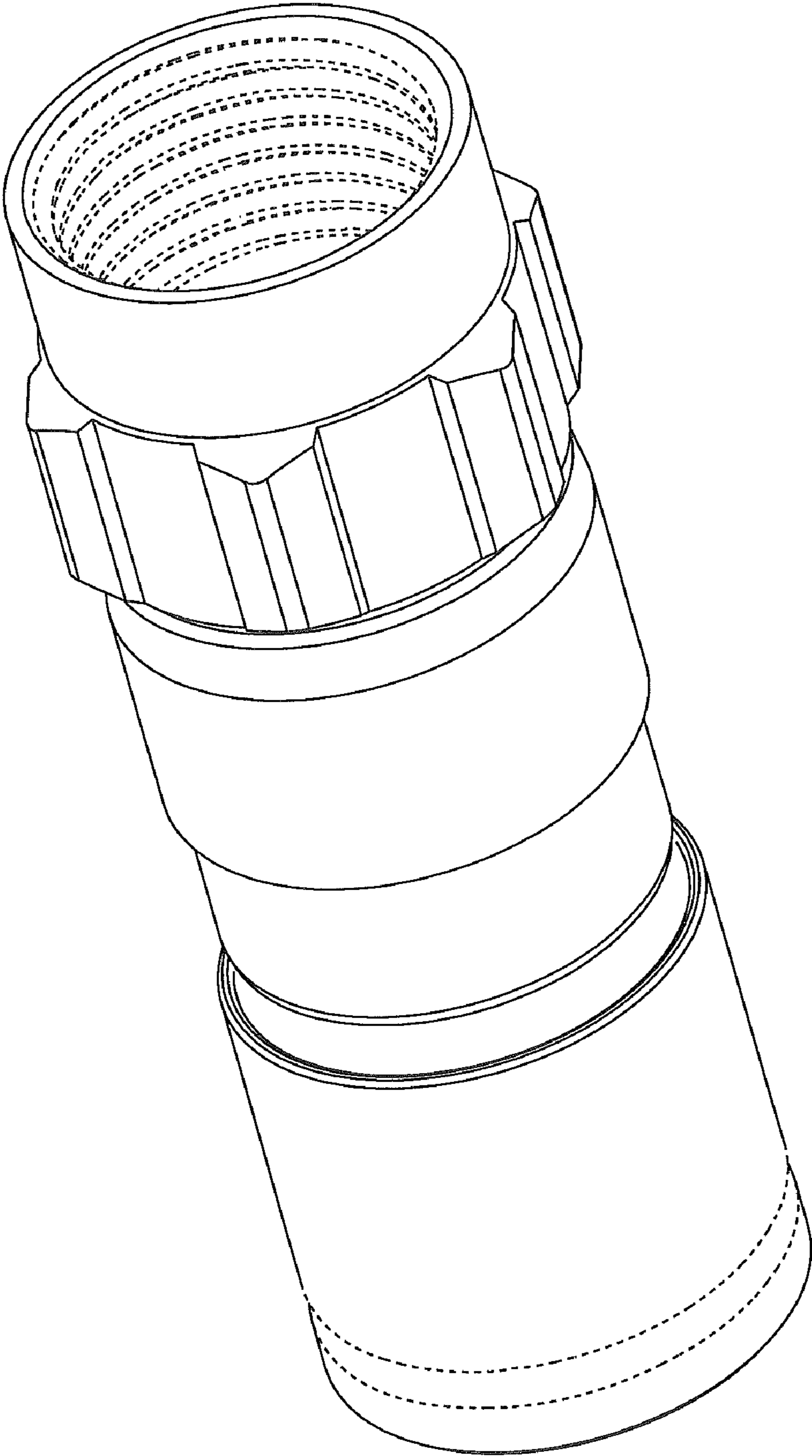


FIG.1

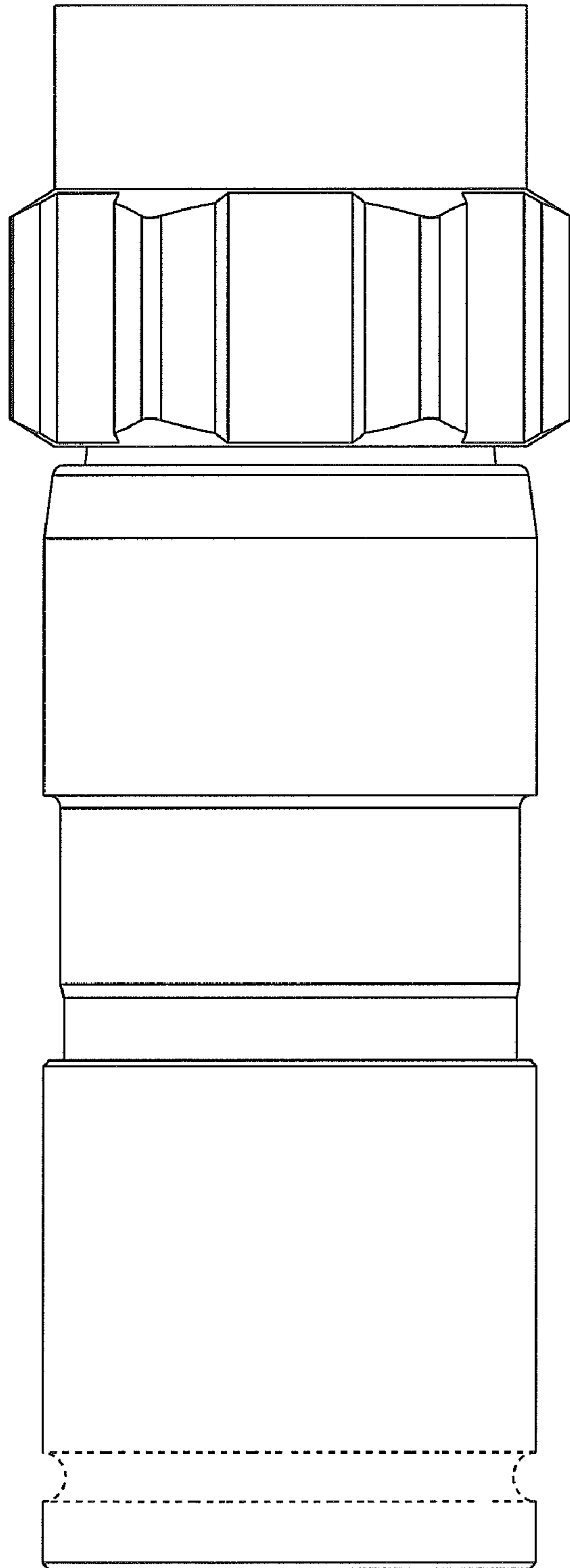


FIG.2

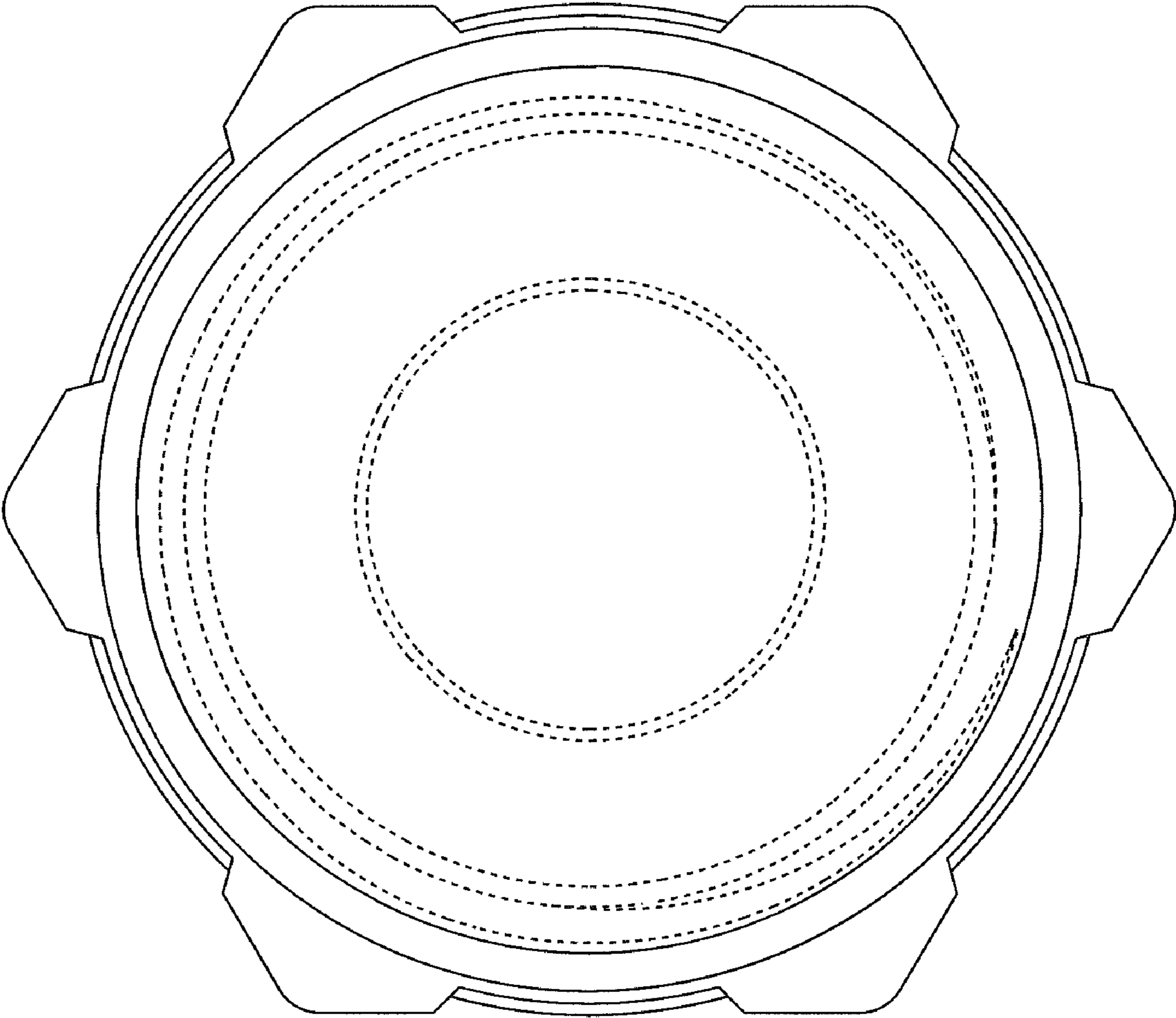


FIG.3

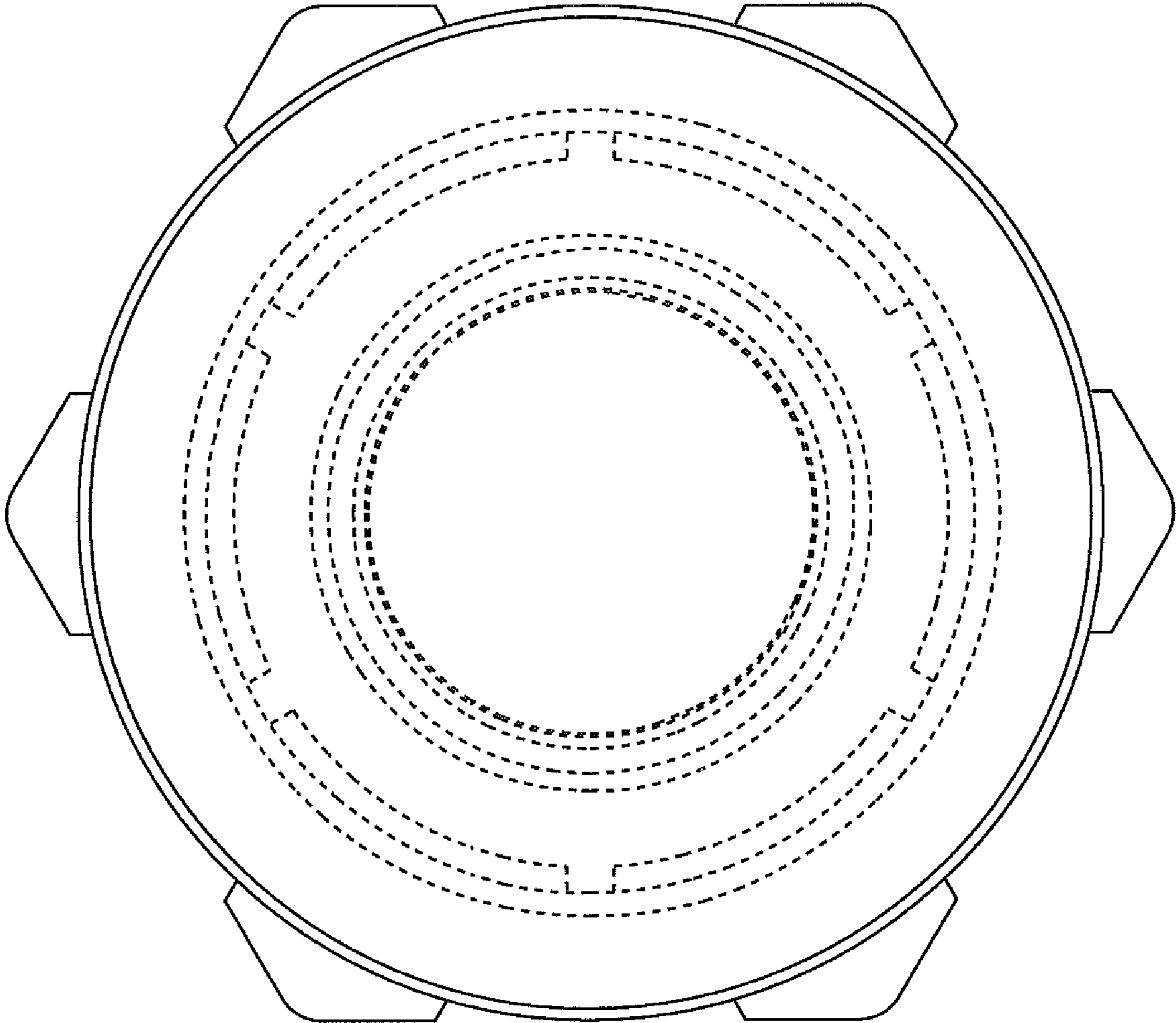


FIG.4