



US00D626919S

(12) **United States Design Patent**
Wang et al.

(10) **Patent No.:** **US D626,919 S**

(45) **Date of Patent:** **** Nov. 9, 2010**

(54) **ELECTRICAL CONNECTOR**

(75) Inventors: **Chen-Xi Wang**, Kunshan (CN);
Hong-Qiang Han, Kunshan (CN);
Zi-Qiang Zhu, Kunshan (CN)

(73) Assignee: **Hon Hai Precision Ind. Co., Ltd.**,
Taipei Hsien (TW)

(**) Term: **14 Years**

(21) Appl. No.: **29/359,088**

(22) Filed: **Apr. 6, 2010**

(30) **Foreign Application Priority Data**

Dec. 26, 2009 (CN) 2009 3 0331316

(51) **LOC (9) Cl.** **13-03**

(52) **U.S. Cl.** **D13/147**

(58) **Field of Classification Search** D13/147,
D13/154, 184; 439/79, 108, 378, 567, 607-610,
439/668, 680

See application file for complete search history.

(56) **References Cited**

U.S. PATENT DOCUMENTS

D608,738 S * 1/2010 Wang et al. D13/147

D611,911 S * 3/2010 Wang et al. D13/147

D614,578 S * 4/2010 Wang et al. D13/147

D616,829 S * 6/2010 Wang et al. D13/147

D617,283 S * 6/2010 Wang et al. D13/147

* cited by examiner

Primary Examiner—Daniel D Bui

(74) *Attorney, Agent, or Firm*—Wei Te Chung; Andrew C.
Cheng; Ming Chieh Chang

(57) **CLAIM**

The ornamental design for an electrical connector, as shown
and described.

DESCRIPTION

FIG. 1 is a front, top and right side perspective view of an
electrical connector showing our new design;

FIG. 2 is a front elevational view thereof;

FIG. 3 is a rear elevational view thereof;

FIG. 4 is a left side elevational view thereof;

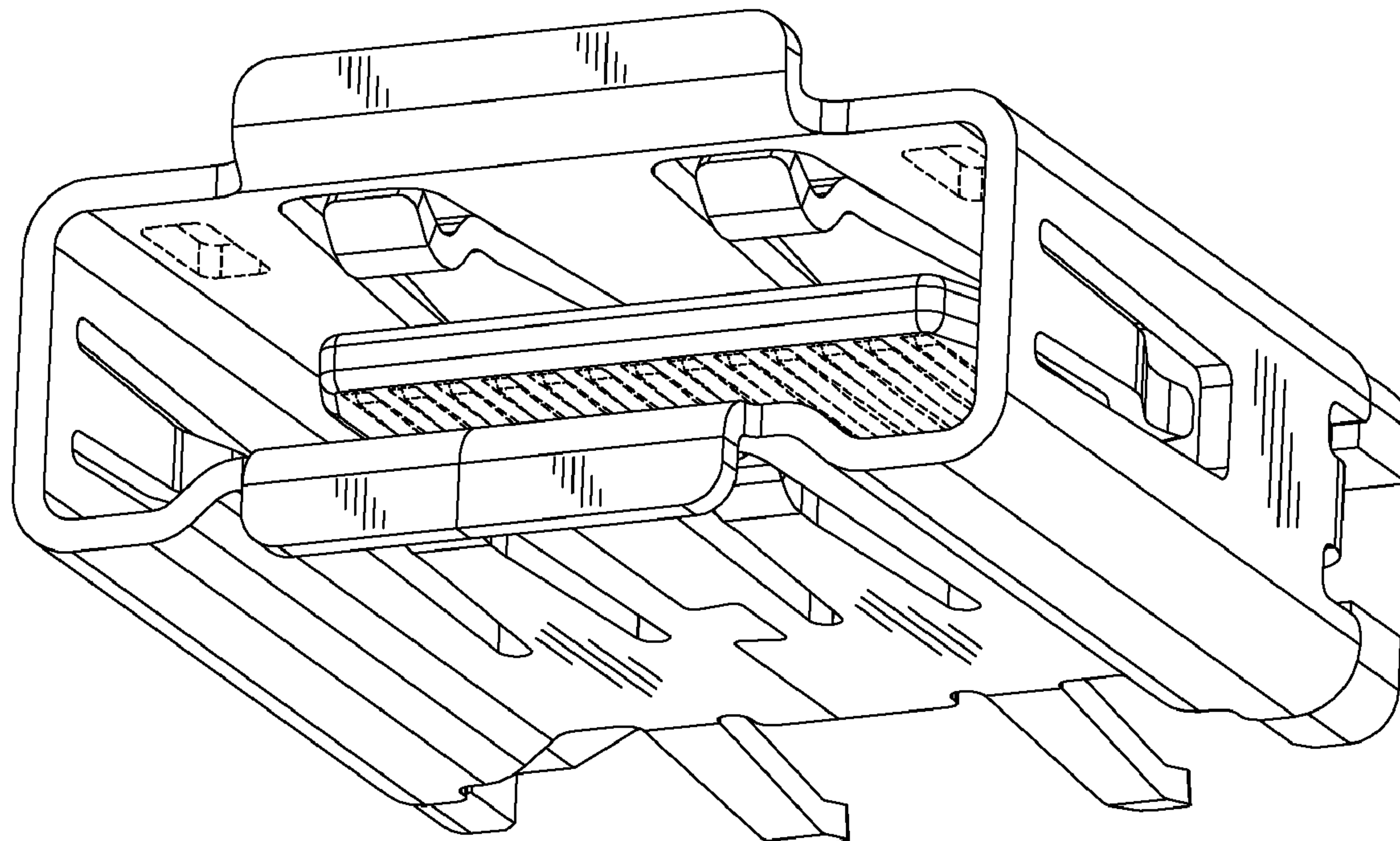
FIG. 5 is a right side elevational view thereof;

FIG. 6 is a top plan view thereof; and,

FIG. 7 is a bottom plan view thereof.

The broken line portion in the drawing views is included to
show unclaimed subject matter only and forms no part of the
claimed design.

1 Claim, 7 Drawing Sheets



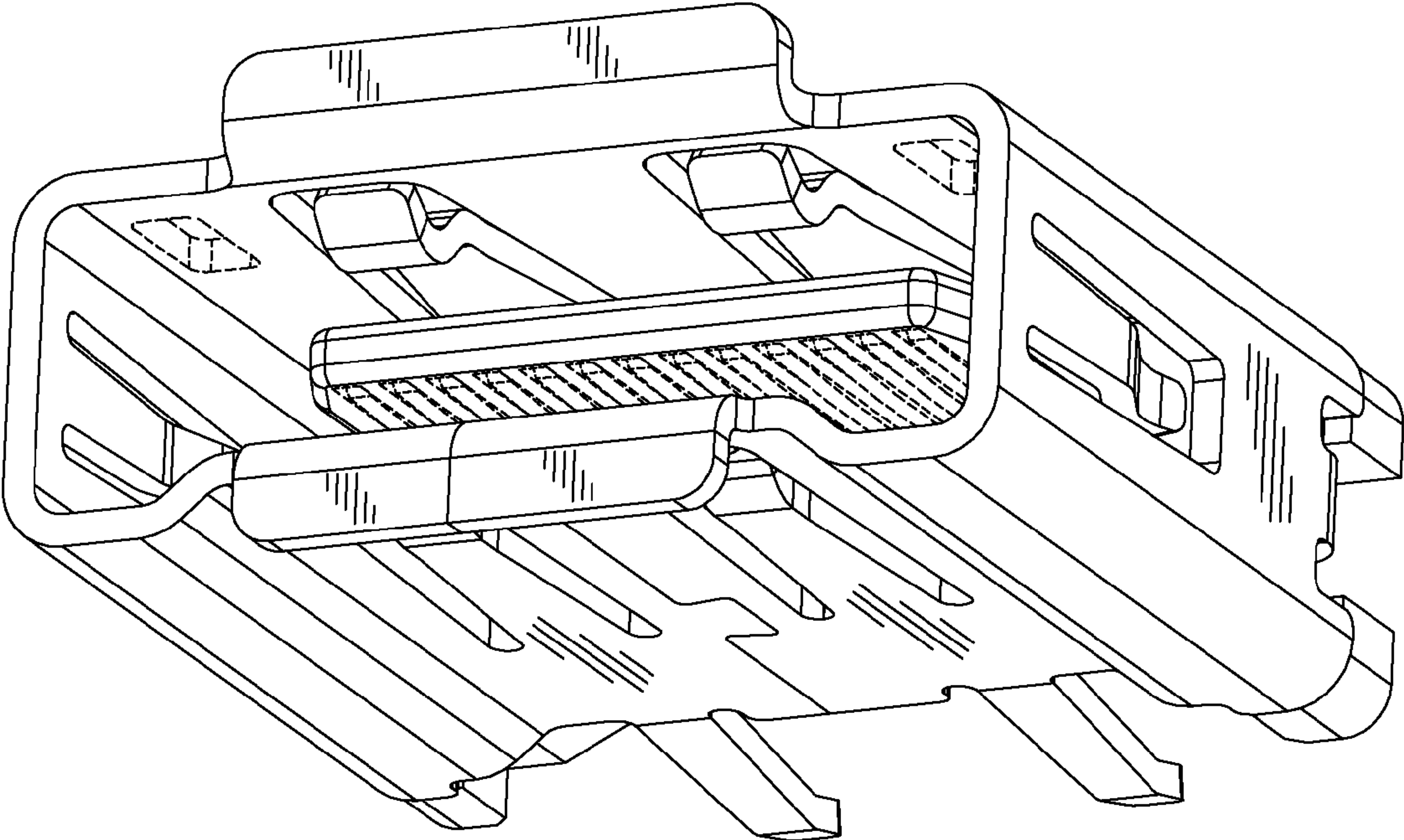


FIG. 1

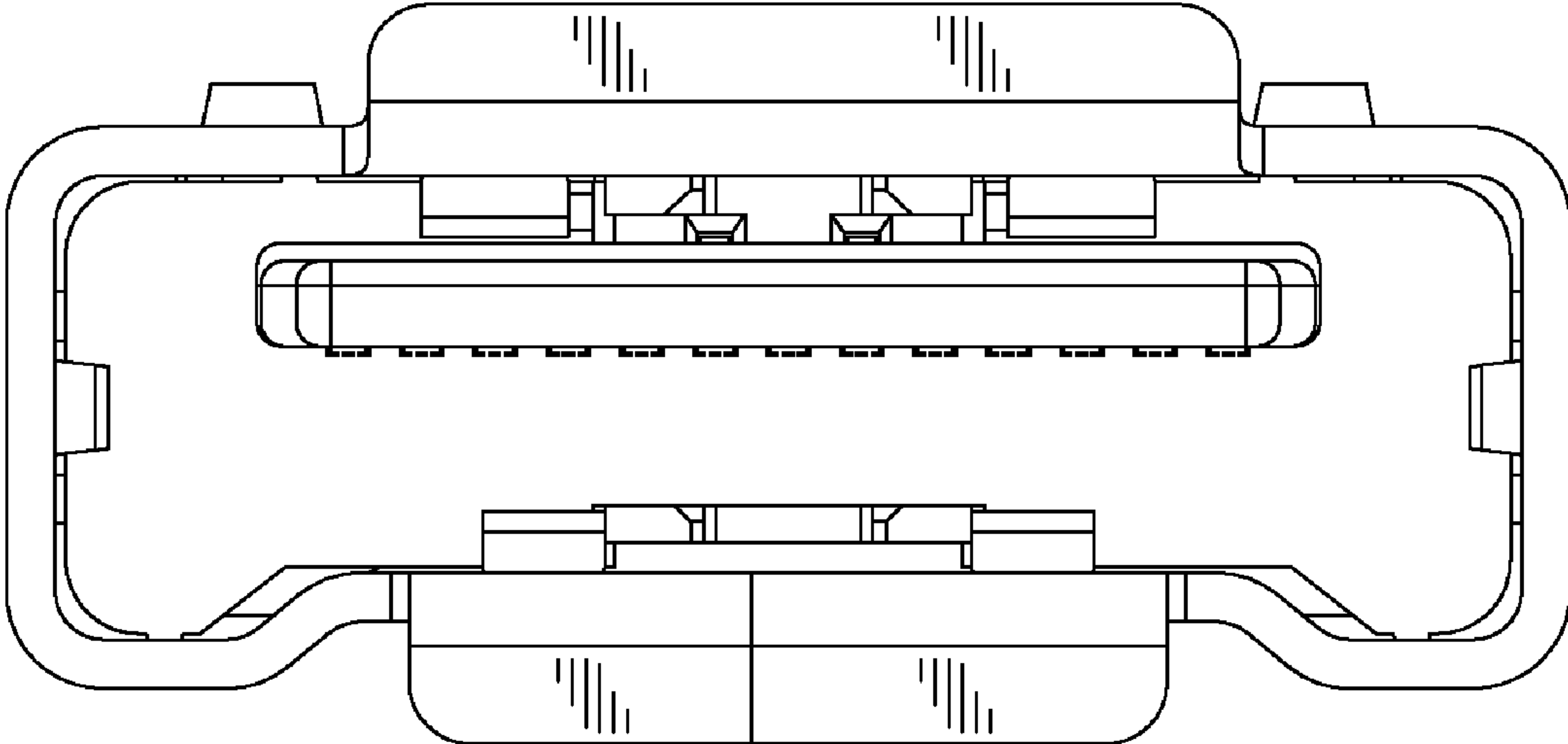


FIG. 2

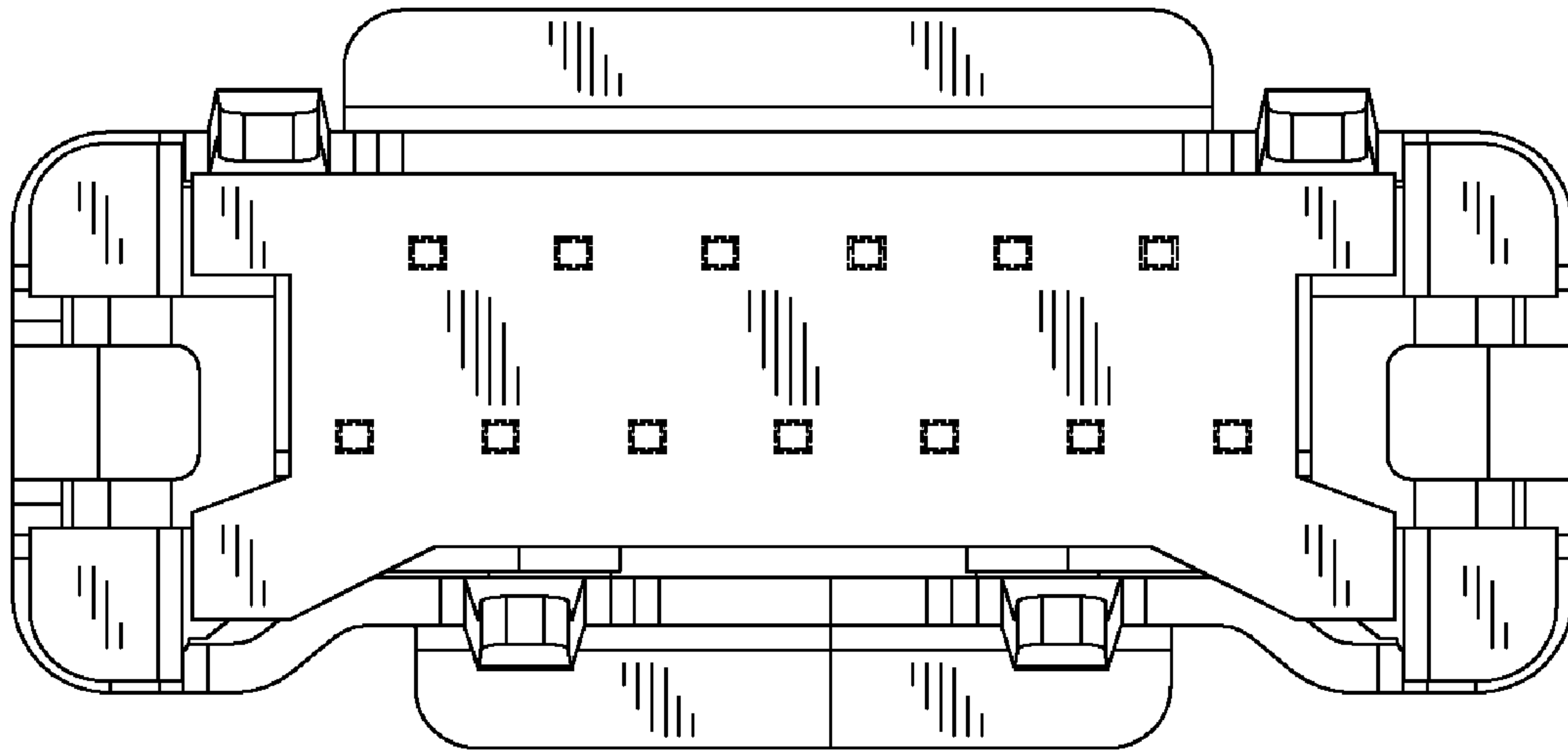


FIG. 3

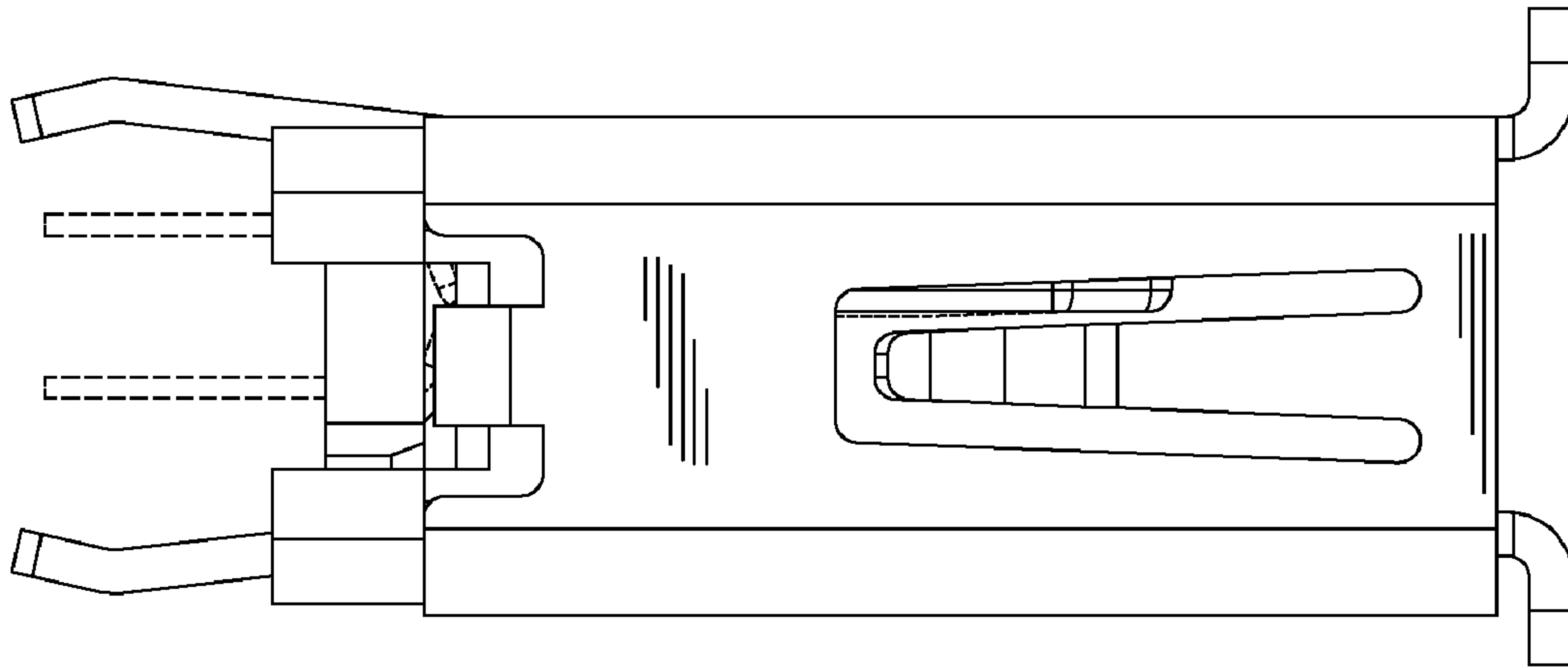


FIG. 4

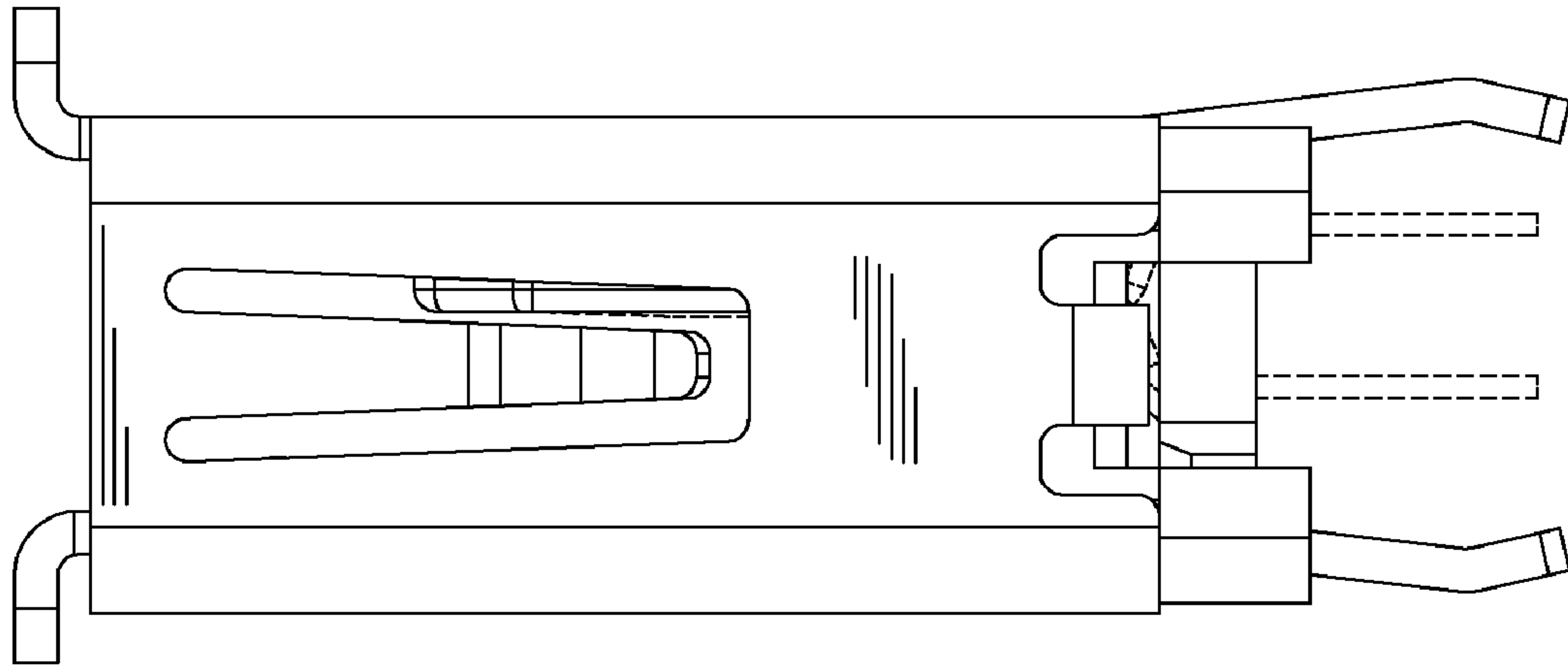


FIG. 5

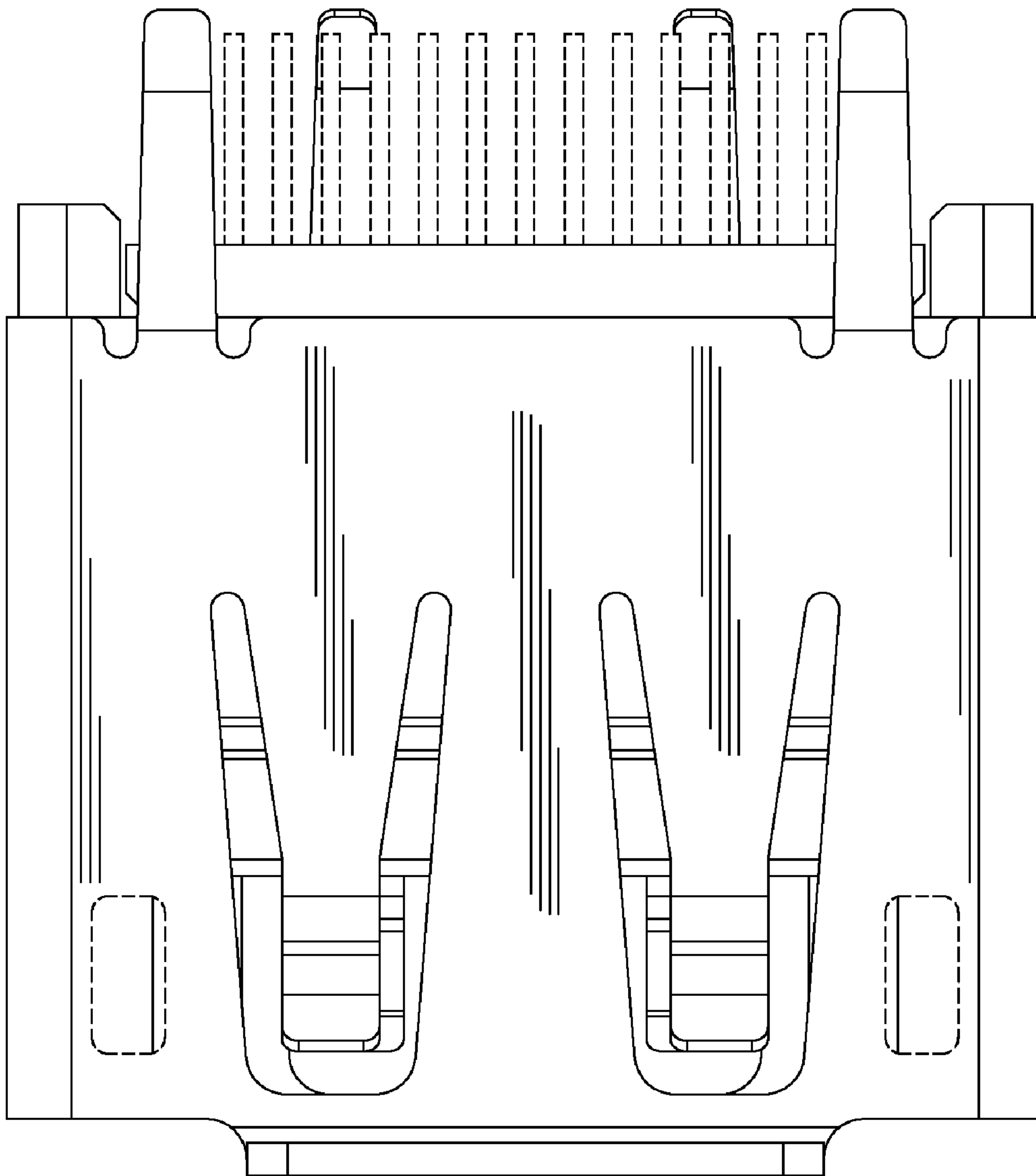


FIG. 6

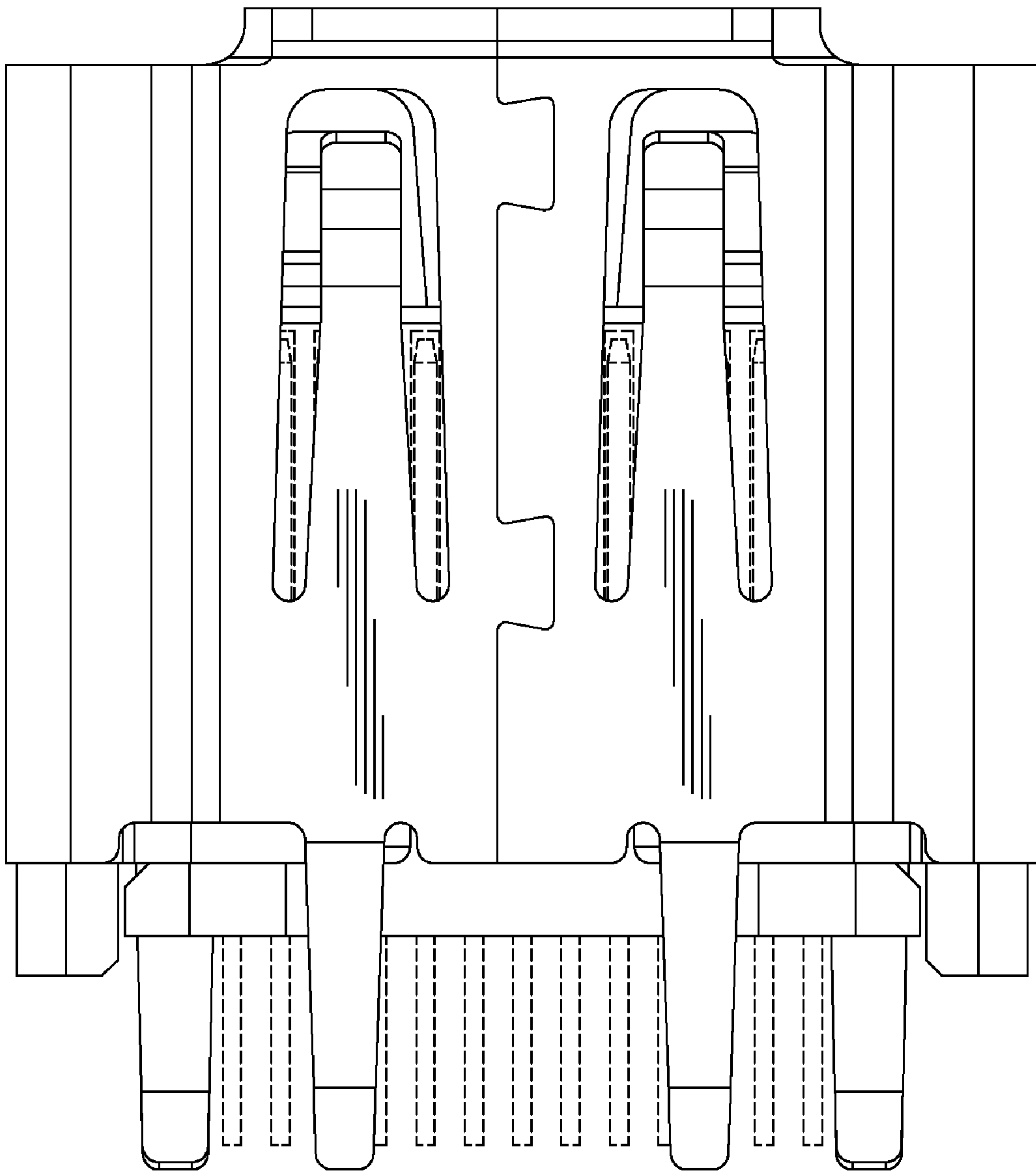


FIG. 7