



US00D626918S

(12) **United States Design Patent**
Sasaki et al.

(10) **Patent No.:** **US D626,918 S**
(45) **Date of Patent:** **** Nov. 9, 2010**

(54) **ELECTRICAL CONNECTOR**

FOREIGN PATENT DOCUMENTS

(75) Inventors: **Daisuke Sasaki**, Isesaki (JP); **Junichi Arai**, Isesaki (JP)

JP D1371984 10/2009

* cited by examiner

(73) Assignee: **Hosiden Corporation**, Osaka (JP)

Primary Examiner—Daniel D Bui

(74) *Attorney, Agent, or Firm*—Rankin, Hill & Clark LLP

(**) Term: **14 Years**

(57) **CLAIM**

(21) Appl. No.: **29/354,875**

The ornamental design for an electrical connector, as shown and described.

(22) Filed: **Jan. 29, 2010**

DESCRIPTION

(51) **LOC (9) Cl.** **13-03**

FIG. 1 is a front, right side and top perspective view of an electrical connector showing our new design;

(52) **U.S. Cl.** **D13/147**

FIG. 2 is a rear, left side and bottom perspective view thereof;

(58) **Field of Classification Search** D13/147,
D13/154, 184; 439/79, 108, 378, 567, 607–610,
439/668, 680

FIG. 3 is a front elevation view thereof;

FIG. 4 is a rear elevation view thereof;

See application file for complete search history.

FIG. 5 is a left side view thereof;

FIG. 6 is a right side view thereof;

FIG. 7 is a top plan view thereof; and,

FIG. 8 is a bottom plan view thereof.

The broken line portion of the figure drawings is included to show unclaimed subject matter only and forms no part of the claimed design.

(56) **References Cited**

U.S. PATENT DOCUMENTS

D553,090 S * 10/2007 Lai et al. D13/147

D584,232 S * 1/2009 Su et al. D13/147

D586,754 S * 2/2009 Yuan et al. D13/147

D598,390 S * 8/2009 Sun et al. D13/147

1 Claim, 4 Drawing Sheets

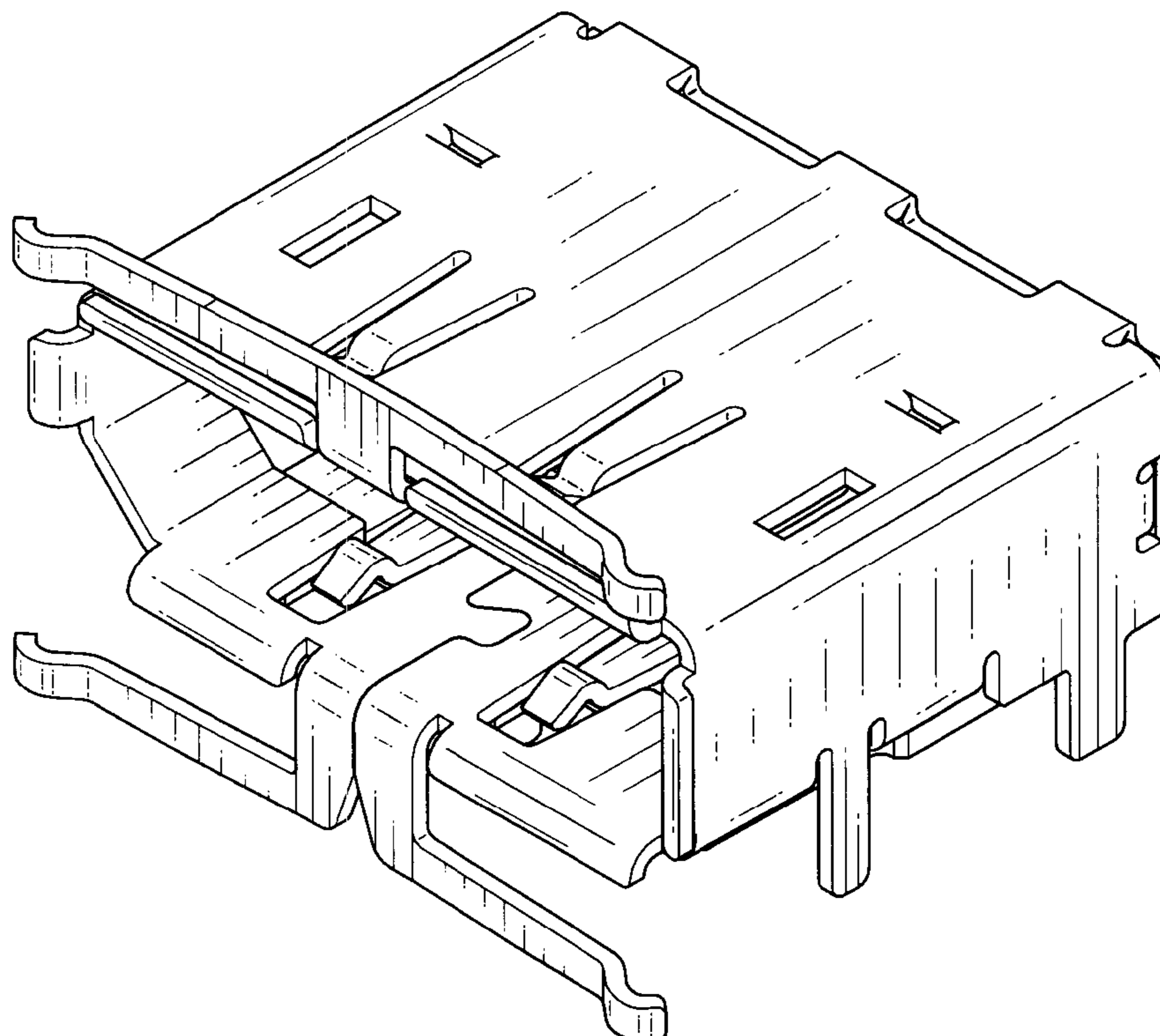


Fig. 1

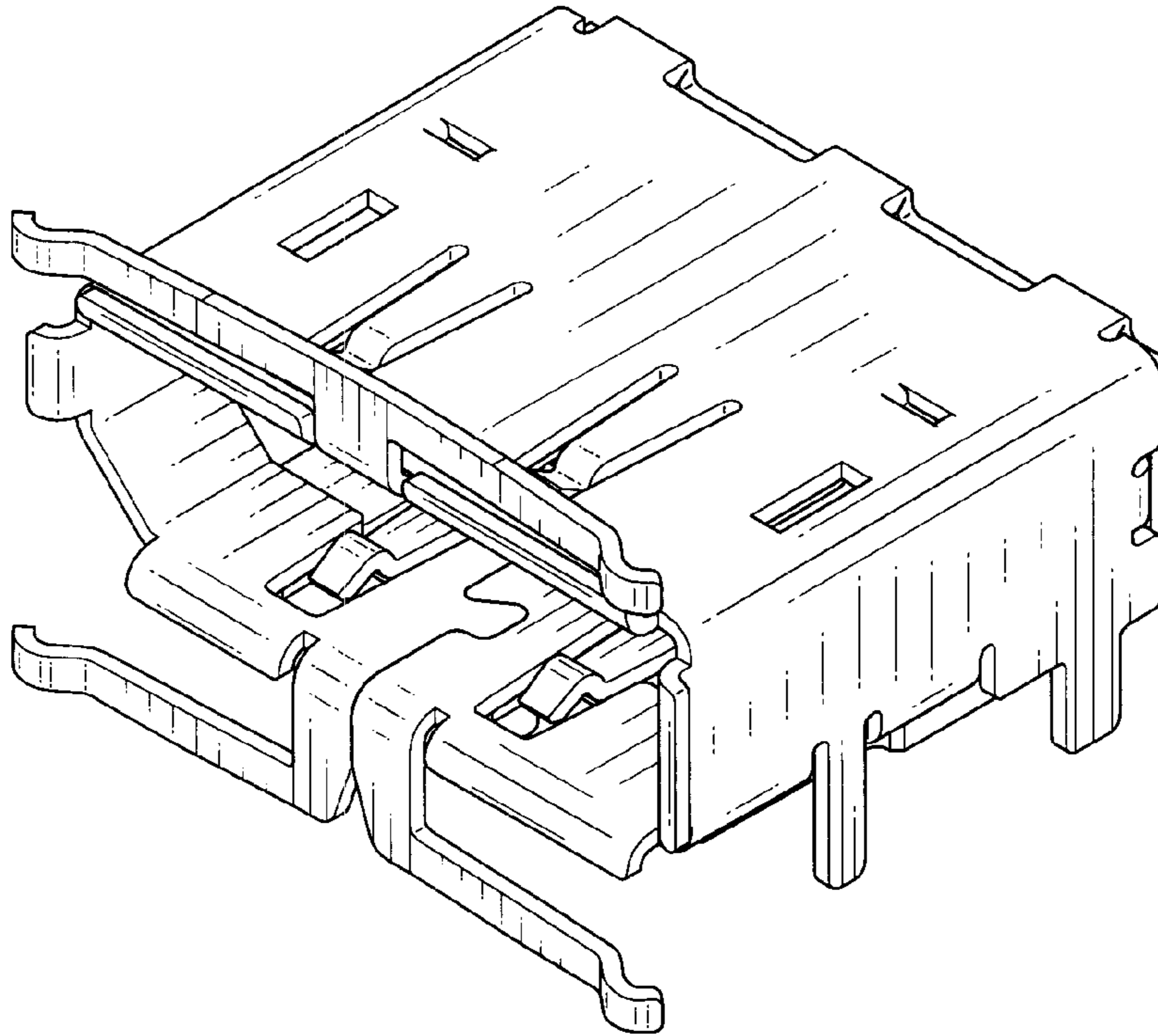


Fig. 2

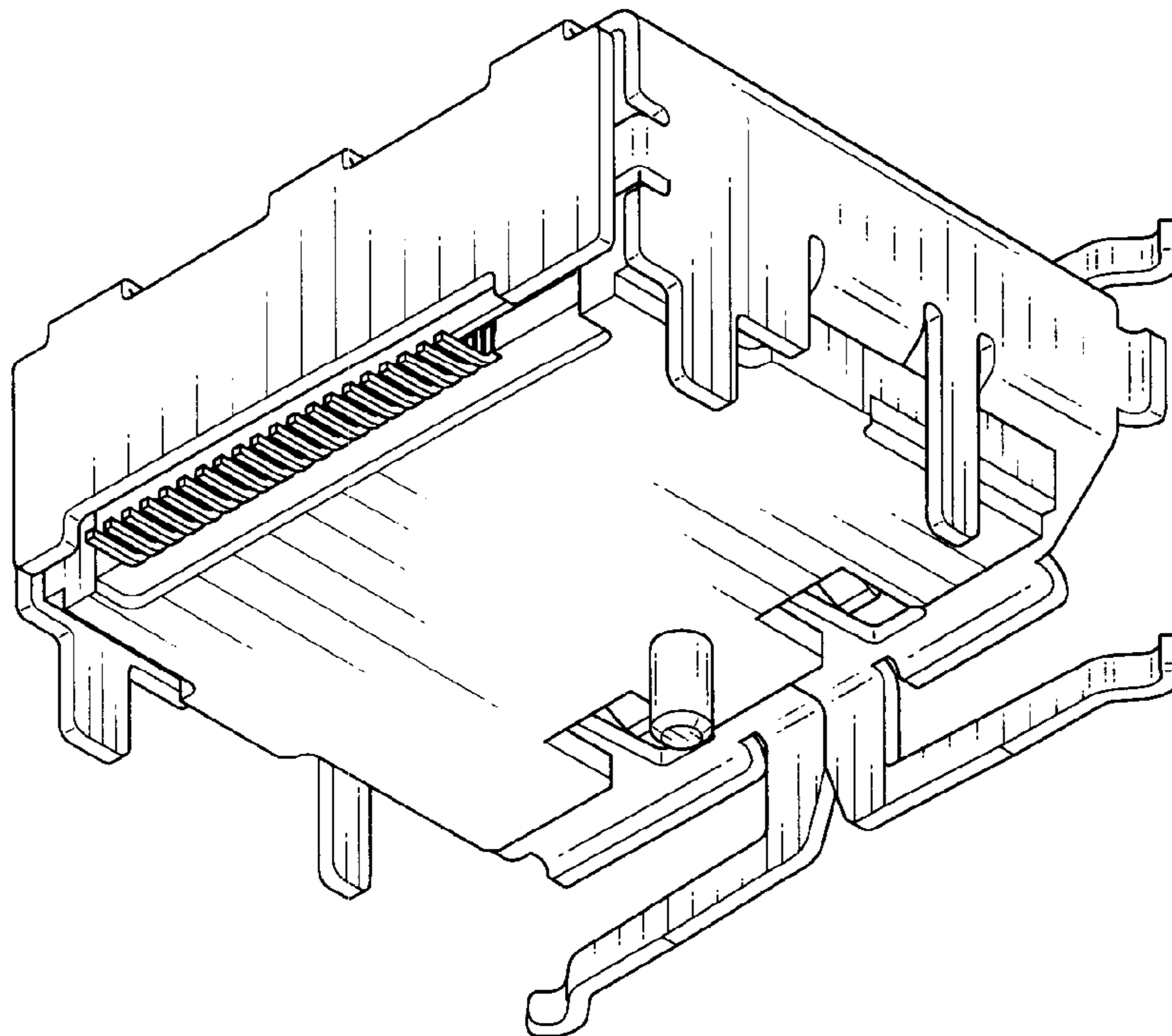


Fig. 3

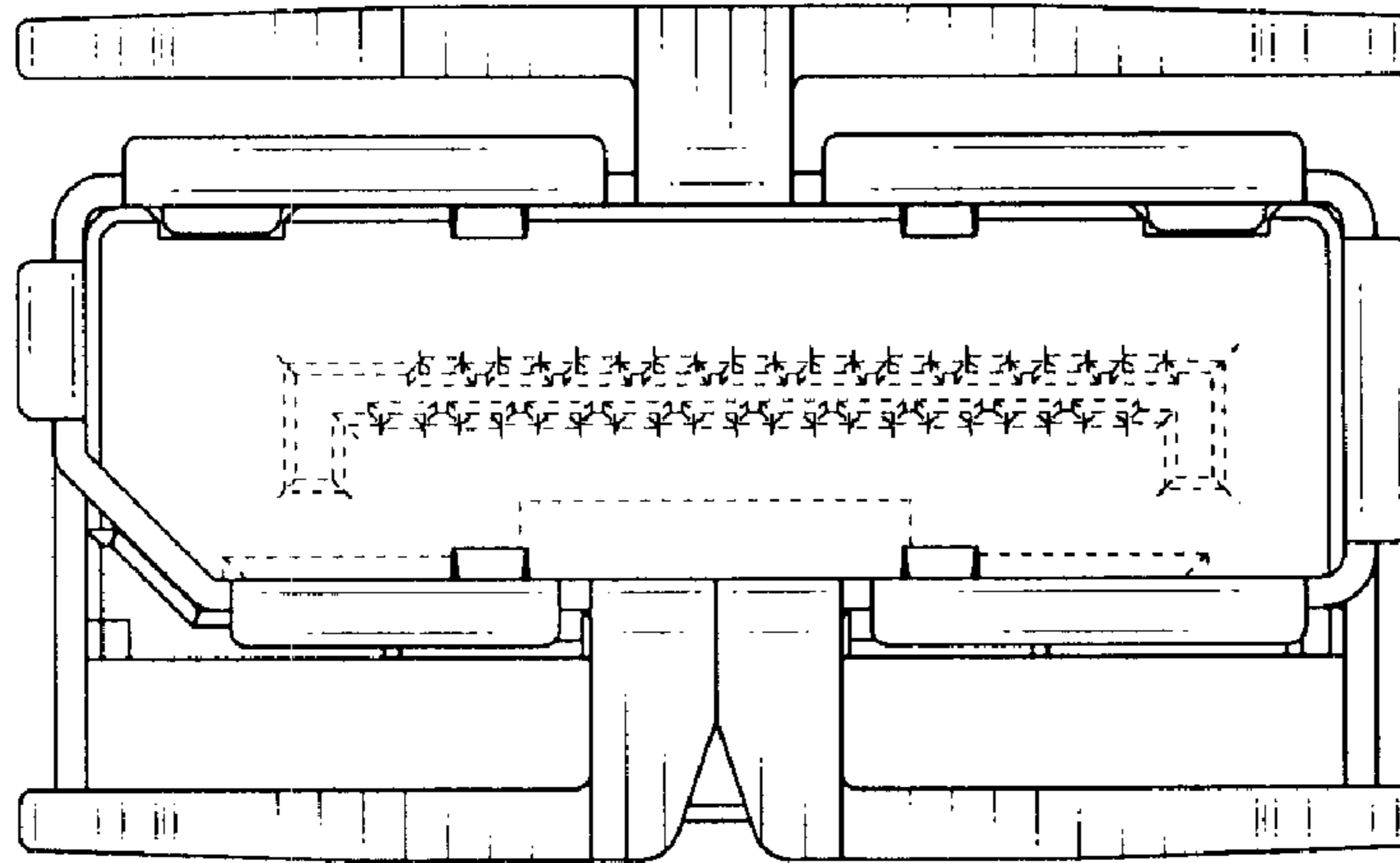


Fig. 4

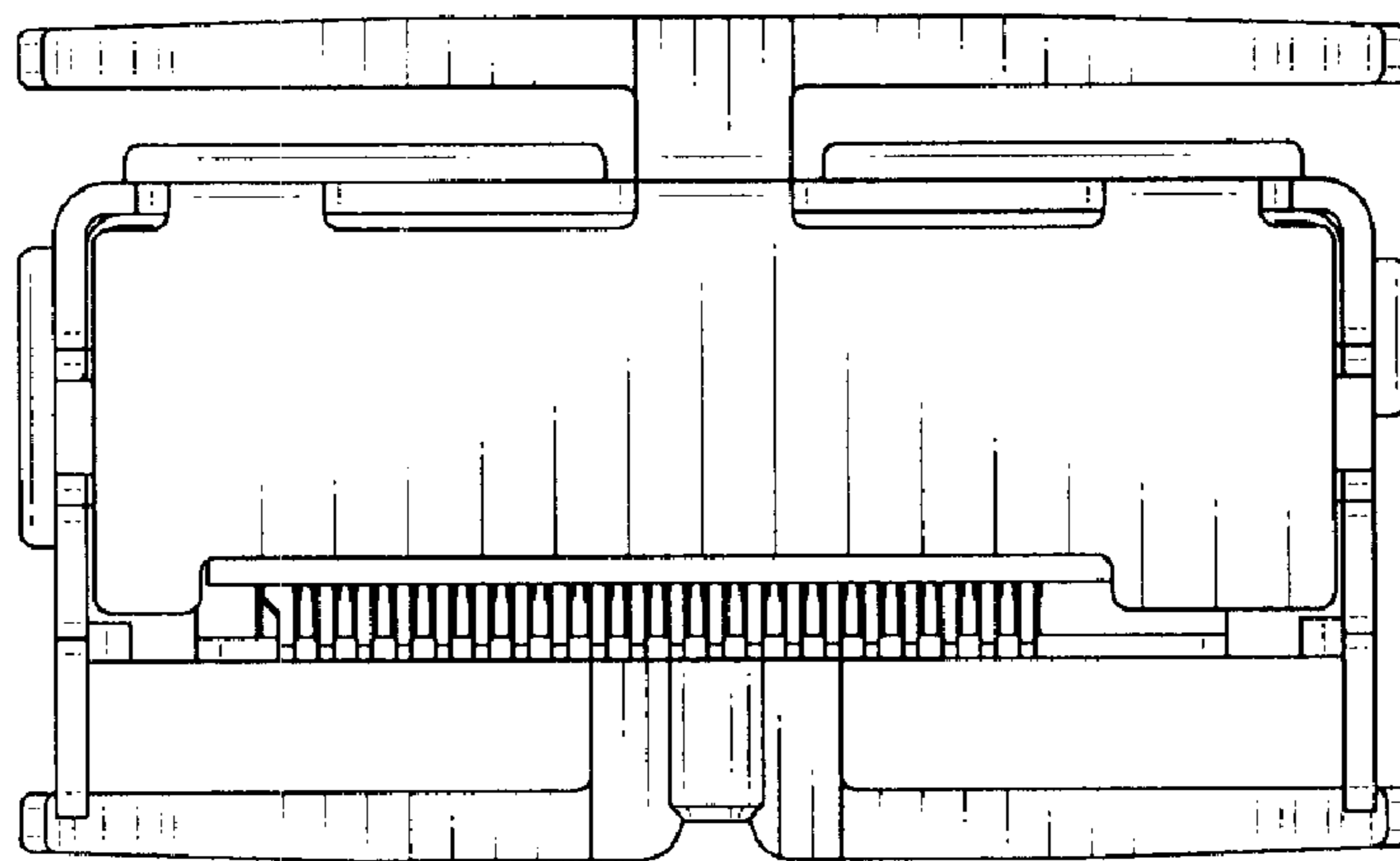


Fig. 5

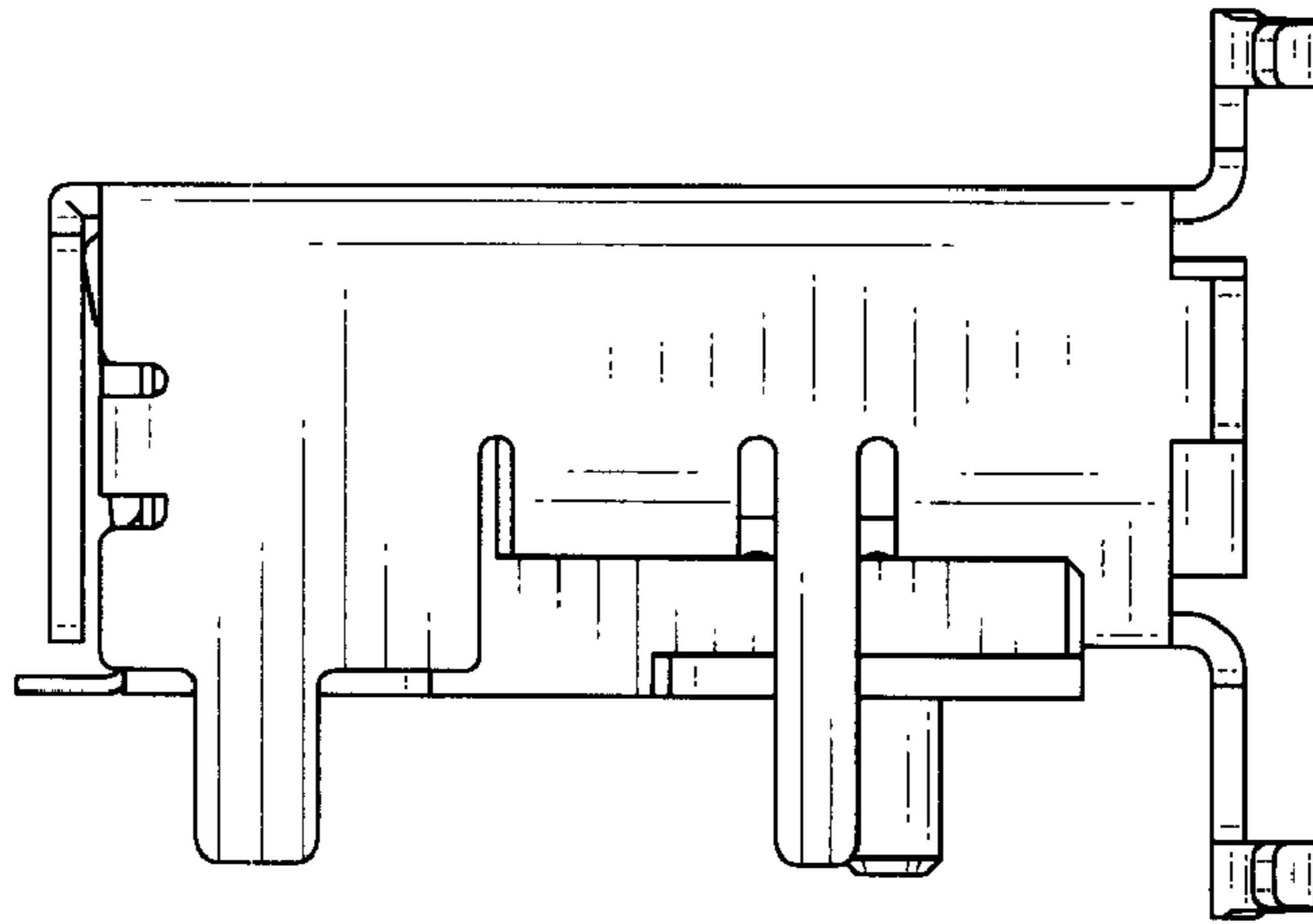


Fig. 6

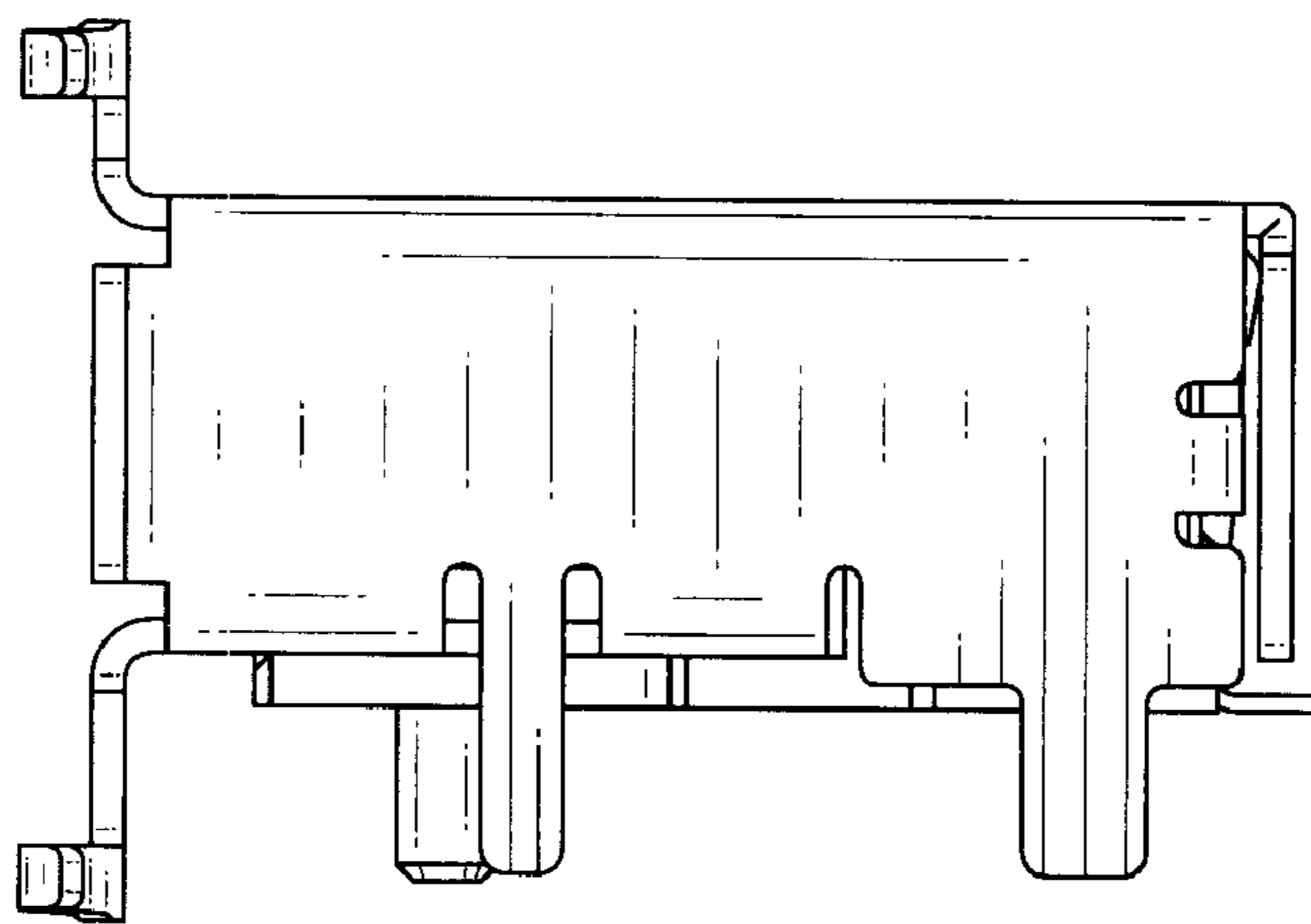


Fig. 7

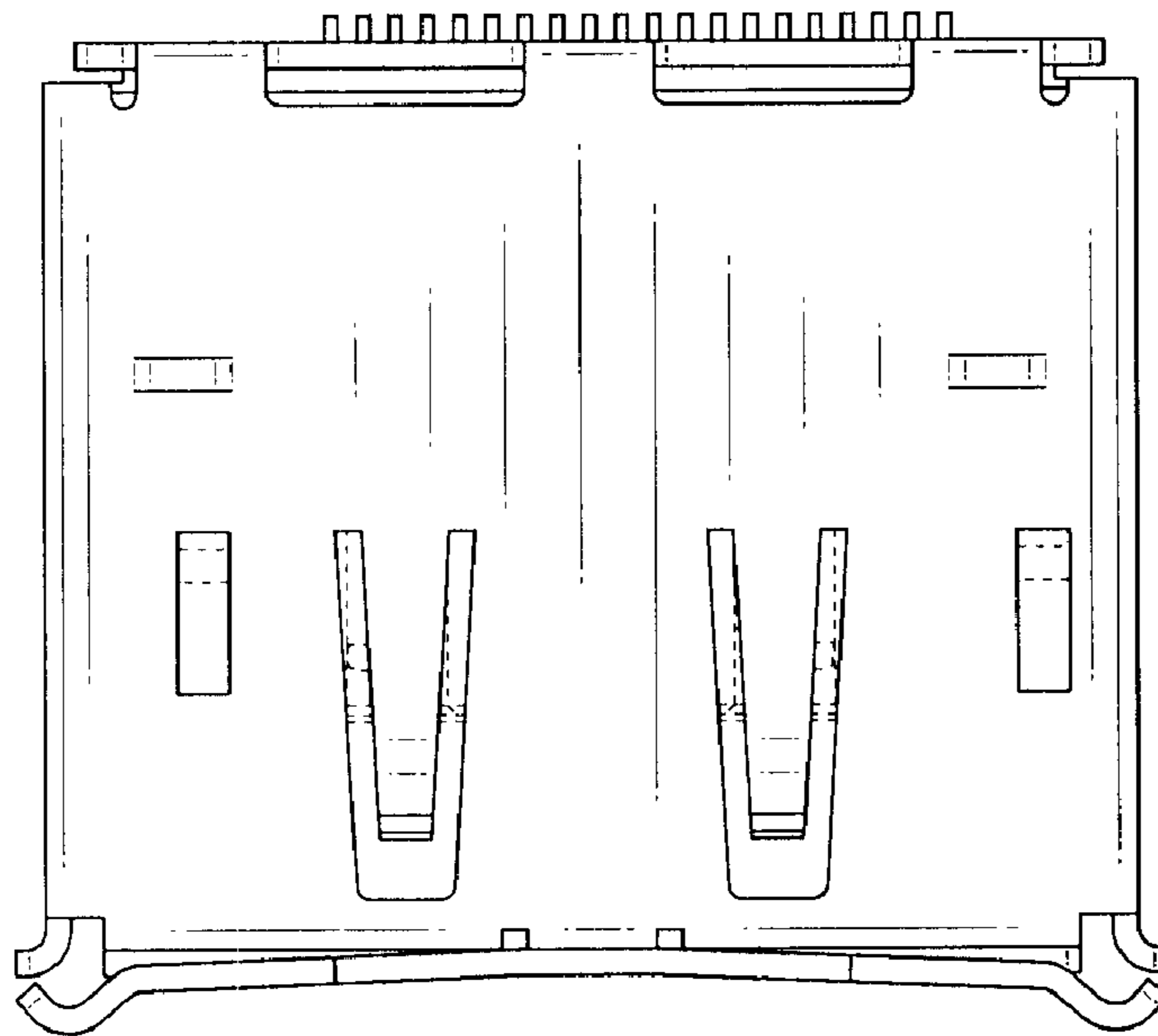


Fig. 8

