



US00D626917S

(12) **United States Design Patent**
James et al.

(10) **Patent No.:** **US D626,917 S**

(45) **Date of Patent:** **** Nov. 9, 2010**

(54) **CONNECTOR ASSEMBLY**

D524,735 S * 7/2006 Hung et al. D13/123
D535,620 S * 1/2007 Mace et al. D13/133

(75) Inventors: **Jason James**, Brackmills (GB); **Stuart Pointing**, Brackmills (GB)

* cited by examiner

(73) Assignee: **Hellermannntyton Data Ltd.** (GB)

Primary Examiner—Daniel D Bui

(74) *Attorney, Agent, or Firm*—Brinks Hofer Gilson & Lione

(**) Term: **14 Years**

(57) **CLAIM**

(21) Appl. No.: **29/324,002**

The ornamental design for a connector assembly, as shown and described.

(22) Filed: **Sep. 4, 2008**

(51) **LOC (9) Cl.** **13-03**

(52) **U.S. Cl.** **D13/147**

(58) **Field of Classification Search** D13/133,
D13/147, 154, 184; 439/83, 188, 278, 297,
439/489, 595, 598, 685, 752, 871, 894
See application file for complete search history.

DESCRIPTION

FIG. 1 is a perspective view of a connector assembly showing our new design;

FIG. 2 is an exploded perspective view thereof;

FIG. 3 is a perspective view of a first part thereof;

FIG. 4 is a perspective view of a second part thereof;

FIG. 5 is a bottom view of the first part thereof;

FIG. 6 is a top view of the first part thereof; and,

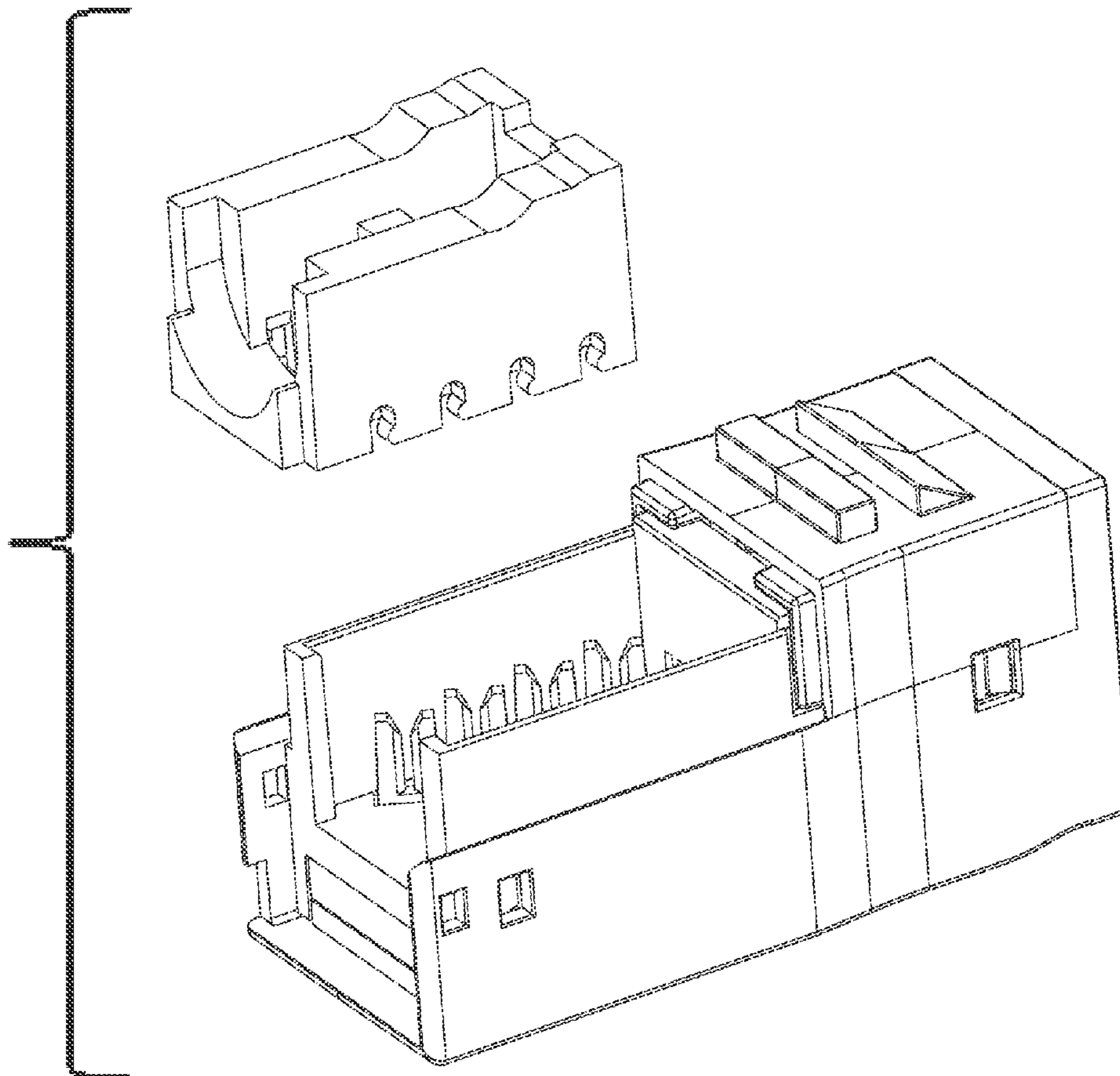
FIG. 7 is a top view of the second part thereof.

(56) **References Cited**

U.S. PATENT DOCUMENTS

D355,406 S * 2/1995 Smith D13/133
D388,767 S * 1/1998 Akins D13/133
D475,970 S * 6/2003 Li et al. D13/133

1 Claim, 7 Drawing Sheets



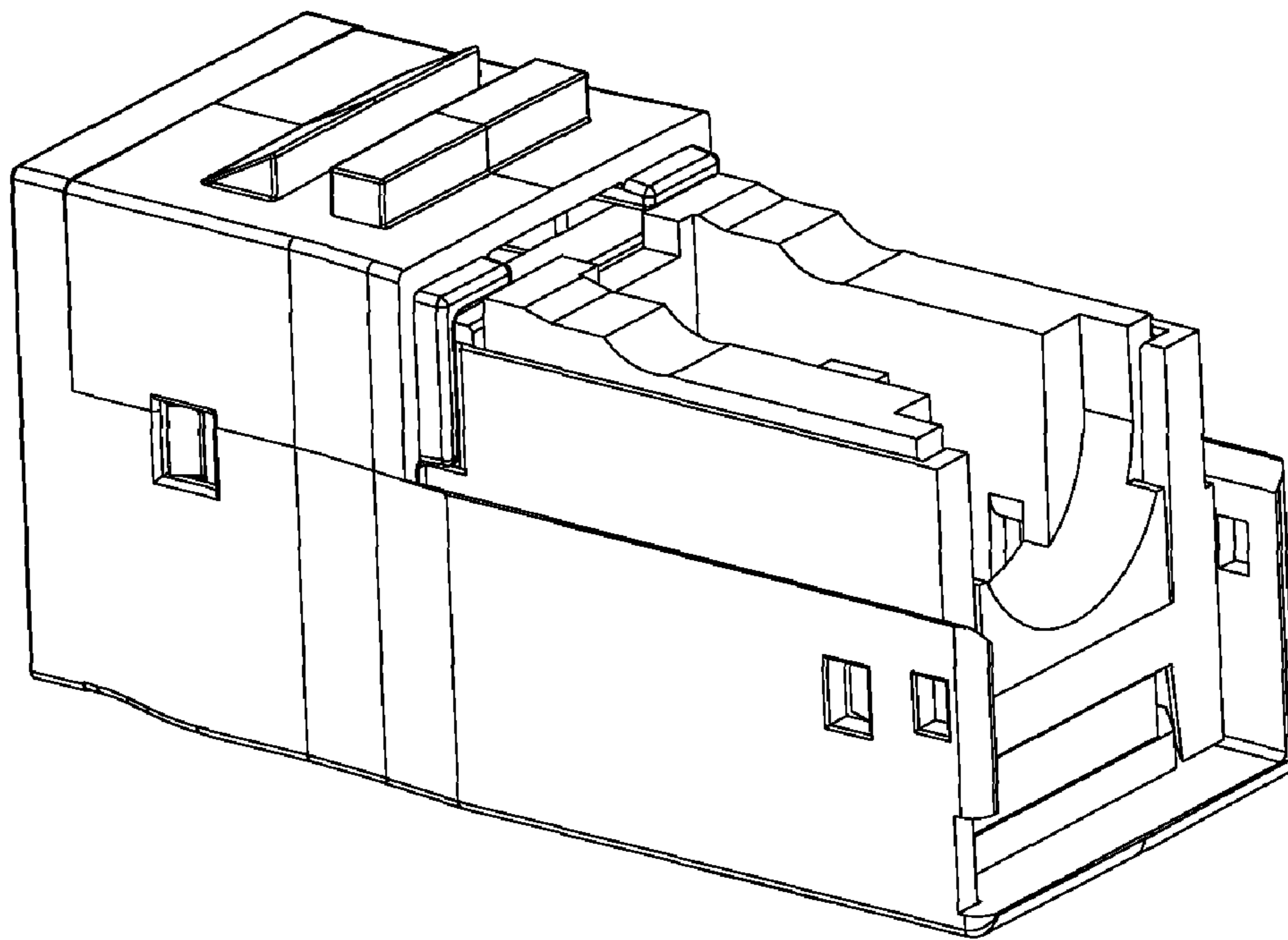


Fig. 1

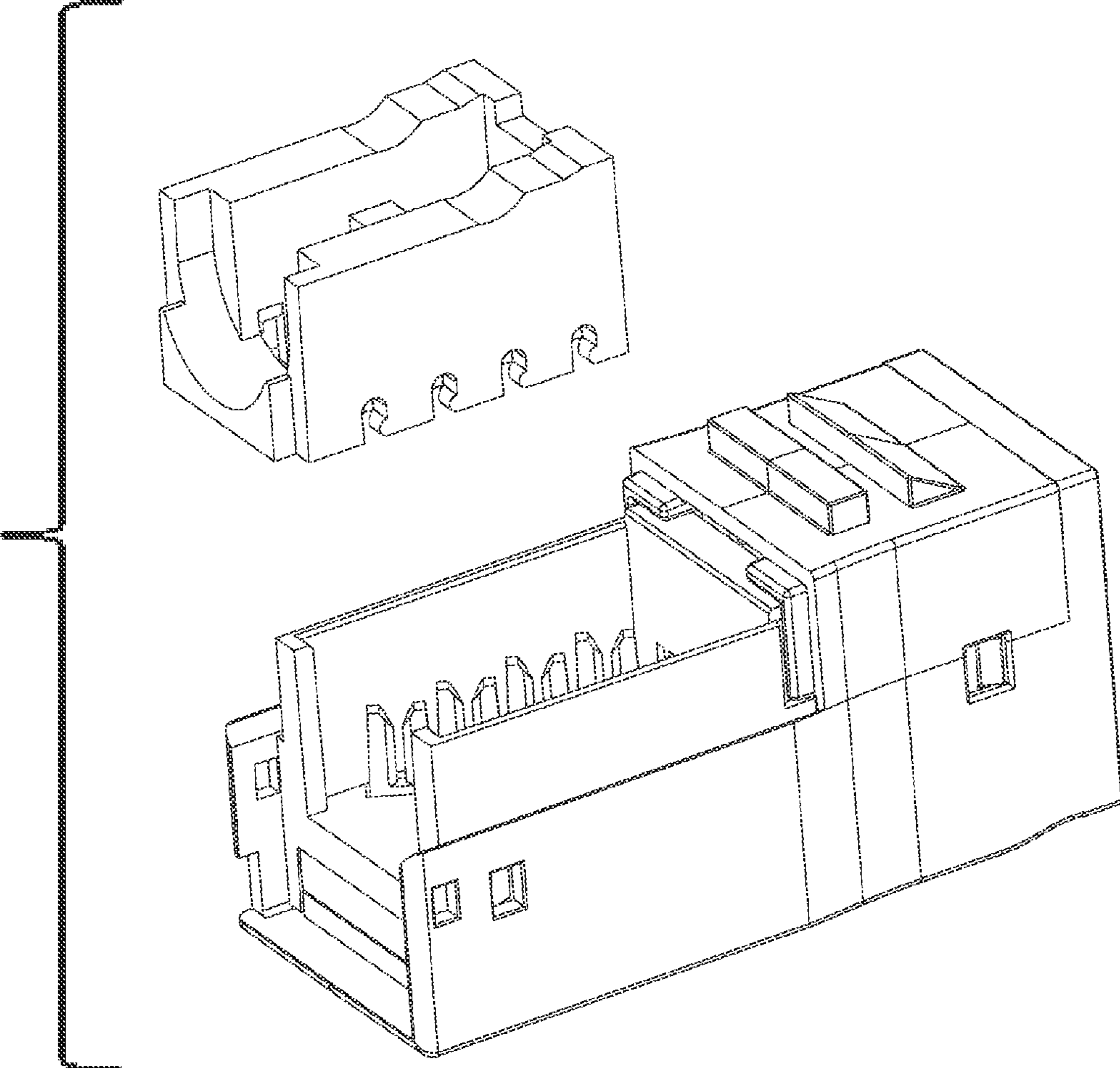


Fig. 2

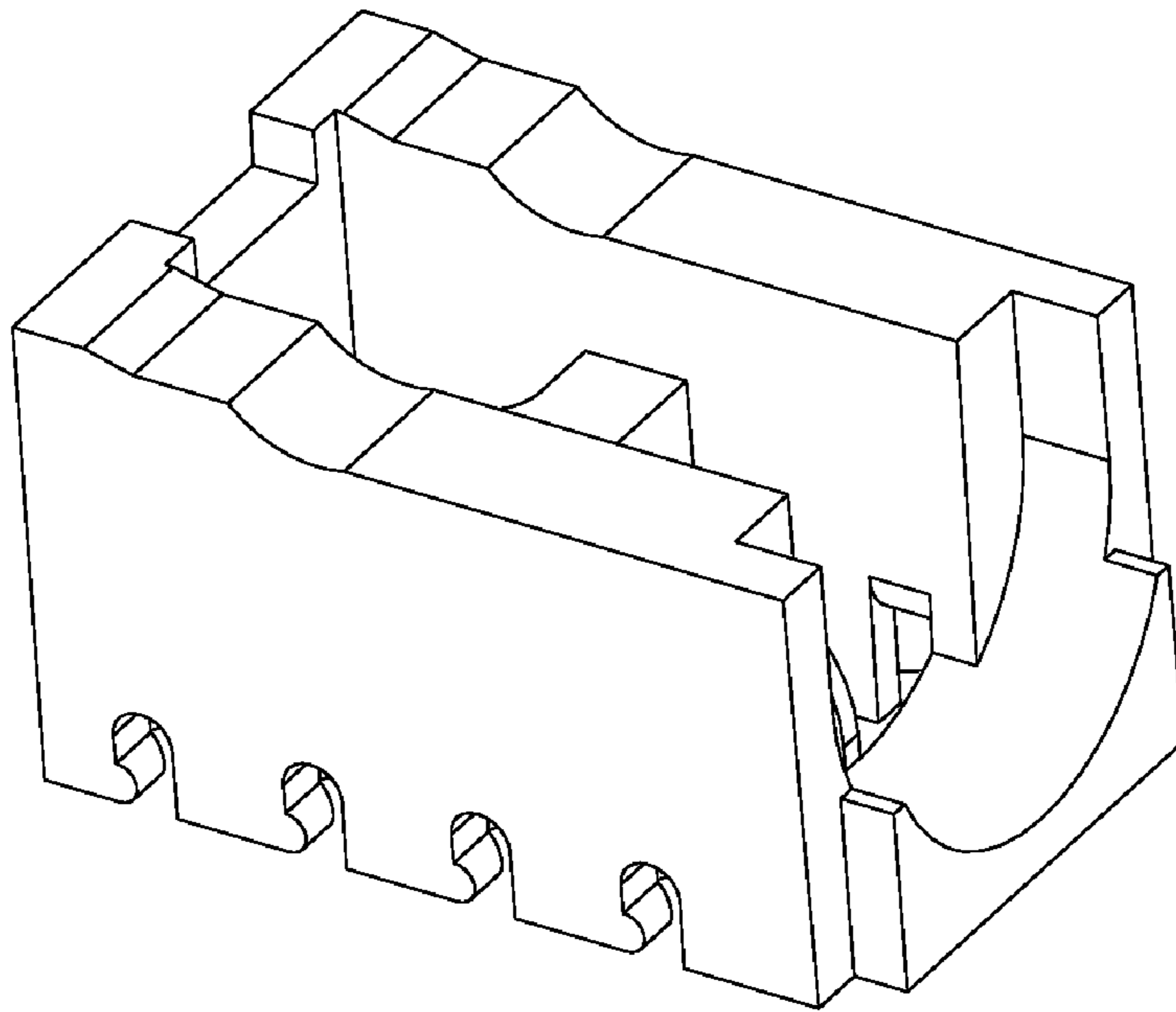


Fig. 3

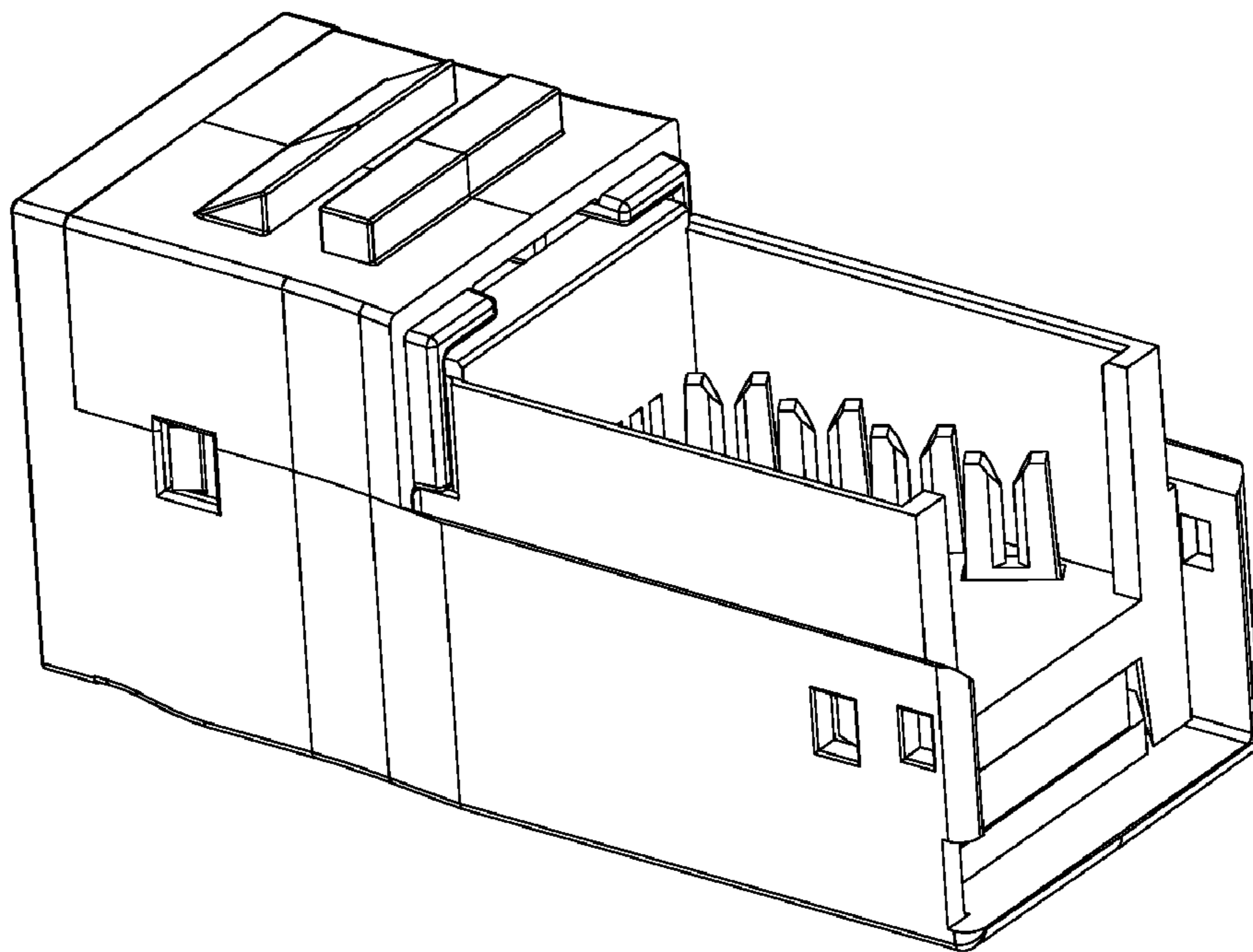


Fig. 4

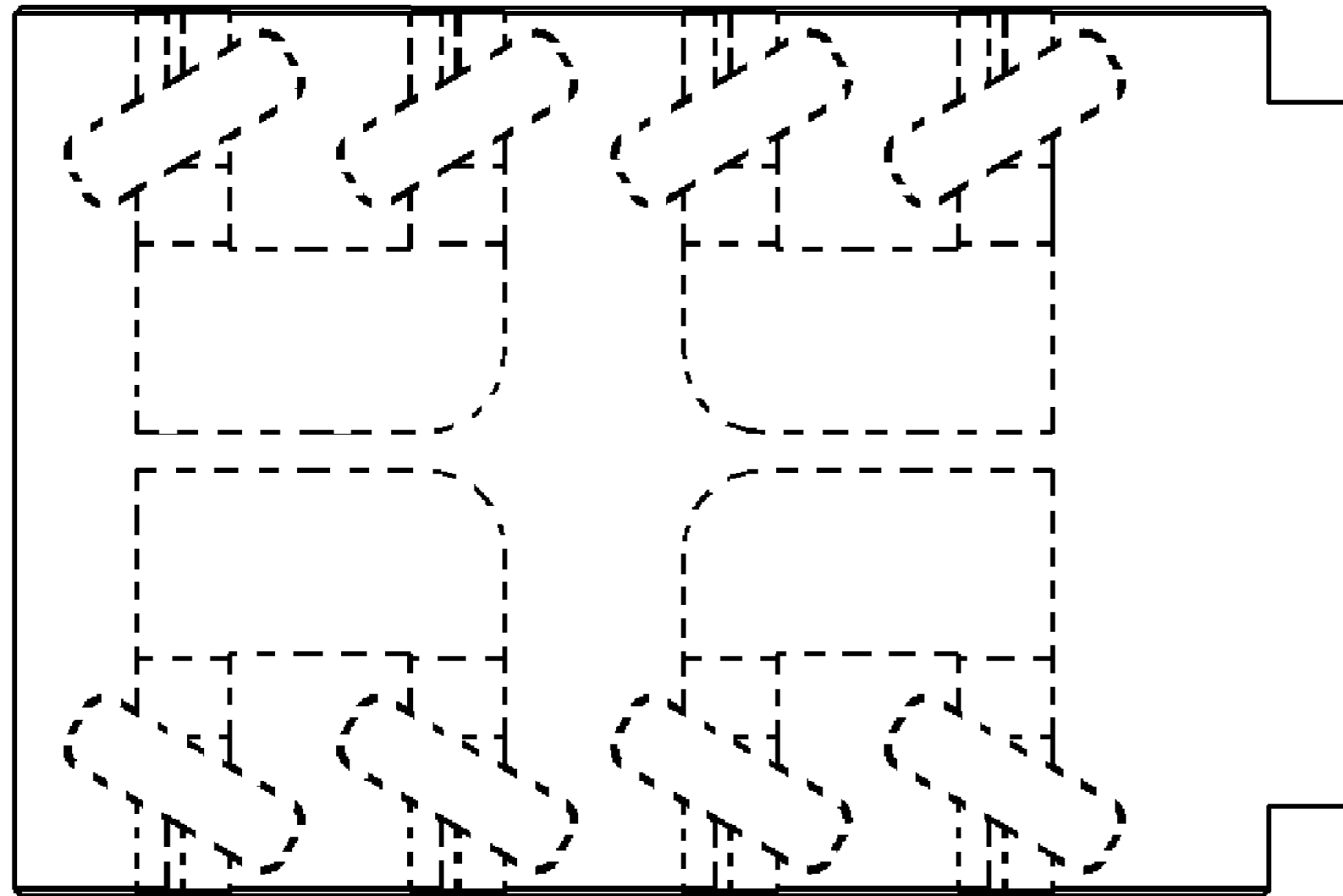


Fig. 5

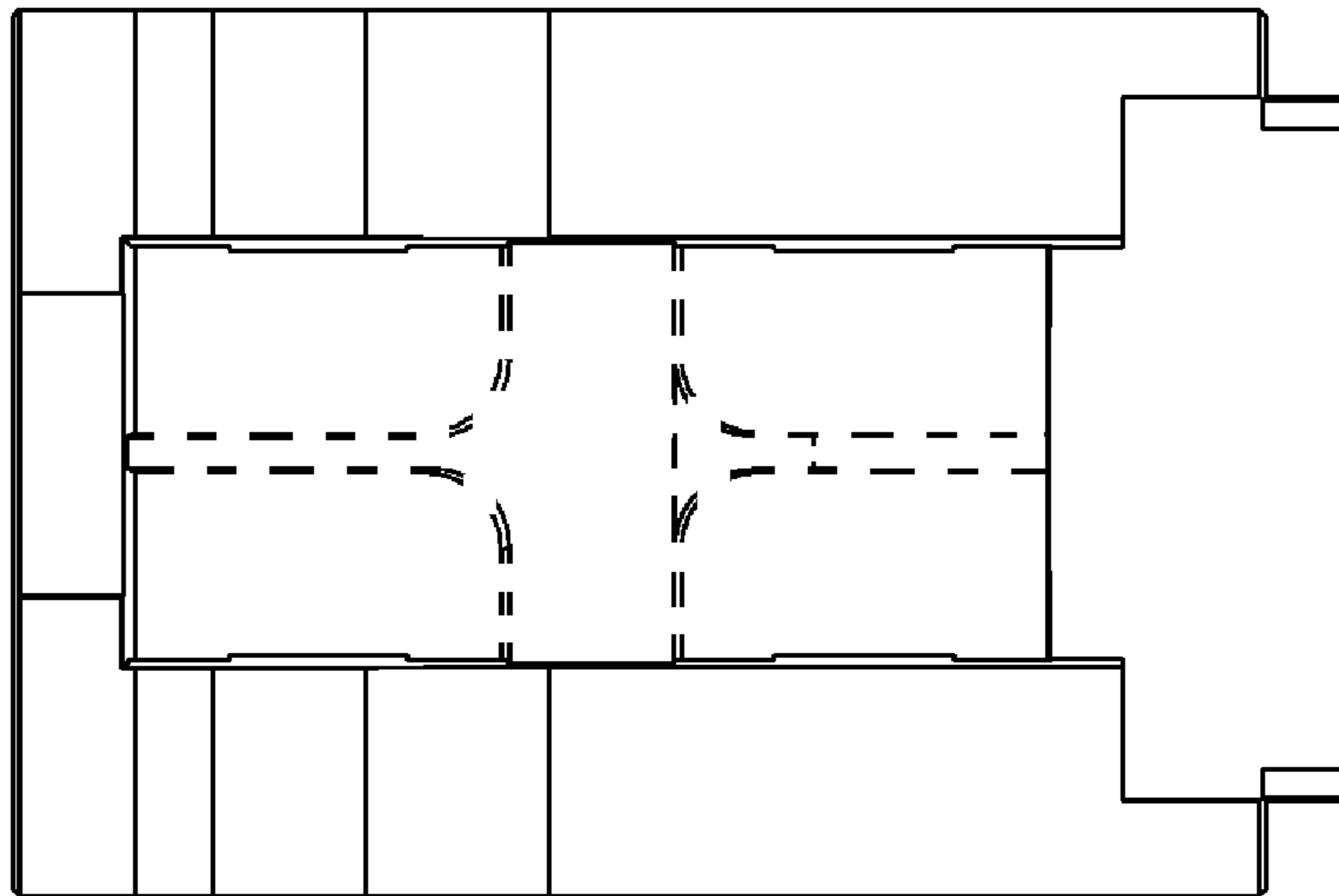


Fig. 6

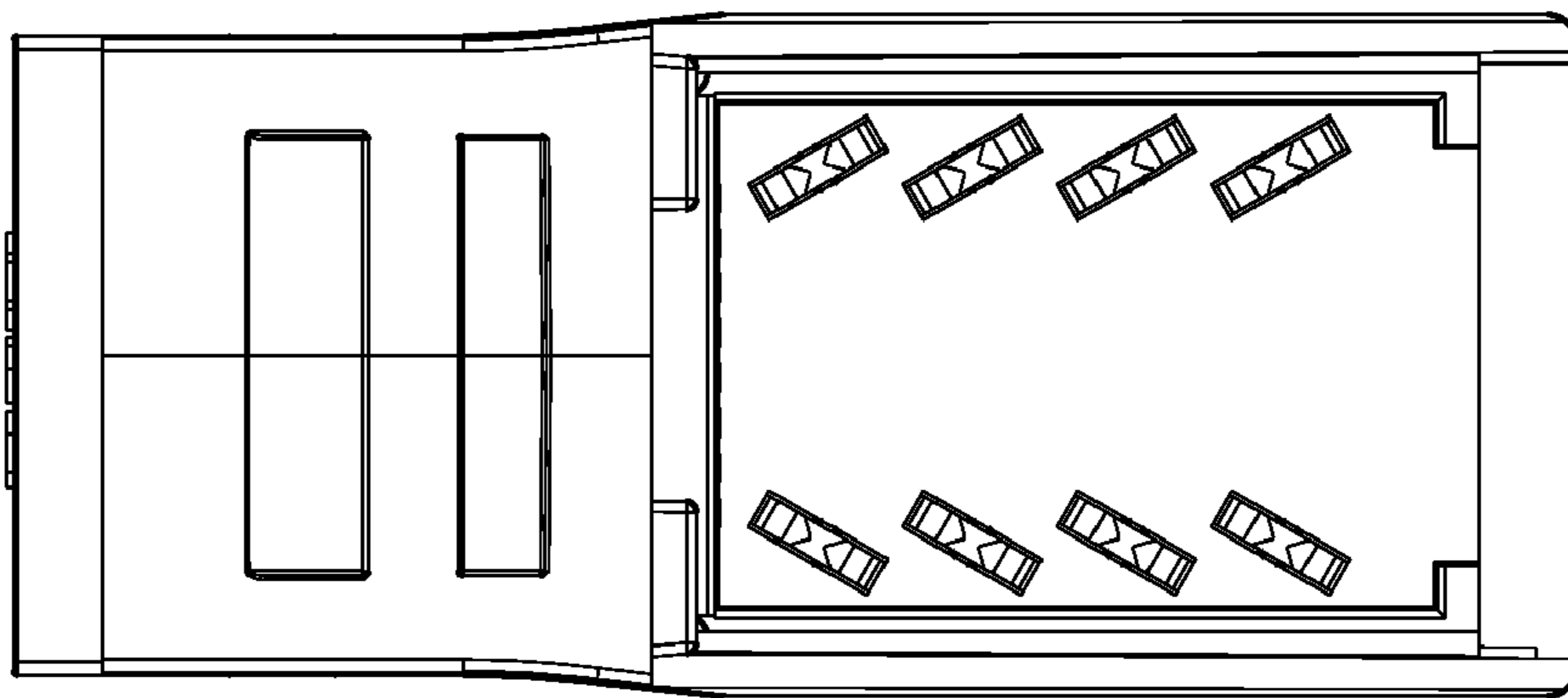


Fig. 7