



US00D626916S

(12) **United States Design Patent**  
**Hine**

(10) **Patent No.:** **US D626,916 S**

(45) **Date of Patent:** **\*\* Nov. 9, 2010**

(54) **CHARGER**

(75) Inventor: **David J Hine**, Syracuse, NY (US)

(73) Assignee: **Eveready Battery Co., Inc.**, St. Louis, MO (US)

(\*\*) Term: **14 Years**

(21) Appl. No.: **29/362,462**

(22) Filed: **May 26, 2010**

(51) **LOC (9) Cl.** ..... **13-02**

(52) **U.S. Cl.** ..... **D13/107**

(58) **Field of Classification Search** ..... D13/107-110,  
D13/118-119, 184; D14/251, 253, 432,  
D14/434, 435.1; 320/107-115

See application file for complete search history.

(56) **References Cited**

**U.S. PATENT DOCUMENTS**

D278,702 S *	5/1985	Chiodo et al. ....	D13/107
D278,703 S *	5/1985	Chiodo et al. ....	D13/107
4,766,361 A *	8/1988	Pusateri .....	320/110
D339,563 S *	9/1993	Usami .....	D13/107
D358,363 S *	5/1995	Usami .....	D13/107
D375,934 S *	11/1996	Rosen et al. ....	D13/107
D443,856 S *	6/2001	Lehtovaara .....	D13/107

D478,557 S *	8/2003	Pfeiffer .....	D13/107
D540,742 S *	4/2007	Bell .....	D13/107
D559,177 S *	1/2008	Ueda .....	D13/107
D564,960 S *	3/2008	Sacco et al. ....	D13/107

\* cited by examiner

*Primary Examiner*—Rosemary K Tarca

(74) *Attorney, Agent, or Firm*—Gregory J. Adams

(57) **CLAIM**

I claim the ornamental design for a charger, as shown and described.

**DESCRIPTION**

FIG. 1 is a front perspective view of the charger.

FIG. 2 is a bottom perspective view of the charger.

FIG. 3 is a front view of the charger.

FIG. 4 is a rear view of the charger.

FIG. 5 is a left side view of the charger.

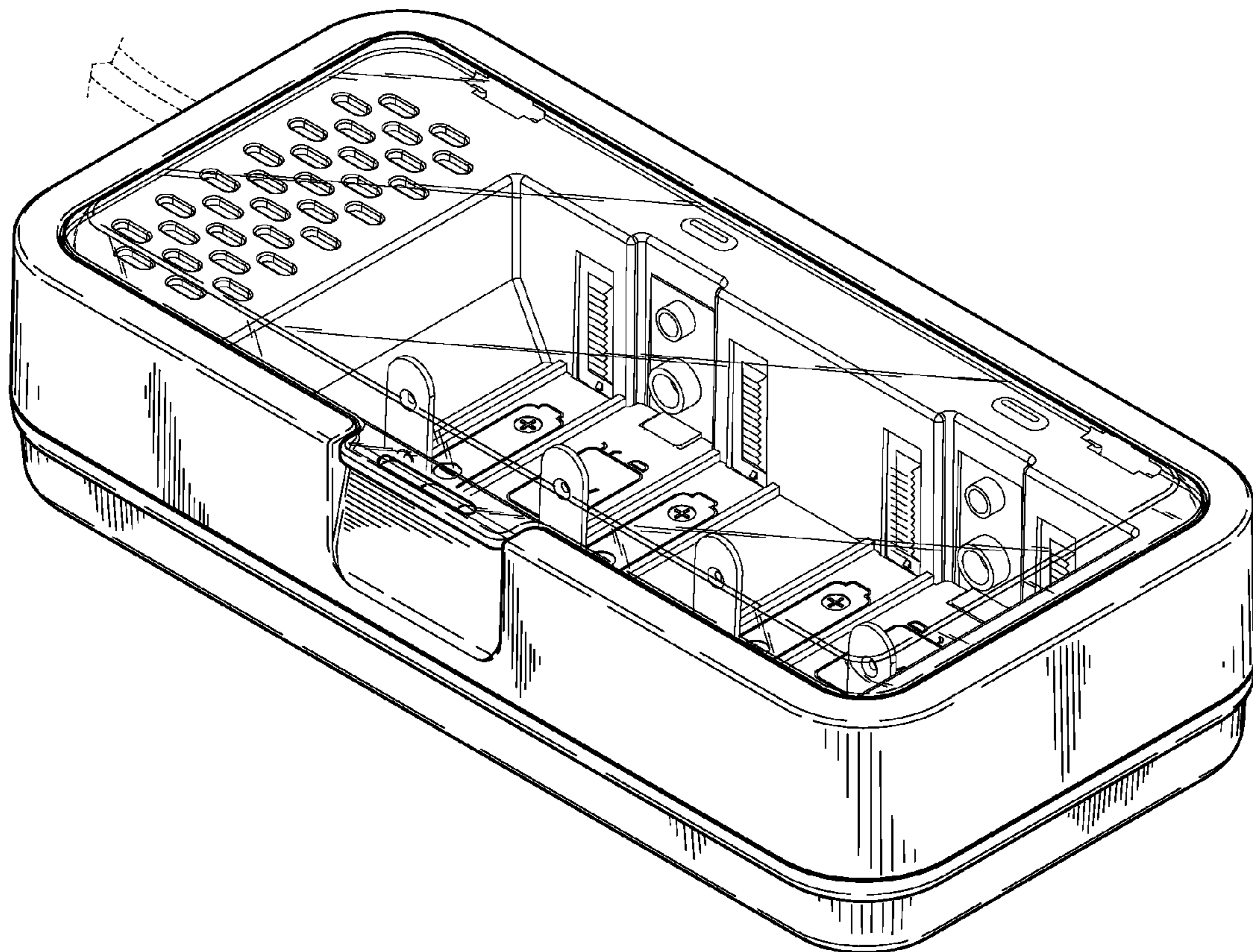
FIG. 6 is a right side view of the charger.

FIG. 7 is a top view of the charger; and,

FIG. 8 is a bottom view of the charger.

Any broken line(s) shown are for illustrative purposes only and form no part of the claimed design.

**1 Claim, 3 Drawing Sheets**



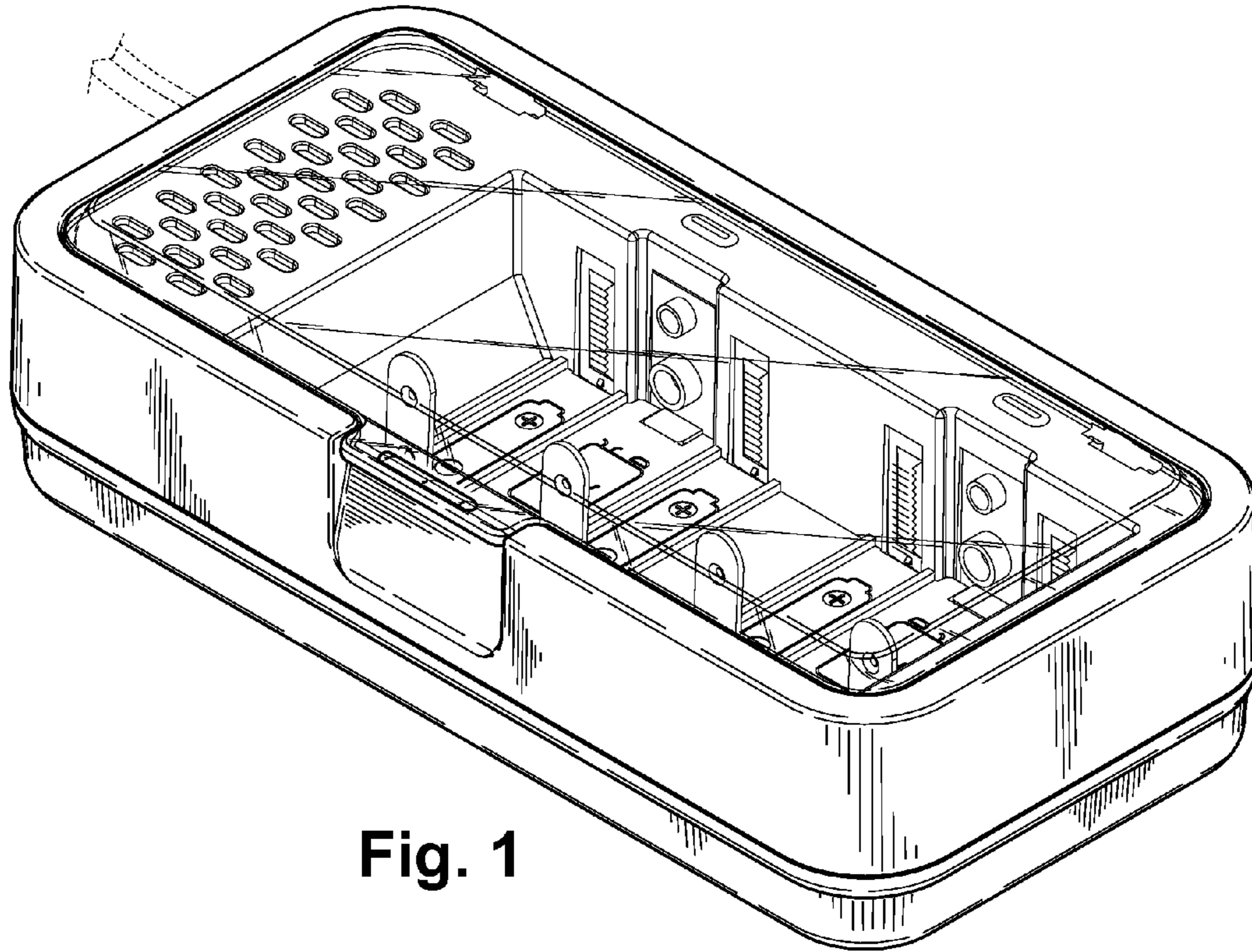


Fig. 1

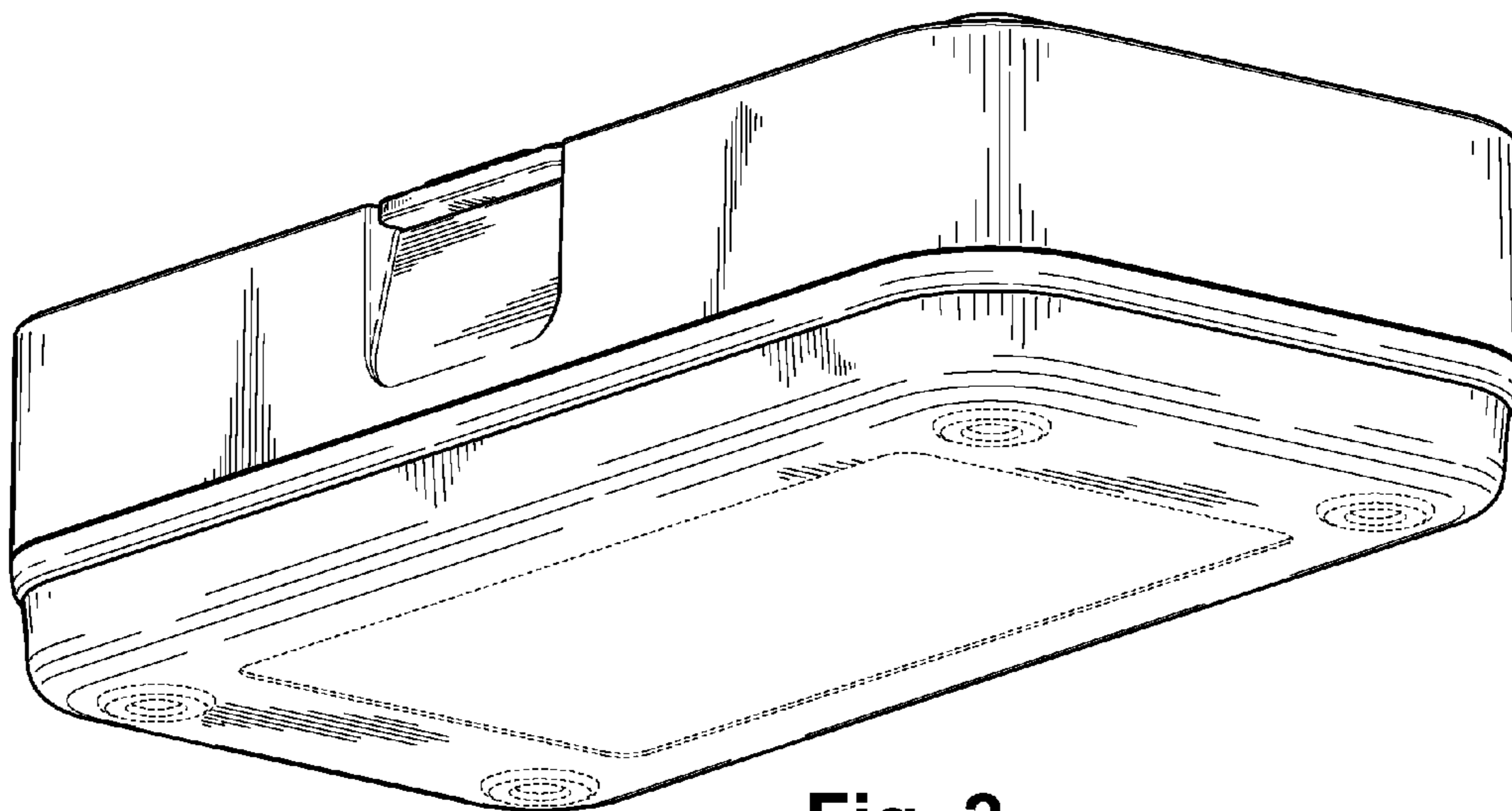


Fig. 2

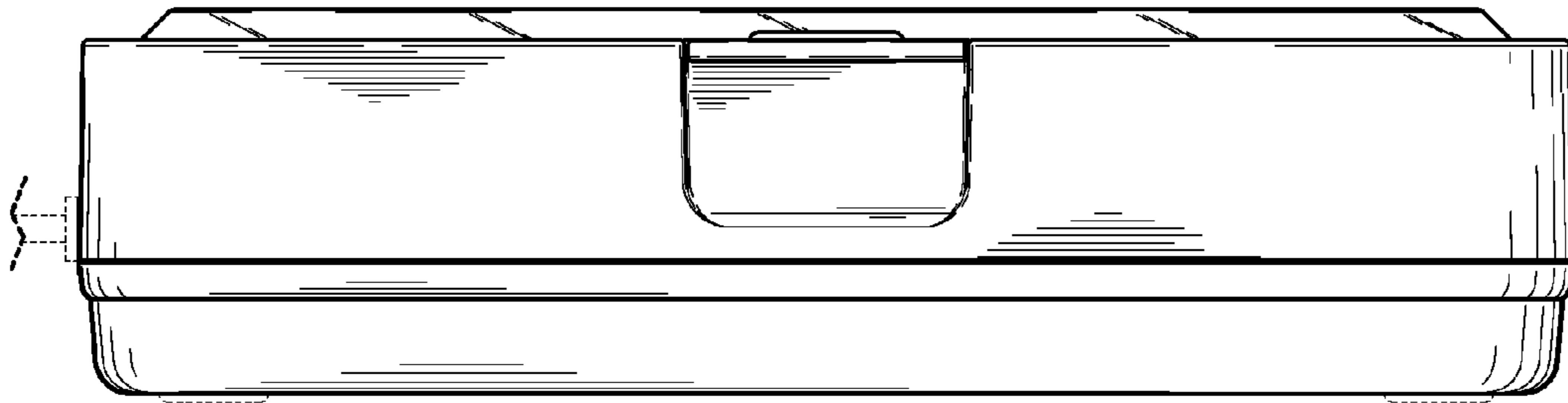


Fig. 3



Fig. 4

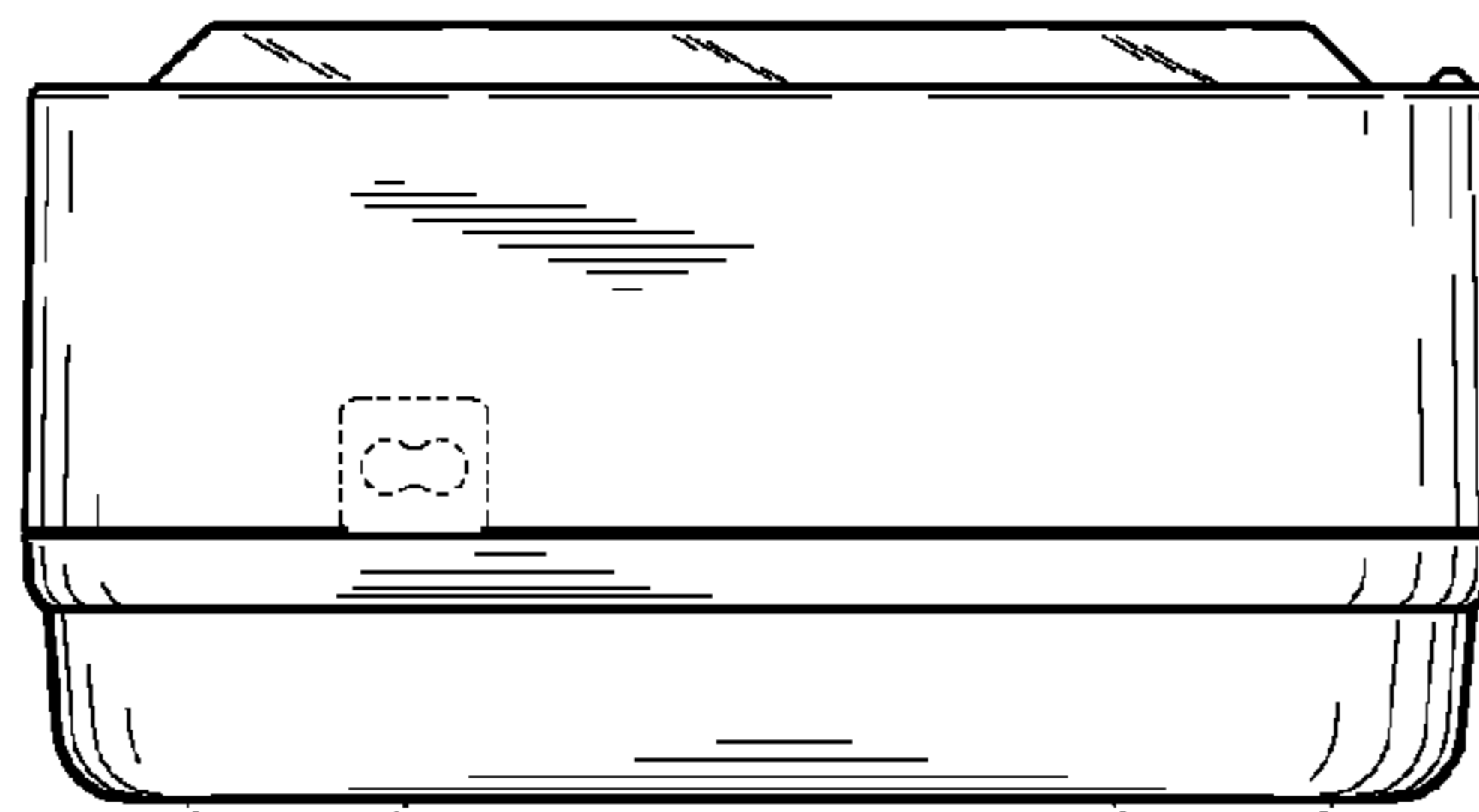


Fig. 5

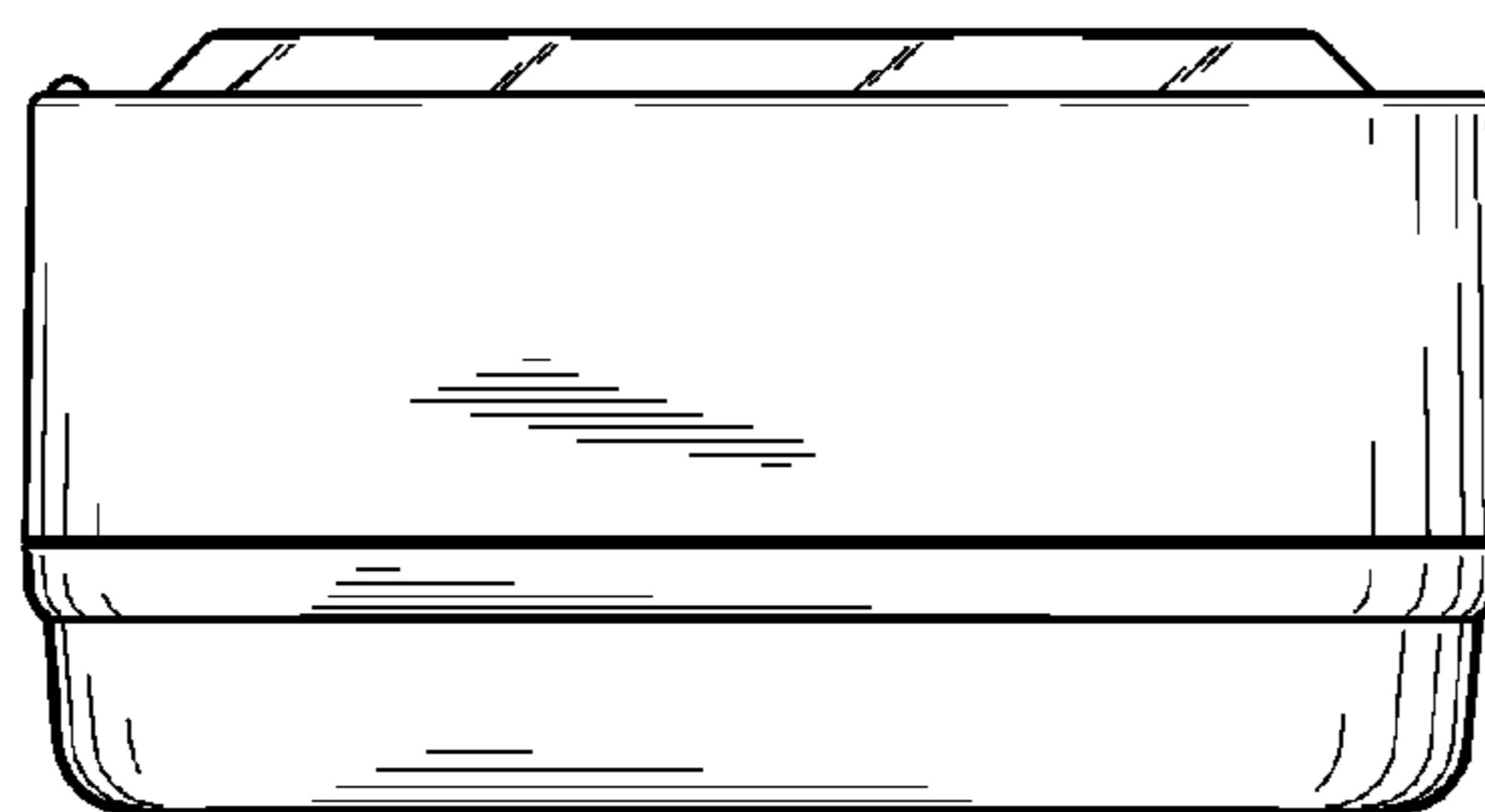


Fig. 6

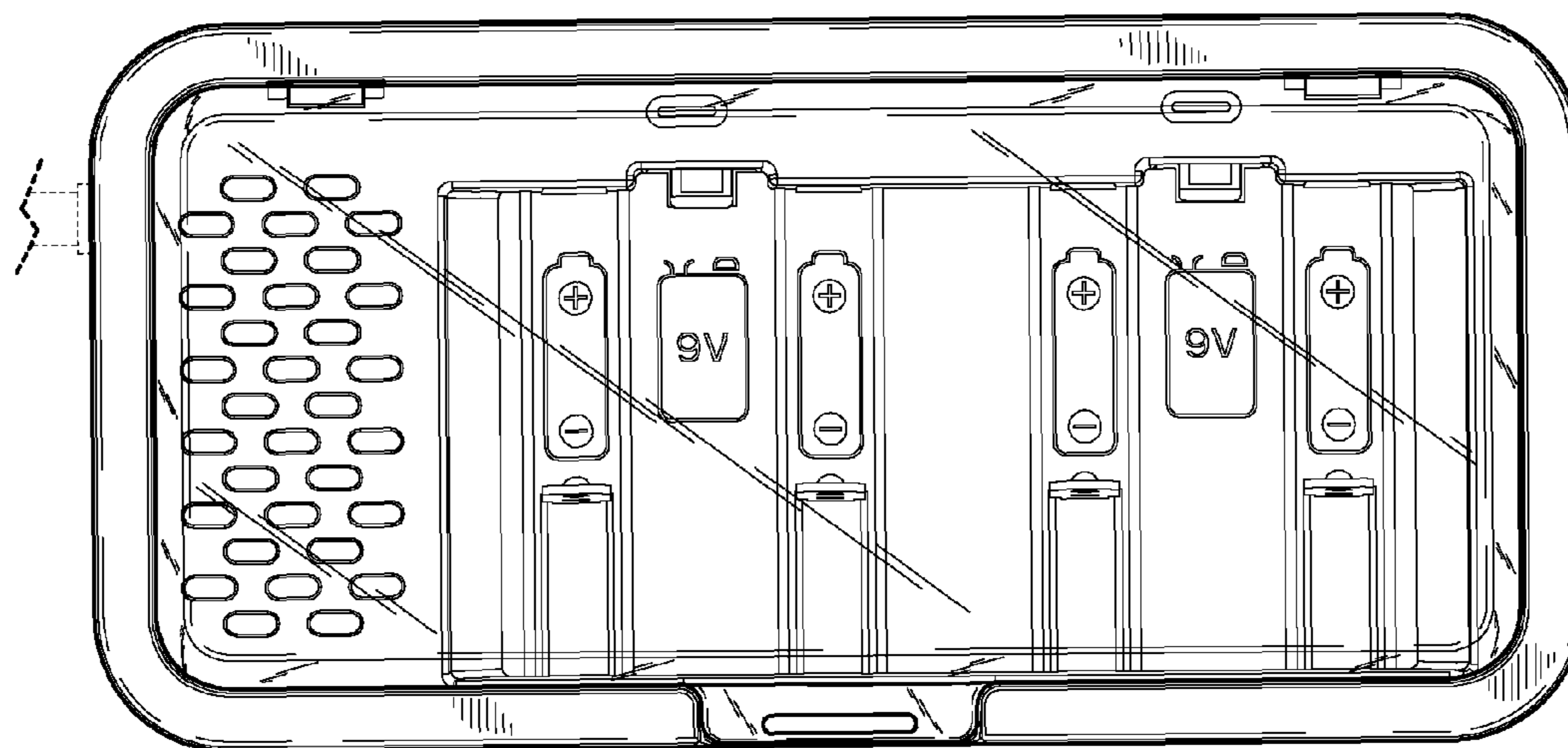


Fig. 7

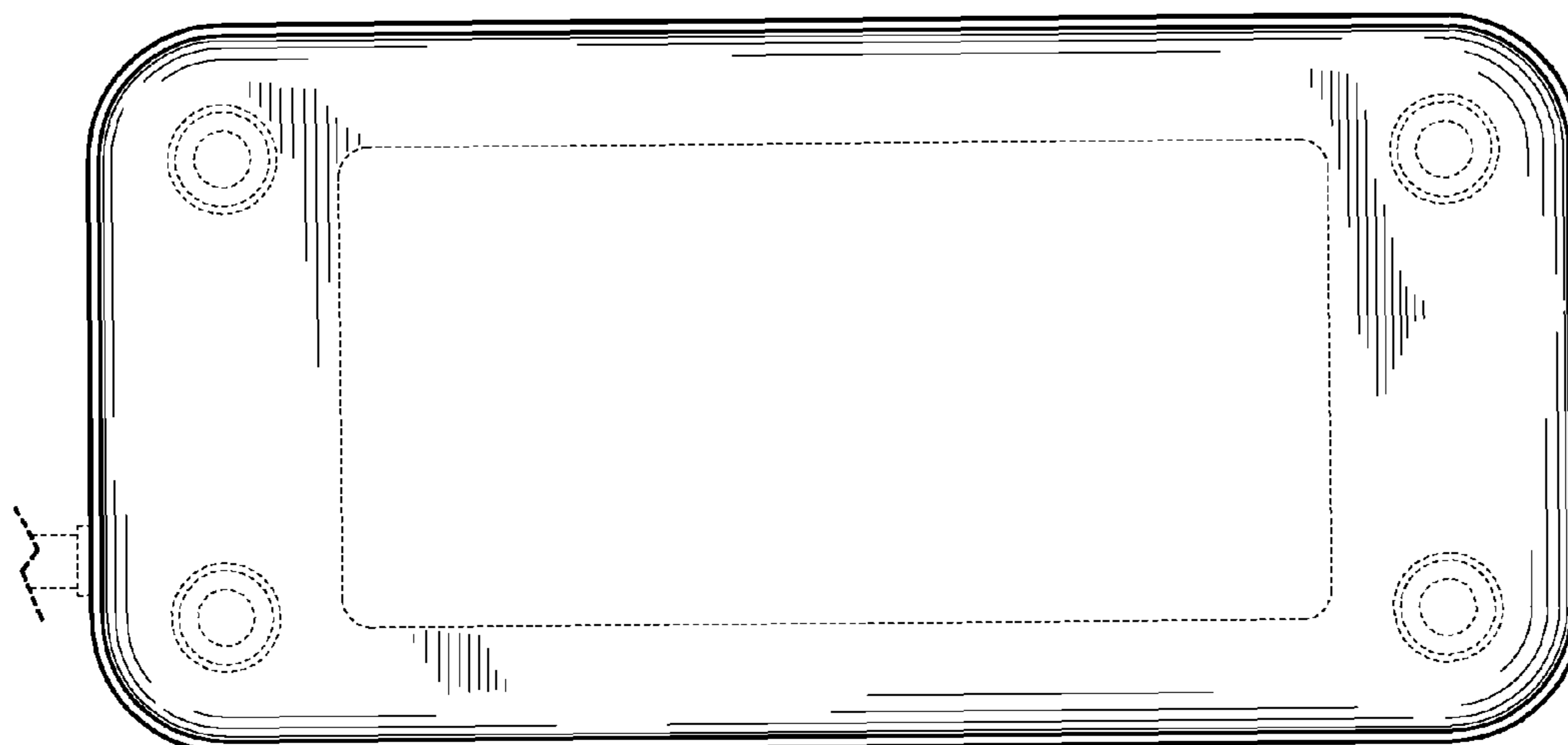


Fig. 8