



US00D626915S

(12) **United States Design Patent**
Hadlauer

(10) **Patent No.:** **US D626,915 S**
(45) **Date of Patent:** **** Nov. 9, 2010**

(54) **SOLAR COLLECTOR ARRAY AND SUPPORT BODY SUPPORTING THE SOLAR COLLECTOR ARRAY**

(76) Inventor: **Martin Hadlauer**, Proleber Str. 58,
Leoben (AT) 8700

(**) Term: **14 Years**

(21) Appl. No.: **29/344,397**

(22) Filed: **Sep. 29, 2009**

(30) **Foreign Application Priority Data**

Mar. 31, 2009 (EM) 001115786

(51) **LOC (9) Cl.** **13-02**

(52) **U.S. Cl.** **D13/102**

(58) **Field of Classification Search** D13/102,
D13/101, 184, 199; 52/173.3; 126/569-578,
126/580, 680, 682, 683, 685, 689; 136/206,
136/244-251, 256, 291, 292

See application file for complete search history.

(56) **References Cited**

U.S. PATENT DOCUMENTS

4,252,107 A * 2/1981 Horton 126/605
D279,214 S * 6/1985 Hanson D13/102
D288,593 S * 3/1987 Campbell D13/102

D288,956 S * 3/1987 Wadleigh D13/102
4,947,825 A * 8/1990 Moriarty 126/685
5,685,151 A * 11/1997 Ross 60/641.8
D425,013 S * 5/2000 Lai D13/102
6,363,928 B1 * 4/2002 Anderson, Jr. 126/577
7,055,519 B2 * 6/2006 Litwin 126/683
D563,866 S * 3/2008 Bonnaud D13/102
D565,505 S * 4/2008 Shugar et al. D13/102

* cited by examiner

Primary Examiner—Prabhakar Deshmukh

Assistant Examiner—Derrick Holland

(57) **CLAIM**

The ornamental design for a solar collector array and support body supporting the solar collector array, as shown and described.

DESCRIPTION

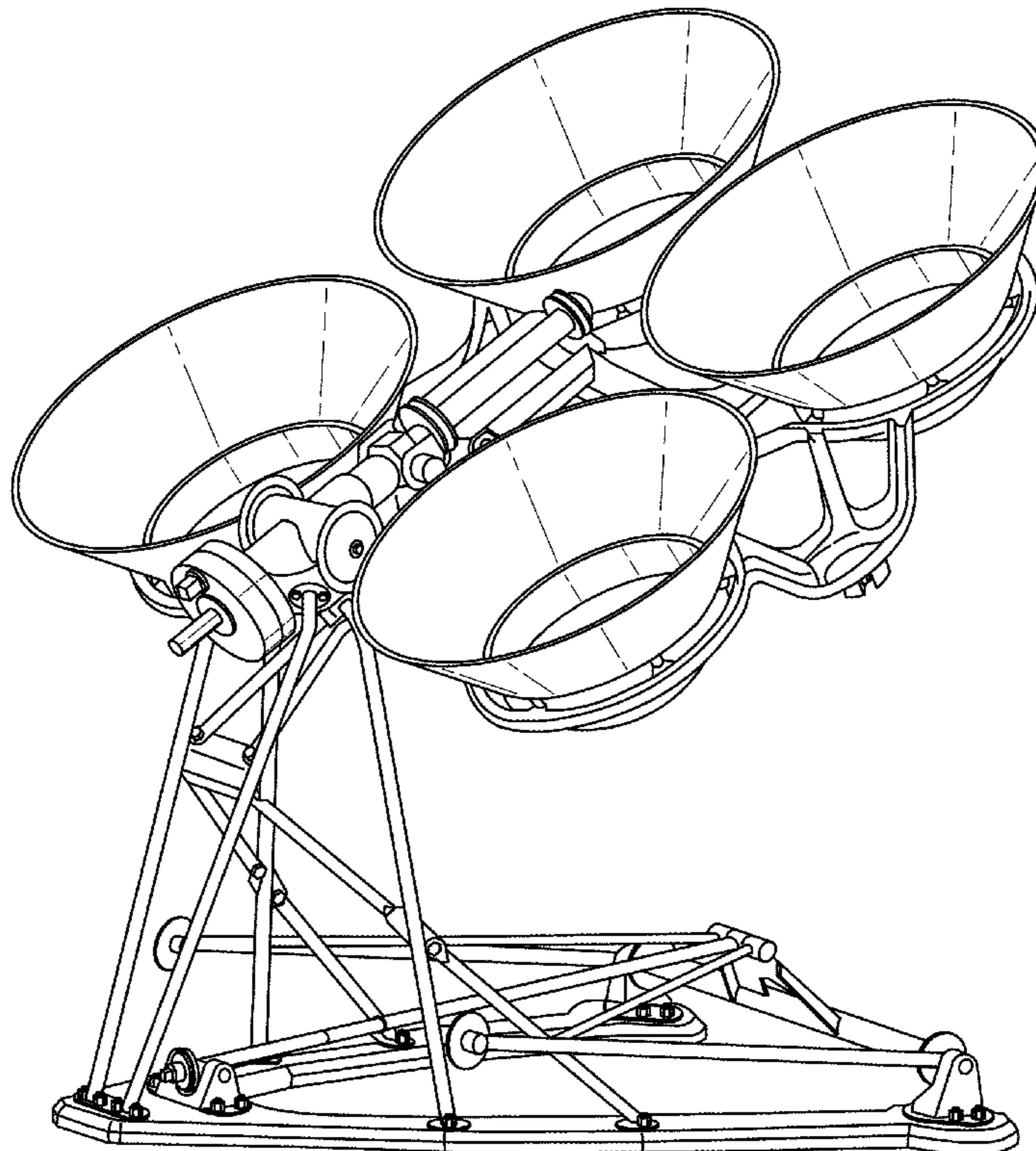
FIG. 1 is a front perspective view of a solar collector array and support body supporting the solar collector array showing my new design;

FIG. 2 is a left-side elevation view thereof, the right side being a mirror image;

FIG. 3 is a rear perspective view thereof; and,

FIG. 4 is another rear perspective view thereof, shown in a stowed position.

1 Claim, 4 Drawing Sheets



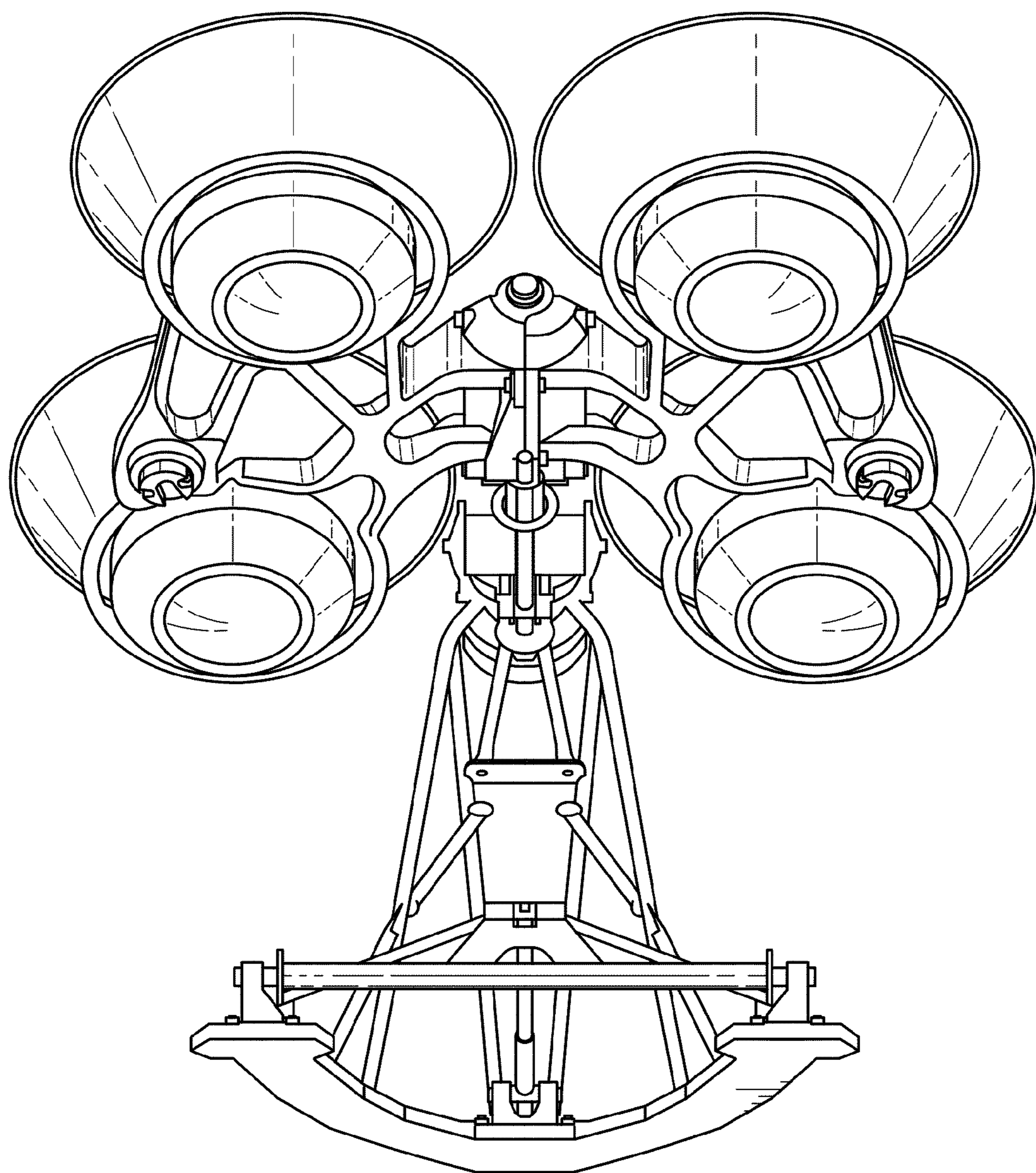


FIG. 1

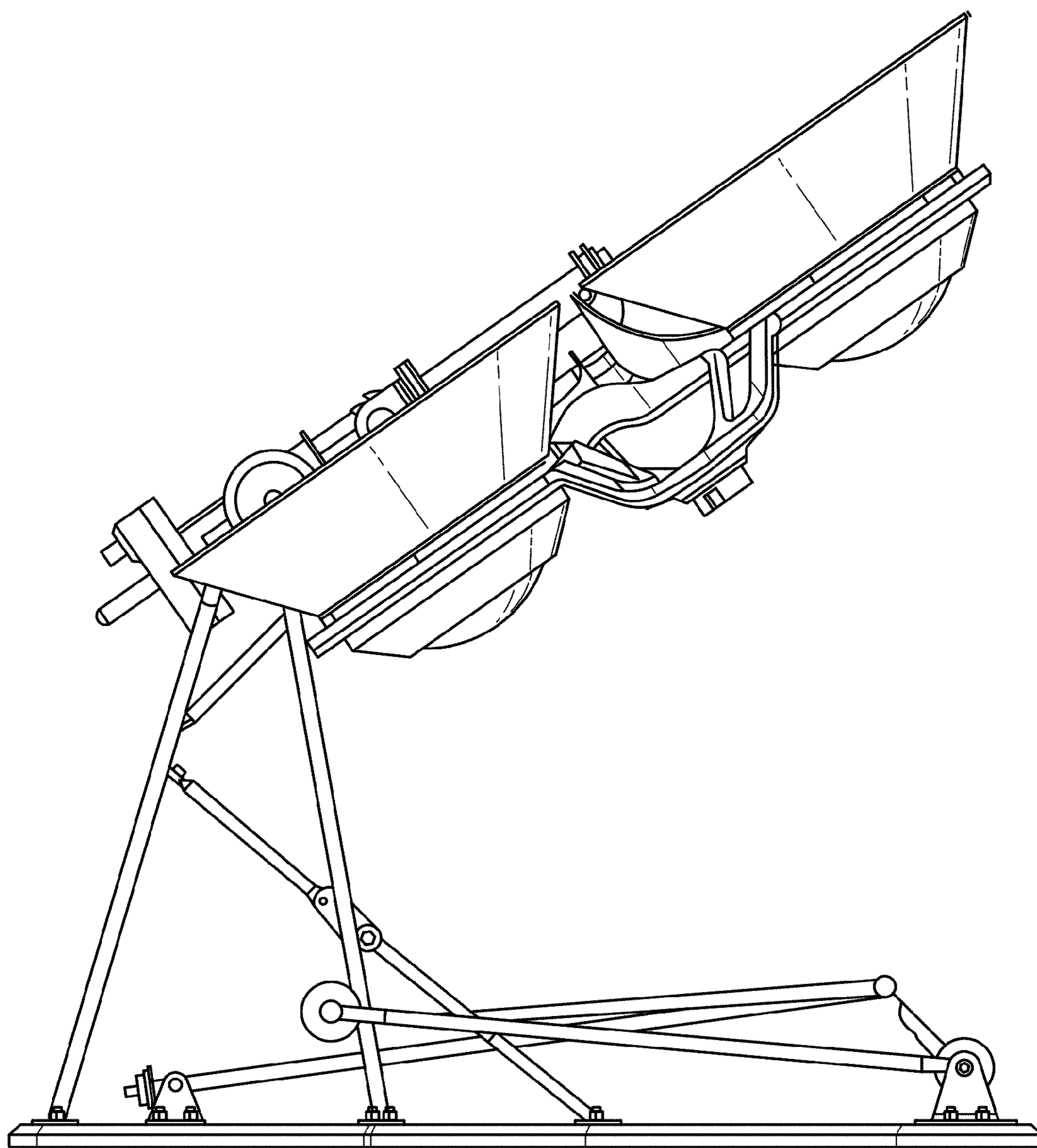


FIG. 2

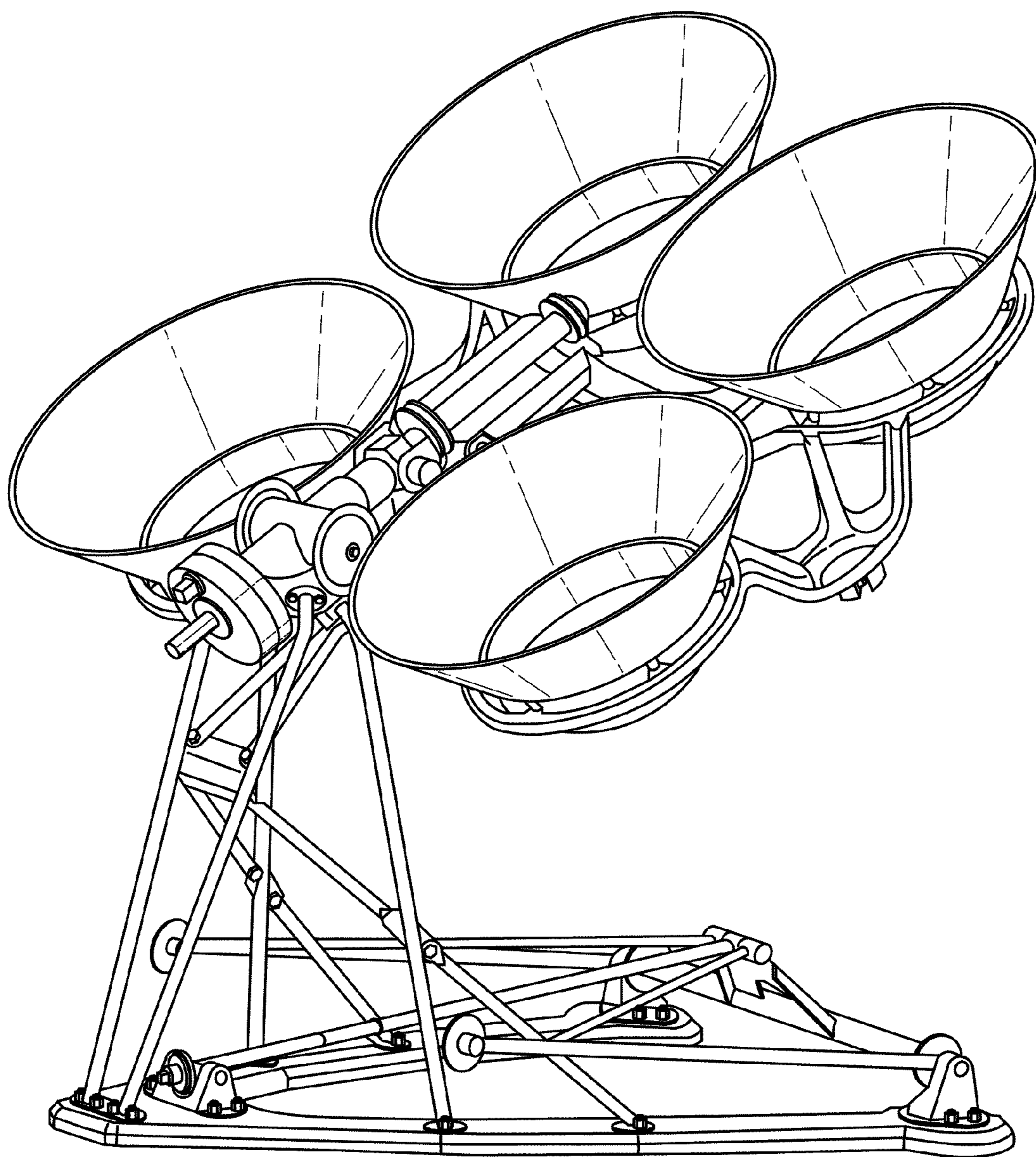


FIG. 3

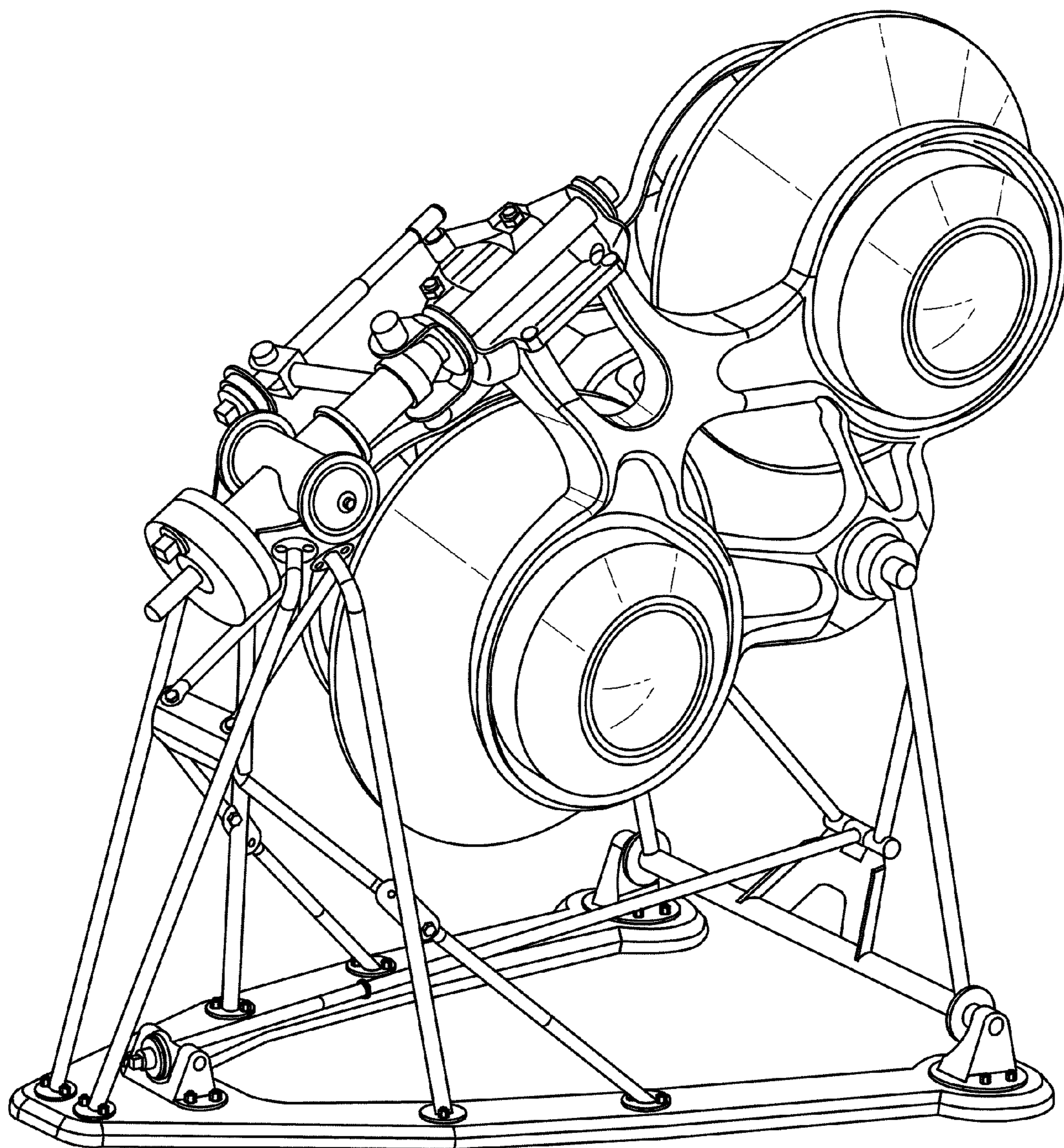


FIG. 4