



US00D626913S

(12) **United States Design Patent**
Osaka

(10) **Patent No.:** **US D626,913 S**
(45) **Date of Patent:** **** *Nov. 9, 2010**

- (54) **TIRE**
- (75) Inventor: **Kazuko Osaka**, Osaka (JP)
- (73) Assignee: **Toyo Tire & Rubber Co., Ltd.**, Osaka (JP)
- (*) Notice: This patent is subject to a terminal disclaimer.
- (**) Term: **14 Years**
- (21) Appl. No.: **29/334,700**
- (22) Filed: **Mar. 31, 2009**
- (30) **Foreign Application Priority Data**
Feb. 9, 2009 (JP) 2009-002608
- (51) **LOC (9) Cl.** **12-15**
- (52) **U.S. Cl.** **D12/600**
- (58) **Field of Classification Search** D12/568-603;
152/209.1, 209.5, 209.8, 209.12, 209.18,
152/209.21, 209.9
See application file for complete search history.

- D567,750 S 4/2008 Dixon
- D578,957 S 10/2008 Bonko et al.
- D580,347 S 11/2008 Lo
- D593,485 S * 6/2009 Davidson et al. D12/579

OTHER PUBLICATIONS

- U.S. Appl. No. 29/334,691, Osaka, Tire, filed Mar. 31, 2009.
- U.S. Appl. No. 29/334,695, Osaka, Tire, filed Mar. 31, 2009.
- U.S. Appl. No. 29/334,698, Osaka, Tire, filed Mar. 31, 2009.

* cited by examiner

Primary Examiner—Caron Veynar
Assistant Examiner—George D Kirschbaum
 (74) *Attorney, Agent, or Firm*—Sterne Kessler Goldstein & Fox PLLC

(57) **CLAIM**

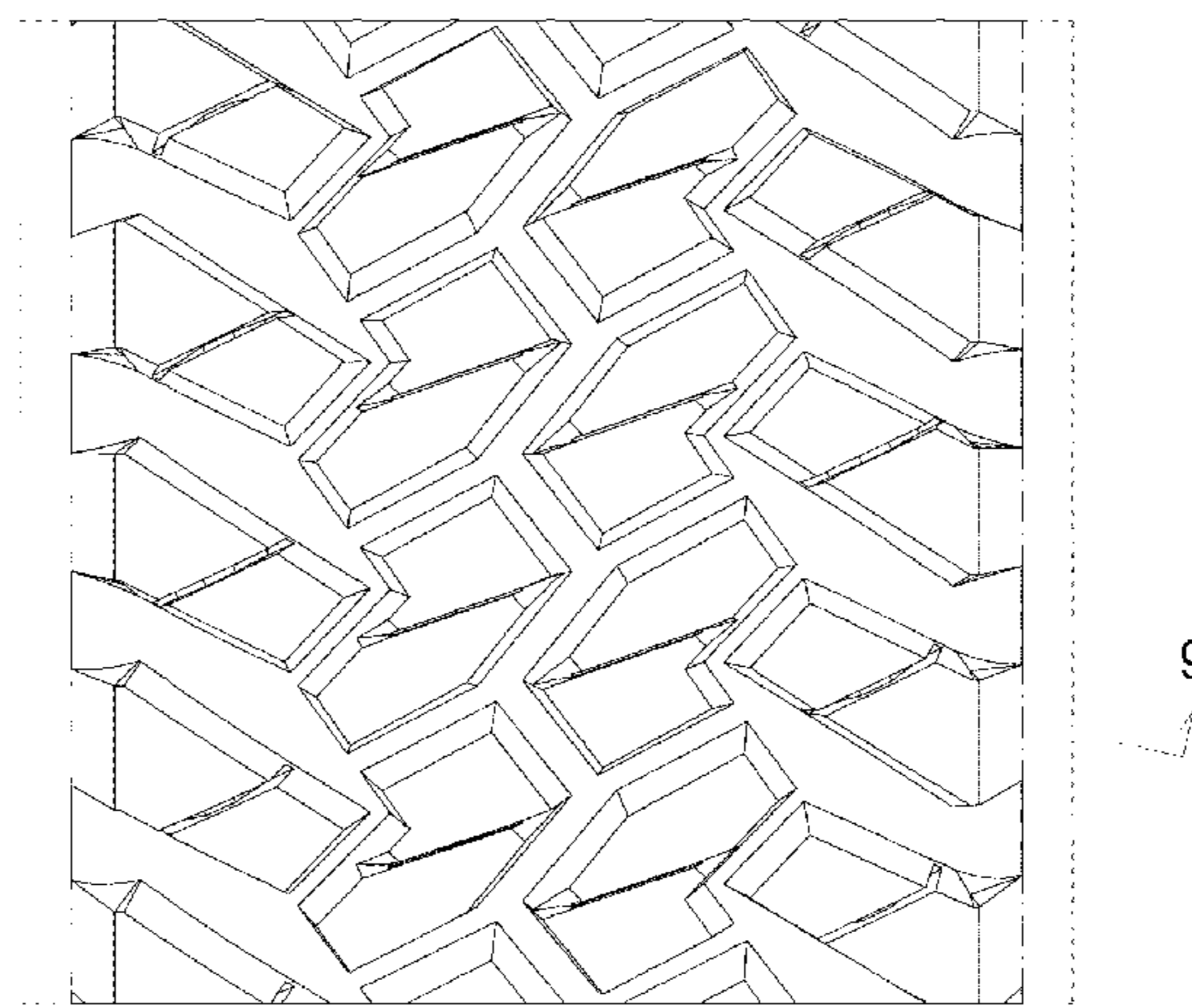
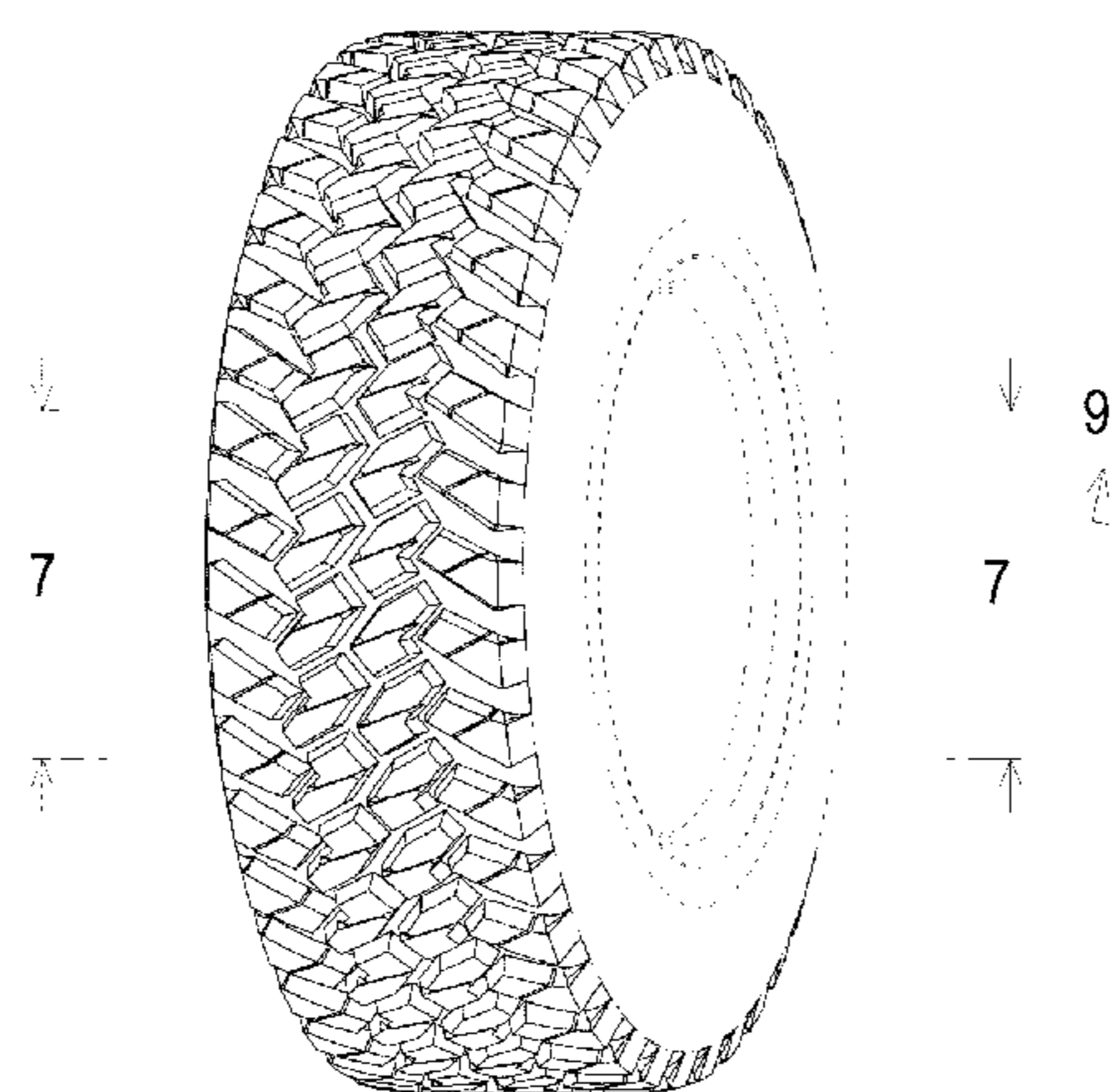
The ornamental design for a tire, as shown and described.

DESCRIPTION

FIG. 1 is a perspective view of a tire showing my new design;
 FIG. 2 is a front view thereof;
 FIG. 3 is a rear view thereof;
 FIG. 4 is a right side view thereof;
 FIG. 5 is a left side view thereof;
 FIG. 6 is a top plan view thereof, for which the bottom plan view is a mirror image;
 FIG. 7 is an enlarged sectional view of the intersection of areas 7—7 in FIGS. 1 and 7'—7' in FIG. 4;
 FIG. 8 is an enlarged sectional view taken along line 8—8 in FIG. 2; and,
 FIG. 9 is an enlarged cross-sectional view taken along line 7'—7' in FIG. 4 and line 9—9 in FIG. 8.
 In the drawings, the broken lines defining the sidewall, and inner bead depict environmental subject matter that forms no part of the claimed design.

1 Claim, 5 Drawing Sheets

- (56) **References Cited**
U.S. PATENT DOCUMENTS
- D337,978 S 8/1993 Himuro et al.
- D414,727 S 10/1999 Brown et al.
- D430,832 S 9/2000 Edwards
- D444,426 S 7/2001 Marazzi et al.
- D447,447 S 9/2001 Guspodin et al.
- D450,273 S 11/2001 Guspodin et al.
- D453,311 S 2/2002 Guspodin et al.
- D455,117 S 4/2002 Guspodin et al.
- D457,486 S 5/2002 Guspodin et al.
- D487,056 S 2/2004 Rooney et al.
- 6,920,906 B2 * 7/2005 Allison et al. 152/209.16
- D530,265 S 10/2006 Hutz et al.
- D530,266 S 10/2006 Hutz et al.
- D548,172 S 8/2007 Dixon et al.
- D556,124 S 11/2007 Thum et al.
- D556,673 S 12/2007 Missik-Gaffney et al.
- D556,674 S 12/2007 Missik-Gaffney et al.



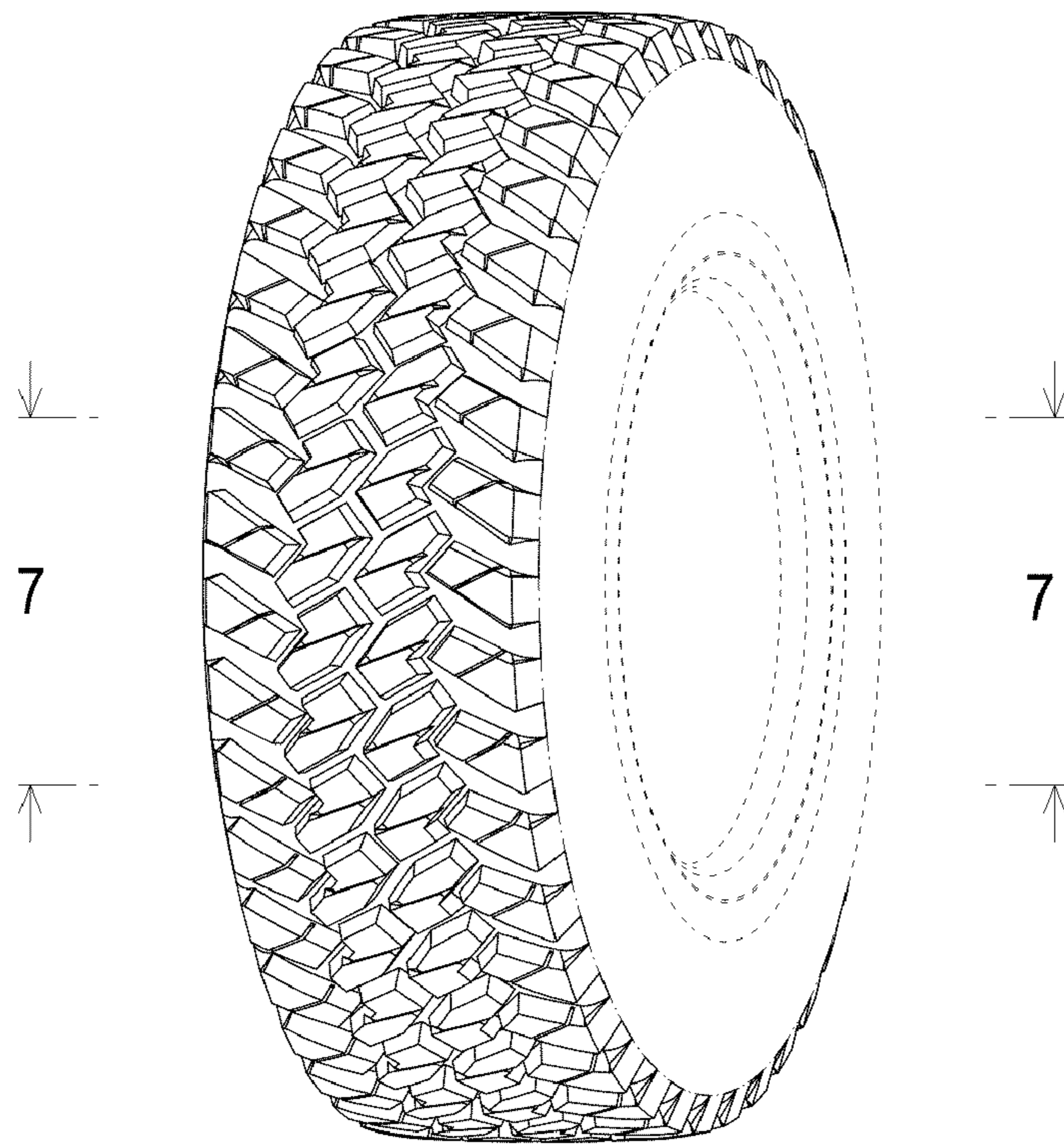


FIGURE 1

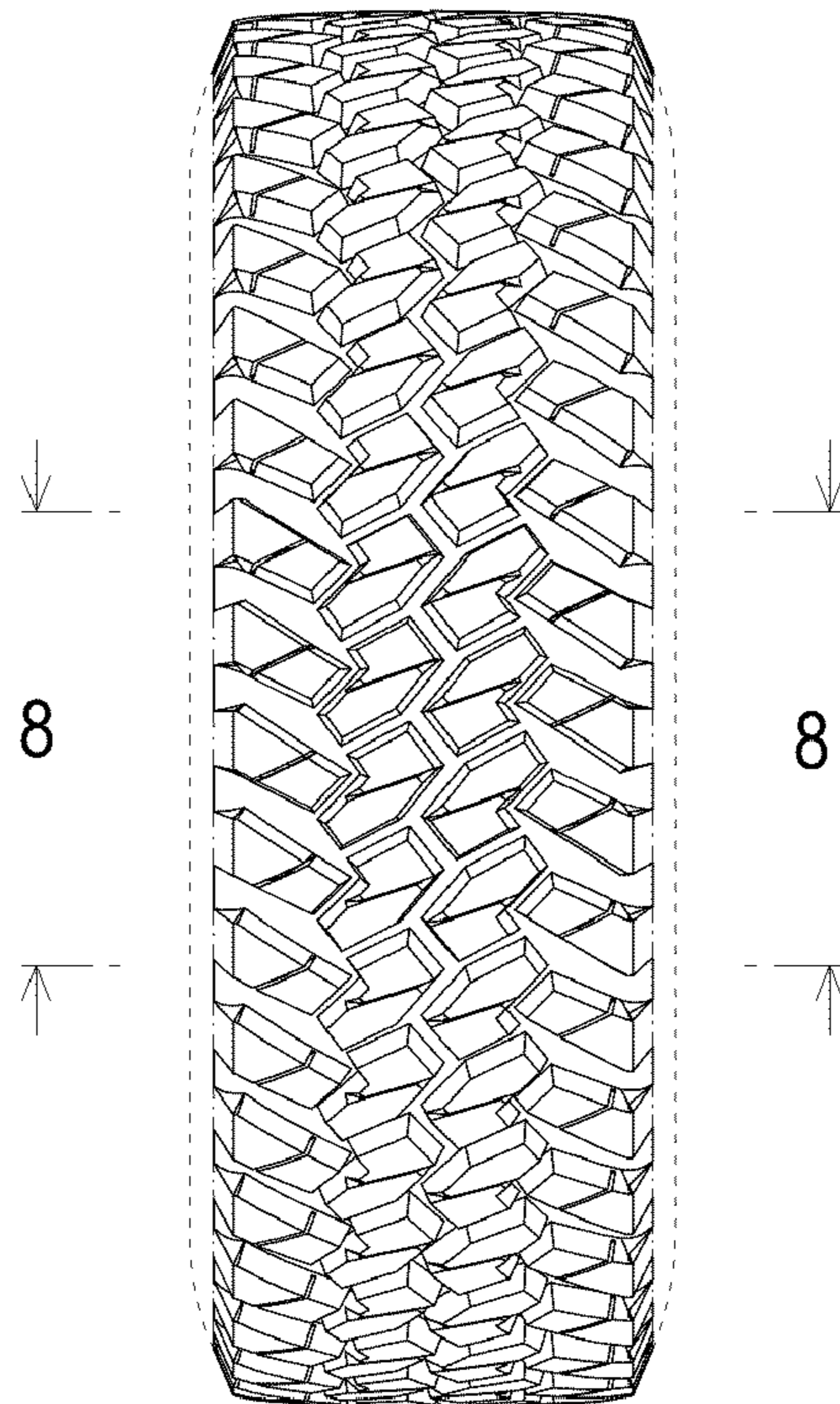


FIGURE 2

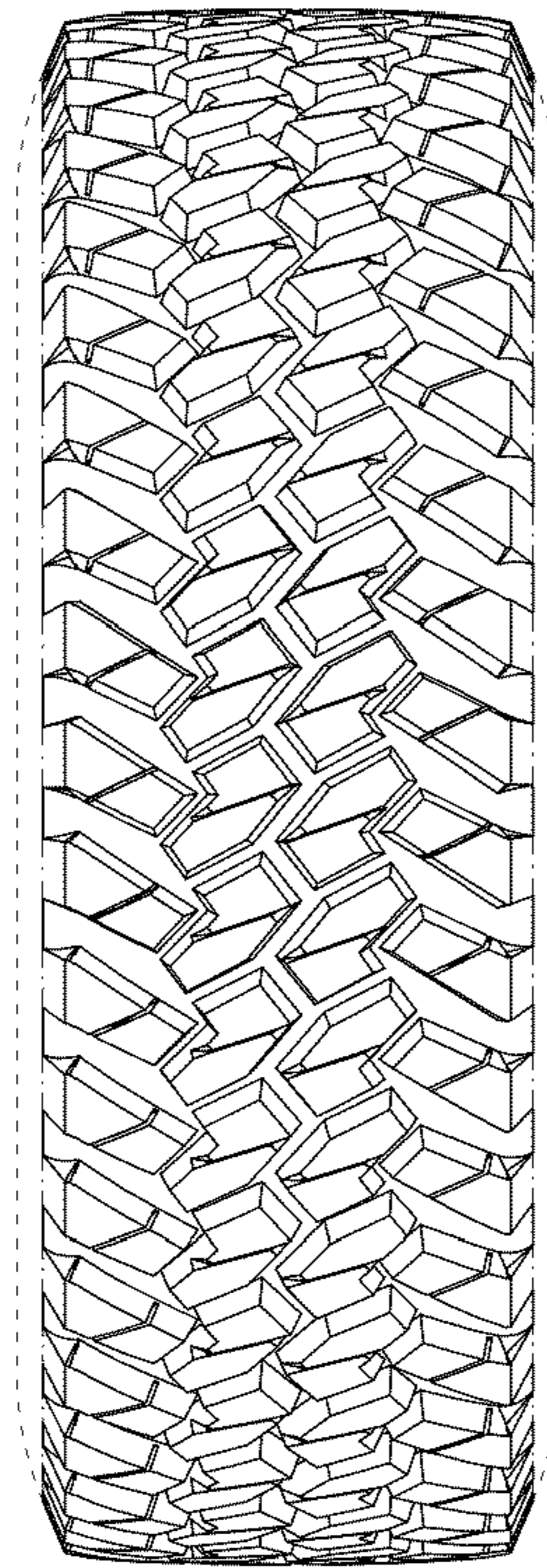


FIGURE 3

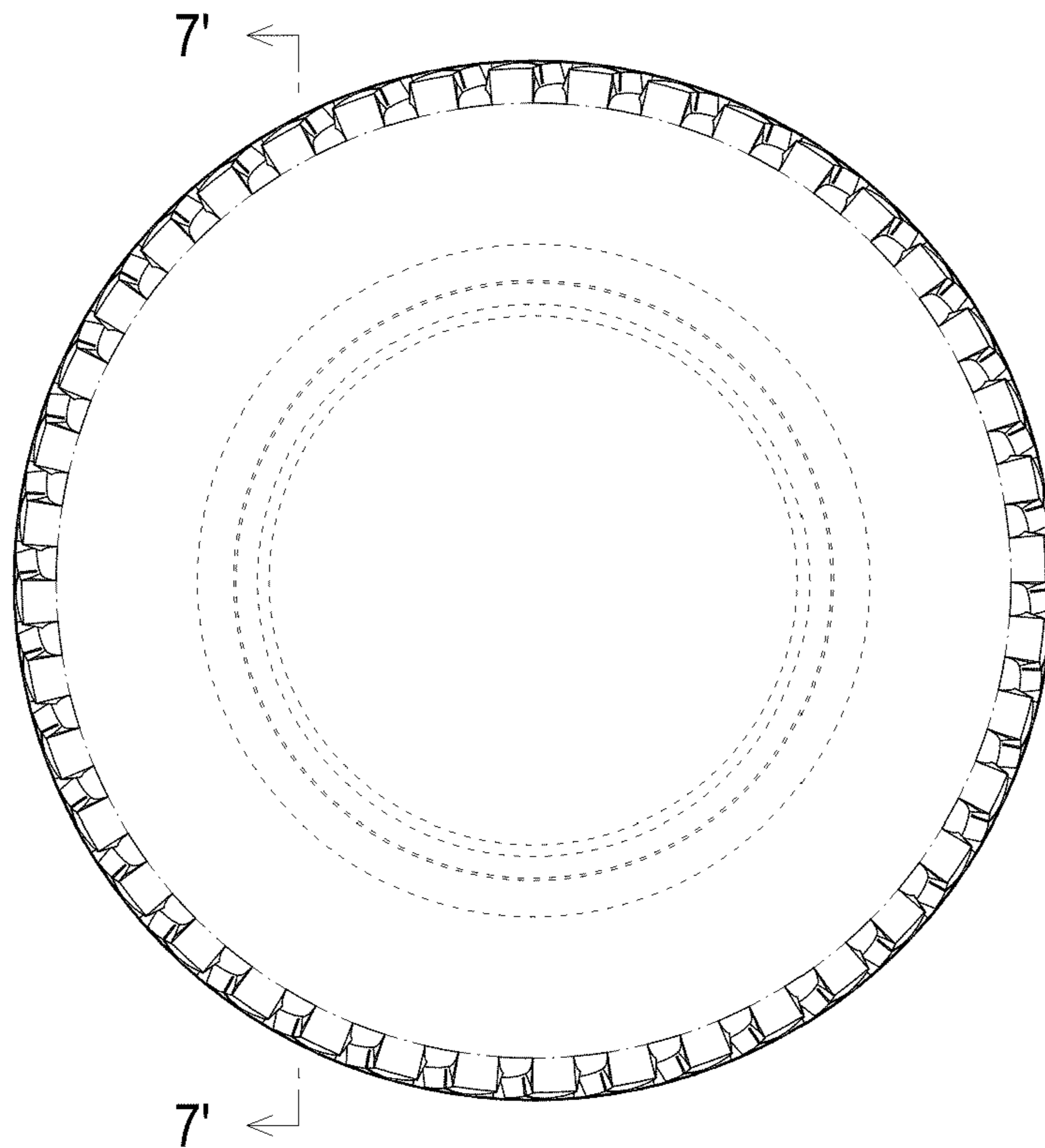


FIGURE 4

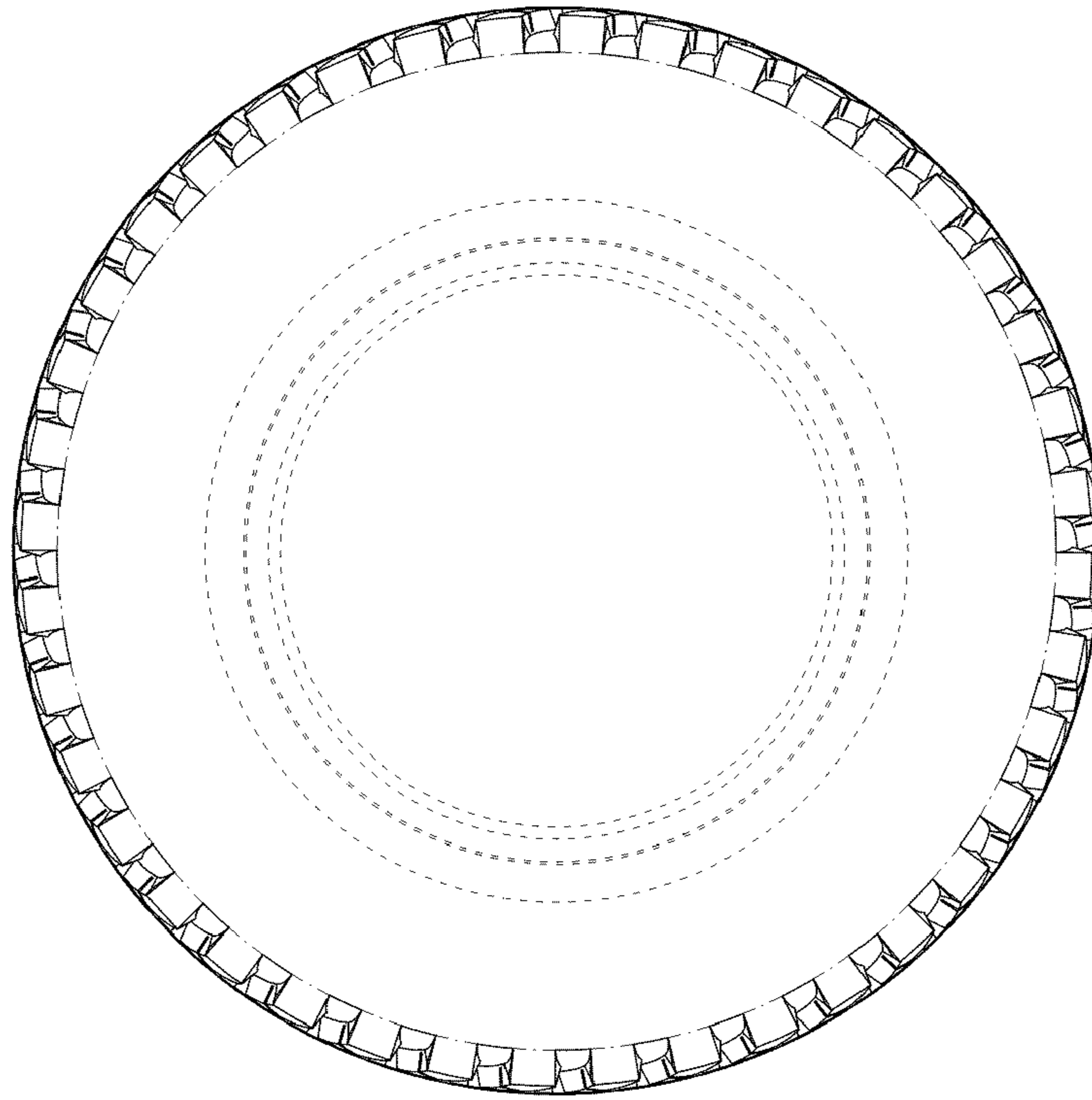


FIGURE 5

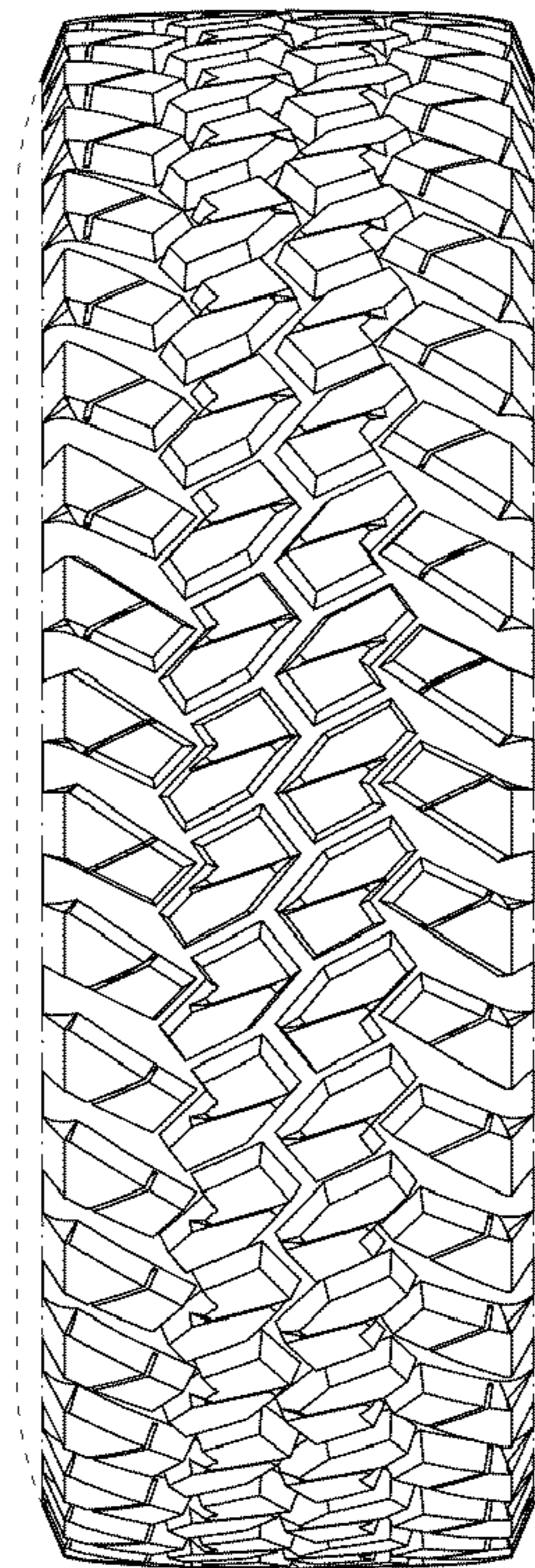


FIGURE 6

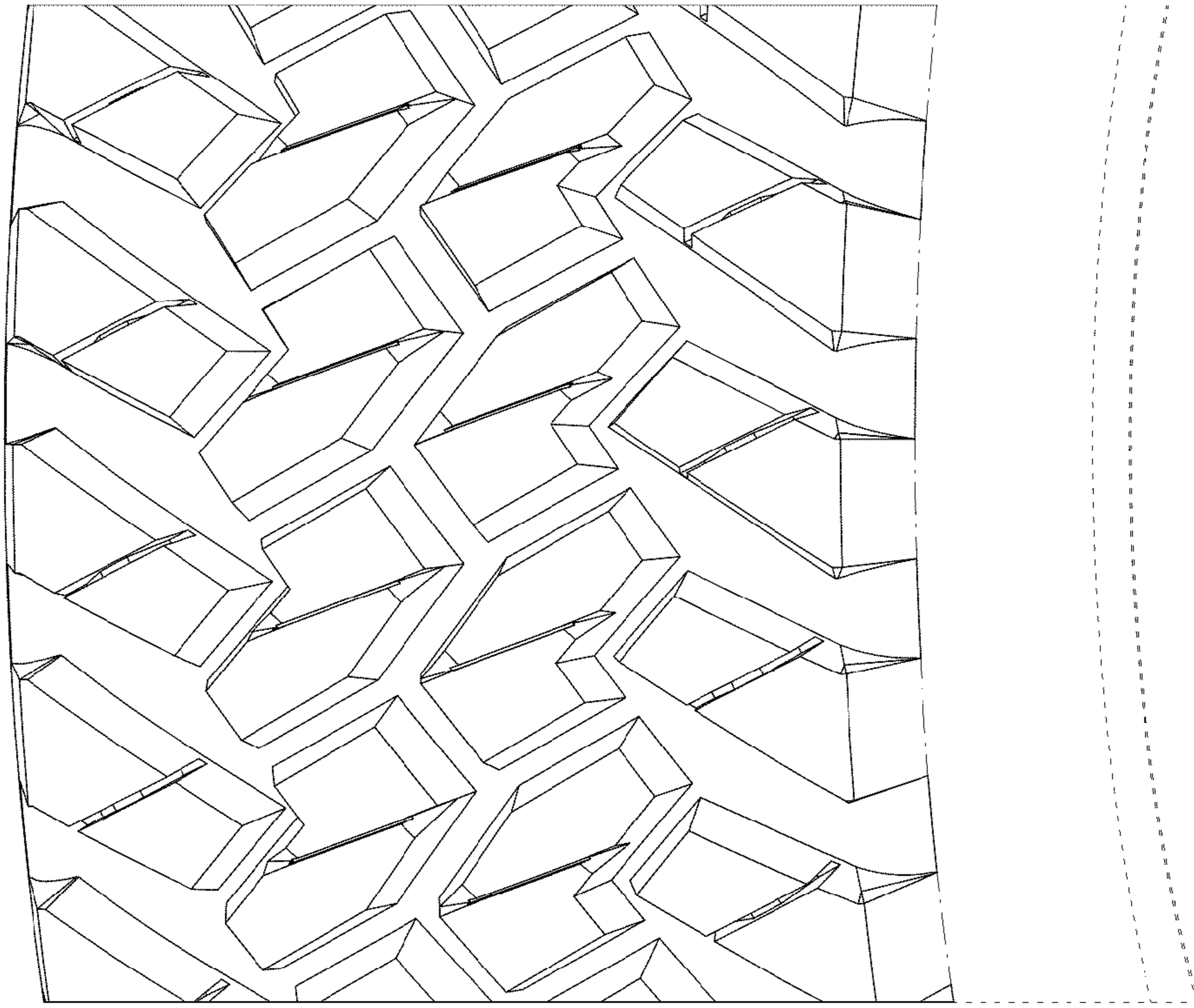


FIGURE 7

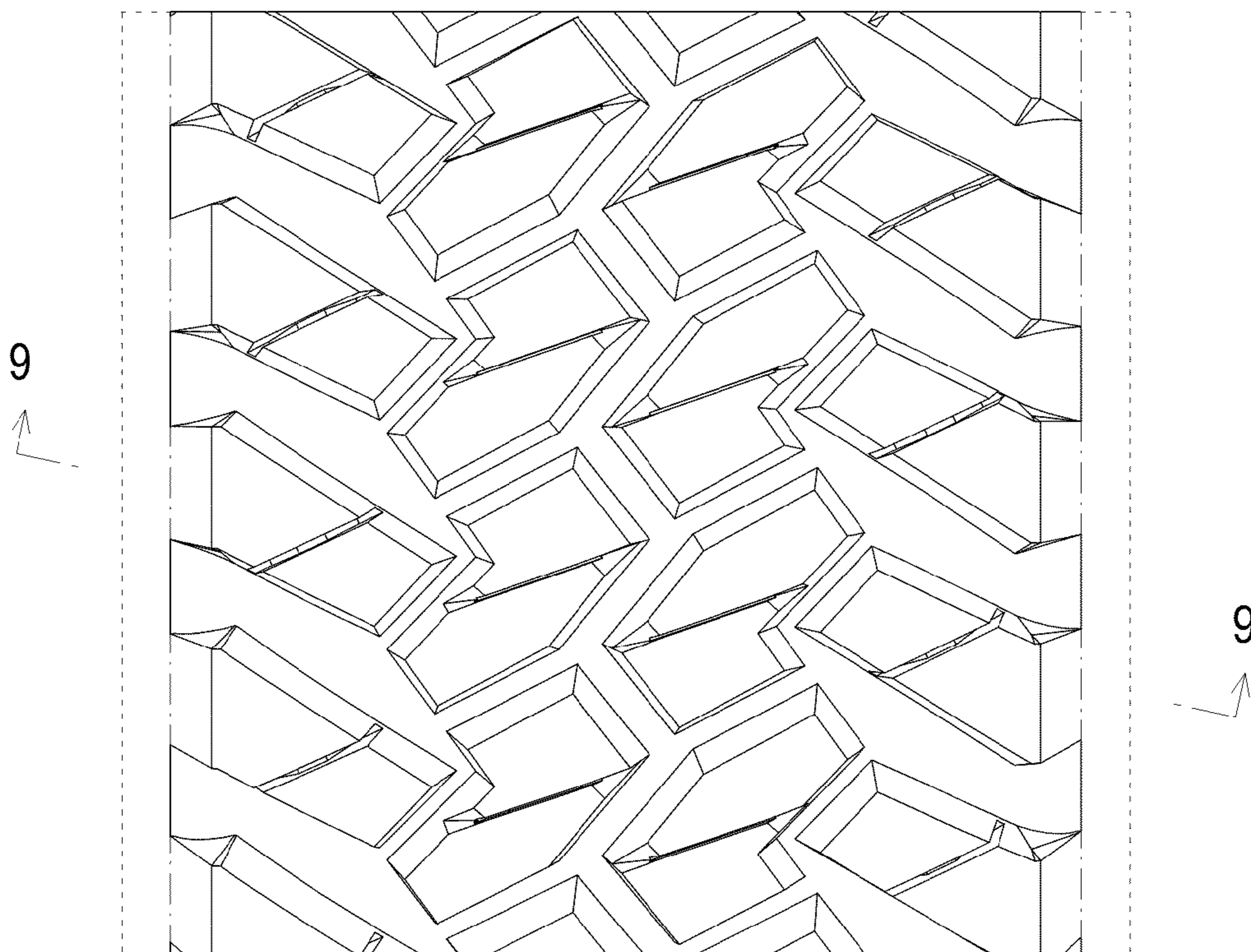


FIGURE 8

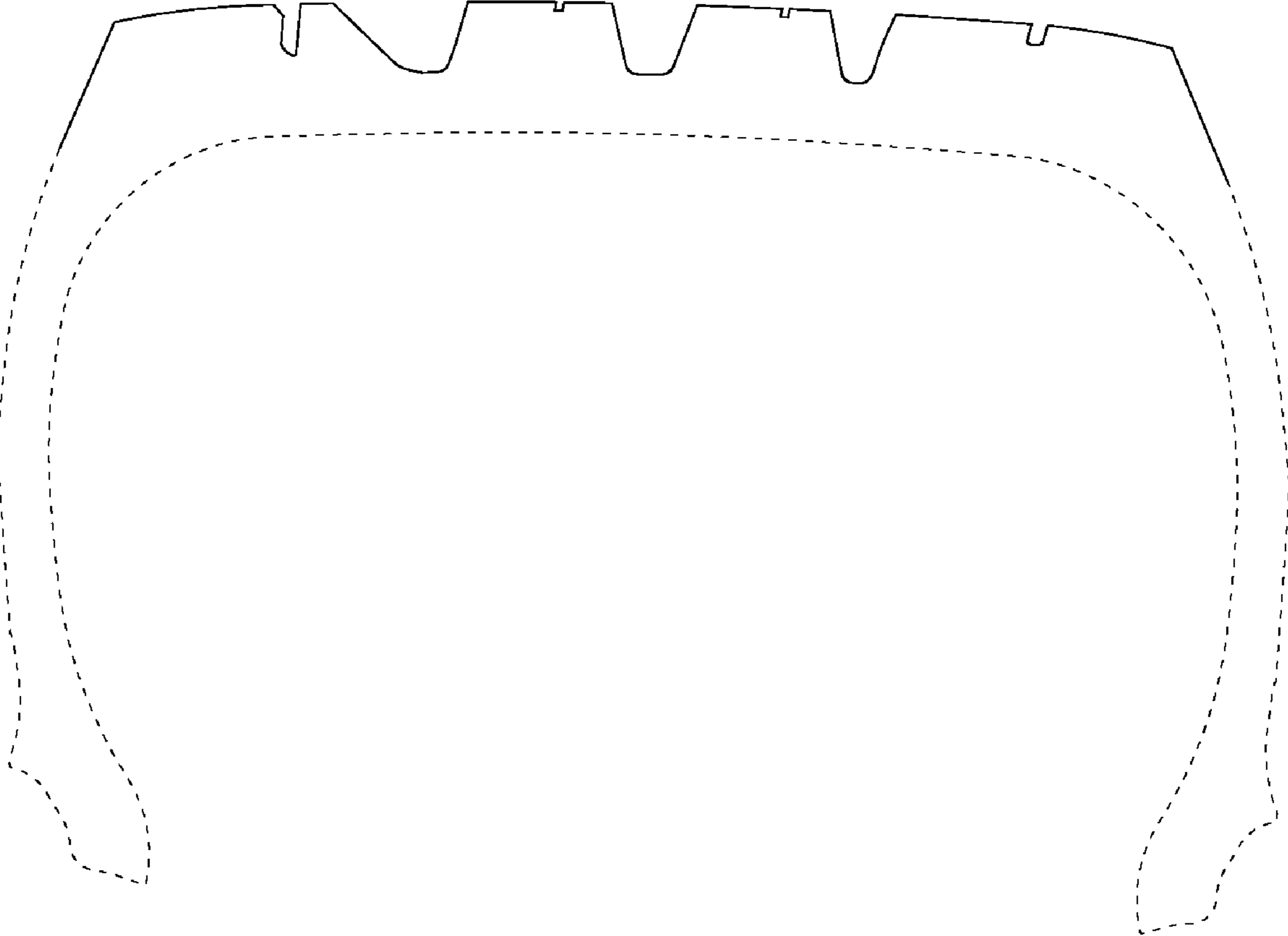


FIGURE 9

UNITED STATES PATENT AND TRADEMARK OFFICE
Certificate

Patent No. D. 626,913 S

Patented: November 9, 2010

On petition requesting issuance of a certificate for correction of inventorship pursuant to 35 U.S.C. 256, it has been found that the above identified patent, through error and without any deceptive intent, improperly sets forth the inventorship.

Accordingly, it is hereby certified that the correct inventorship of this patent is: Masaaki Ohara, Osaka (JP).

Signed and Sealed this Twenty-fourth Day of September 2013.

CARON D. VEYNAR
Supervisory Patent Examiner
Art Unit 2913
Technology Center 2900