



US00D626909S

(12) **United States Design Patent**  
**Chen**

(10) **Patent No.:** **US D626,909 S**  
(45) **Date of Patent:** **\*\* Nov. 9, 2010**

- (54) **BICYCLE BASKET**
- (75) Inventor: **Ming-Yung Chen**, Fushing Shiang (TW)
- (73) Assignee: **Branc Co., Ltd.**, Fushing Shiang (TW)
- (\*\*) Term: **14 Years**
- (21) Appl. No.: **29/360,884**
- (22) Filed: **May 2, 2010**

5,353,973 A \* 10/1994 McMurtrey ..... 224/420  
 6,062,053 A \* 5/2000 Ho ..... 70/233  
 D466,471 S \* 12/2002 Chen ..... D12/407  
 D512,223 S \* 12/2005 Snell ..... D3/304  
 D583,563 S \* 12/2008 Snider ..... D3/306  
 2008/0017680 A1 \* 1/2008 Lee ..... 224/412

\* cited by examiner

*Primary Examiner*—Susan M Lee  
*Assistant Examiner*—Linda G. Brooks

- (51) **LOC (9) Cl.** ..... **12-11**
  - (52) **U.S. Cl.** ..... **D12/407**
  - (58) **Field of Classification Search** ..... D12/407,  
D12/111, 406; 224/42.11, 412, 419, 420,  
224/425, 434; D3/306–309, 311, 312; 280/202,  
280/288.4; 220/485, 491, 495; D6/462–465,  
D6/537, 566
- See application file for complete search history.

(56) **References Cited**

**U.S. PATENT DOCUMENTS**

1,477,700 A \* 12/1923 Fuller ..... 220/491  
 1,573,558 A \* 2/1926 Macomber ..... 220/491  
 D126,564 S \* 4/1941 Andrews ..... D12/407  
 2,732,096 A \* 1/1956 Siciliano ..... 220/769  
 2,889,096 A \* 6/1959 Glenny ..... 224/420

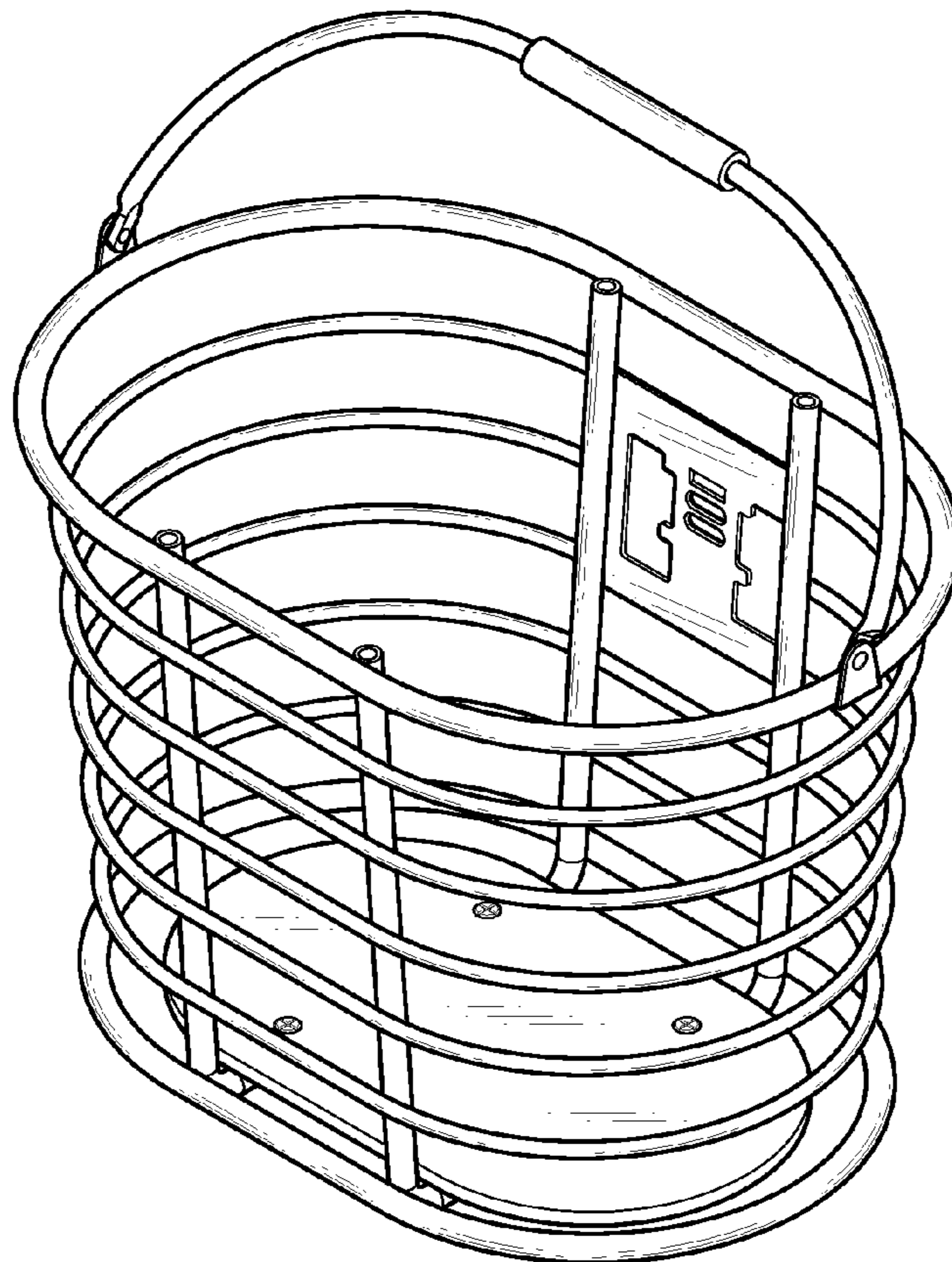
(57) **CLAIM**

The ornamental design for a bicycle basket, as shown and described.

**DESCRIPTION**

FIG. 1 is a perspective view of a bicycle basket showing my new design;  
 FIG. 2 is a front view of FIG. 1;  
 FIG. 3 is a rear view of FIG. 1;  
 FIG. 4 is a left side view of FIG. 1;  
 FIG. 5 is a right side view of FIG. 1;  
 FIG. 6 is a top view of FIG. 1; and,  
 FIG. 7 is a bottom view of FIG. 1.

**1 Claim, 4 Drawing Sheets**



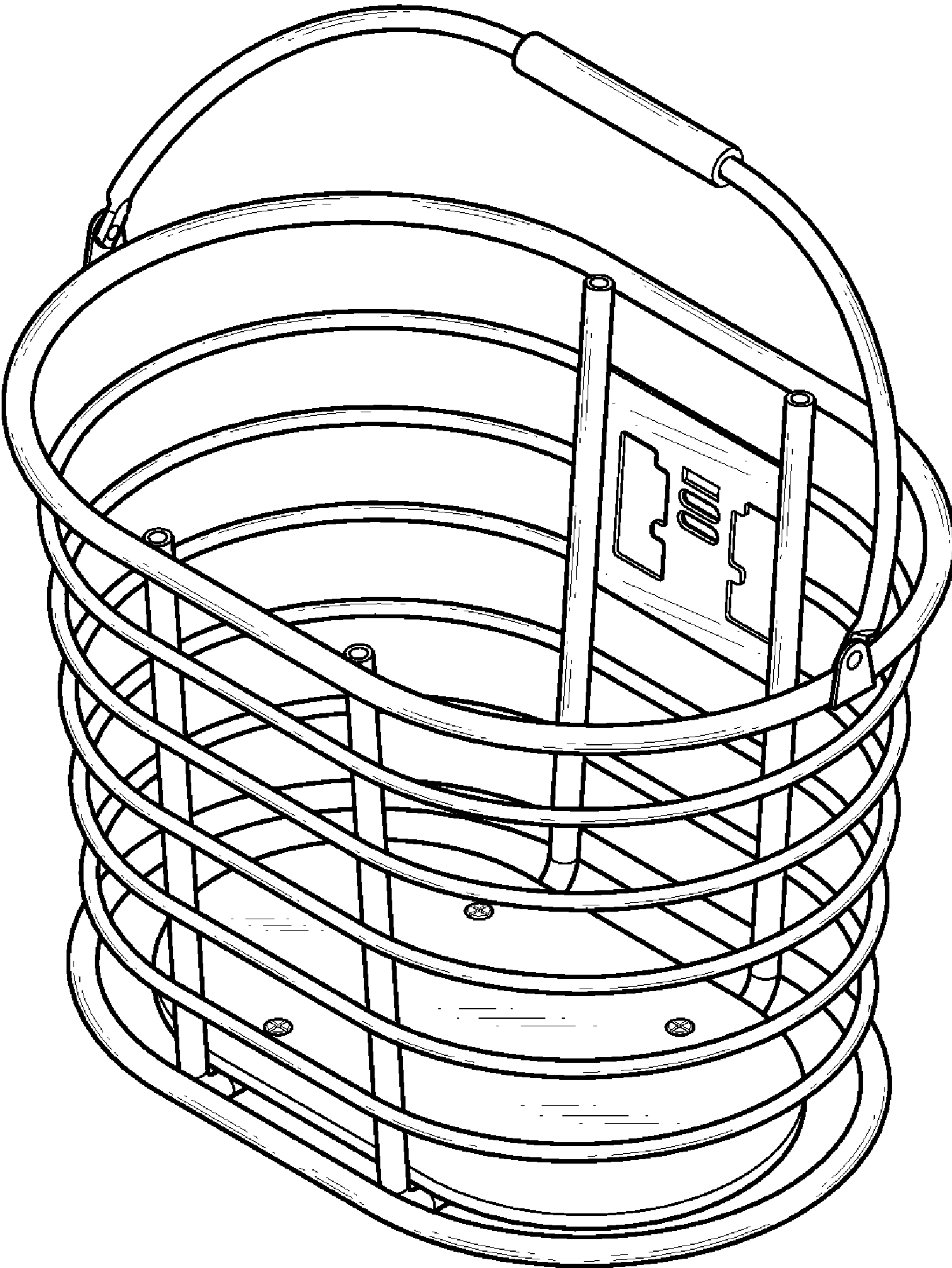


FIG. 1

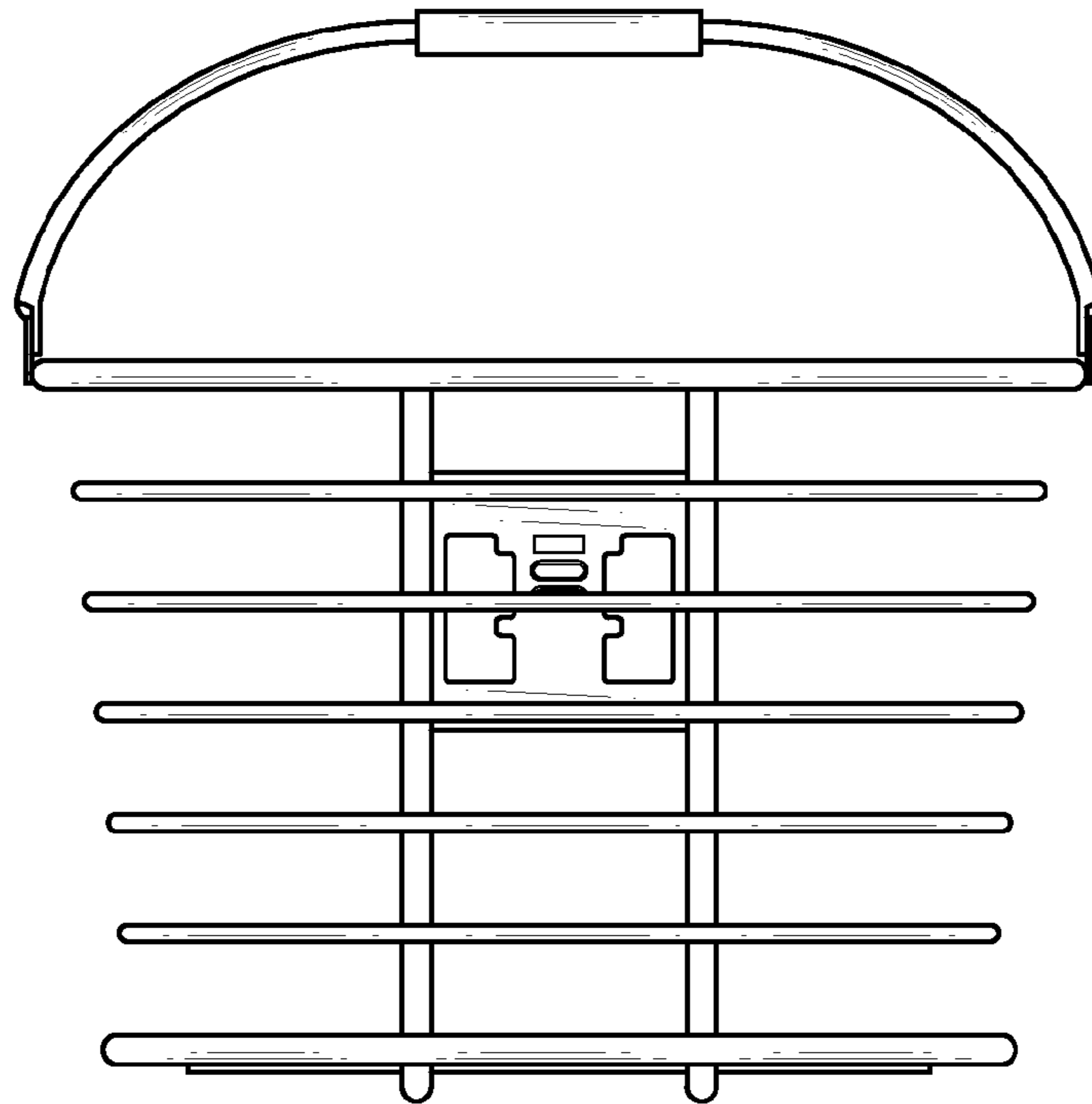


FIG. 2

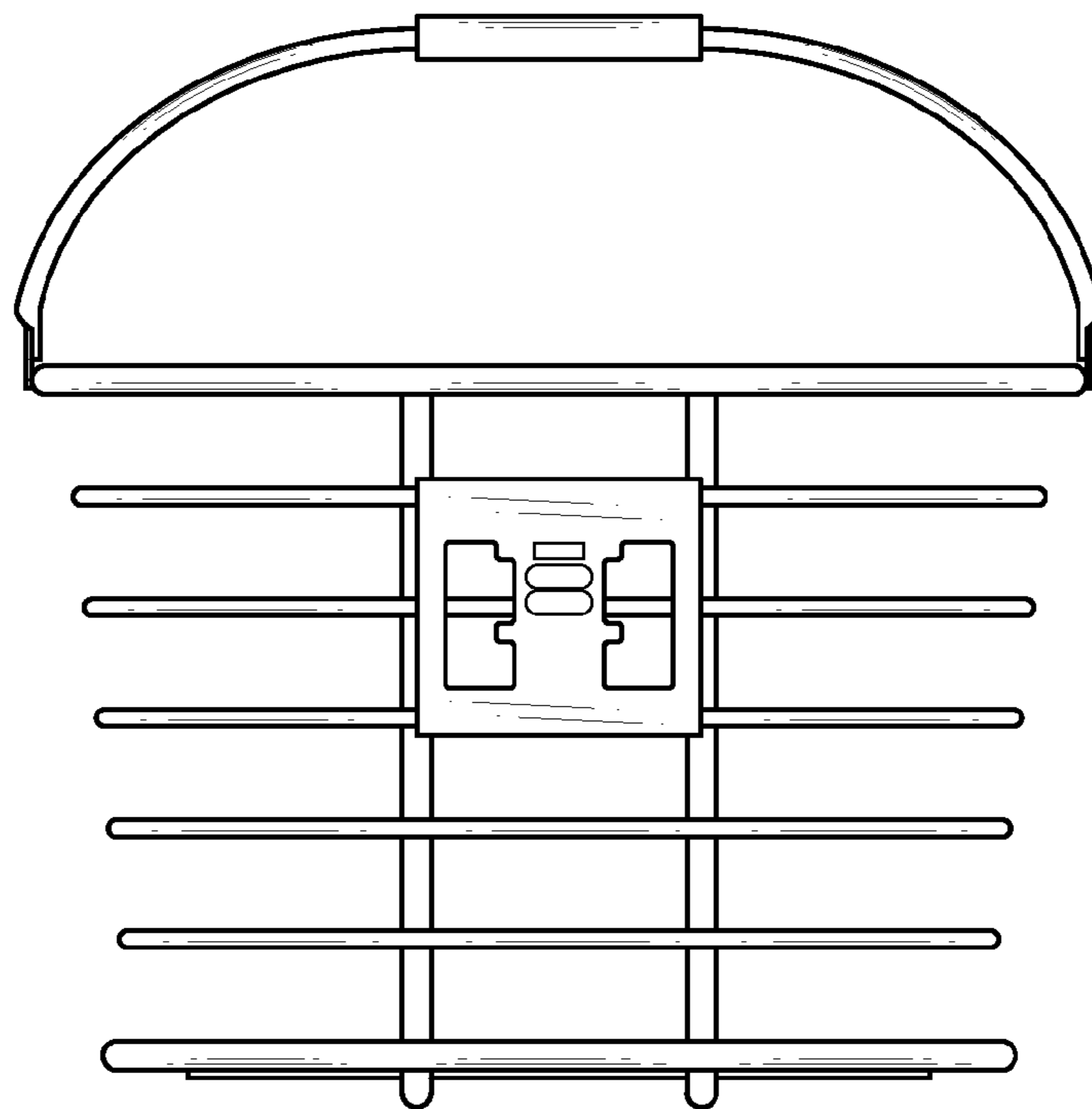


FIG. 3

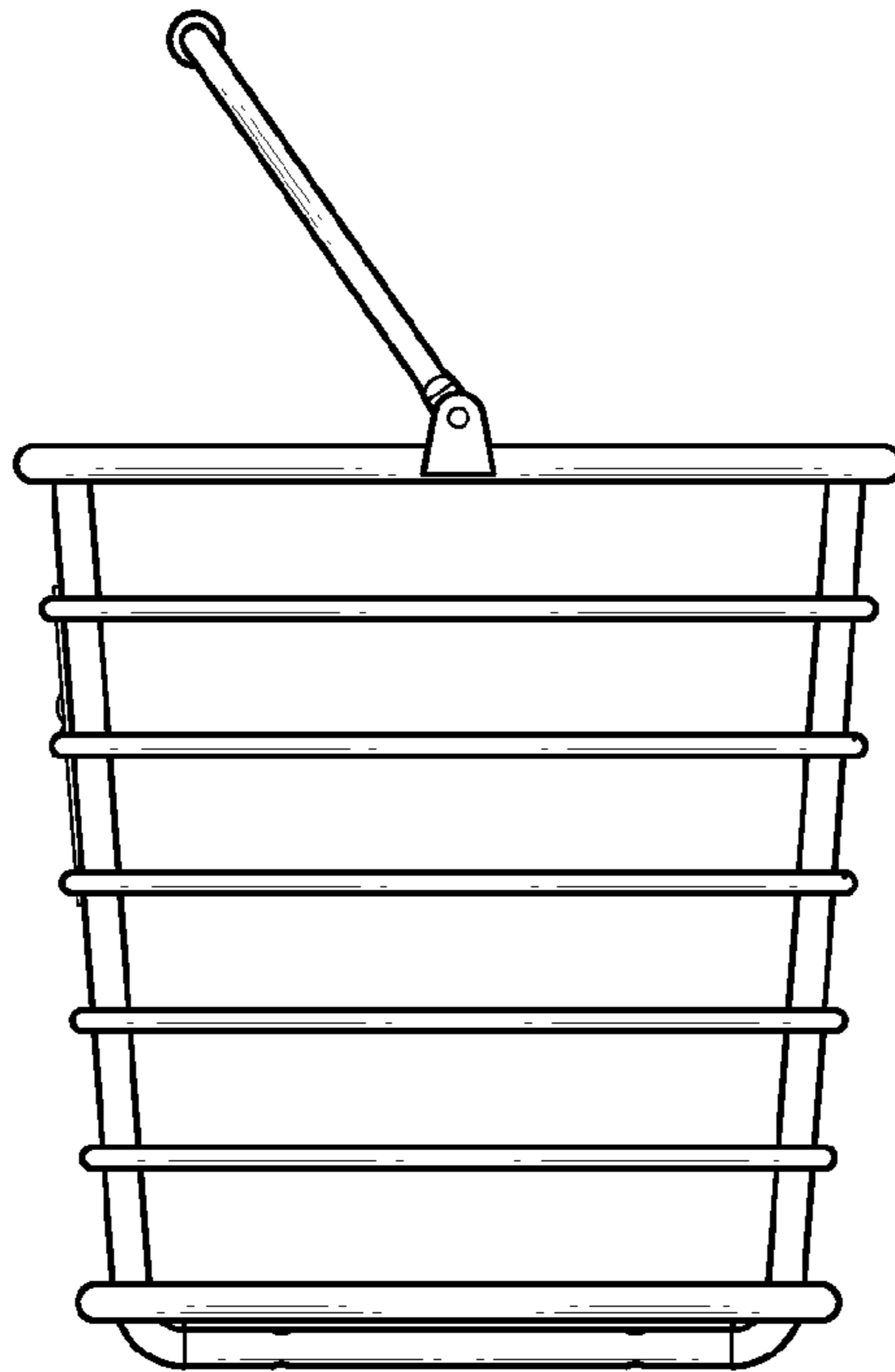


FIG. 4

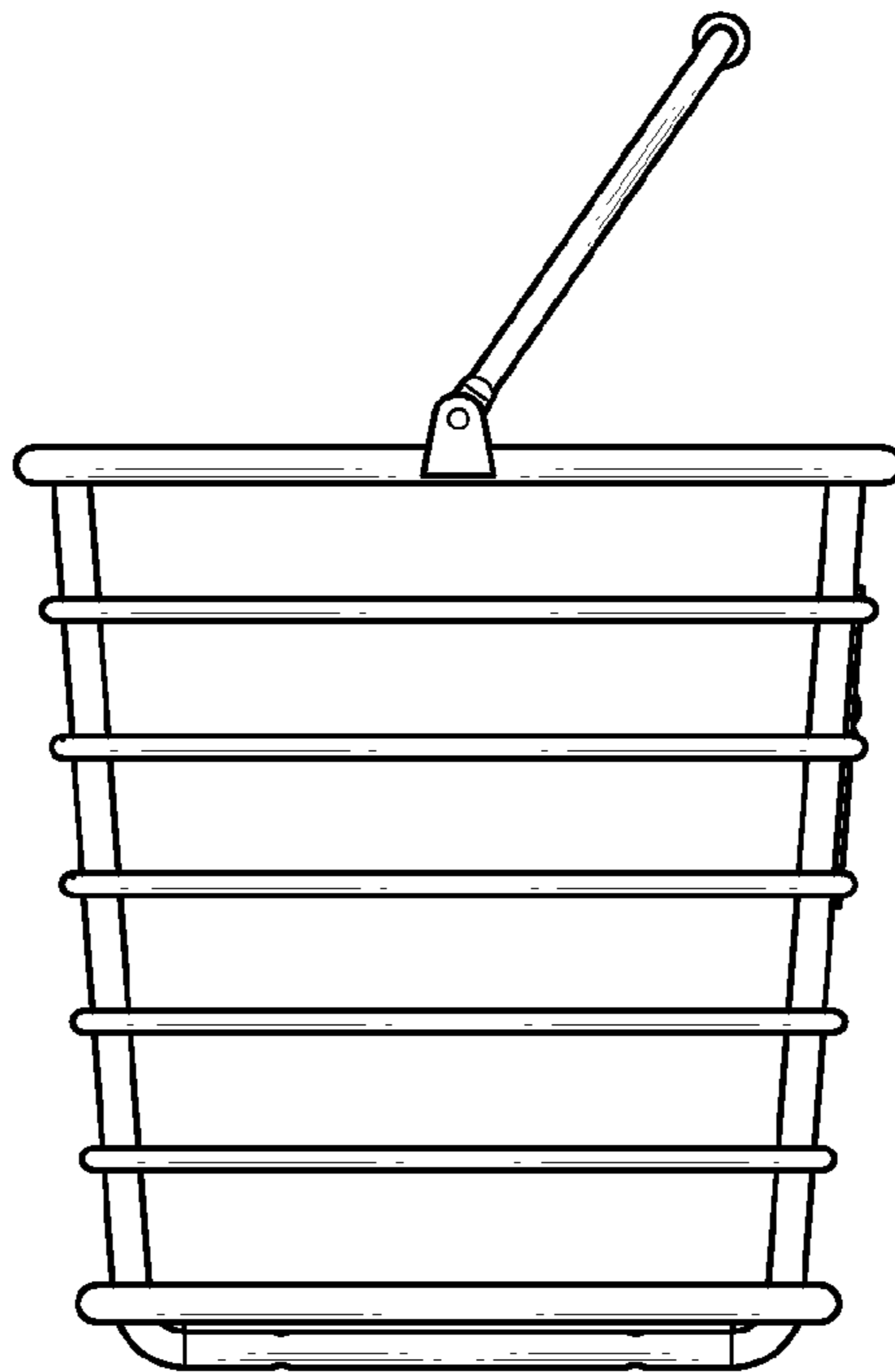


FIG. 5

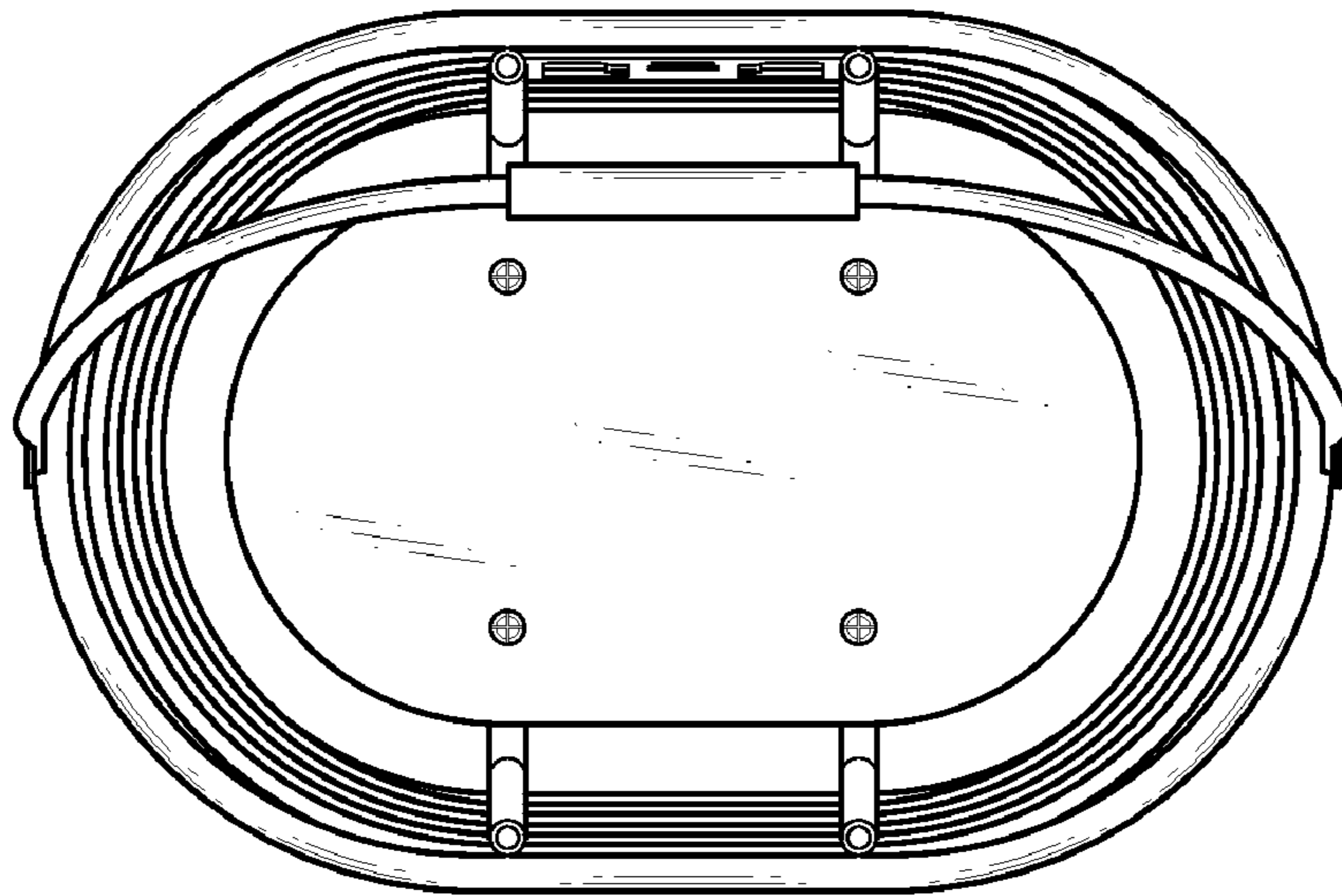


FIG. 6

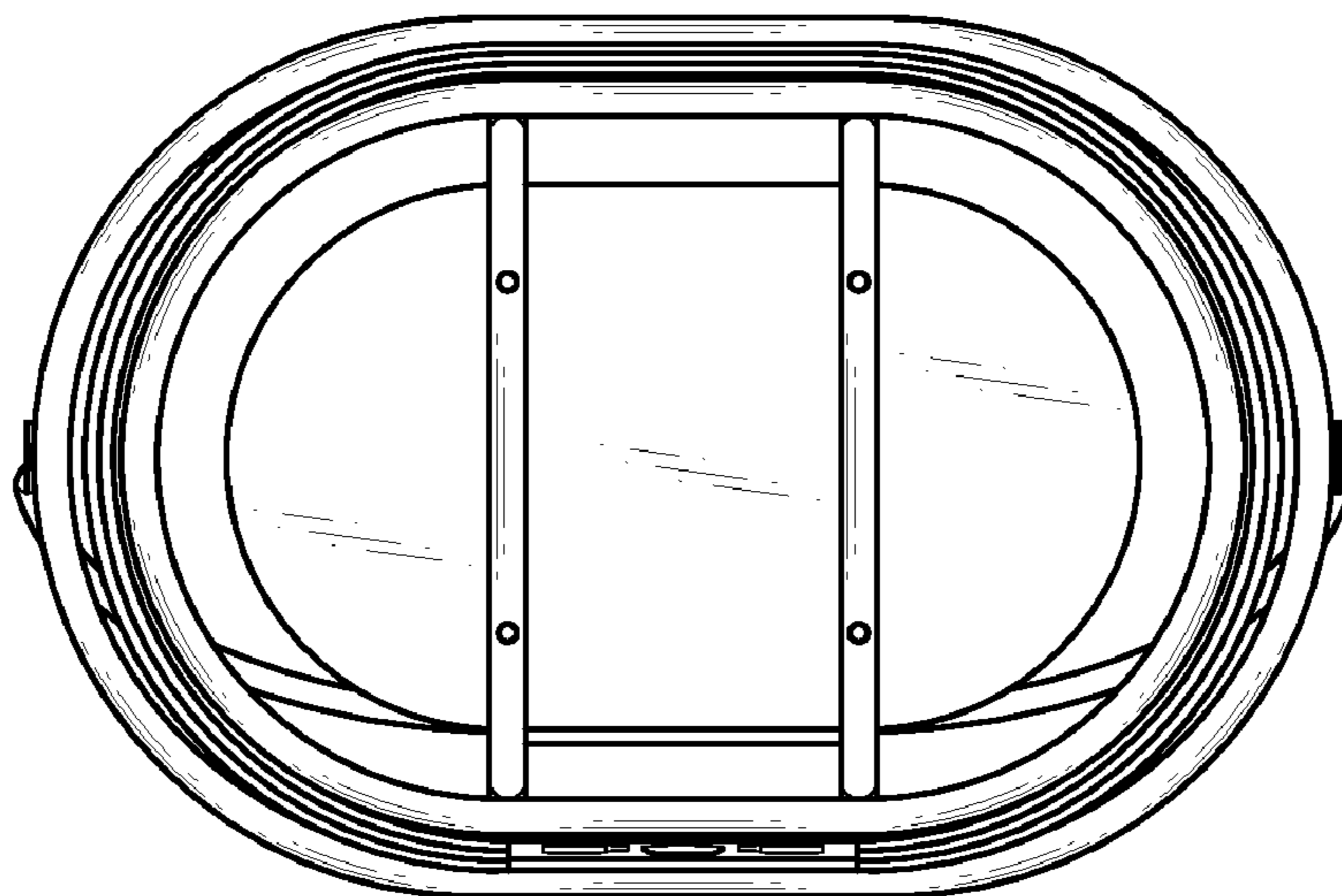


FIG. 7