



US00D626905S

(12) **United States Design Patent**
Camacho

(10) **Patent No.:** **US D626,905 S**
(45) **Date of Patent:** **** Nov. 9, 2010**

(54) **FRONT FACE OF A VEHICLE WHEEL**

(75) Inventor: **Winifredo Camacho**, Stuttgart (DE)

(73) Assignee: **Daimler AG**, Stuttgart (DE)

(**) Term: **14 Years**

(21) Appl. No.: **29/300,664**

(22) Filed: **Apr. 23, 2008**

(30) **Foreign Application Priority Data**

Oct. 24, 2007 (EM) 000813977-0012

(51) **LOC (9) Cl.** **12-16**

(52) **U.S. Cl.** **D12/209**

(58) **Field of Classification Search** D12/204-213;
301/37.101, 64.101, 65, 64.201

See application file for complete search history.

(56) **References Cited**

U.S. PATENT DOCUMENTS

D371,100 S *	6/1996	Hatter	D12/209
D428,377 S *	7/2000	Kubosaki et al.	D12/209
D451,065 S *	11/2001	Braun	D12/211
D461,153 S *	8/2002	Koyama	D12/209
D499,058 S *	11/2004	Iwauchi et al.	D12/209

D502,909 S *	3/2005	Pfeiffer	D12/211
D504,096 S *	4/2005	Nakagawa et al.	D12/209
D573,932 S *	7/2008	Laengerer	D12/209
D584,208 S *	1/2009	Markefka	D12/209
D589,863 S *	4/2009	Huet	D12/209
D593,477 S *	6/2009	Chen et al.	D12/211
D595,201 S *	6/2009	Antoniadis et al.	D12/211
D608,712 S *	1/2010	Pollmann	D12/209
D611,396 S *	3/2010	Antoniadis et al.	D12/211
D619,524 S *	7/2010	Gabath	D12/209

* cited by examiner

Primary Examiner—Stacia Cadmus

(74) *Attorney, Agent, or Firm*—Crowell & Moring LLP

(57) **CLAIM**

The ornamental design for a front face of a vehicle wheel, as shown and described.

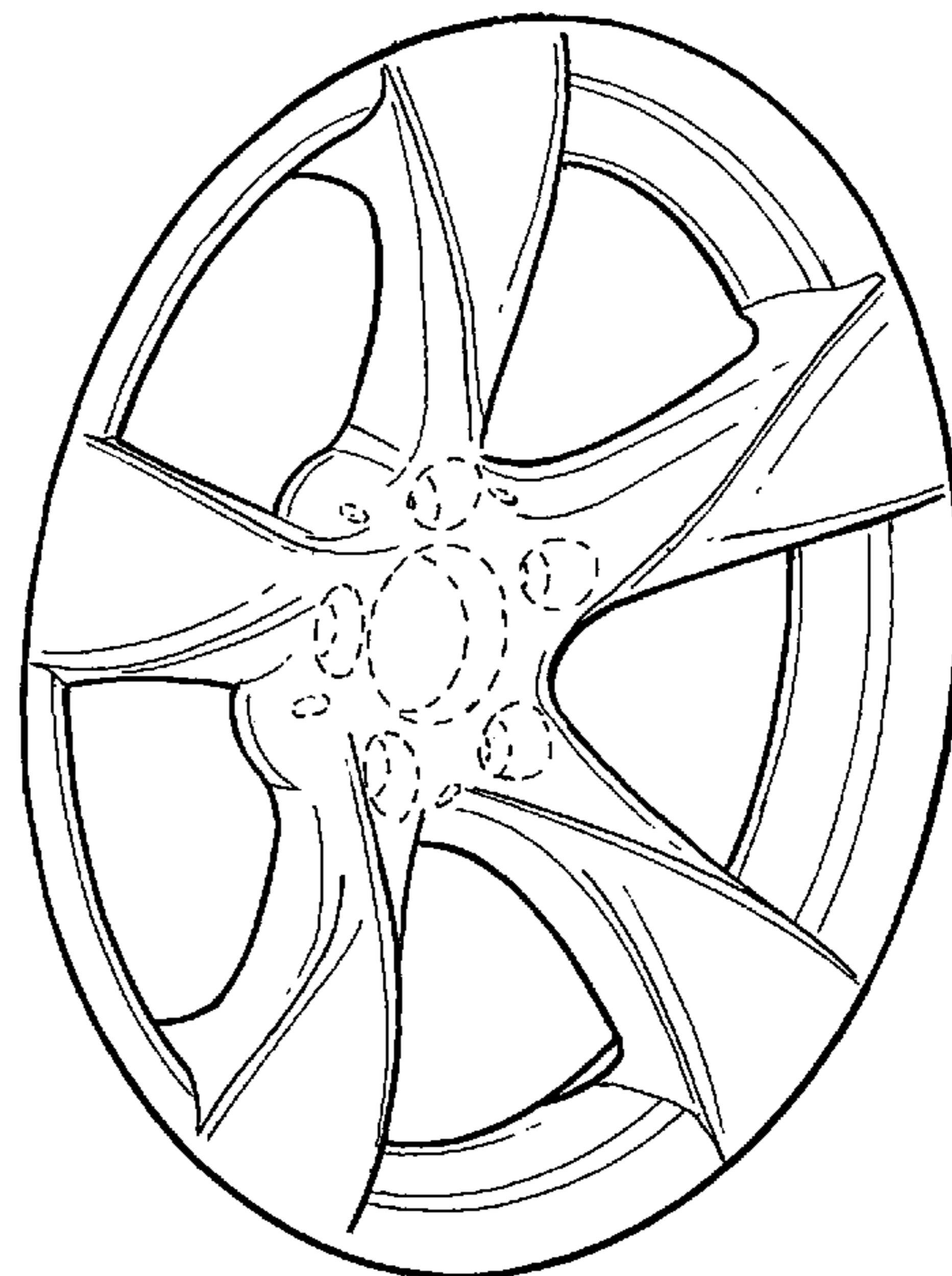
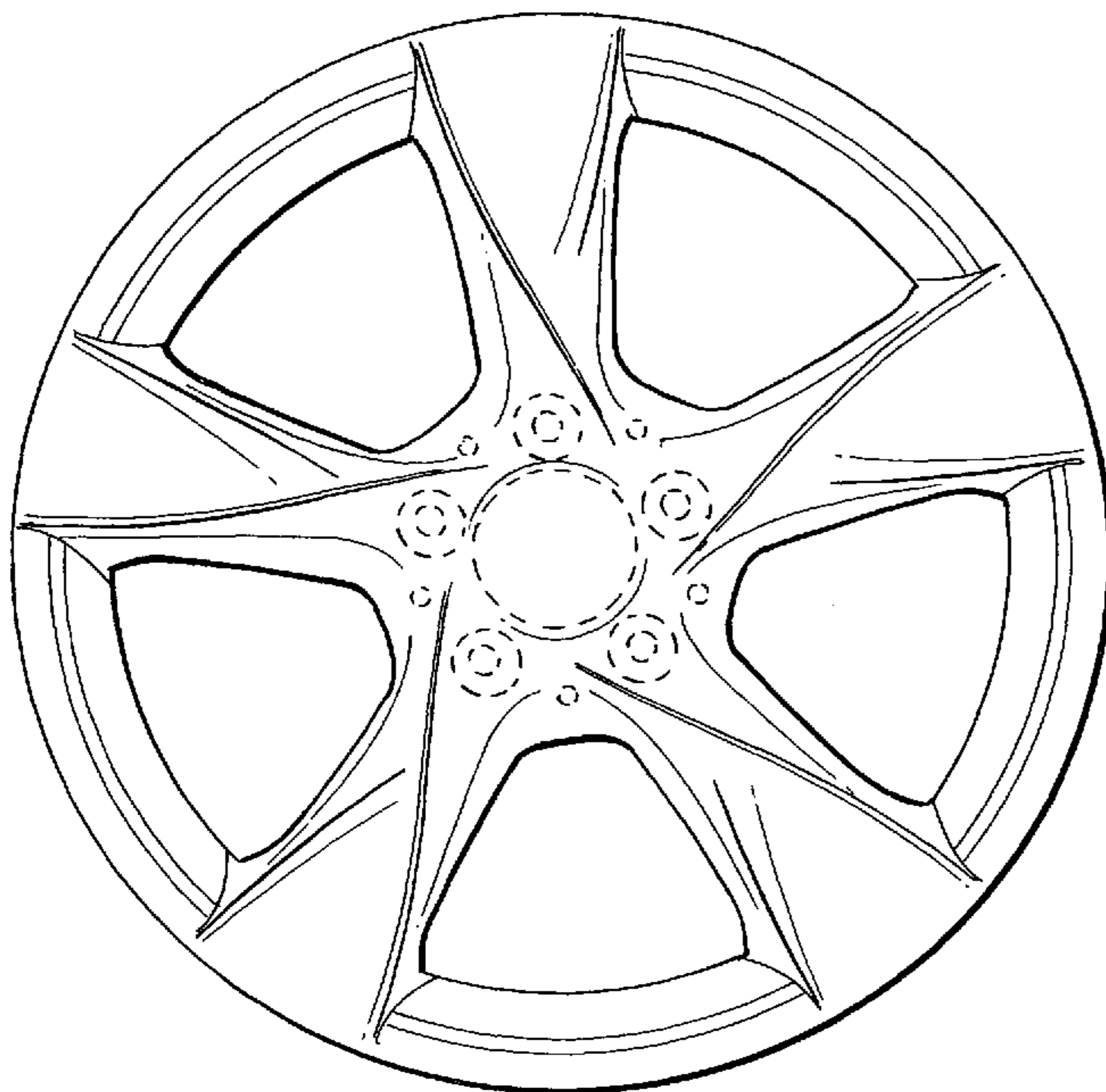
DESCRIPTION

FIG. 1 is a front view of a front face of a vehicle wheel according to my novel design; and,

FIG. 2 is a perspective view thereof.

The broken line showing of the bolt holes and center hole in the central hub area is included for the purpose of illustrating environment and forms no part of the claimed design.

1 Claim, 1 Drawing Sheet



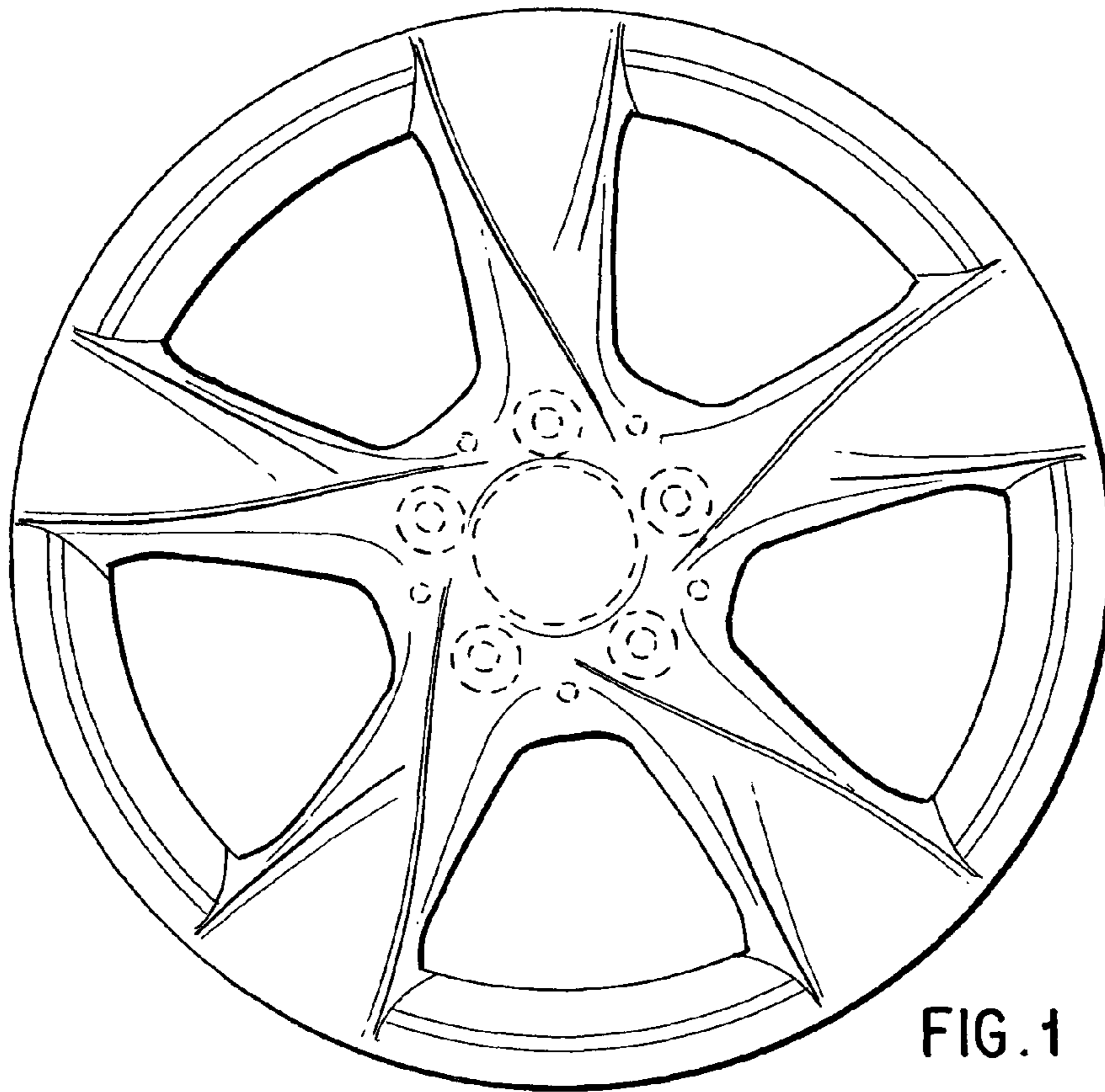


FIG. 1

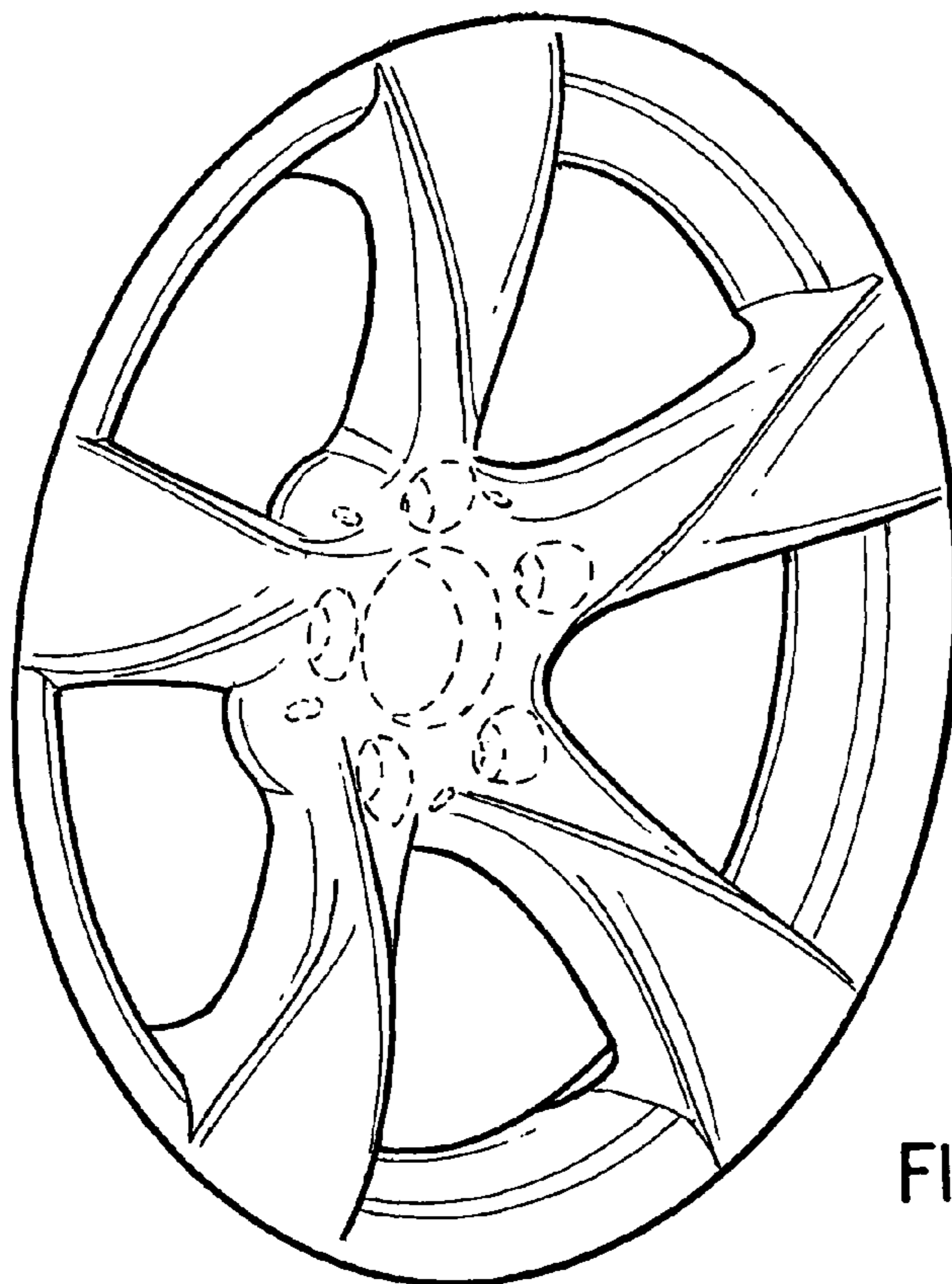


FIG. 2