



US00D626903S

(12) **United States Design Patent**
Vermeersch et al.

(10) **Patent No.:** **US D626,903 S**
(45) **Date of Patent:** **** Nov. 9, 2010**

(54) **AUTOMOBILE INSTRUMENT PANEL**

(75) Inventors: **Lowie Vermeersch**, Turin (IT);
Guglielmo Cartia, Marentino (IT)

(73) Assignee: **Vehicules Electriques**
Pininfarina-Bollore, Puteaux (FR)

(**) Term: **14 Years**

(21) Appl. No.: **29/312,142**

(22) Filed: **Oct. 1, 2008**

(30) **Foreign Application Priority Data**

Jul. 9, 2008 (EM) 000984141-0003
Jul. 9, 2008 (EM) 000984141-0004
Jul. 9, 2008 (EM) 000984141-0005

(51) **LOC (9) Cl.** **12-16**

(52) **U.S. Cl.** **D12/192**

(58) **Field of Classification Search** D12/192,
D12/415, 110, 114; 180/190; 280/750-752;
296/190.01-190.09, 70; D15/17, 28; D10/46,
D10/98, 102-103, 122-127
See application file for complete search history.

(56) **References Cited**

U.S. PATENT DOCUMENTS

D432,474 S * 10/2000 Sacco et al. D12/192
D440,193 S * 4/2001 Pfeiffer D12/192
D455,691 S * 4/2002 Okonkwo D12/192
D493,756 S * 8/2004 Yamamoto et al. D12/192
D494,115 S * 8/2004 McPeck et al. D12/192
D499,998 S * 12/2004 Tanaka et al. D12/192
D504,369 S * 4/2005 Pfeiffer D12/192

D534,467 S * 1/2007 Pfeiffer D12/192
7,474,204 B2 * 1/2009 Songwe 340/461
2002/0084667 A1 * 7/2002 Sutou et al. 296/70
2006/0186650 A1 * 8/2006 Kuwano et al. 280/732
2006/0286944 A1 * 12/2006 Songwe 455/99
2008/0023979 A1 * 1/2008 Trillat et al. 296/70
2009/0179451 A1 * 7/2009 Penner et al. 296/70
2009/0206627 A1 * 8/2009 Duplantis et al. 296/72
2009/0261612 A1 * 10/2009 Takayama et al. 296/70
2010/0084886 A1 * 4/2010 Utsugi et al. 296/70

* cited by examiner

Primary Examiner—Caron Veynar

Assistant Examiner—Katrina A Kile

(74) *Attorney, Agent, or Firm*—Kusner & Jaffe

(57) **CLAIM**

The ornamental design for an automobile instrument panel, as shown.

DESCRIPTION

FIG. 1 is a perspective view of an automobile instrument panel showing my/our new design;

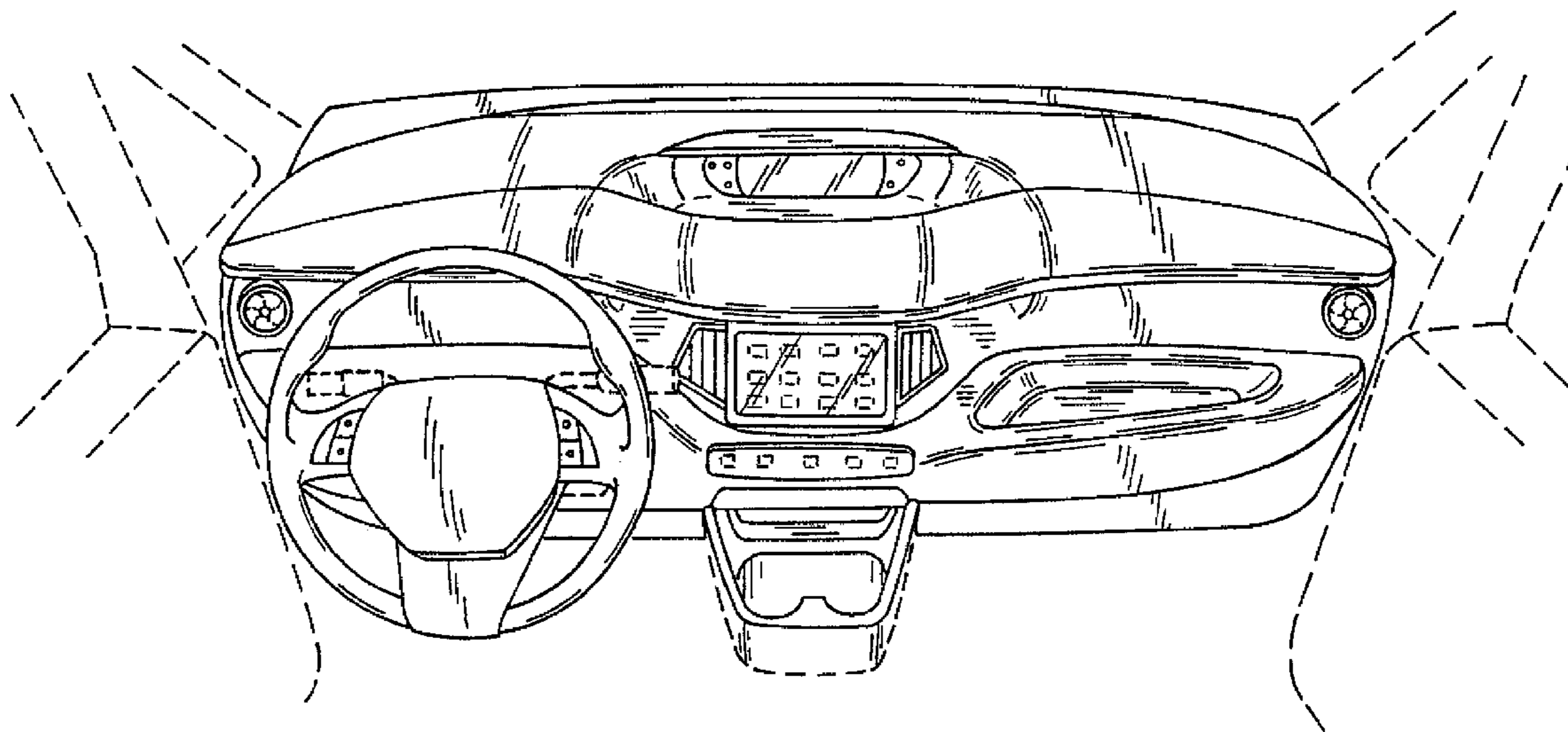
FIG. 2 is a top plan view thereof;

FIG. 3 is a side perspective view thereof; and,

FIG. 4 is a front view thereof.

The broken lines showing the environment in which the automobile instrument panel is associated; the broken lines showing instrument panel controls, levers and structures behind both sides of the steering column; and the broken lines showing the bottom perimeter of the center console, are for illustrative purposes only and form no part of the claimed design.

1 Claim, 4 Drawing Sheets



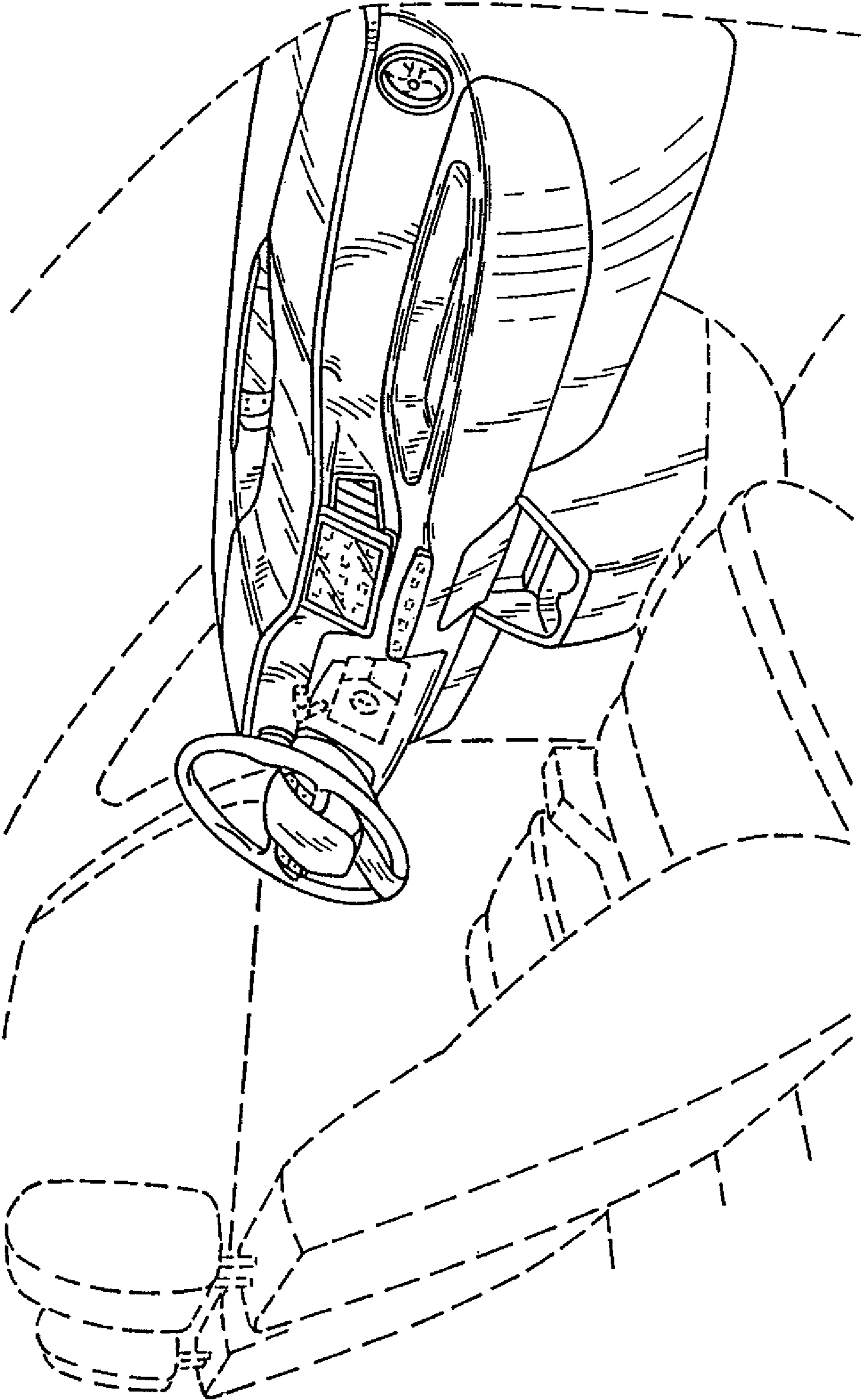


FIG. 1

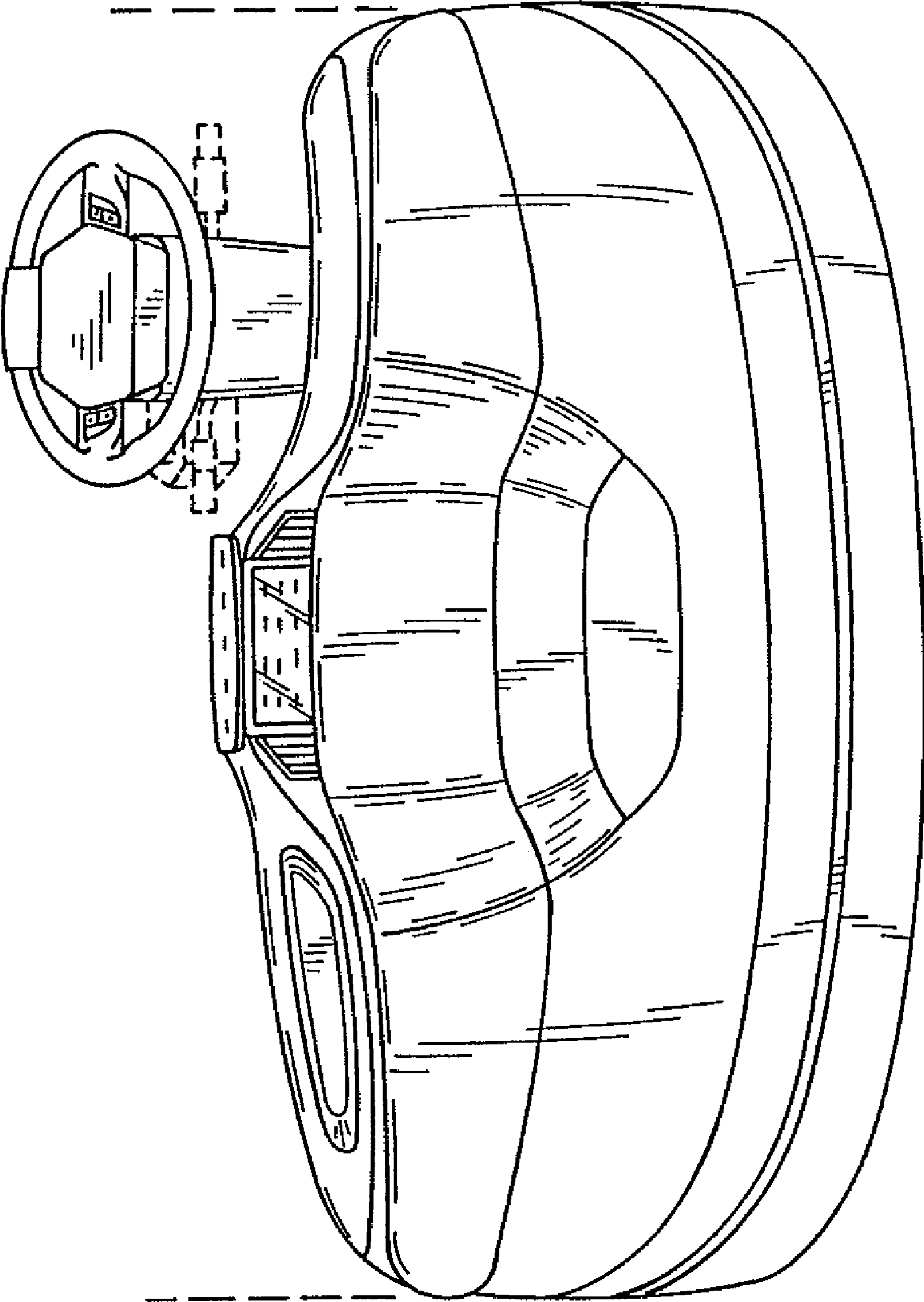


FIG. 2

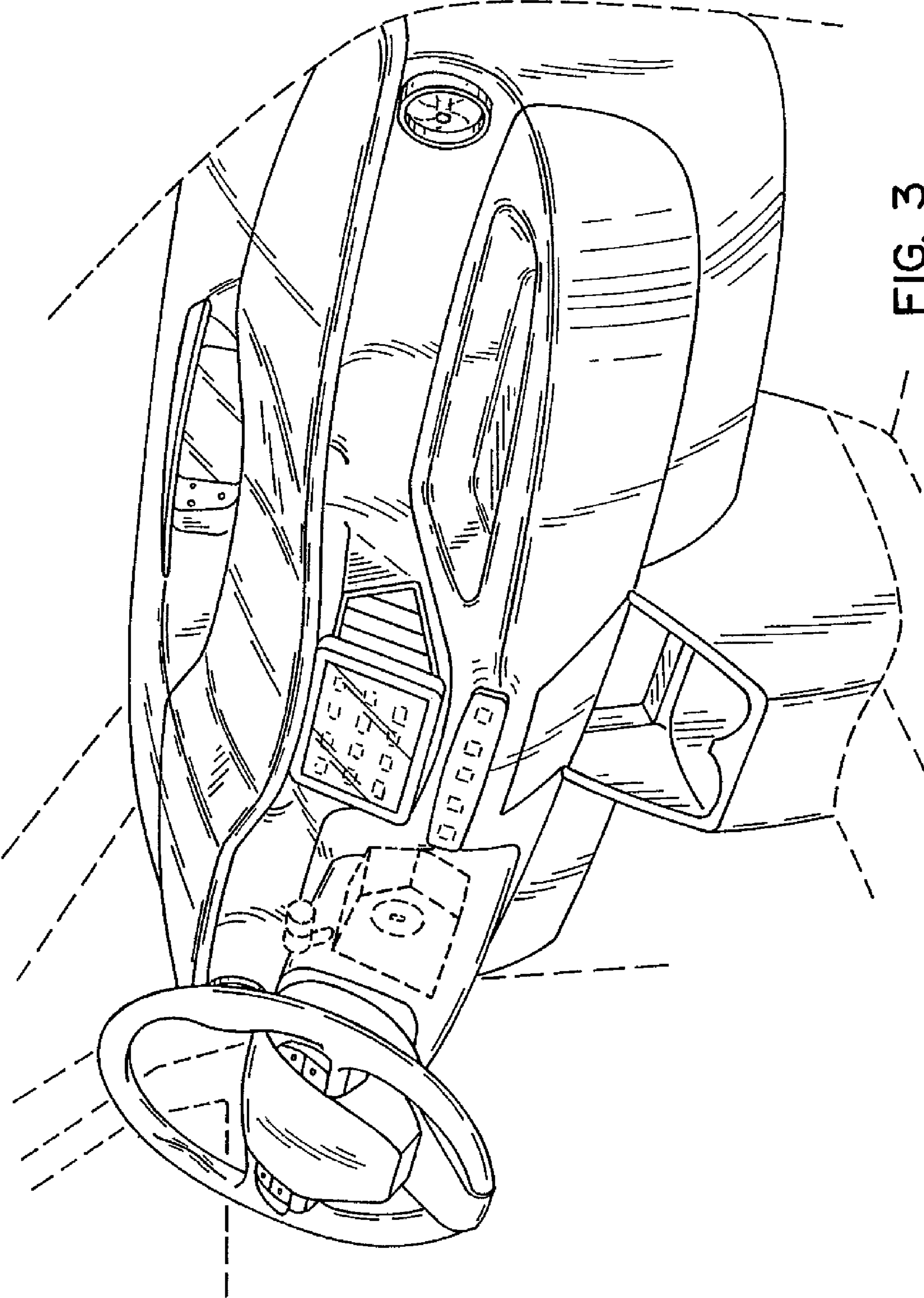


FIG. 3

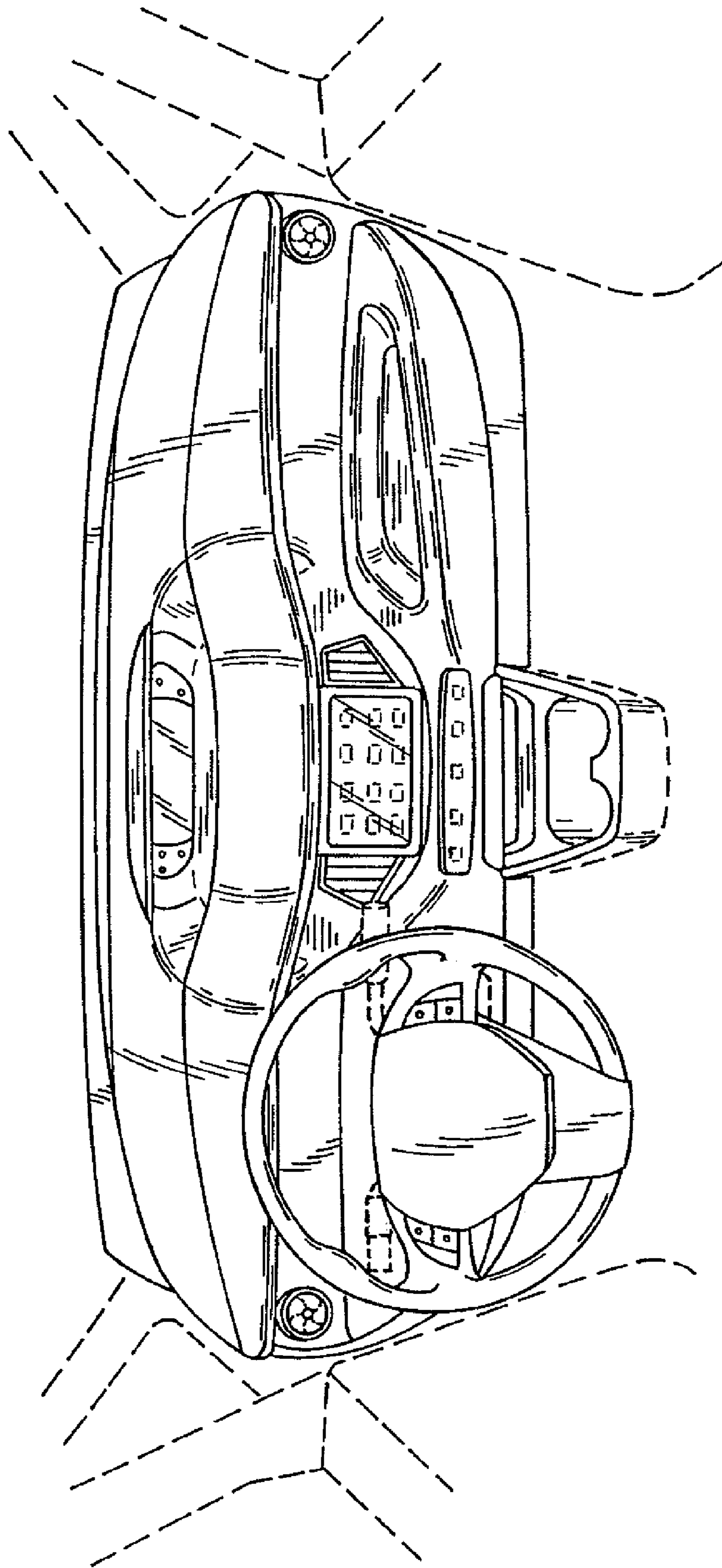


FIG. 4