



US00D626893S

(12) **United States Design Patent**
Chiu

(10) **Patent No.:** **US D626,893 S**

(45) **Date of Patent:** **** Nov. 9, 2010**

(54) **BICYCLE FRAME**

D612,300 S * 3/2010 Lobnitz D12/111

(76) Inventor: **Yi-Lin Chiu**, 3F.-5, No. 262, Sec. 2,
Henan Rd., Situn District, Taichung City
407 (TW)

* cited by examiner

Primary Examiner—Philip S Hyder
Assistant Examiner—Linda G. Brooks
(74) *Attorney, Agent, or Firm*—Banger Shia

(**) Term: **14 Years**

(21) Appl. No.: **29/359,225**

(57) **CLAIM**

(22) Filed: **Apr. 7, 2010**

I claim the ornamental design for a bicycle frame, as shown and described.

(51) **LOC (9) Cl.** **12-11**

(52) **U.S. Cl.** **D12/111**

(58) **Field of Classification Search** D12/111,
D12/117, 110; 280/274–280, 281.1, 288.1–288.3,
280/283–288

See application file for complete search history.

DESCRIPTION

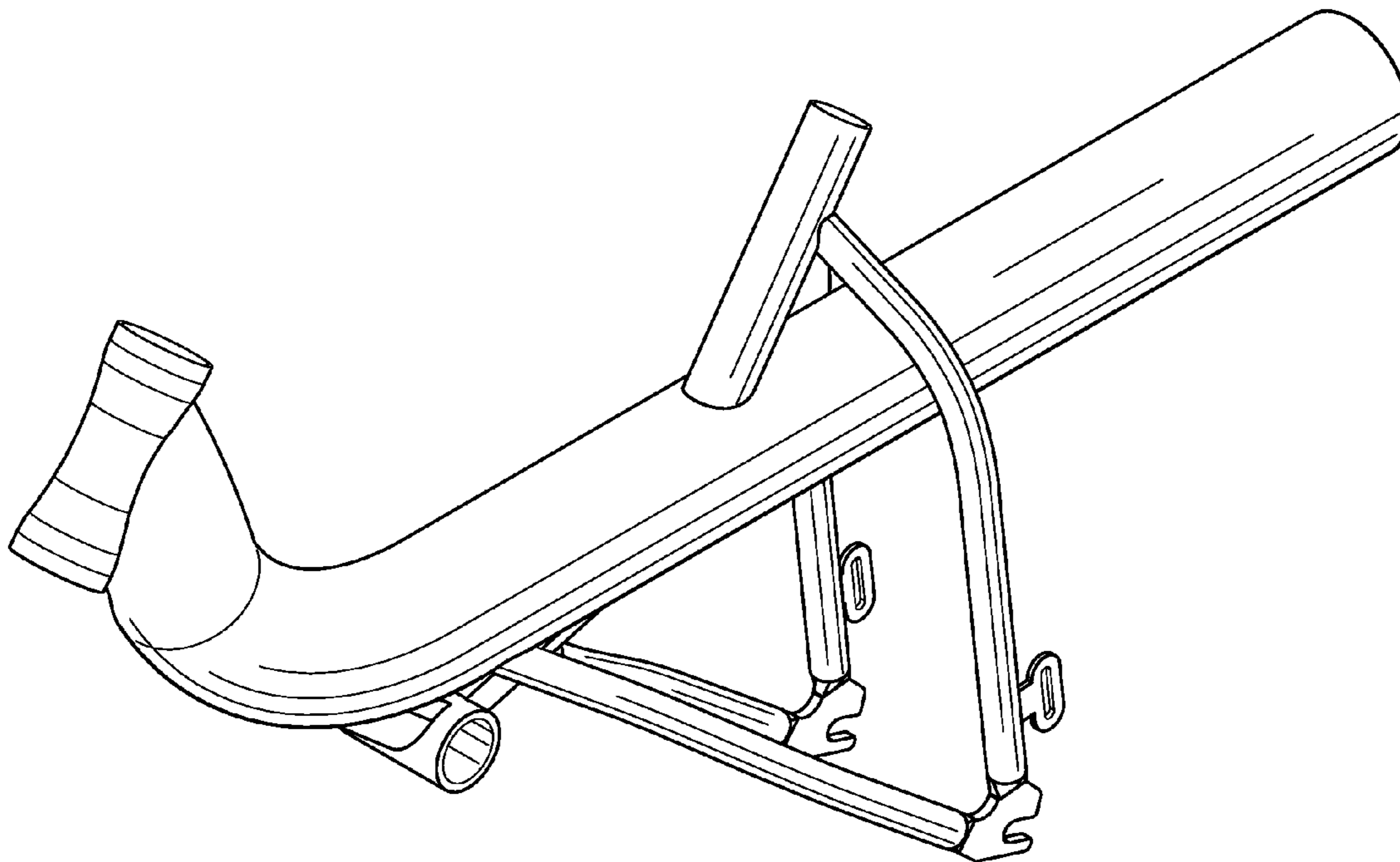
FIG. 1 is a perspective view of a bicycle frame;
FIG. 2 is a front view thereof;
FIG. 3 is a rear view thereof;
FIG. 4 is a left view thereof;
FIG. 5 is a right view thereof;
FIG. 6 is a top plan view thereof; and,
FIG. 7 is a bottom plan view thereof.

(56) **References Cited**

U.S. PATENT DOCUMENTS

D218,659 S * 9/1970 Lobnitz D12/111
D323,477 S * 1/1992 Peart et al. D12/111
D340,011 S * 10/1993 Chen D12/111

1 Claim, 7 Drawing Sheets



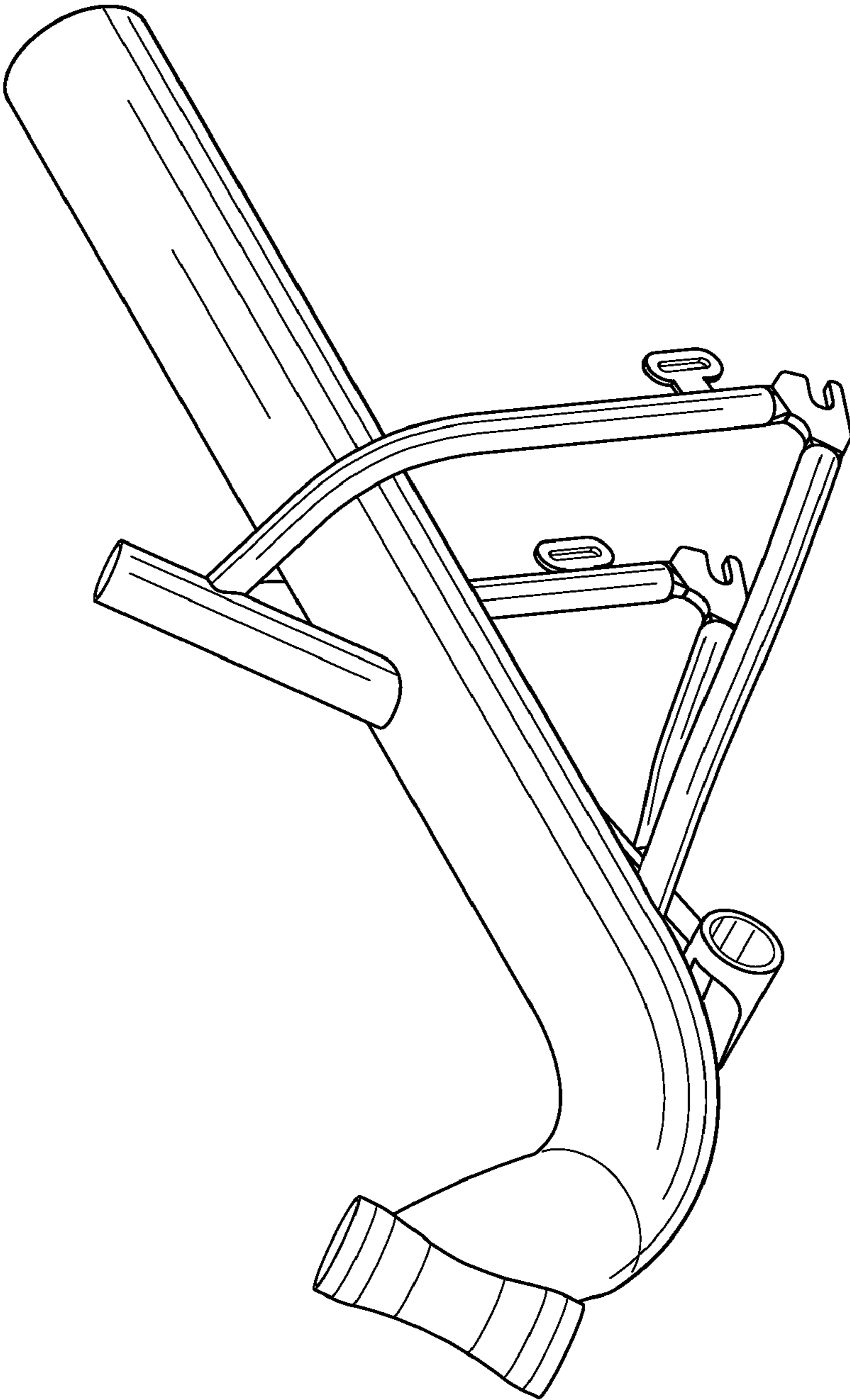


FIG.1

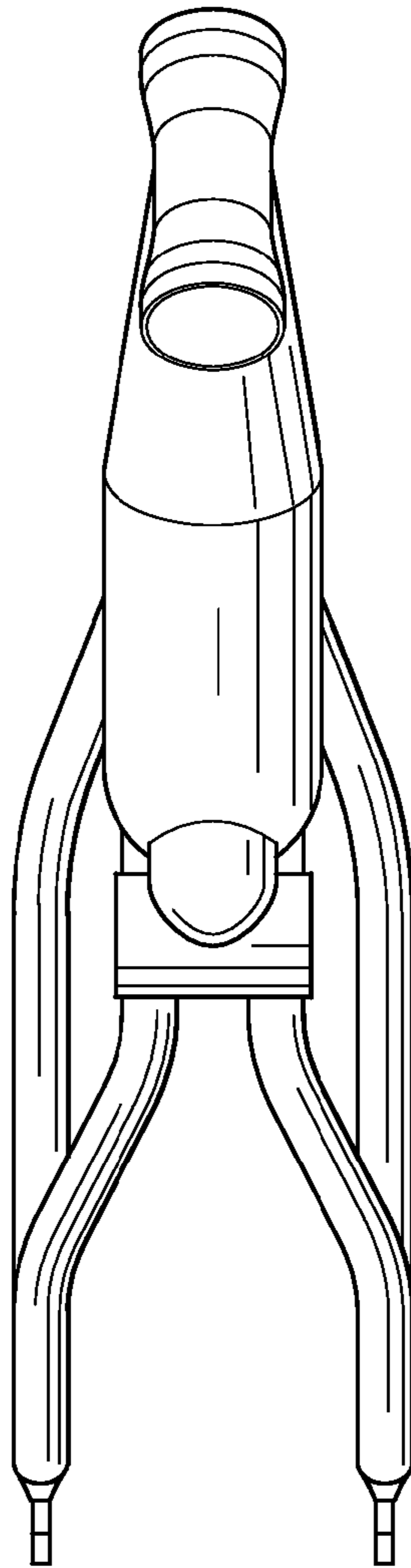


FIG.2

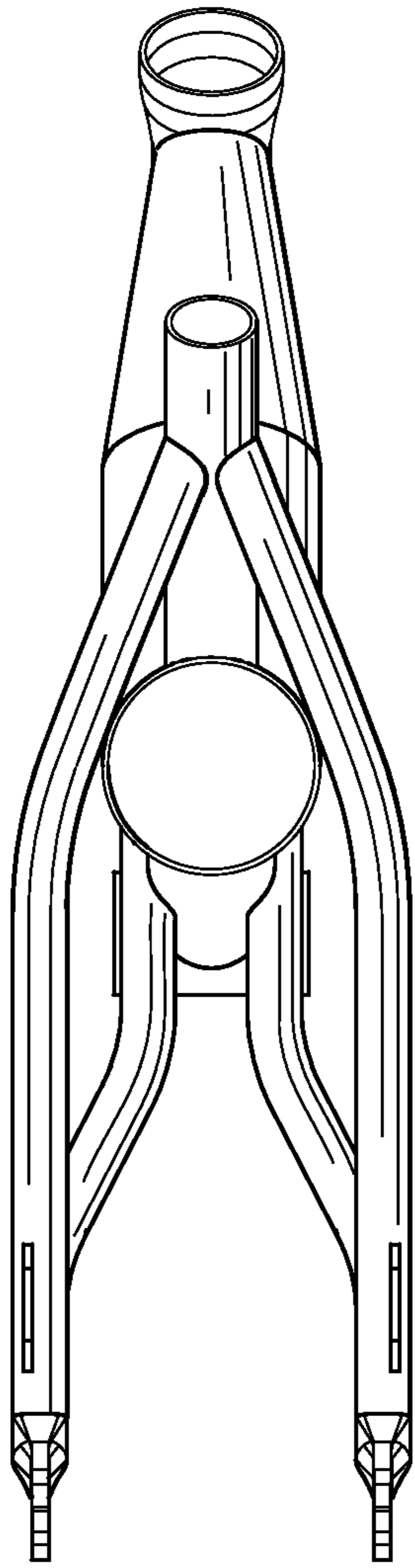


FIG.3

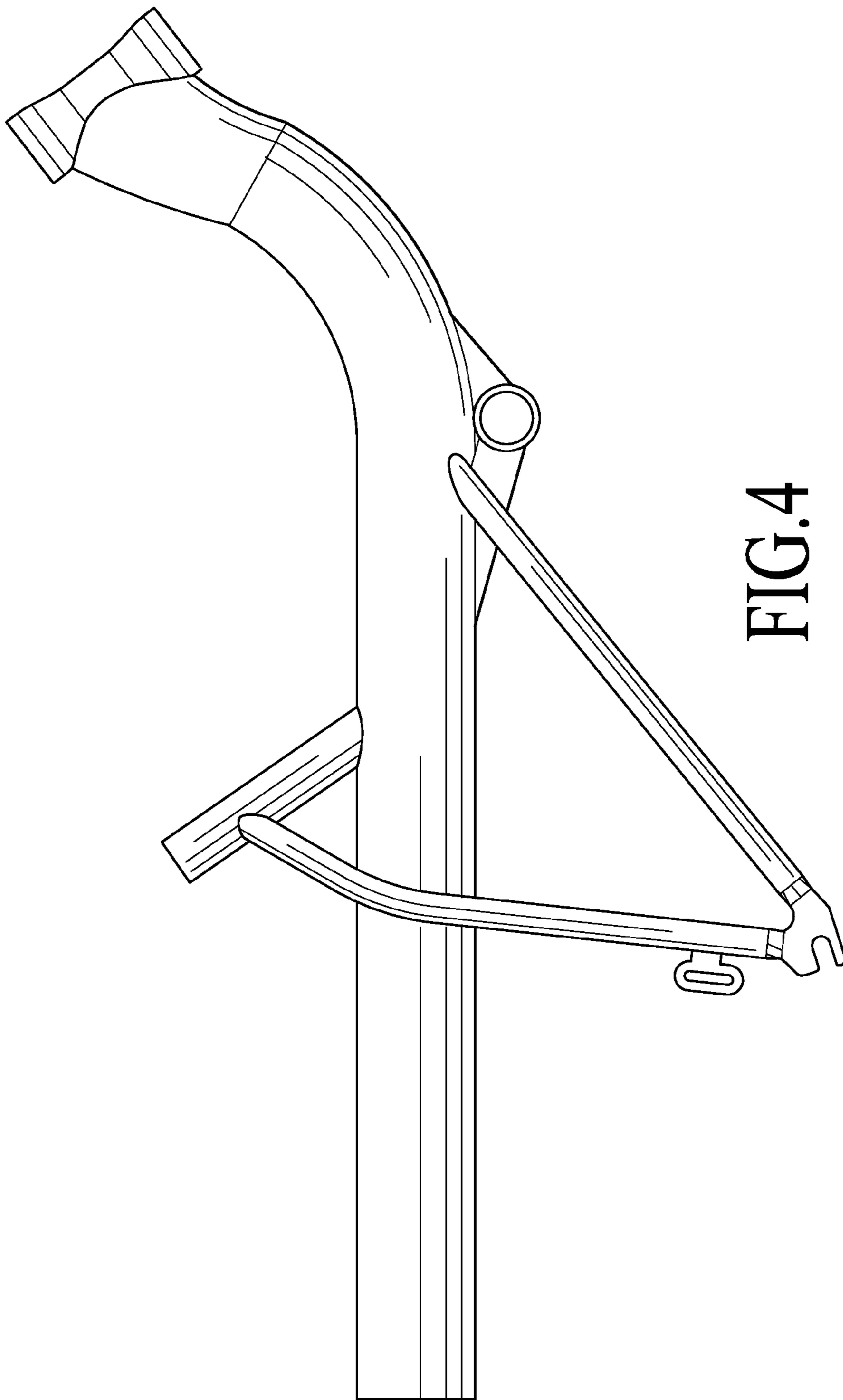


FIG. 4

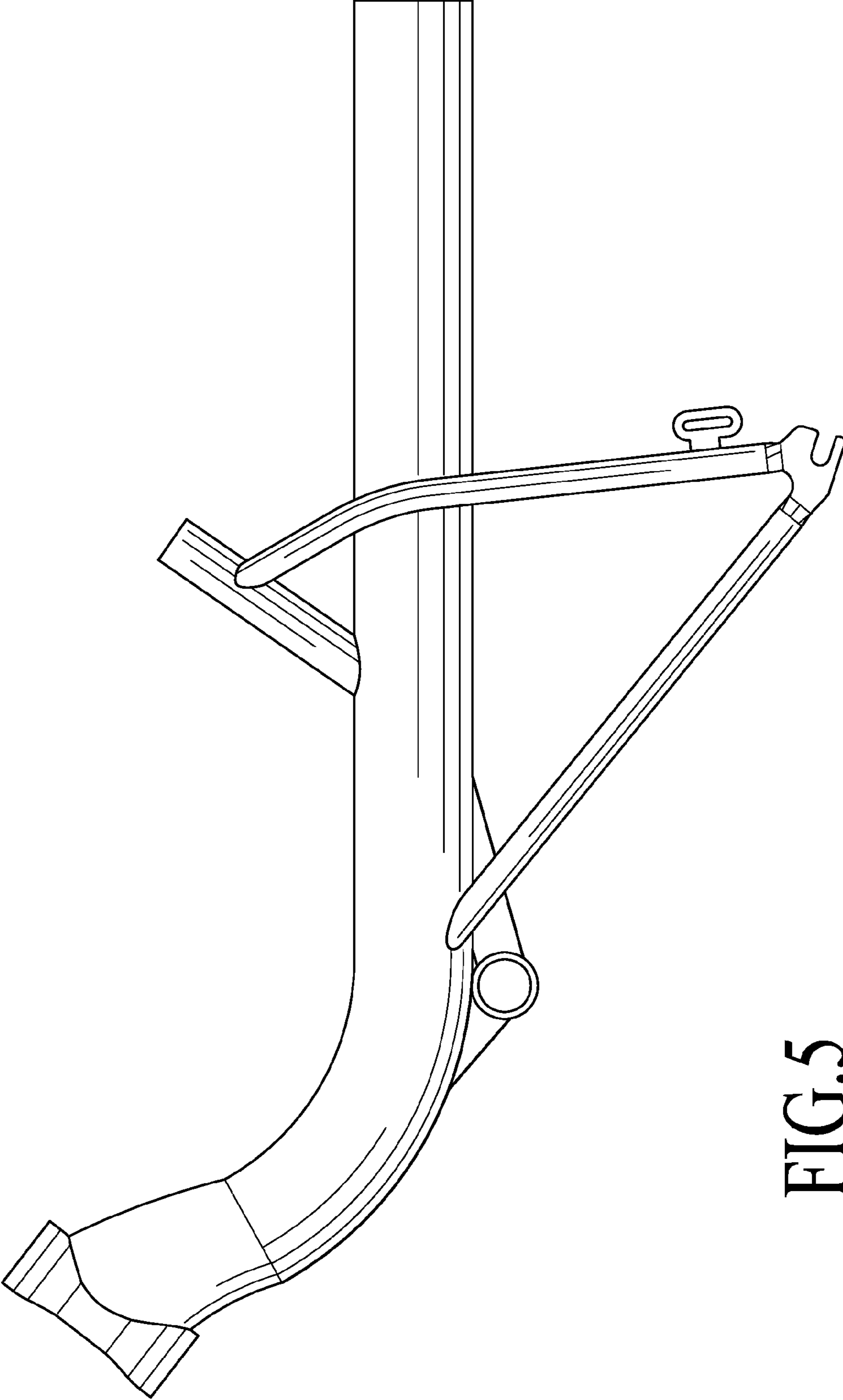


FIG. 5

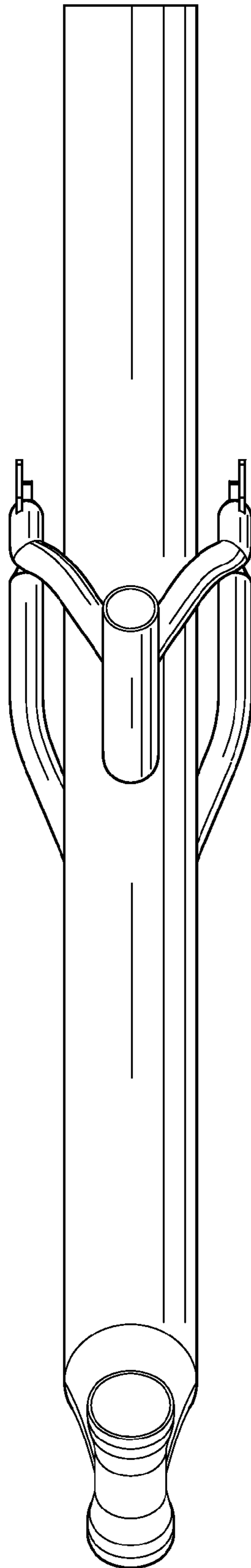


FIG.6

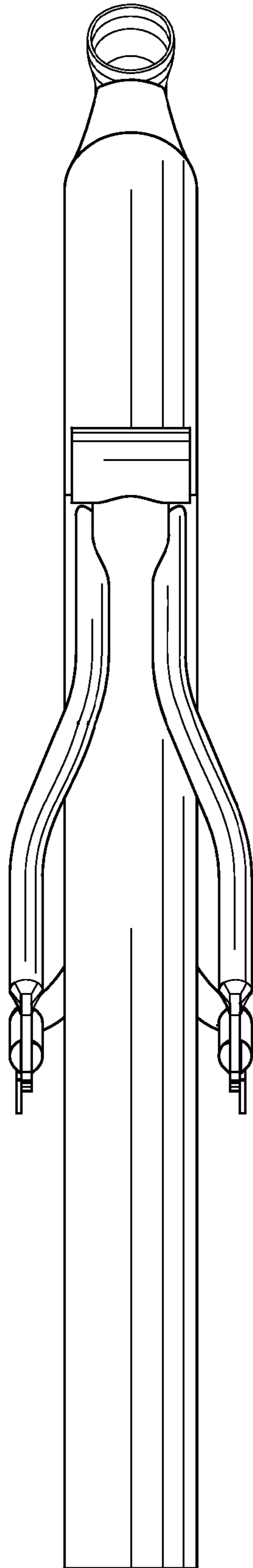


FIG. 7