



US00D626890S

(12) **United States Design Patent**  
**Cantemir**

(10) **Patent No.:** **US D626,890 S**

(45) **Date of Patent:** **\*\* Nov. 9, 2010**

(54) **TRUCK**

(76) **Inventor:** **Codrin-Gruie Cantemir**, 3941 Easton Way, Columbus, OH (US) 43219

(\*\*) **Term:** **14 Years**

(21) **Appl. No.:** **29/360,021**

(22) **Filed:** **Apr. 19, 2010**

(51) **LOC (9) Cl.** ..... **12-08**

(52) **U.S. Cl.** ..... **D12/93; D12/96; D12/12; D12/16**

(58) **Field of Classification Search** ..... D12/93, D12/96, 97, 99; D21/424, 434, 581; 180/89.16, 180/89.18, 89.19; 296/183.1  
See application file for complete search history.

(56) **References Cited**

**U.S. PATENT DOCUMENTS**

D242,996 S *	1/1977	Servais et al. ....	D12/97
D339,314 S *	9/1993	Moar .....	D12/96
D357,436 S *	4/1995	Moar .....	D12/96

D392,597 S *	3/1998	Brounstein .....	D12/97
D436,894 S *	1/2001	Barraclough et al. ....	D12/96
D467,525 S *	12/2002	Sarmiento .....	D12/93
D570,253 S *	6/2008	Cunagin et al. ....	D12/96
D593,907 S *	6/2009	Piedy .....	D12/96

\* cited by examiner

*Primary Examiner*—Melody N Brown

(74) *Attorney, Agent, or Firm*—Standley Law Group LLP

(57) **CLAIM**

The ornamental design for a truck, as shown and described.

**DESCRIPTION**

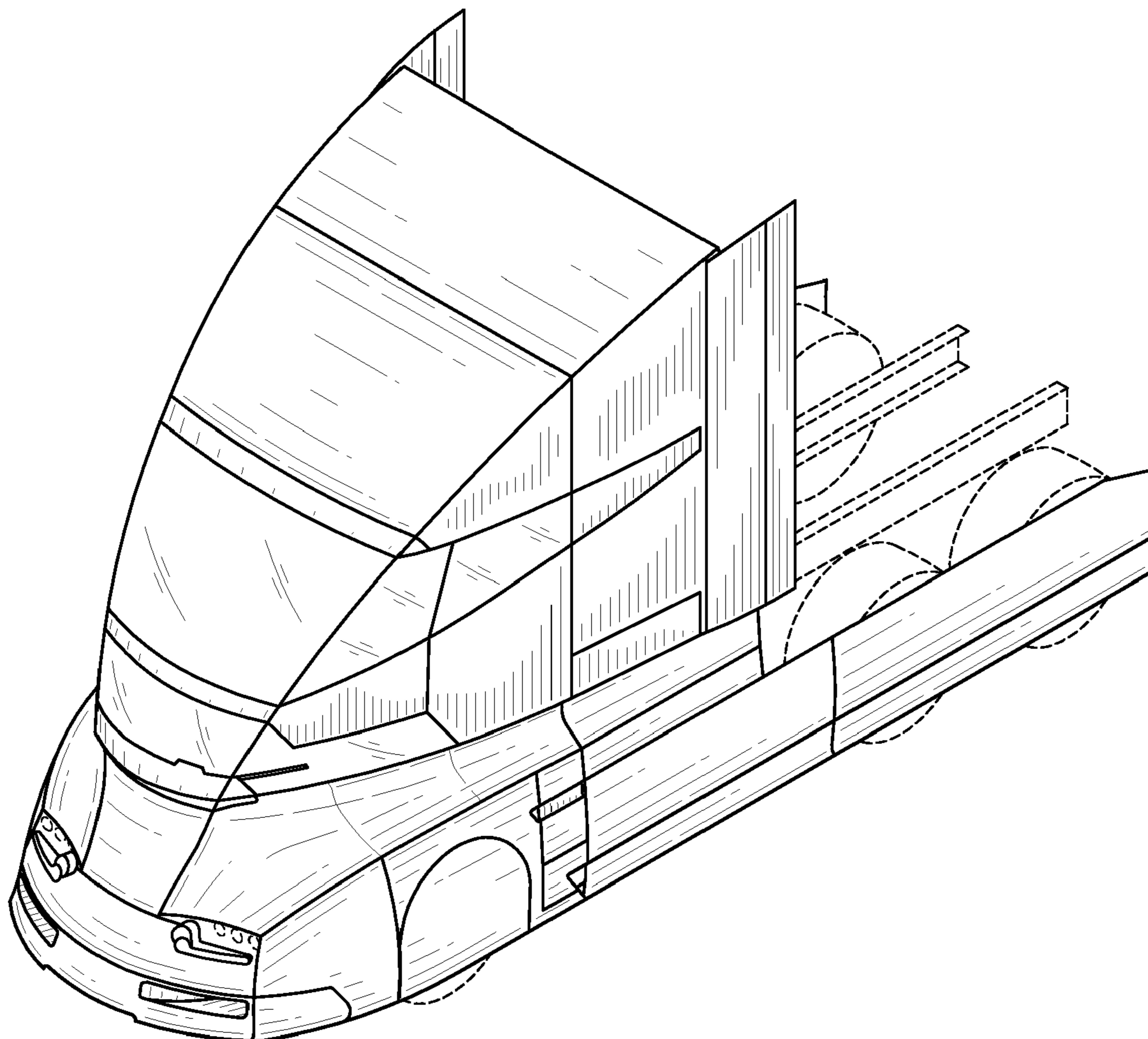
FIG. 1 is a front and left side perspective view of a truck showing my new design;

FIG. 2 is a right side elevational view thereof; and,

FIG. 3 is a front elevational view thereof.

The broken lines in the drawing are for illustrative purposes only and form no part of the claimed design.

**1 Claim, 2 Drawing Sheets**



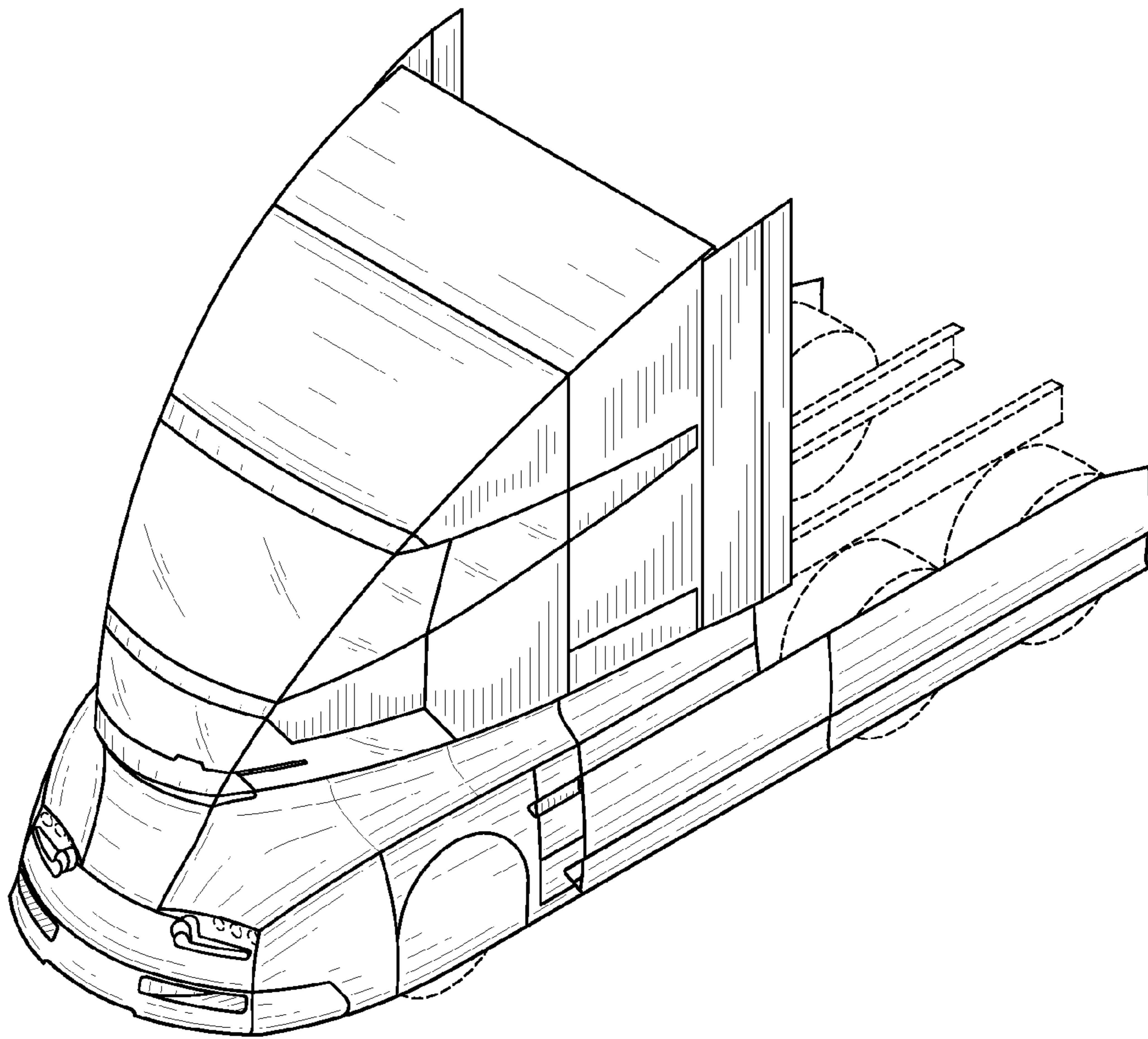


FIG-1

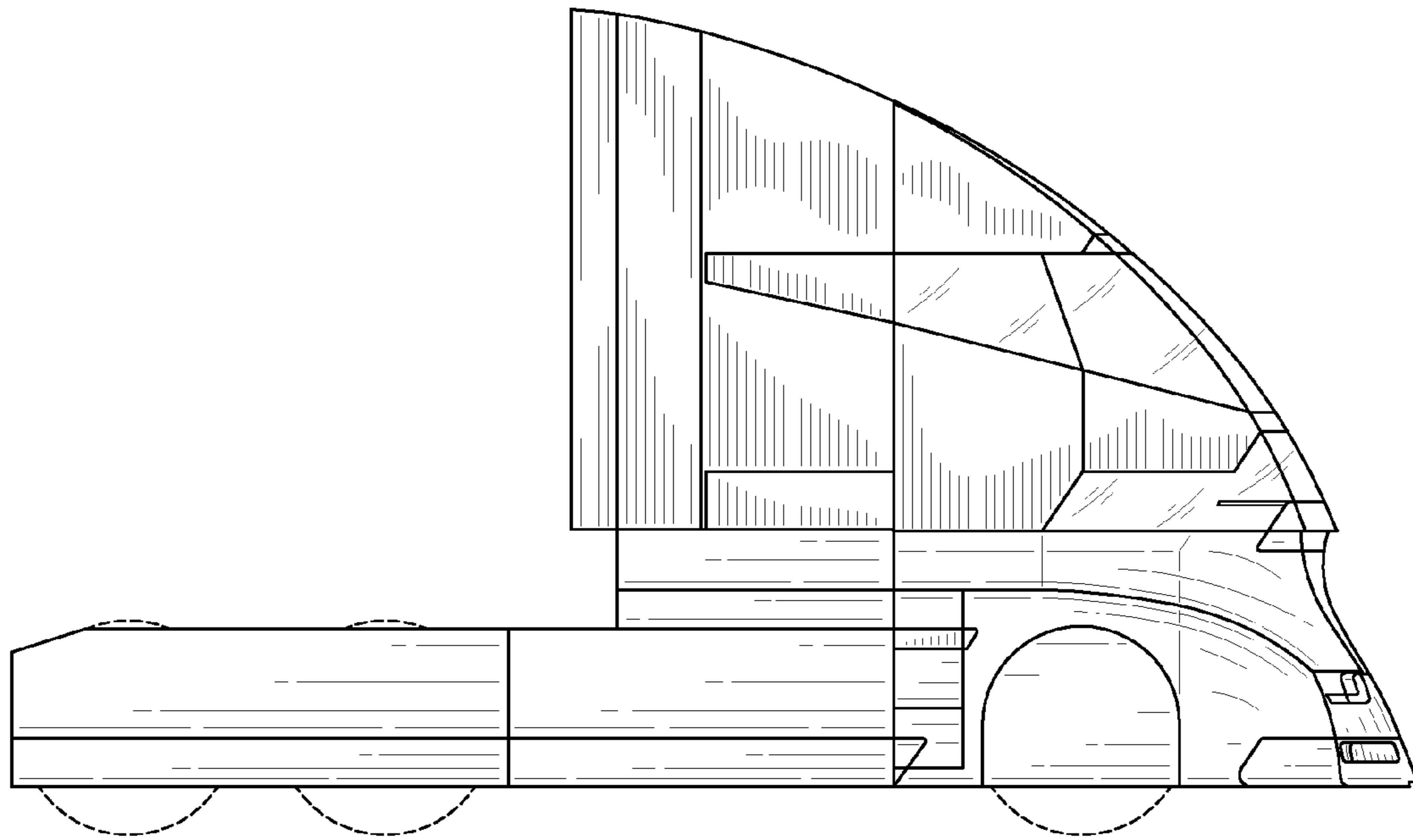


FIG-2

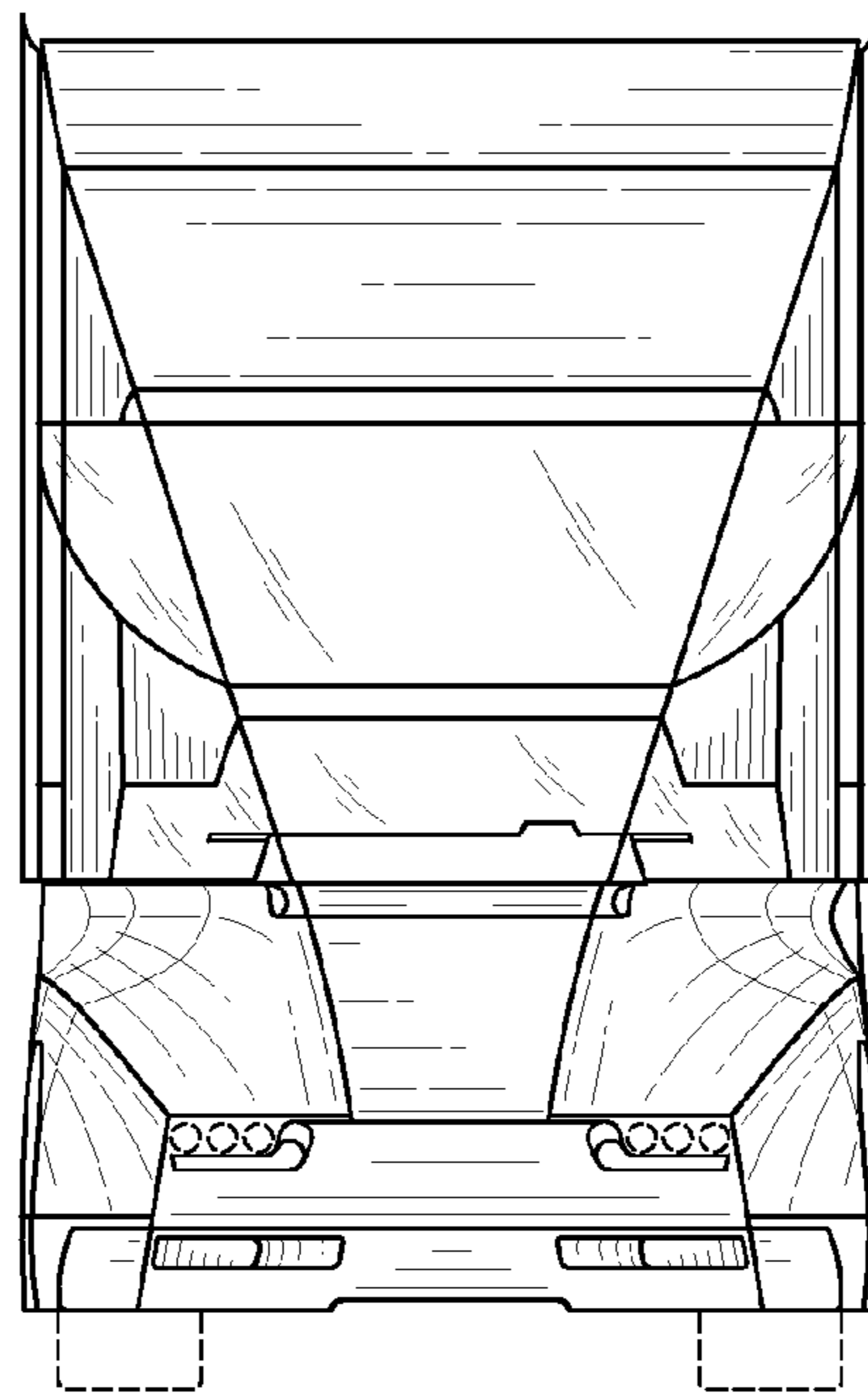


FIG-3