



US00D626889S

(12) **United States Design Patent**  
**Shepard**

(10) **Patent No.:** **US D626,889 S**

(45) **Date of Patent:** **\*\* Nov. 9, 2010**

(54) **AUTOMOBILE**

(76) **Inventor:** **Steven Shepard**, 618 N. Bicycle Path,  
Port Jefferson Station, NY (US) 11776

(\*\*) **Term:** **14 Years**

(21) **Appl. No.:** **29/370,208**

(22) **Filed:** **Jun. 16, 2010**

(51) **LOC (9) Cl.** ..... **12-08**

(52) **U.S. Cl.** ..... **D12/92**

(58) **Field of Classification Search** ..... D12/86,  
D12/90-92; D21/424, 433, 434; 296/181.1,  
296/181.5

See application file for complete search history.

(56) **References Cited**

**U.S. PATENT DOCUMENTS**

|              |        |                 |       |         |
|--------------|--------|-----------------|-------|---------|
| D243,077 S * | 1/1977 | Pray            | ..... | D12/413 |
| D381,294 S * | 7/1997 | Forbes-Robinson | ..... | D12/91  |
| D381,937 S * | 8/1997 | Forbes-Robinson | ..... | D12/92  |
| D391,901 S * | 3/1998 | Forbes-Robinson | ..... | D12/92  |
| D394,420 S * | 5/1998 | Forbes-Robinson | ..... | D12/92  |
| D422,240 S * | 4/2000 | Cook            | ..... | D12/91  |
| D423,988 S * | 5/2000 | Luntz           | ..... | D12/92  |

|              |         |                  |       |        |
|--------------|---------|------------------|-------|--------|
| D444,736 S * | 7/2001  | Schuttera et al. | ..... | D12/92 |
| D522,918 S * | 6/2006  | Khoury et al.    | ..... | D12/92 |
| D543,135 S * | 5/2007  | Trostle et al.   | ..... | D12/92 |
| D553,051 S * | 10/2007 | Chung et al.     | ..... | D12/91 |
| D553,052 S * | 10/2007 | Hettler          | ..... | D12/92 |
| D563,835 S * | 3/2008  | Dean et al.      | ..... | D12/92 |

\* cited by examiner

*Primary Examiner*—Melody N Brown

(74) *Attorney, Agent, or Firm*—Bernard S. Hoffman

(57) **CLAIM**

The ornamental design for an automobile, as shown and described.

**DESCRIPTION**

FIG. 1 is a perspective view of an automobile showing my new design;

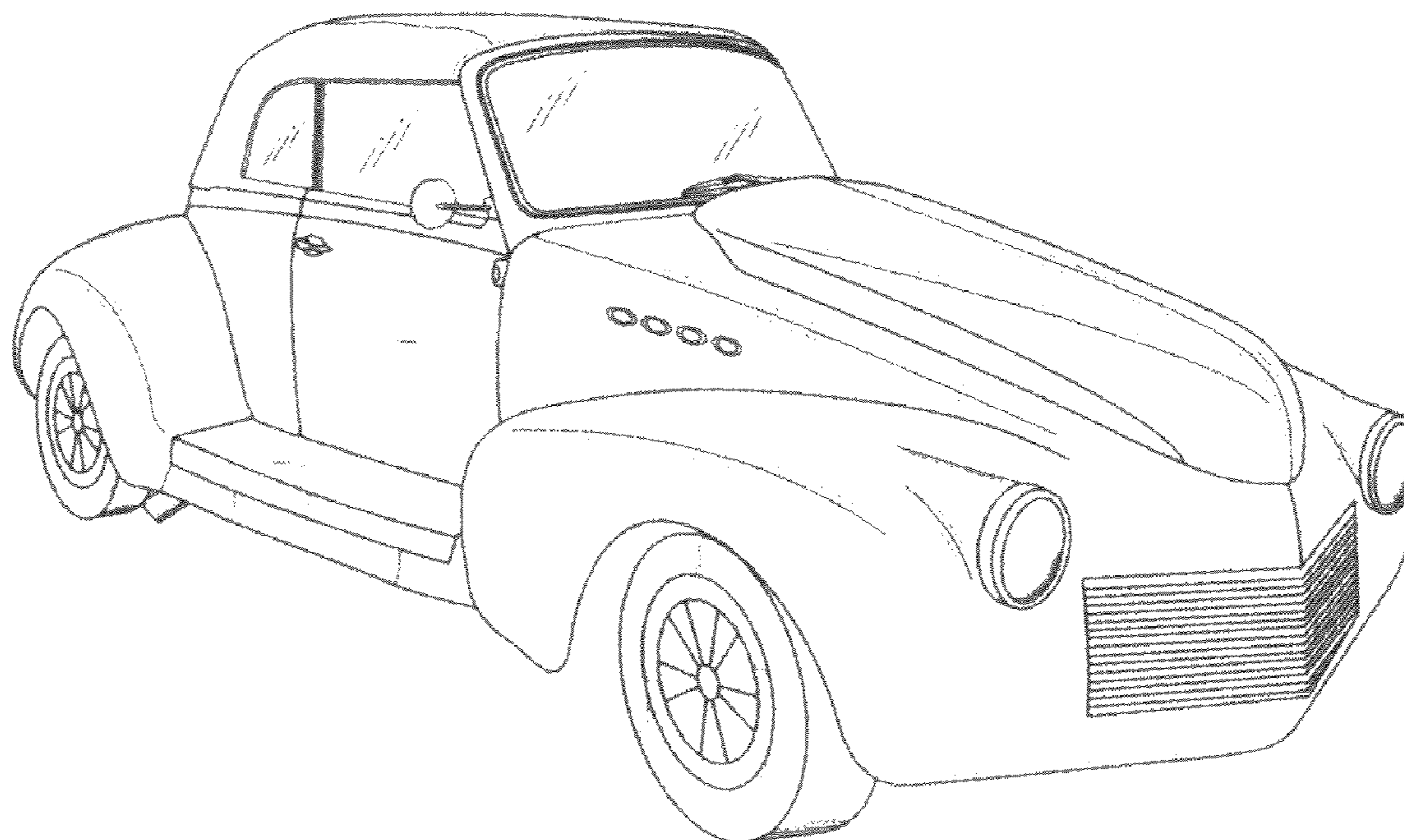
FIG. 2 is a left side elevational view thereof, the right side being a mirror of the side shown;

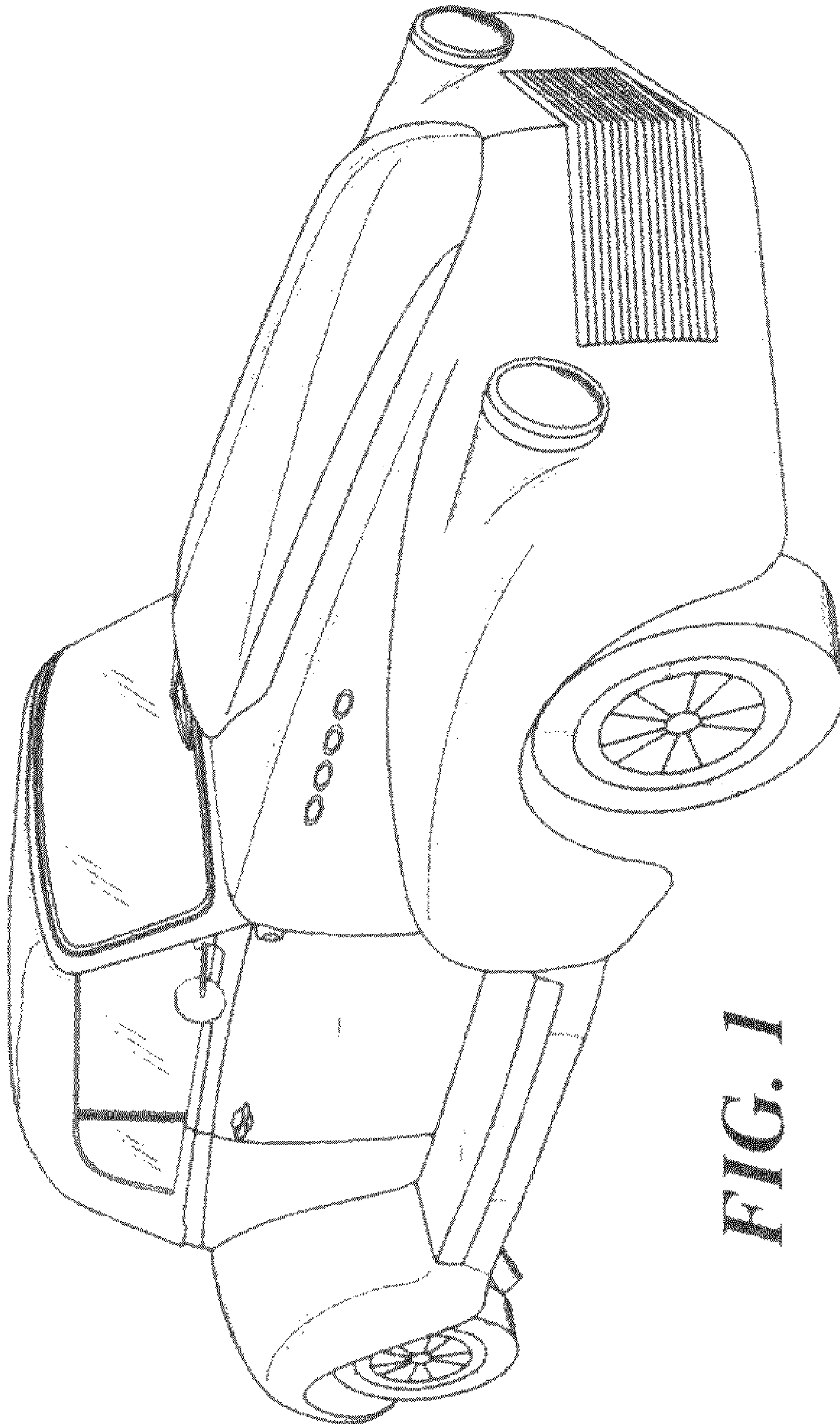
FIG. 3 is a top plan view thereof;

FIG. 4 is a front elevational view thereof; and,

FIG. 5 is a rear elevational view thereof.

**1 Claim, 4 Drawing Sheets**





**FIG. 1**

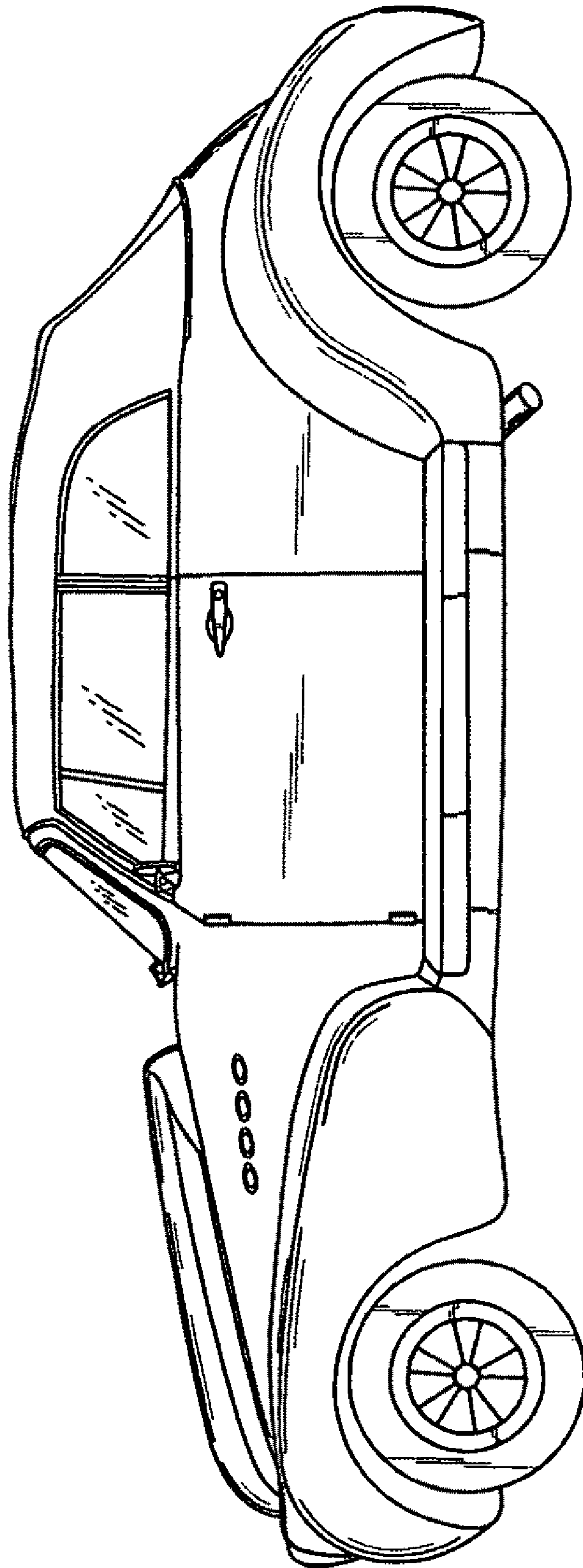
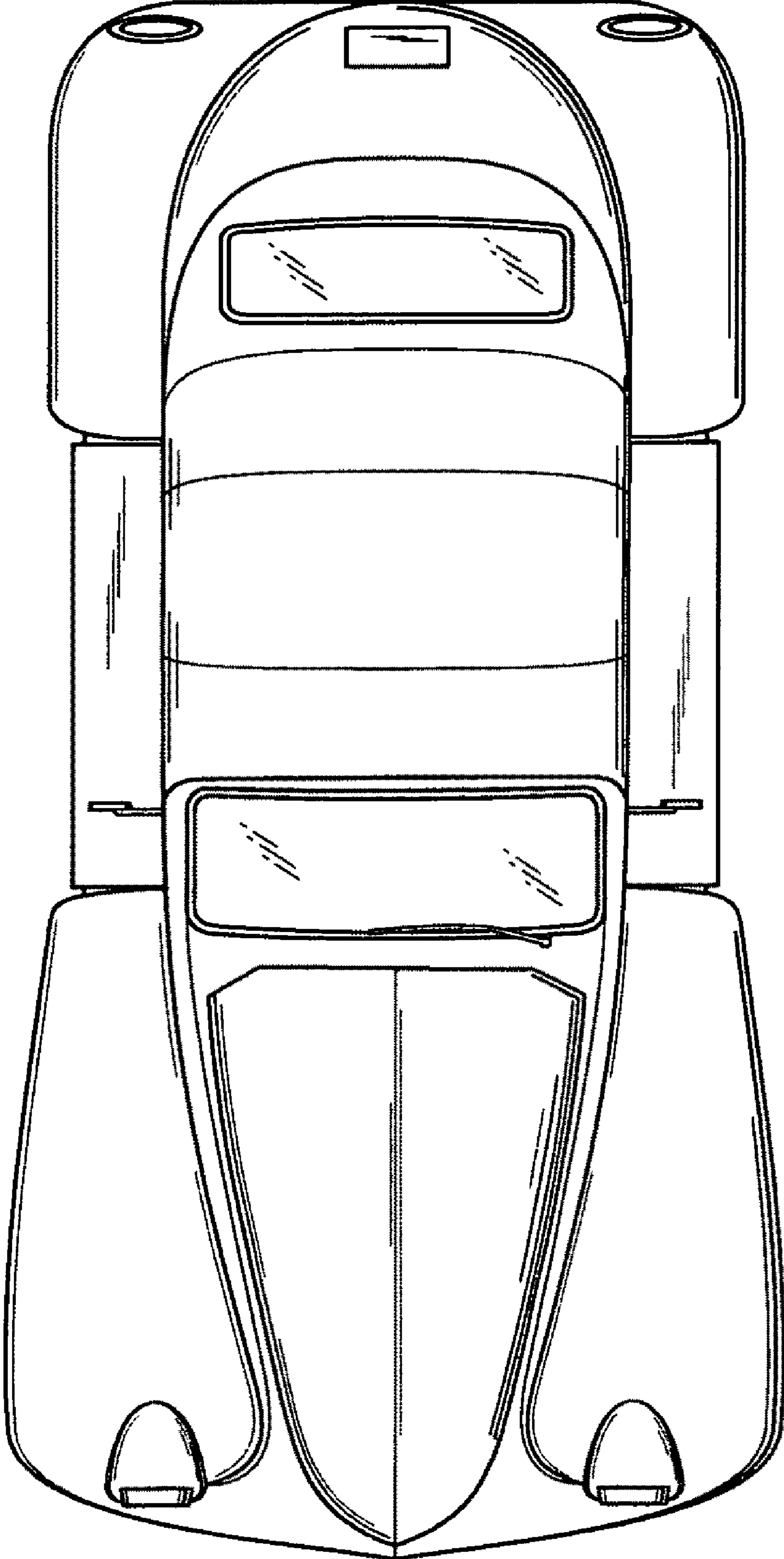


FIG. 2



**FIG. 3**

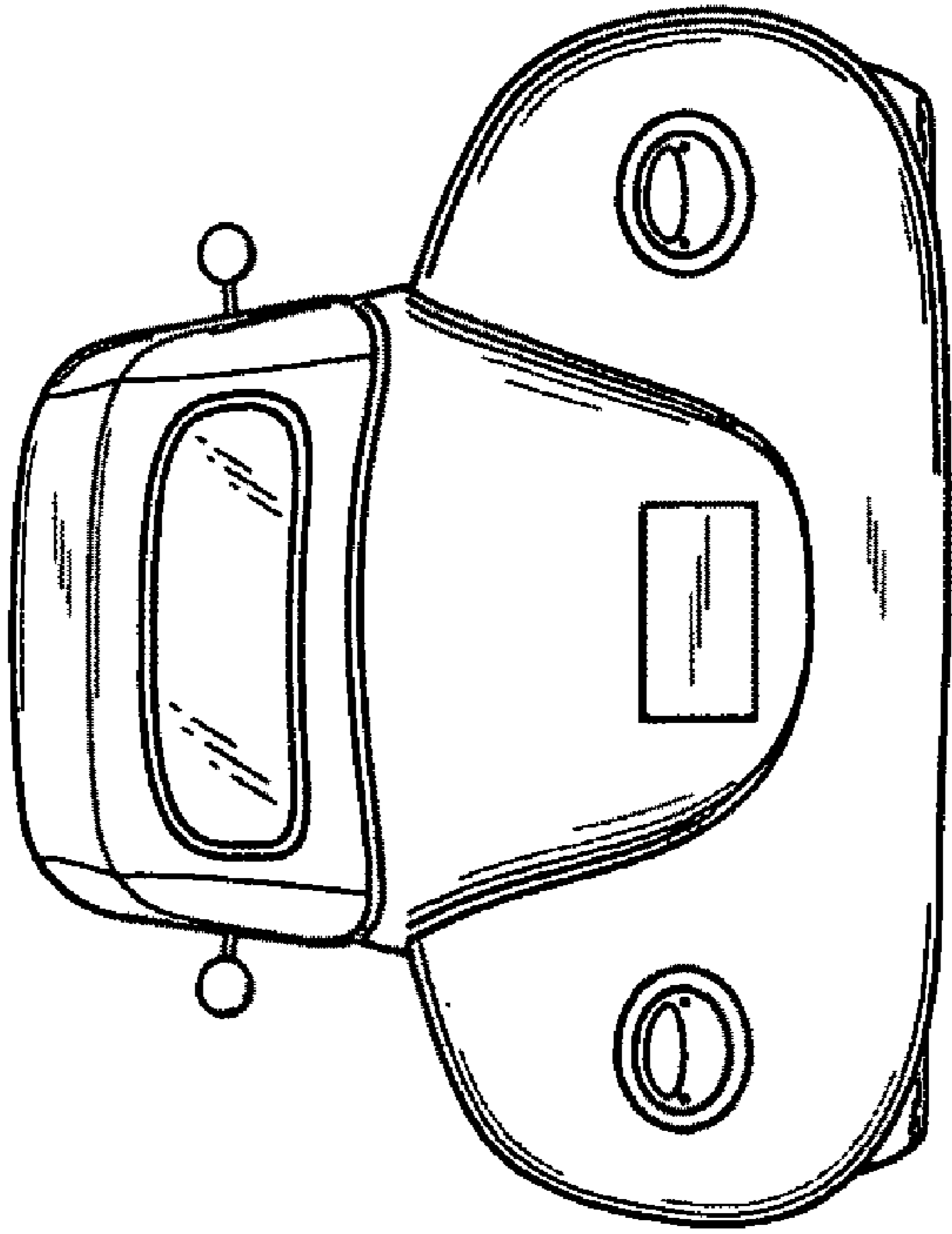


FIG. 5

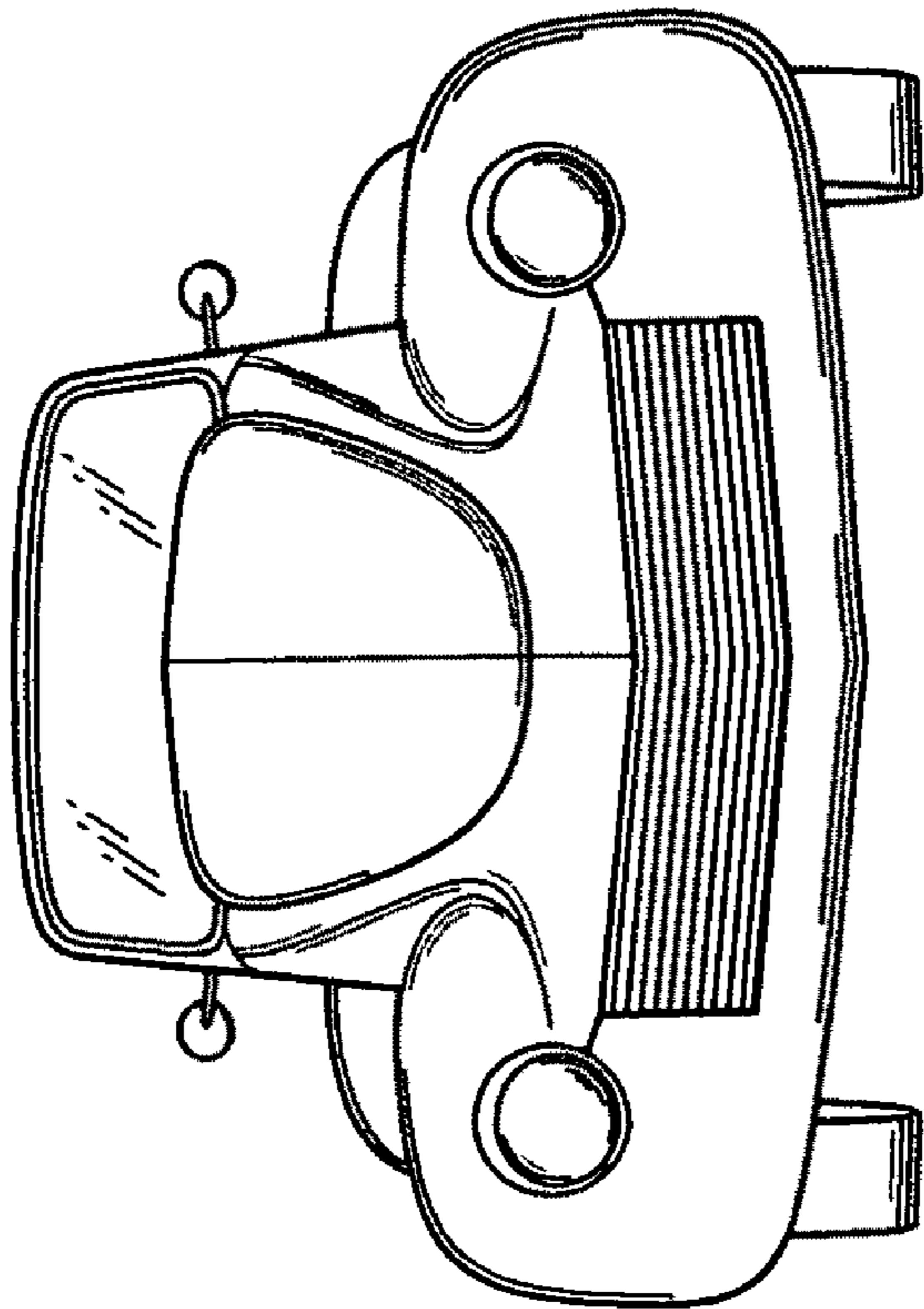


FIG. 4