



US00D626882S

(12) **United States Design Patent**
Johnston

(10) **Patent No.:** **US D626,882 S**

(45) **Date of Patent:** **** Nov. 9, 2010**

(54) **JEWELRY ITEM**

(76) **Inventor:** **Cynthia B. Johnston**, 6040 Mines Rd.,
Pulaski, VA (US) 24301

(**) **Term:** **14 Years**

(21) **Appl. No.:** **29/357,999**

(22) **Filed:** **Mar. 19, 2010**

(51) **LOC (9) Cl.** **11-03**

(52) **U.S. Cl.** **D11/96; D11/40; D11/43;**
D11/81; D99/27

(58) **Field of Classification Search** D11/1,
D11/2, 7, 56, 32, 157, 103, 40-44, 81, 83,
D11/86, 95, 96, 59, 61, 79, 75; 63/1.11,
63/18-20, 207-211; D99/27

See application file for complete search history.

(56) **References Cited**

U.S. PATENT DOCUMENTS

D39,245 S	4/1908	Lederer	
D52,342 S *	8/1918	Peters	D11/61
D54,335 S *	12/1919	Shanley	D11/96
D55,382 S	6/1920	Hovekamp	
D58,642 S	8/1921	Thill	
D113,222 S	2/1939	Fehr	
D115,252 S *	6/1939	Kemsley	D11/96
D116,859 S	9/1939	McDonald	
D120,886 S	6/1940	Glaser	
2,246,122 A *	6/1941	Brennan	428/3
D168,489 S *	12/1952	Wasmund	D11/96
3,415,079 A *	12/1968	Tomchin	63/23
D247,615 S	3/1978	Linick	
D268,963 S *	5/1983	Wiman	D99/27
D299,779 S *	2/1989	Kohen et al.	D99/27
D300,079 S *	2/1989	Smith	D99/27

D329,402 S	9/1992	Zears	
D473,819 S *	4/2003	Santiago	D11/96
D475,170 S	5/2003	Garcia	
D485,206 S	1/2004	Pachachi	
D511,711 S *	11/2005	Steshik	D11/96
D518,754 S *	4/2006	Dias	D11/96
D525,163 S *	7/2006	Balch	D11/86
D571,686 S	6/2008	Gaines	
D580,815 S	11/2008	Powell	
D594,379 S	6/2009	Cion	

* cited by examiner

Primary Examiner—Robert M Spear

Assistant Examiner—Rashida C McCoy

(74) *Attorney, Agent, or Firm*—QuickPatents, Inc.; Kevin Prince

(57) **CLAIM**

What is claimed is the ornamental design for a jewelry item, as shown and described.

DESCRIPTION

FIG. 1 is a perspective view of a jewelry item, showing the new design;

FIG. 2 is a front elevational view thereof;

FIG. 3 is a rear elevational view thereof;

FIG. 4 is a top plan view thereof;

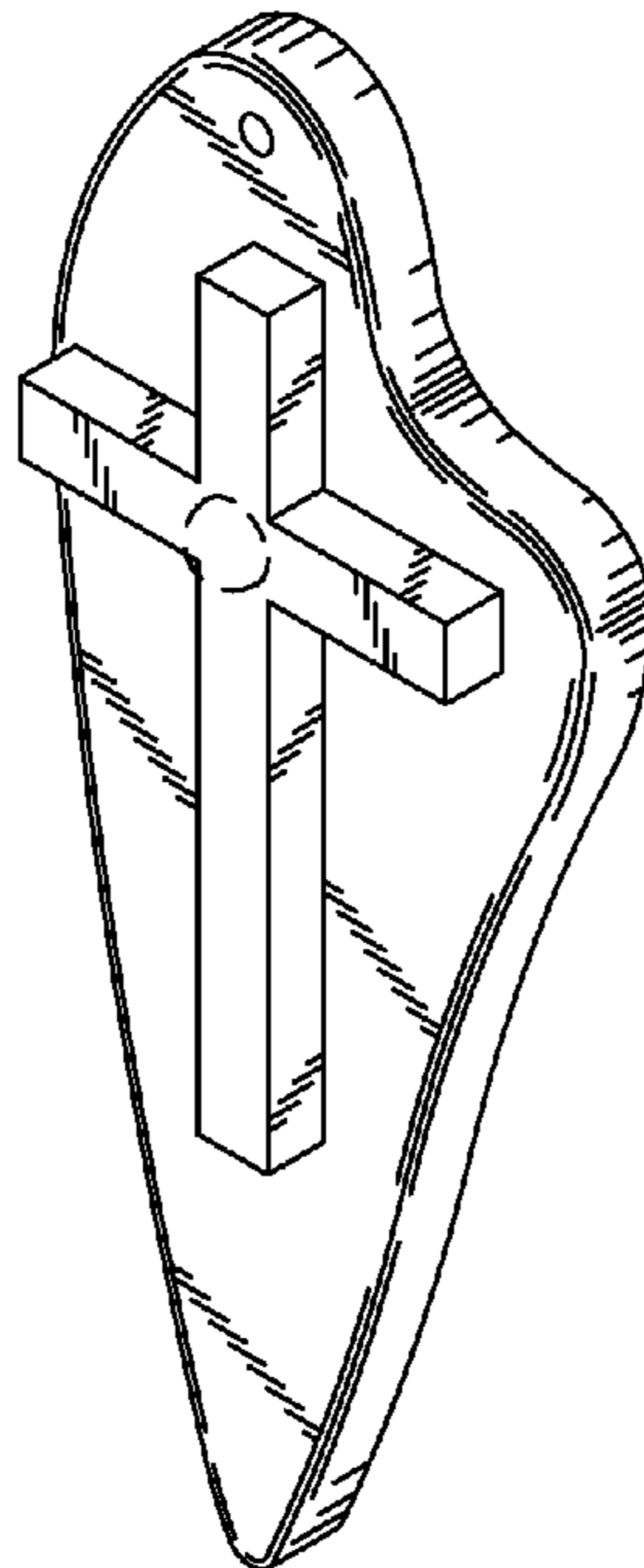
FIG. 5 is a bottom plan view thereof.

FIG. 6 is a right-side elevational view thereof; and,

FIG. 7 is a left-side elevational view thereof.

The broken lines showing a gem stone in FIG. 1 are included for the purpose of illustrating the invention in use, and form no part of the claimed design.

1 Claim, 1 Drawing Sheet



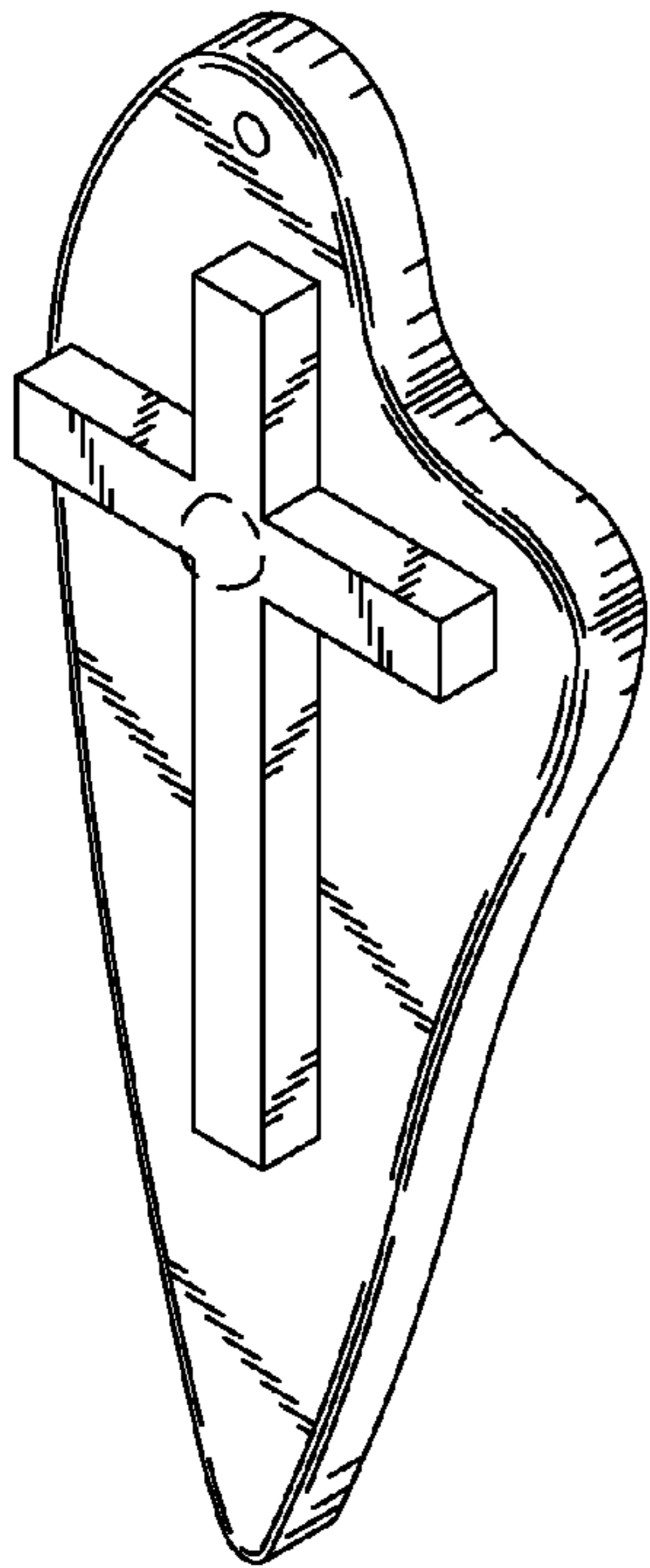


FIG. 1

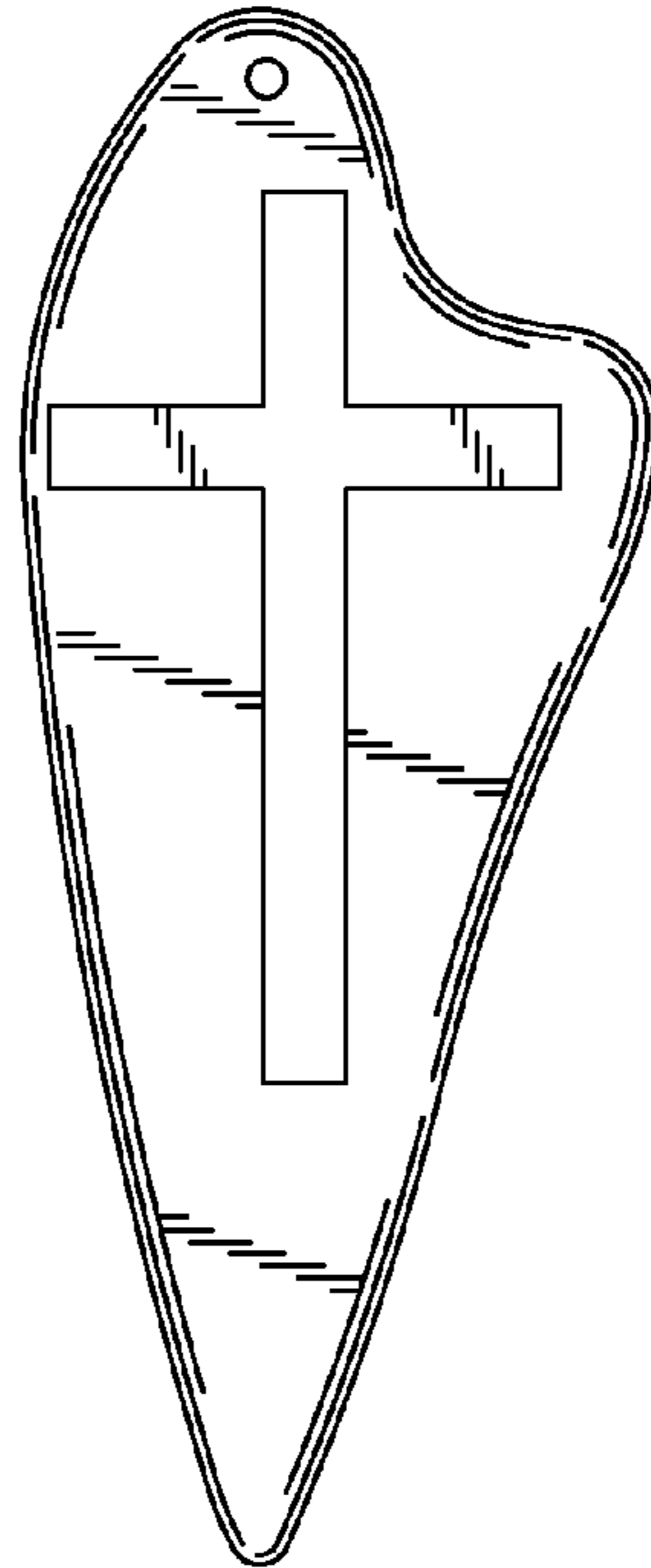


FIG. 2

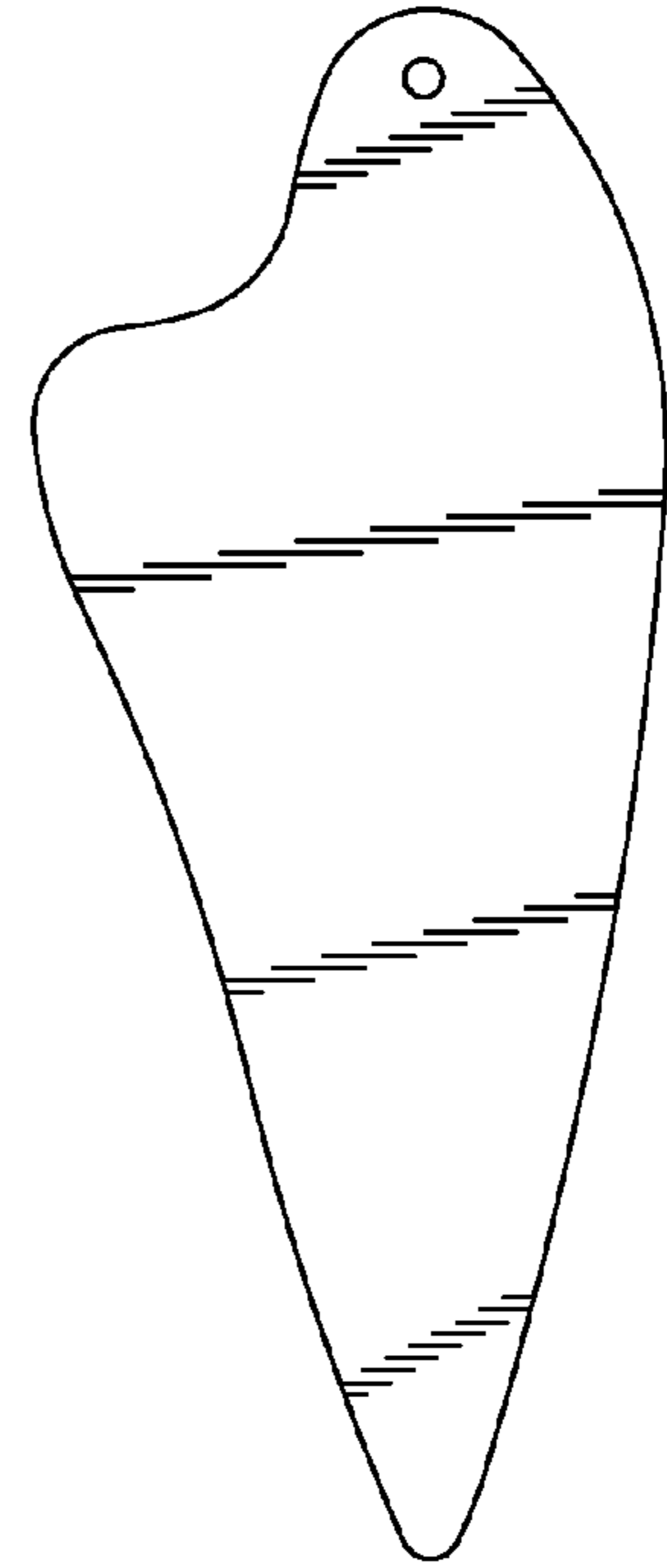


FIG. 3

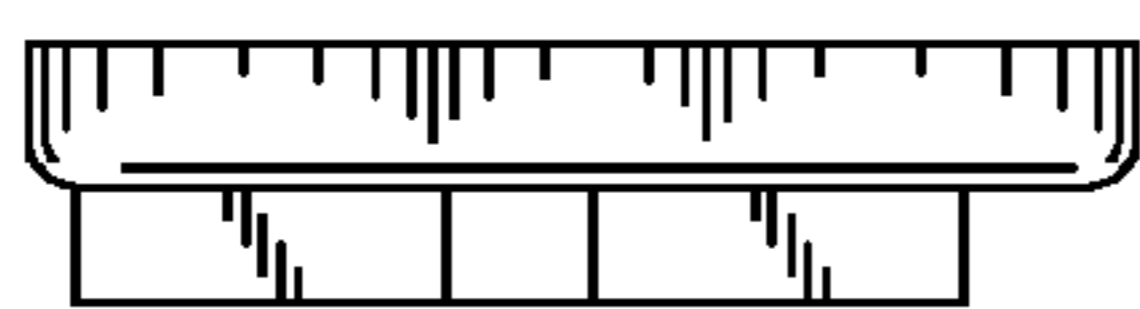


FIG. 4

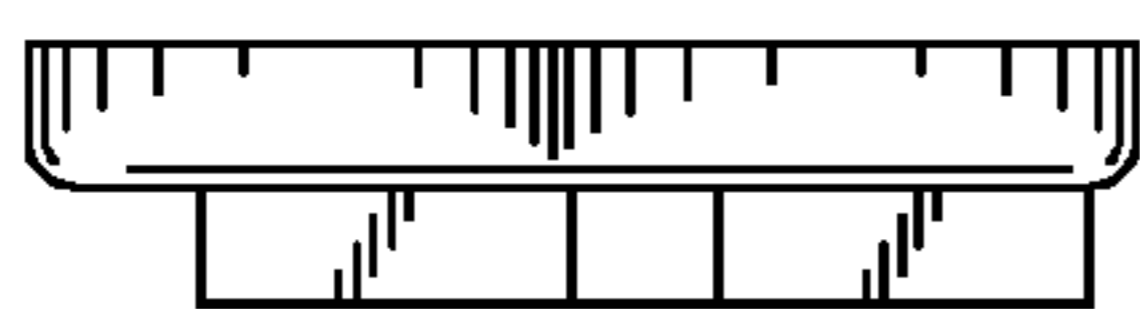


FIG. 5

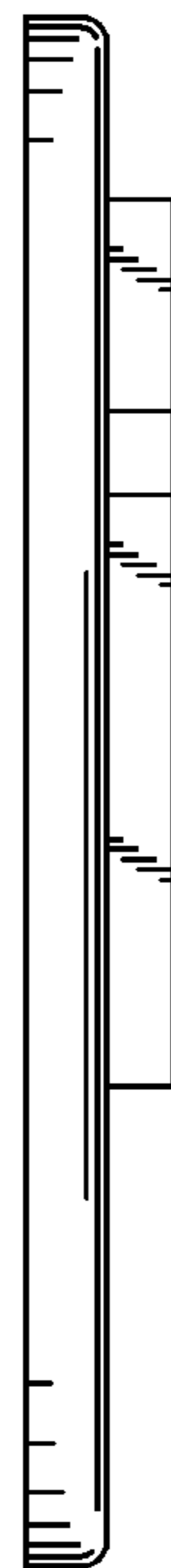


FIG. 6

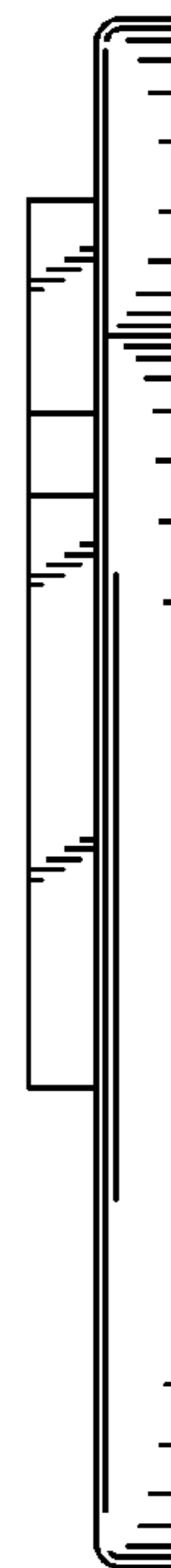


FIG. 7