



US00D626881S

(12) **United States Design Patent**
Meneau

(10) **Patent No.:** **US D626,881 S**

(45) **Date of Patent:** **** Nov. 9, 2010**

(54) **EARRING BACK**

7,617,576 B2 * 11/2009 Tanio 24/705

(76) Inventor: **Jean-Jacques Meneau**, 107 Vista Ct.,
Cross Junction, VA (US) 22625

* cited by examiner

Primary Examiner—Caron Veynar

Assistant Examiner—Melanie Levy

(74) *Attorney, Agent, or Firm*—Andrew C. Aitken

(**) Term: **14 Years**

(21) Appl. No.: **29/349,558**

(57) **CLAIM**

(22) Filed: **Apr. 15, 2010**

The ornamental design for an earring back, as shown and described.

(51) **LOC (9) Cl.** **11-02**

(52) **U.S. Cl.** **D11/88**

(58) **Field of Classification Search** D11/1-2,
D11/40-88, 91, 206, 214, 216, 215; 63/1.1,
63/12, 13, 20, 14.1-14.8; 24/711.1, 705,
24/706.9, 253

See application file for complete search history.

DESCRIPTION

FIG. 1 is a perspective view of my new design for an earring back;

FIG. 2 is a bottom view of the new design;

FIG. 3 is a top view of the new design;

FIG. 4 is a side view of the new design;

FIG. 5 is a side view of the new design from the opposite side from the view depicted in FIG. 4.

FIG. 6 is a side view of the new design oriented 90 degrees from the view depicted in FIG. 5; and,

FIG. 7 is a side view of the new design from the opposite side or 180 degrees from the view depicted in FIG. 6.

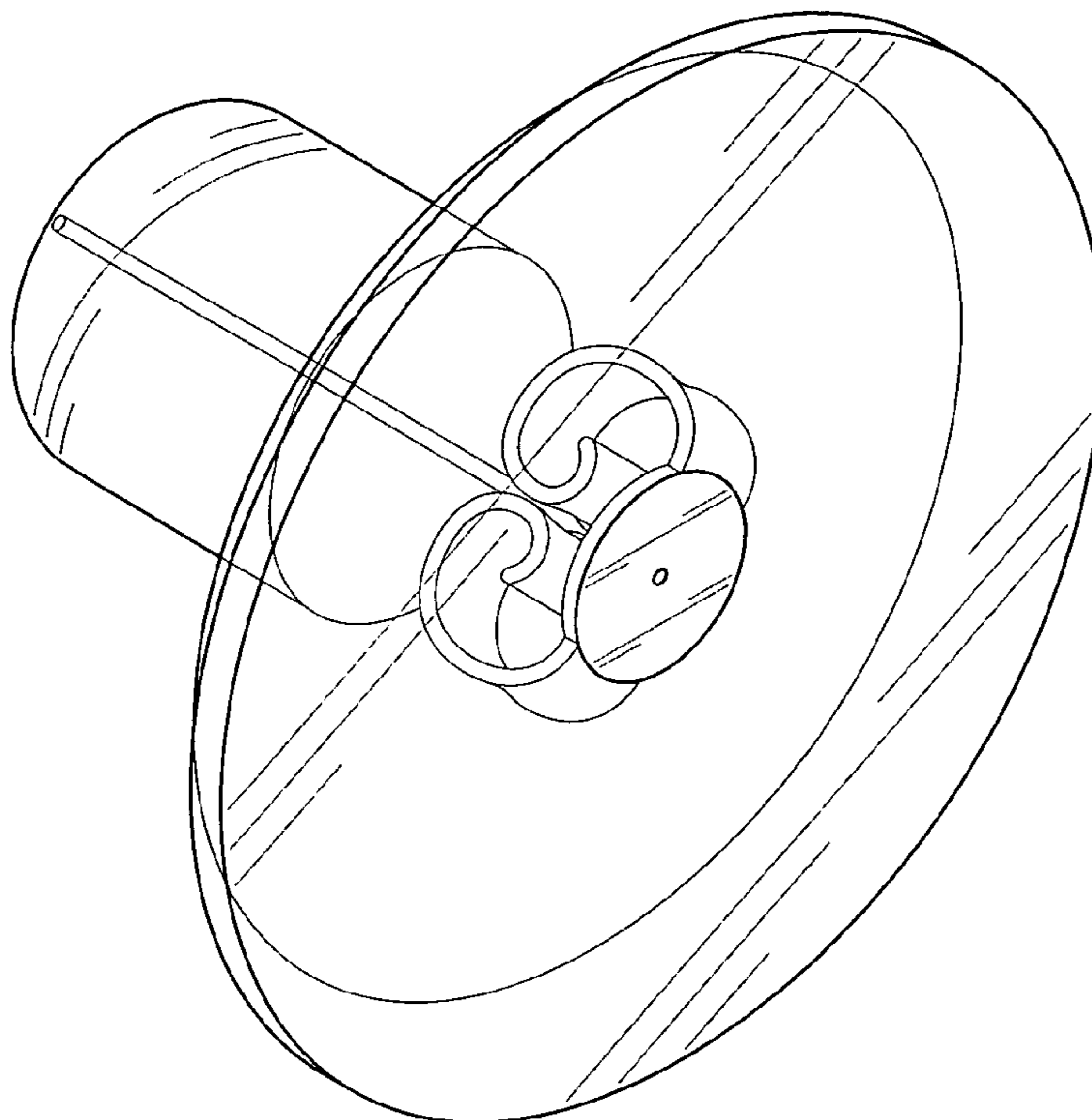
The solid lines shown within the outline of the body of the earring back element in FIGS. 1-7 are features of the design. All surface ornamentation depicted in the figures such as shading and reflections is disclaimed and forms no part of the claimed design.

(56) **References Cited**

U.S. PATENT DOCUMENTS

4,299,101	A *	11/1981	Block	63/12
4,397,067	A *	8/1983	Rapseik	24/108
D302,401	S *	7/1989	Weingast	D11/88
4,907,425	A *	3/1990	Elkin	63/12
D319,201	S *	8/1991	Aoki	D11/220
5,076,072	A *	12/1991	Payne	63/12
5,154,068	A *	10/1992	DiDomenico	63/12
5,165,258	A *	11/1992	Kogen	63/12
5,361,606	A *	11/1994	Nhaissi et al.	63/26
D363,683	S *	10/1995	Spurgeon et al.	D11/88
6,317,941	B1 *	11/2001	Hamm, Jr.	24/656
6,557,220	B1 *	5/2003	Hamm, Jr.	24/705

1 Claim, 7 Drawing Sheets



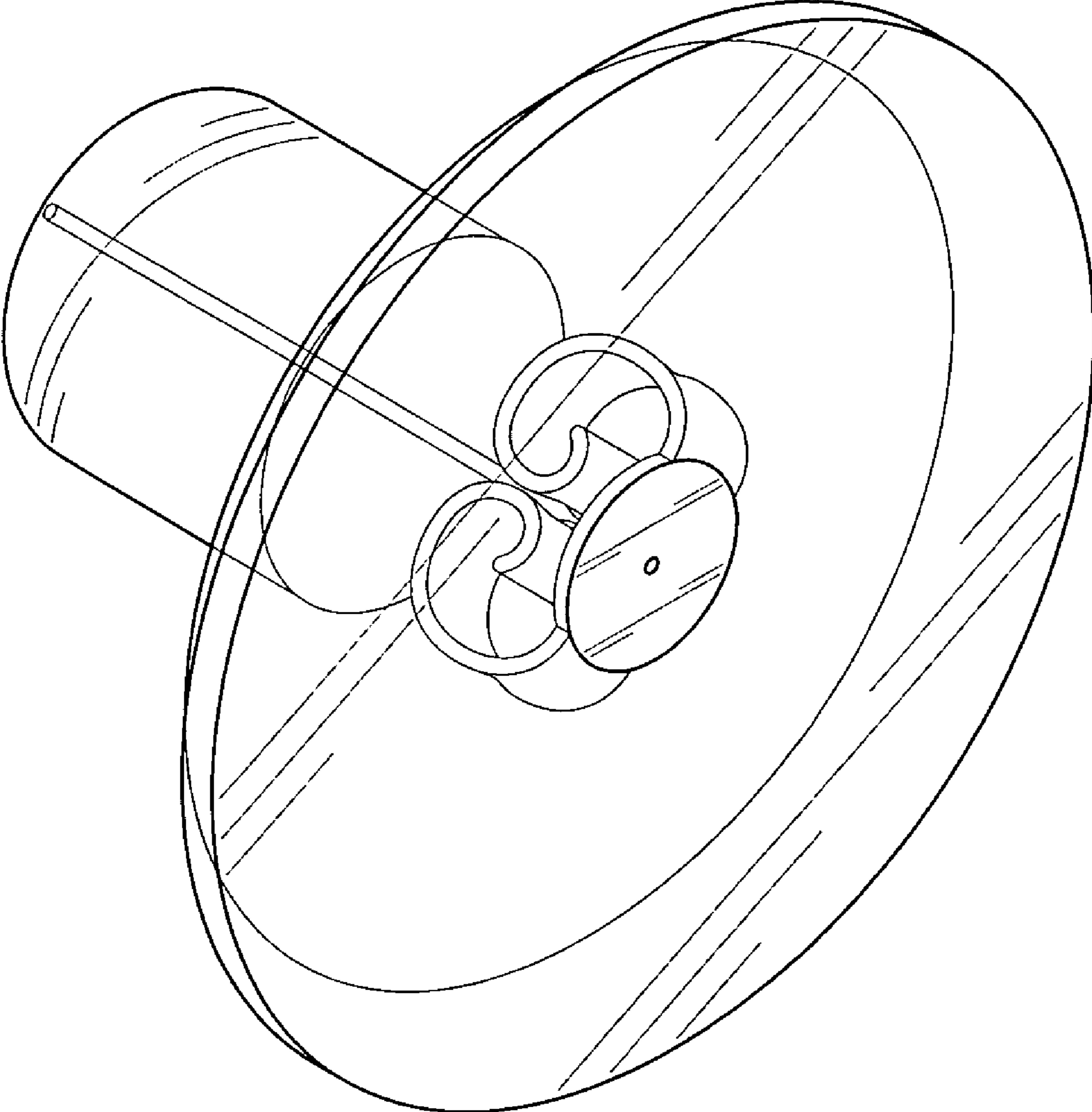


FIG. 1

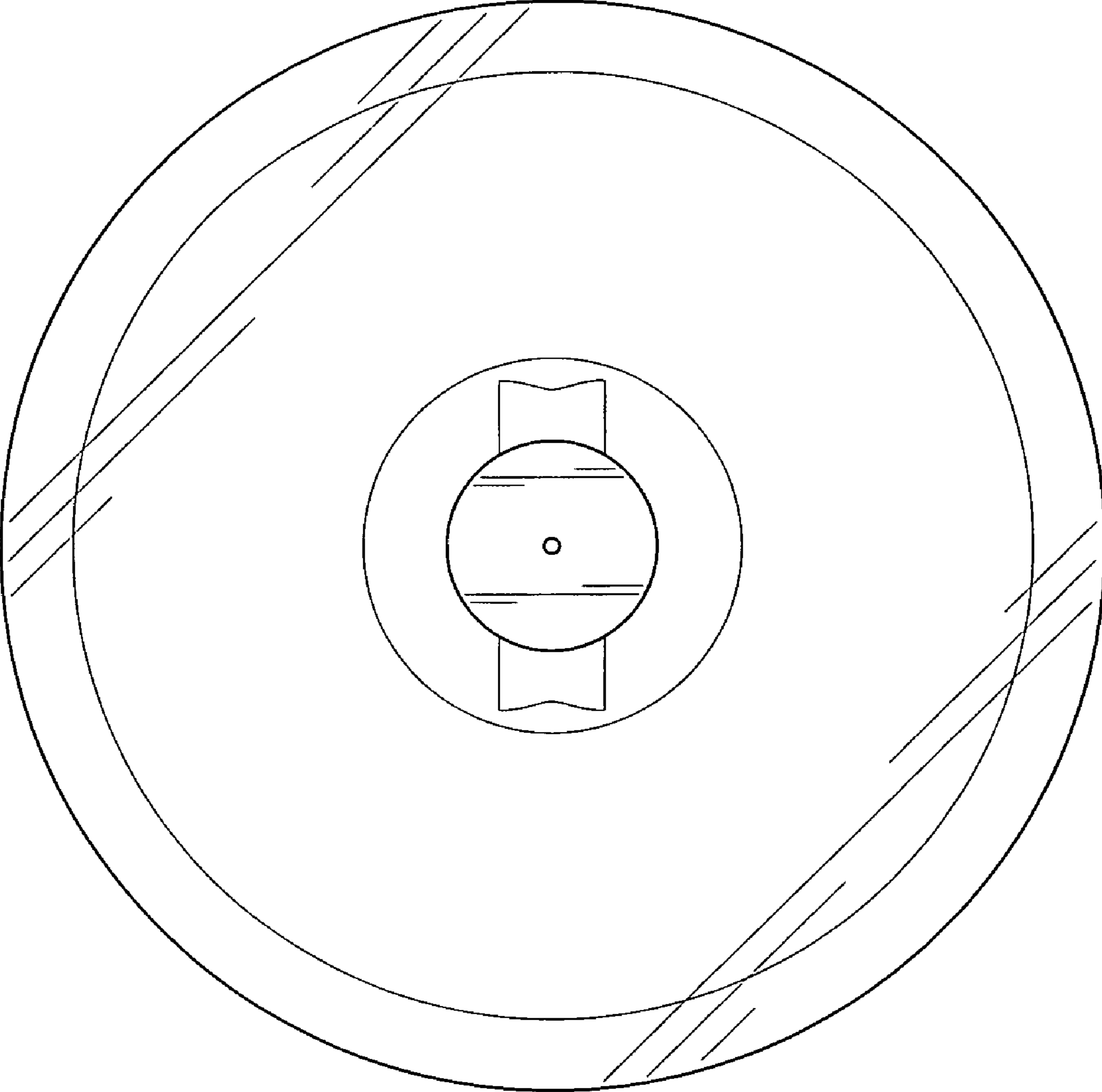


FIG. 2

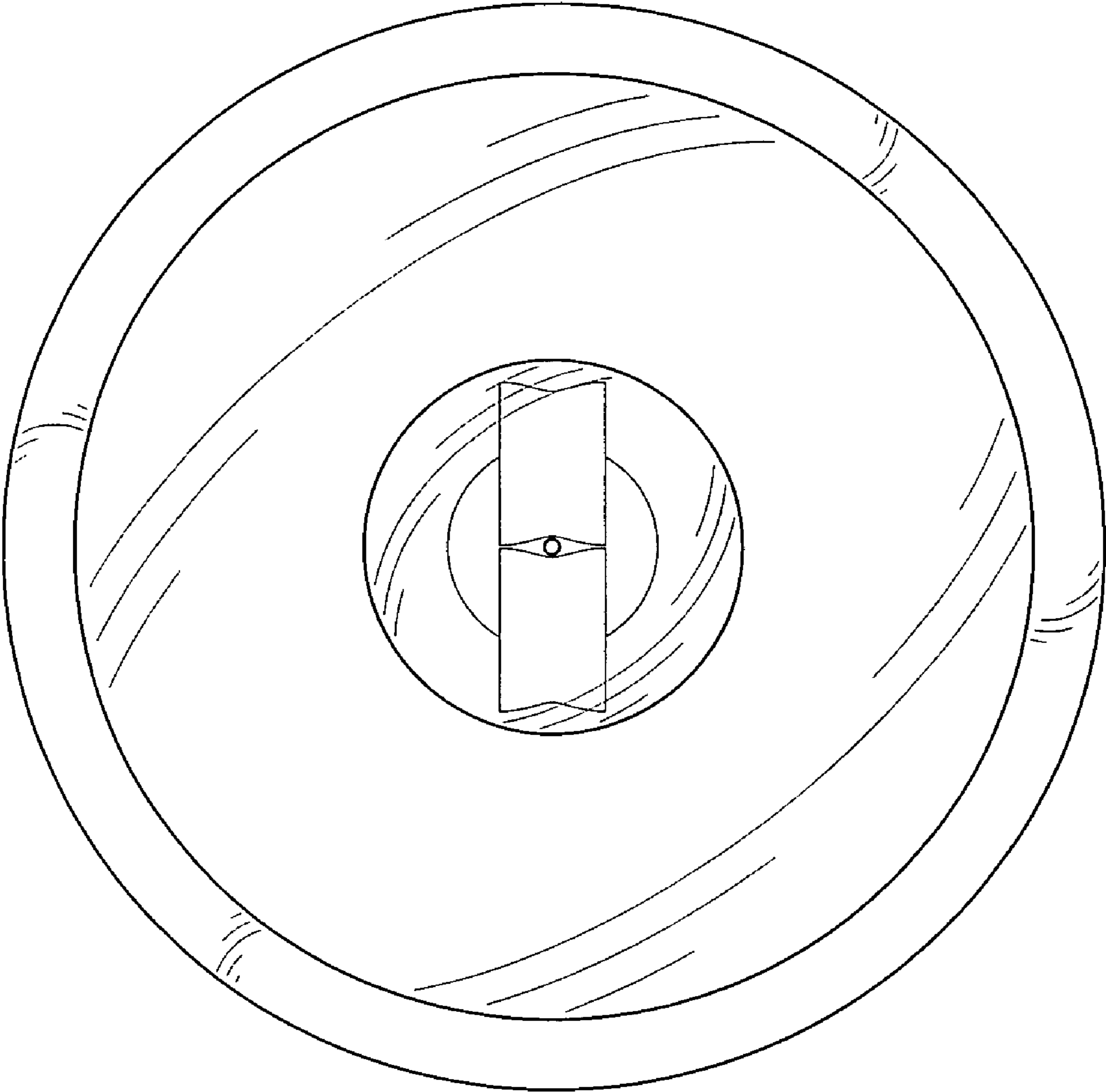


FIG. 3

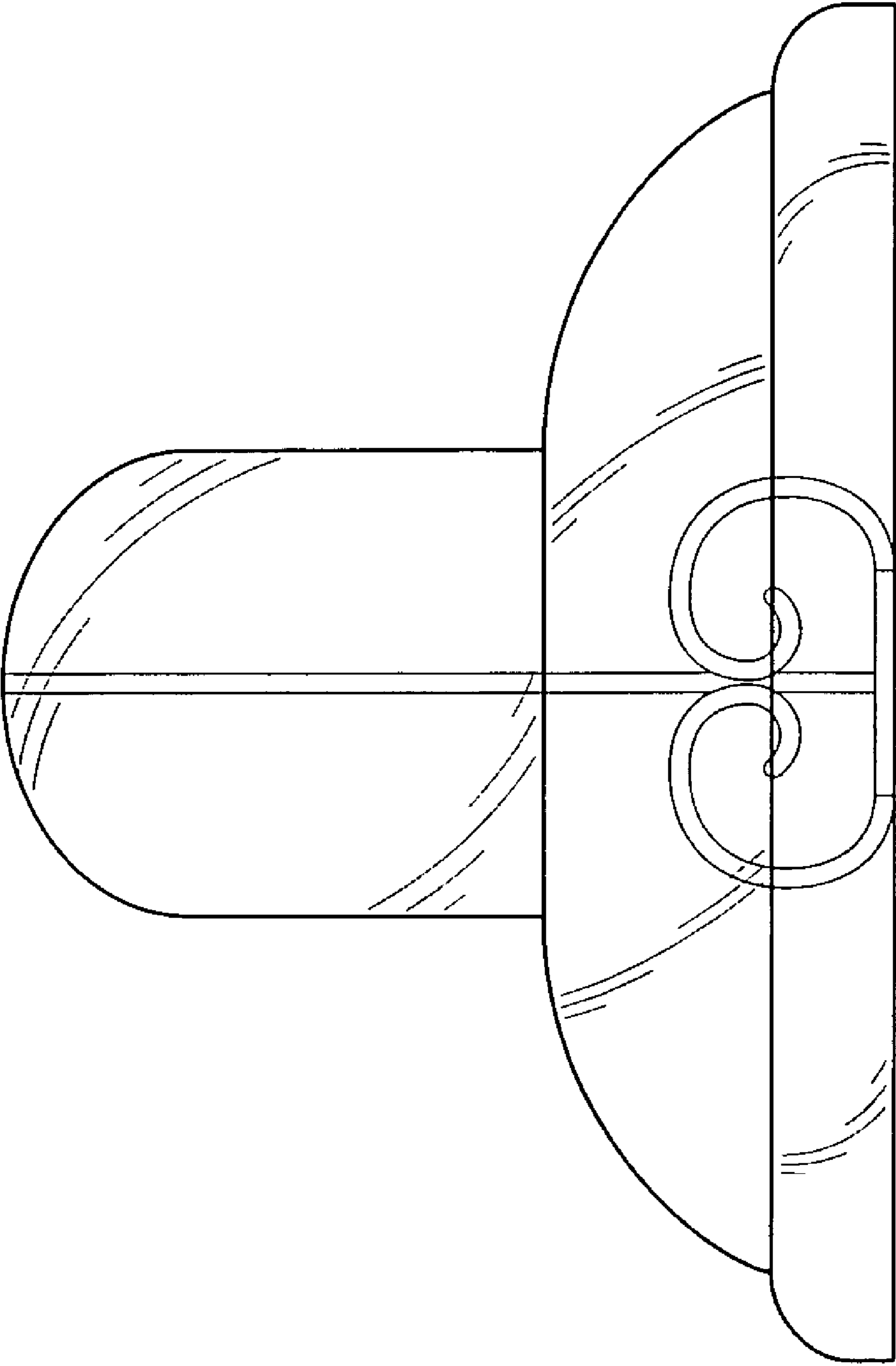


FIG. 4

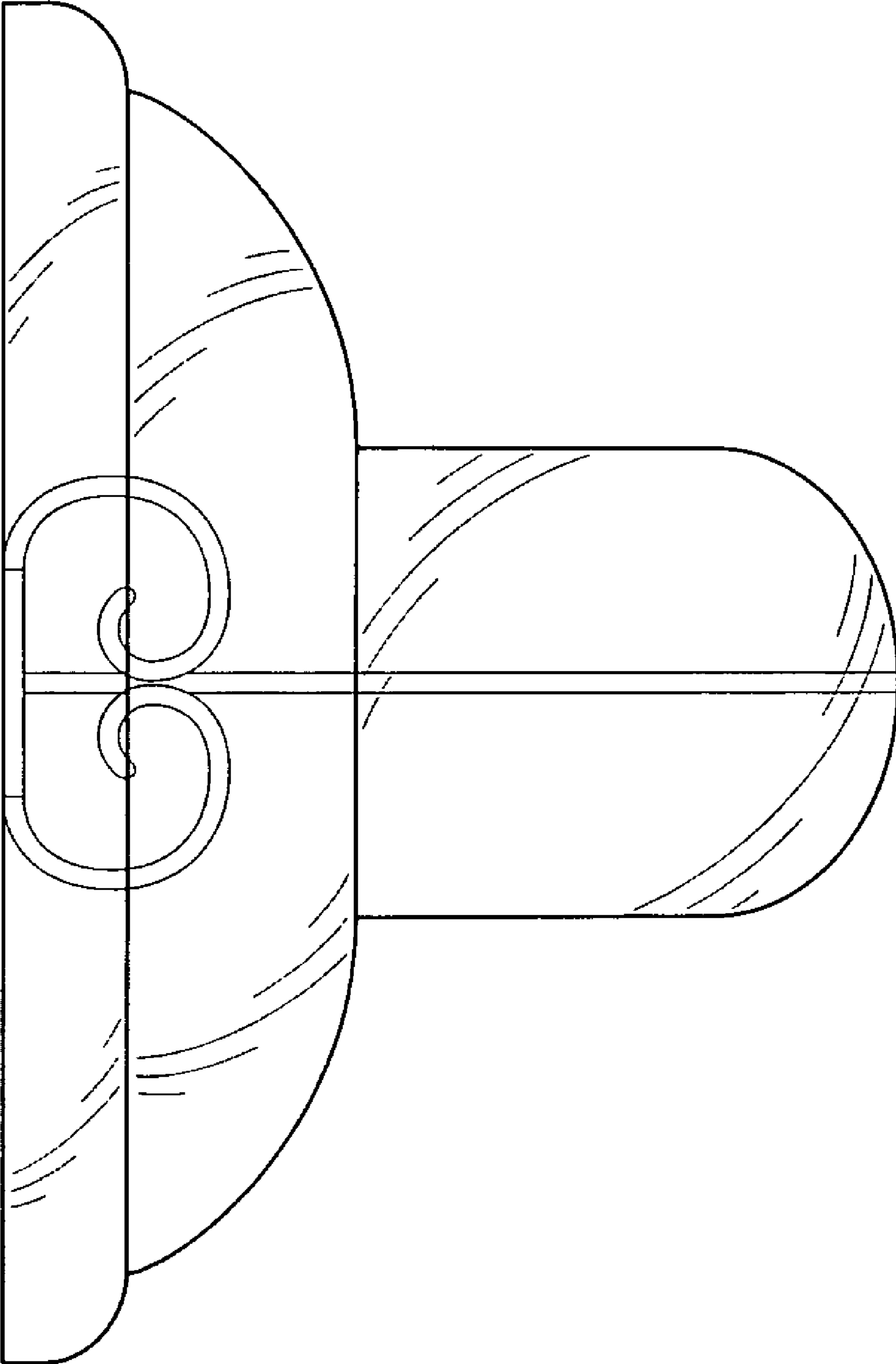


FIG. 5

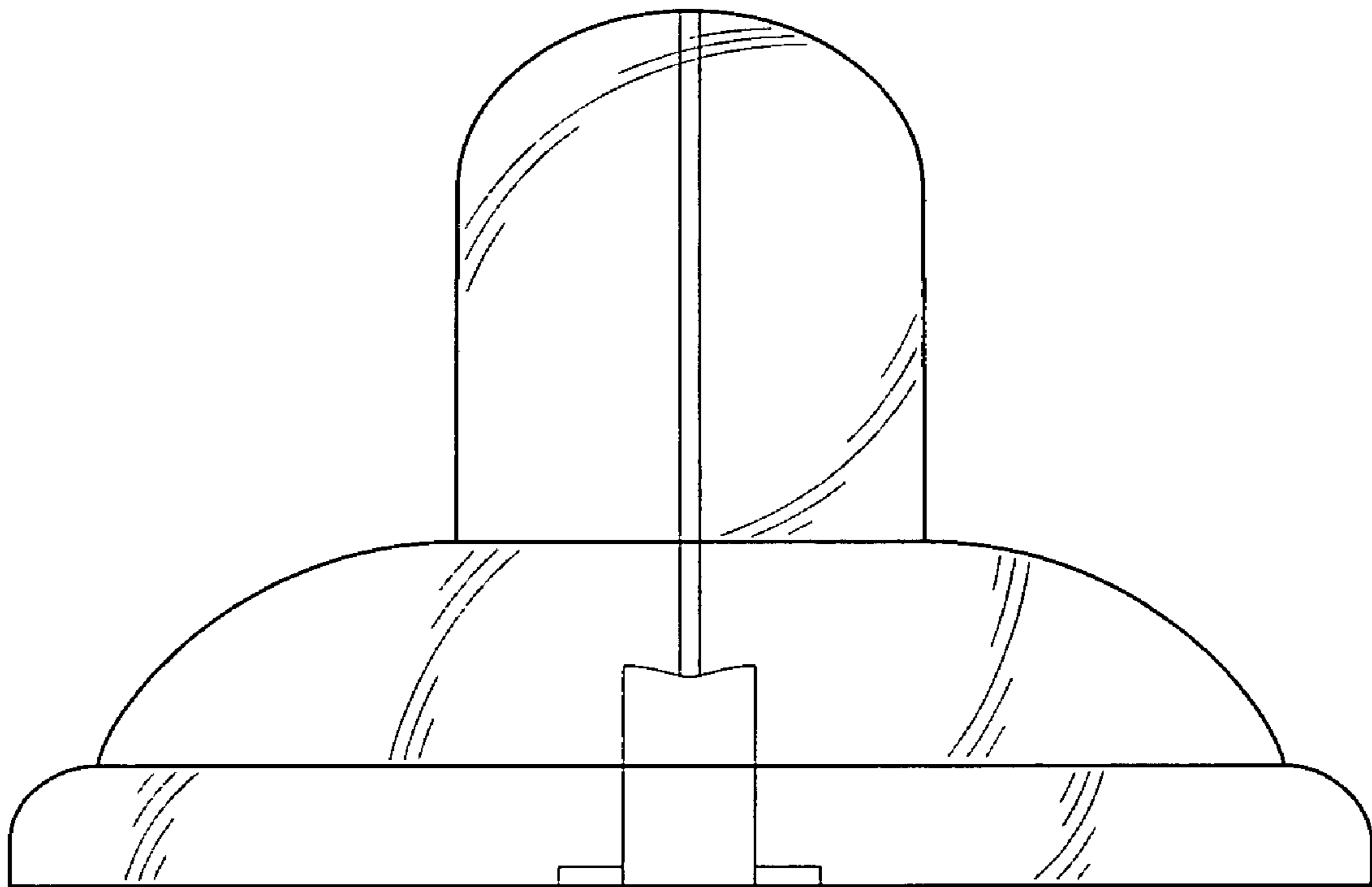


FIG. 6

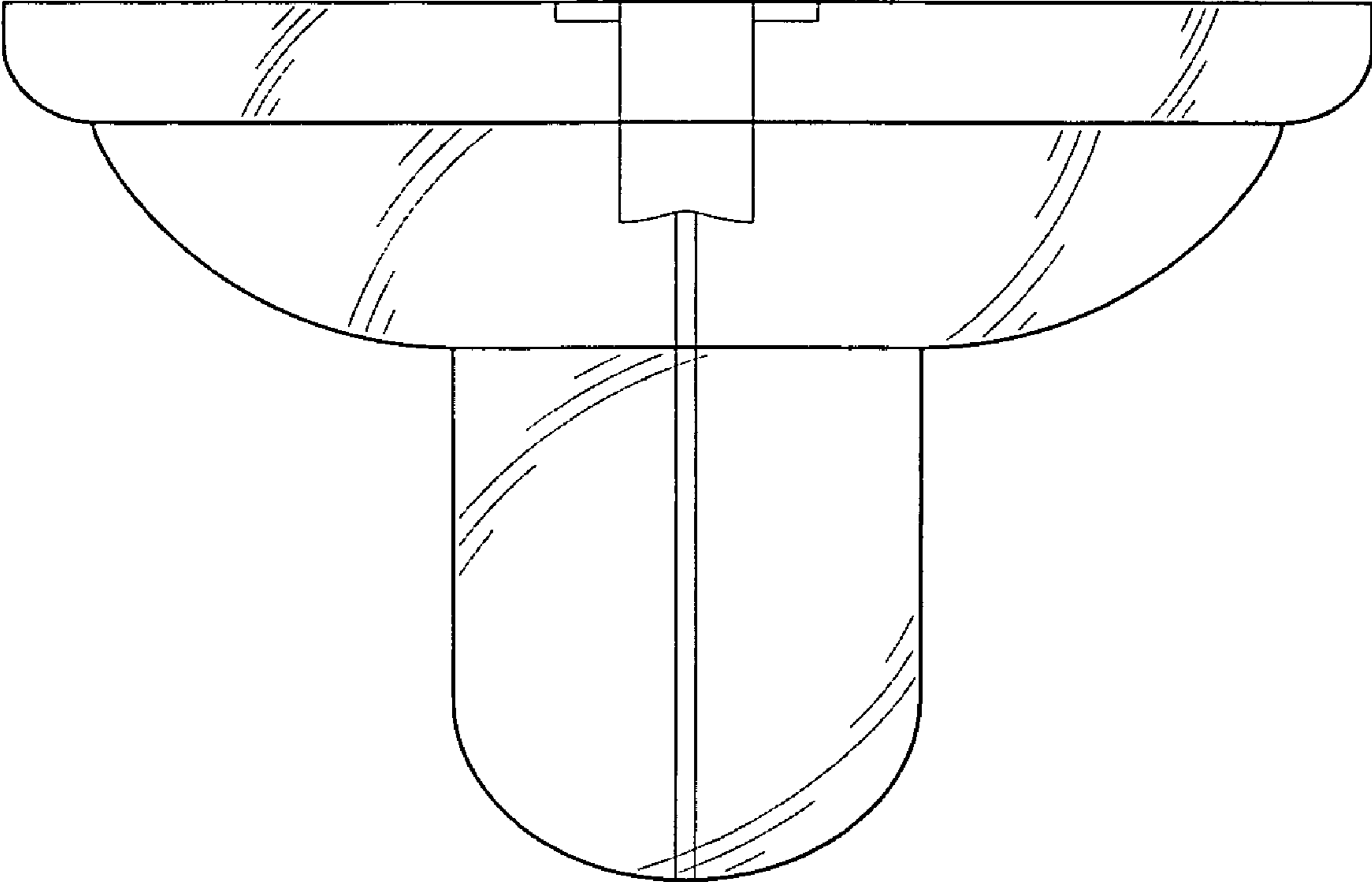


FIG. 7