



US00D626872S

(12) **United States Design Patent**
Spargo

(10) **Patent No.:** **US D626,872 S**
(45) **Date of Patent:** **** Nov. 9, 2010**

(54) **ENGINE AIR INTAKE TESTING DEVICE**

7,647,823 B2 * 1/2010 Tuski 73/114.37

(75) Inventor: **Rodney Graeme Spargo**, Maddingley (AU)

* cited by examiner

Primary Examiner—Antoine D Davis

(73) Assignee: **Uptime Truck & Trailer Services Pty Ltd.**, Victoria (AU)

(74) *Attorney, Agent, or Firm*—Martin Fleit; Paul D. Bianco; Fleit Gibbons Gutman Bongini & Bianco PL

(**) Term: **14 Years**

(57) **CLAIM**

(21) Appl. No.: **29/346,340**

The ornamental design for an engine air intake testing device, as shown and described.

(22) Filed: **Oct. 30, 2009**

DESCRIPTION

(51) **LOC (9) Cl.** **10-04**

FIG. 1 is a front perspective view from above of the engine air intake testing device according to the present invention;

(52) **U.S. Cl.** **D10/96; D10/102**

FIG. 2 is a rear perspective view from above;

(58) **Field of Classification Search** D10/96, D10/102; 73/114.31–114.37, 114.77, 431; 116/DIG. 25; 340/438, 439

FIG. 3 is a front view;

See application file for complete search history.

FIG. 4 is a rear view;

FIG. 5 is a view from a first side;

(56) **References Cited**

FIG. 6 is a view from a second side;

U.S. PATENT DOCUMENTS

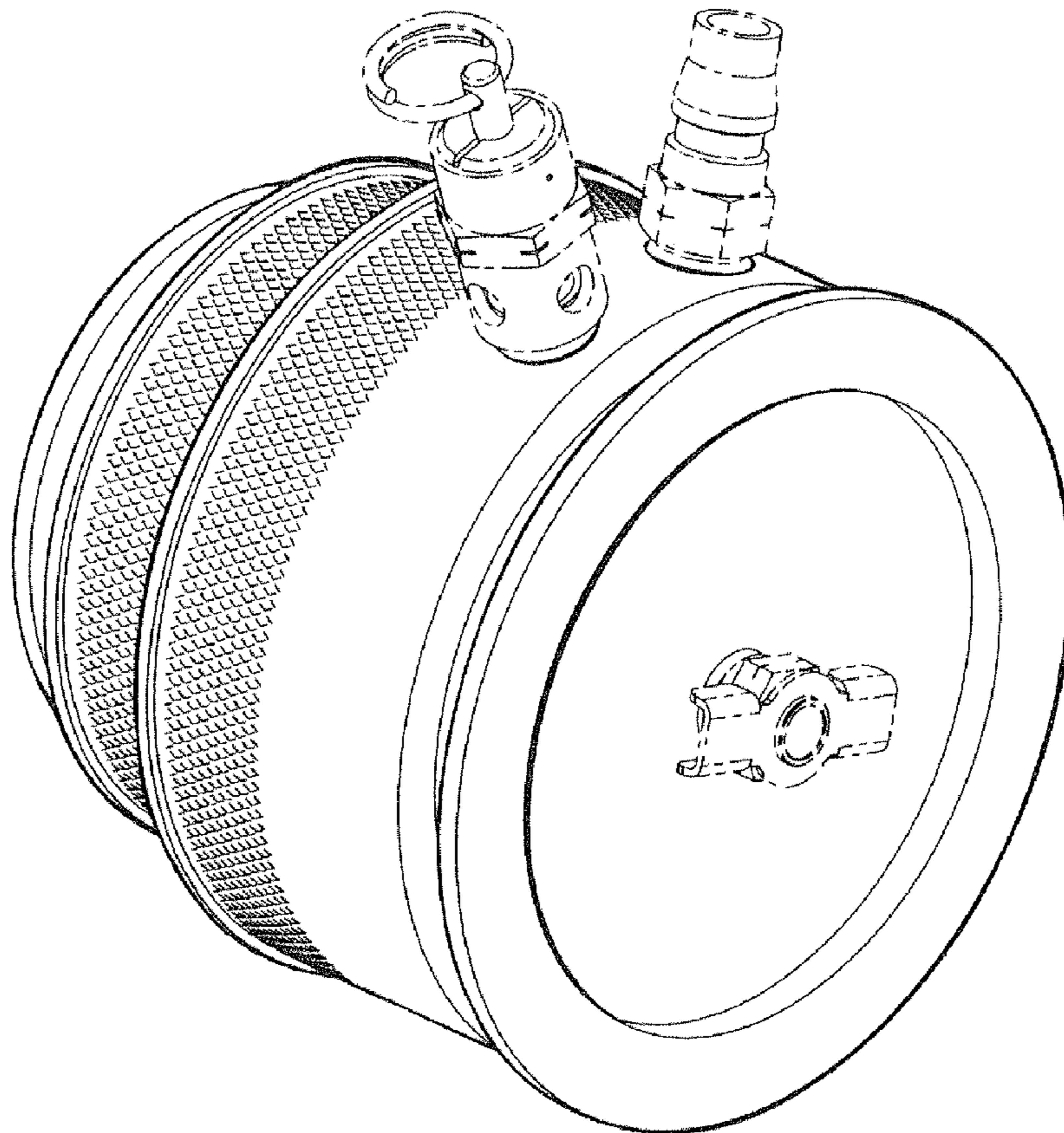
FIG. 7 is a plan view; and,

- D156,571 S * 12/1949 Snow D10/102
- D224,806 S * 9/1972 Zuck D10/85
- 4,773,270 A * 9/1988 Ogasawara et al. 73/732
- D439,534 S * 3/2001 Scarrott et al. D10/96
- D506,832 S * 6/2005 Neel et al. D24/224
- D507,657 S * 7/2005 Neel et al. D24/224
- 7,225,793 B2 * 6/2007 Schwulst et al. 123/406.47

FIG. 8 is an underneath view.

The features shown in broken line, including, but not limited to, the taps and valves, are for illustrative purposes only and form no part of the claimed design.

1 Claim, 4 Drawing Sheets



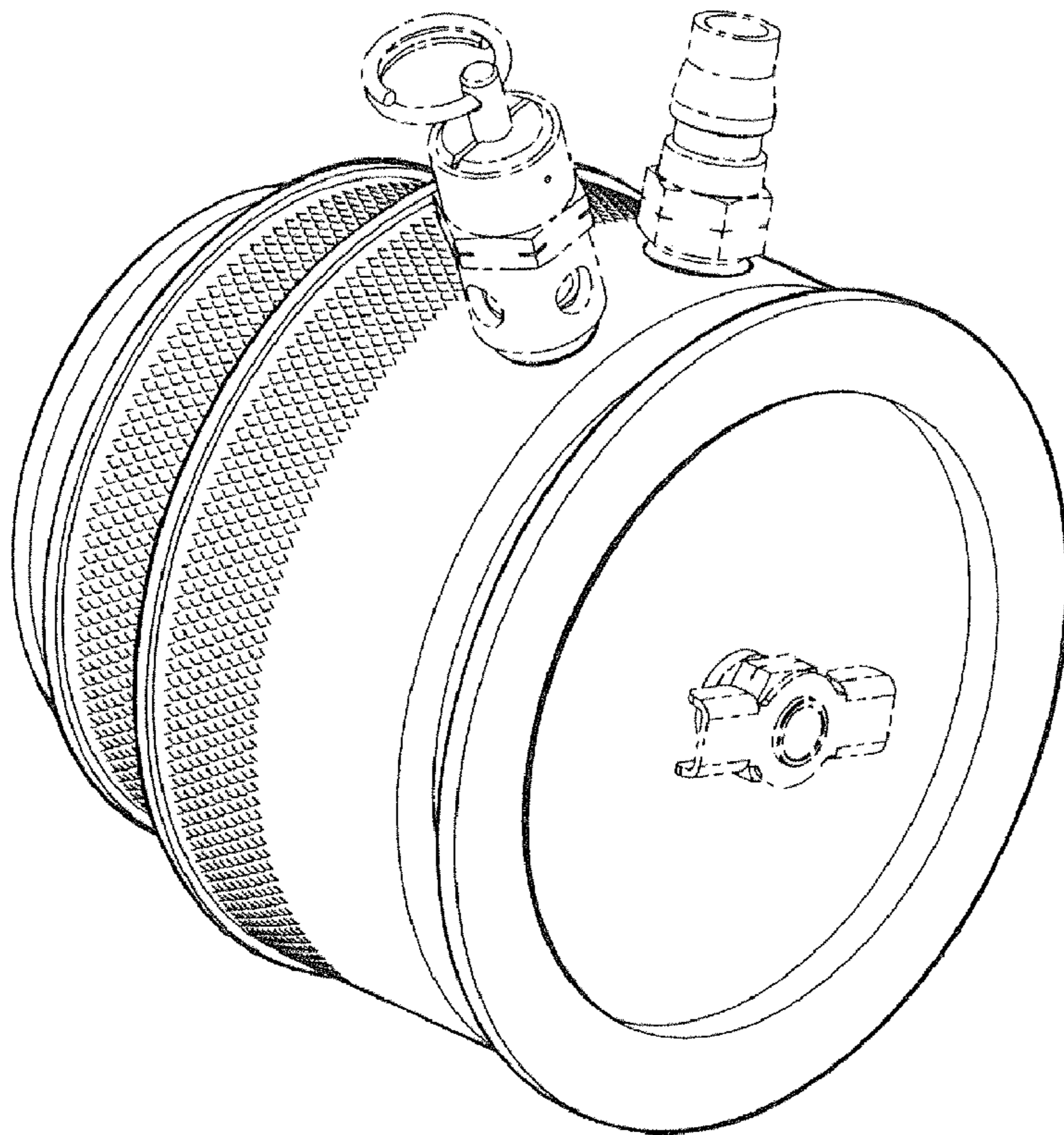


FIG. 1

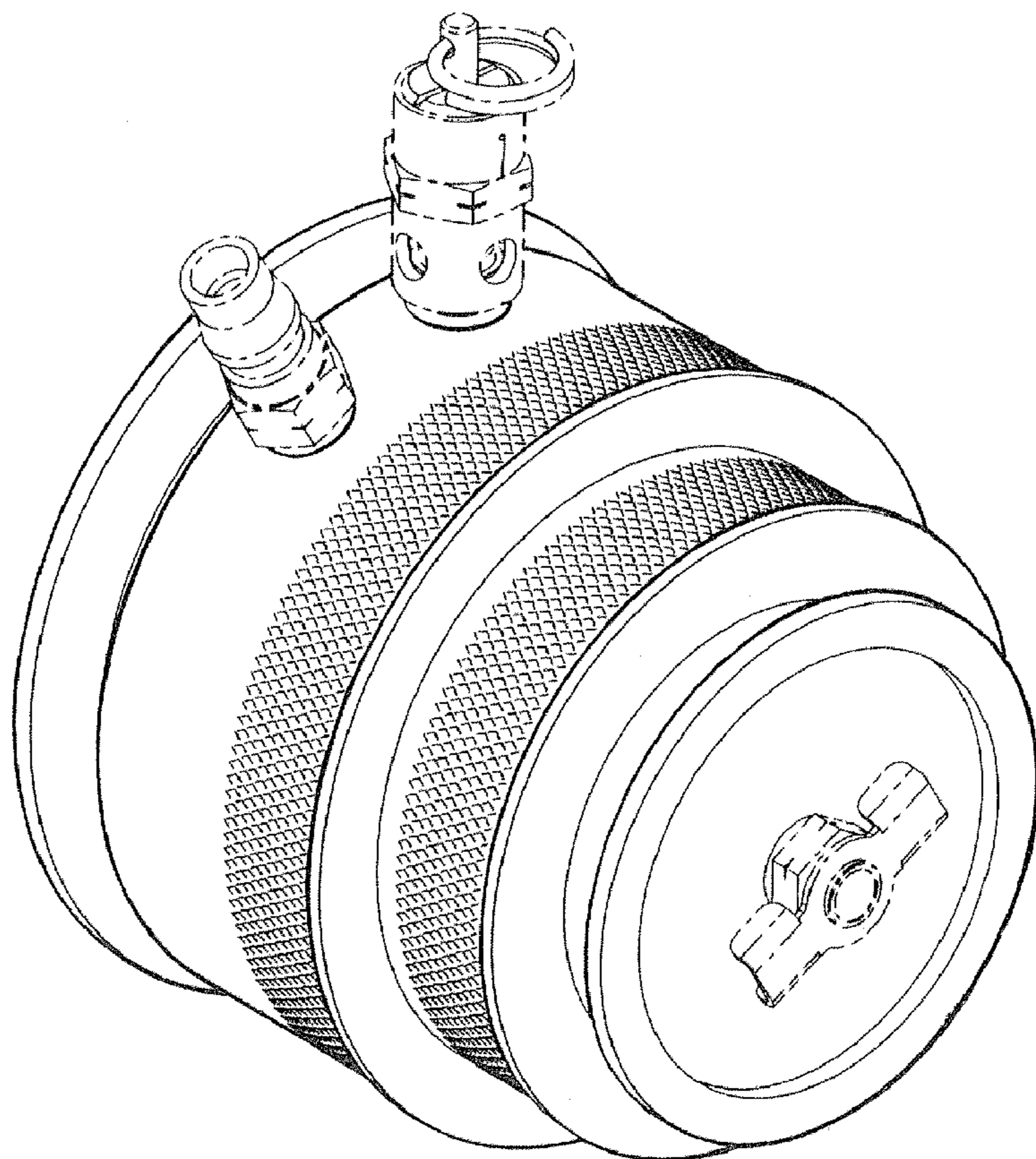


FIG. 2

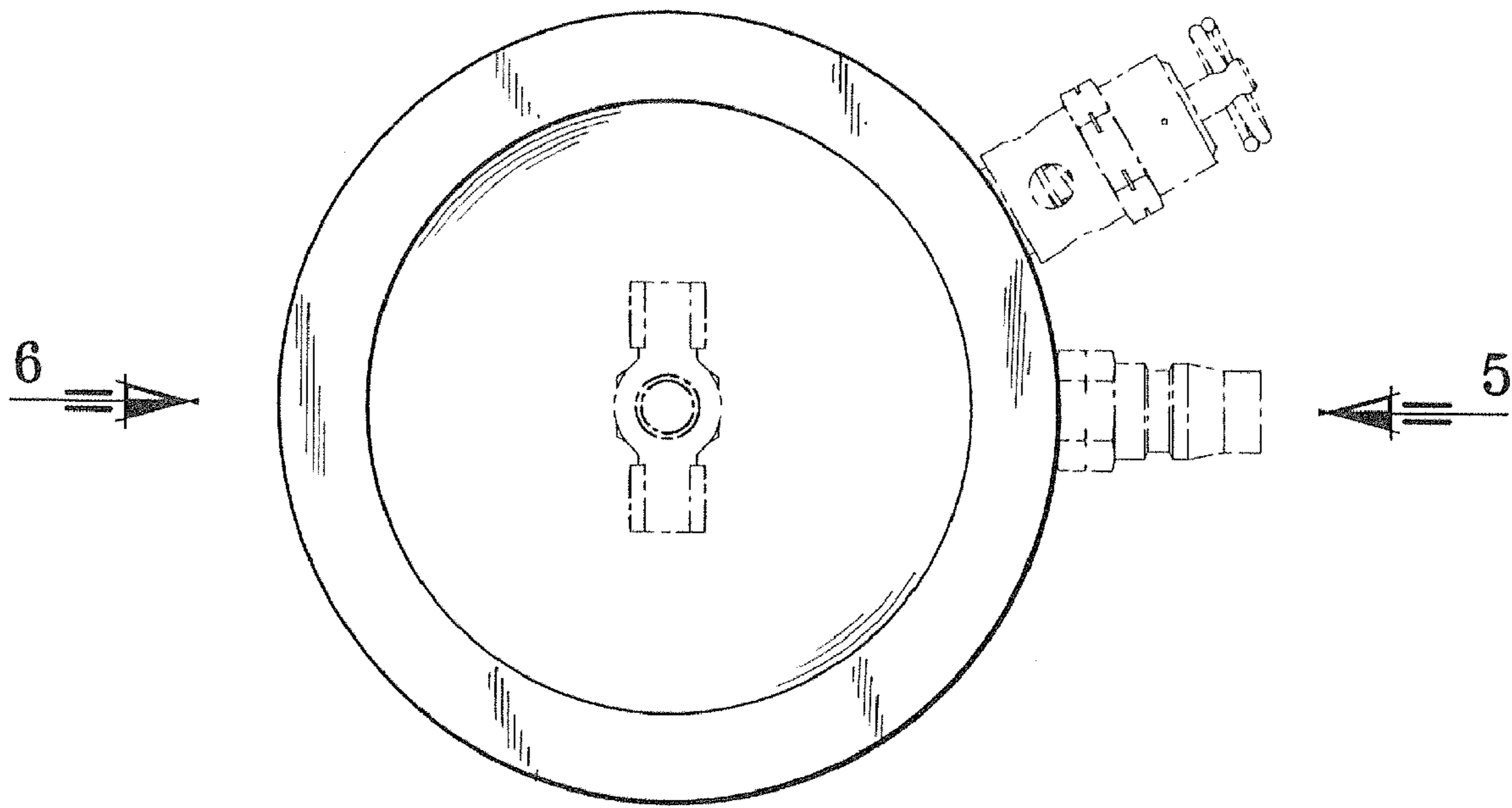


FIG. 3

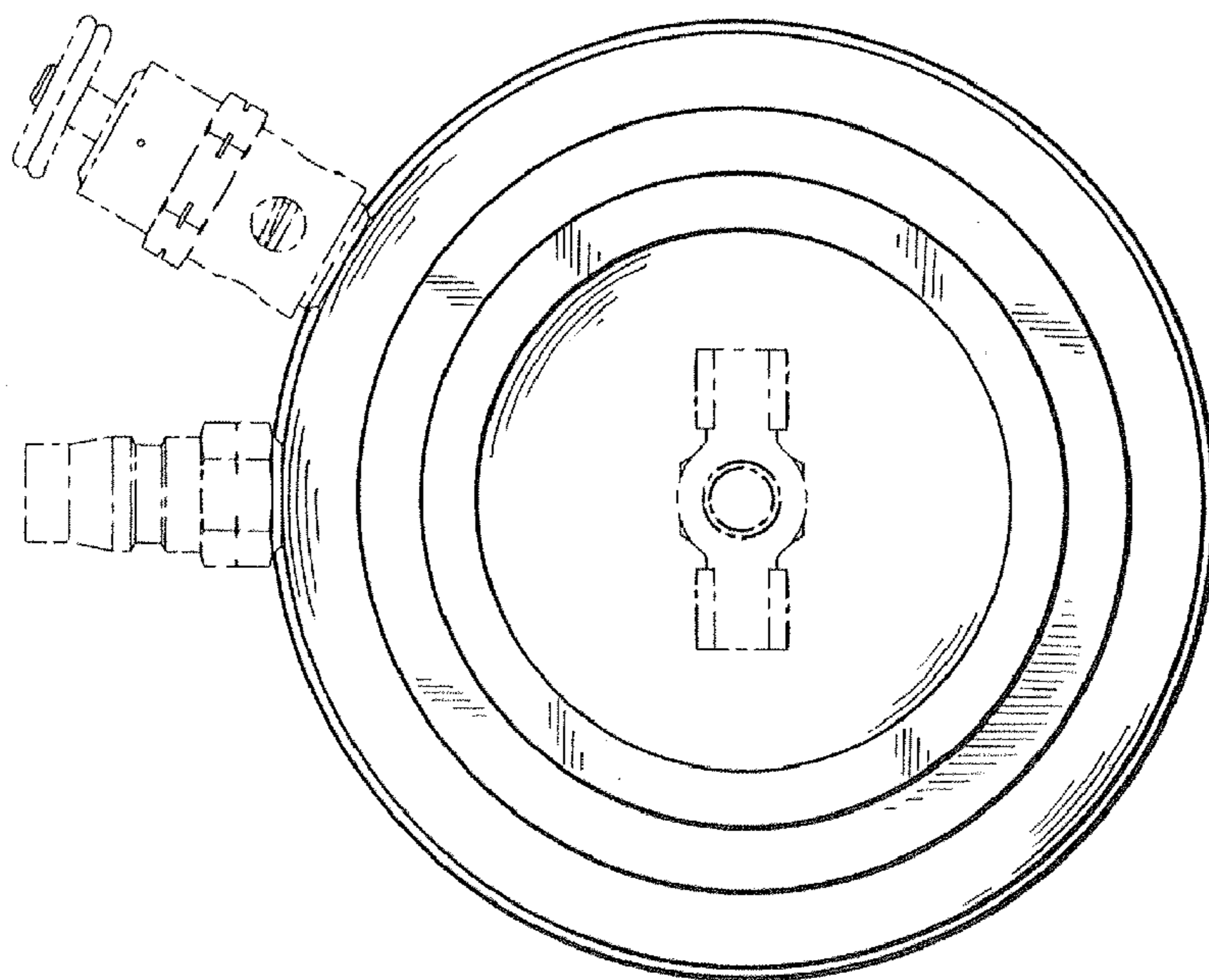


FIG. 4

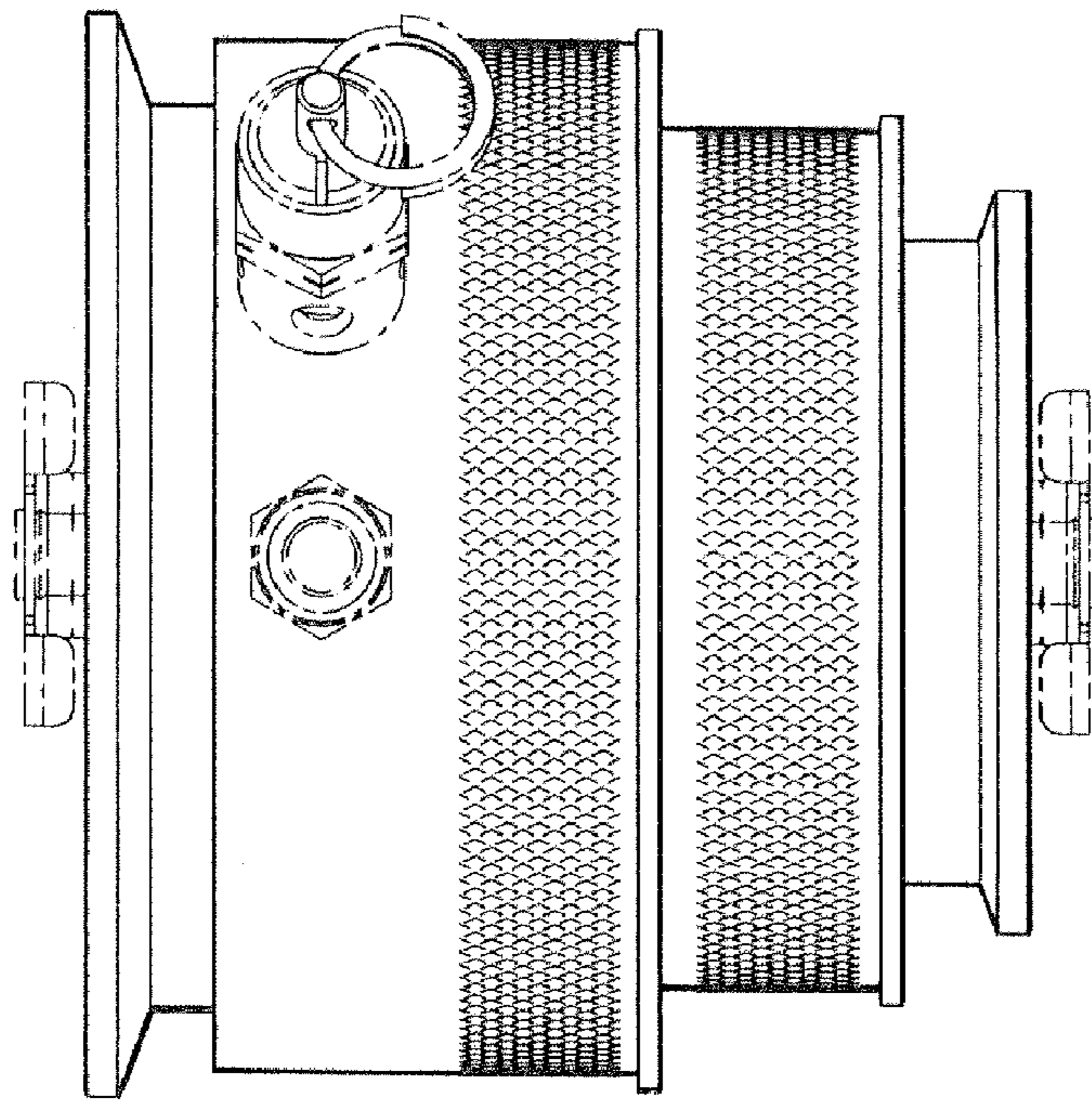


FIG. 5

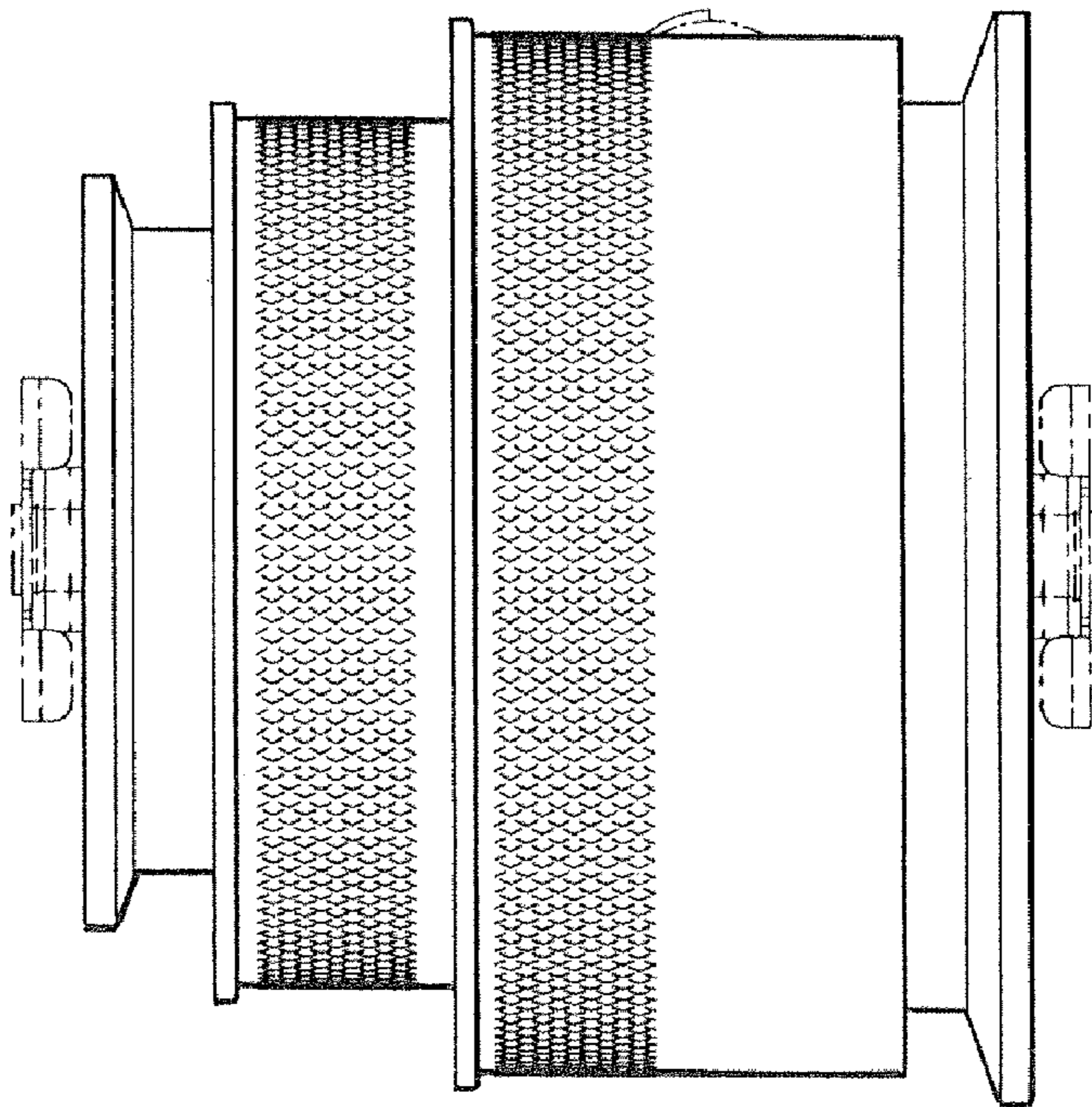


FIG. 6

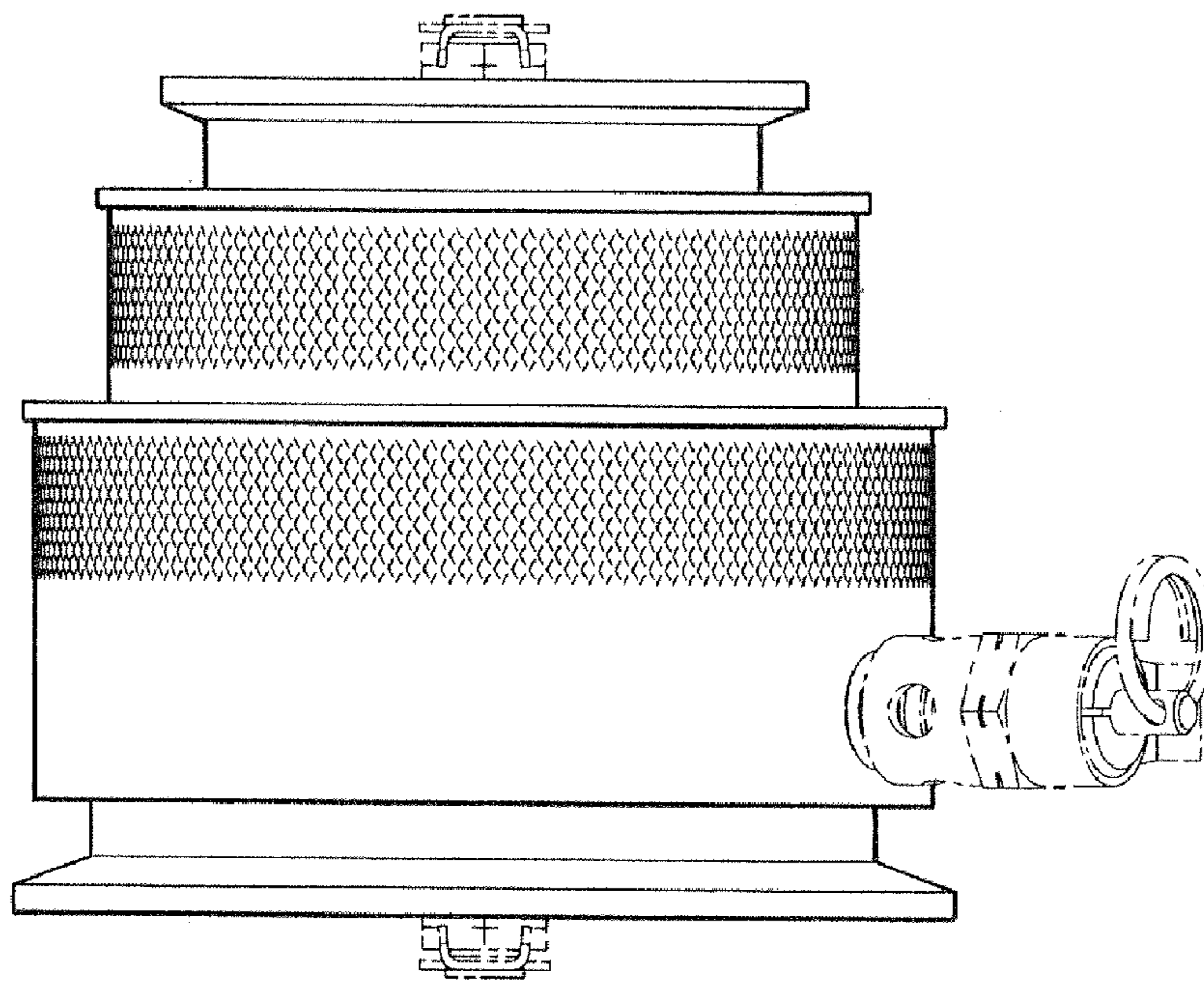


FIG. 7

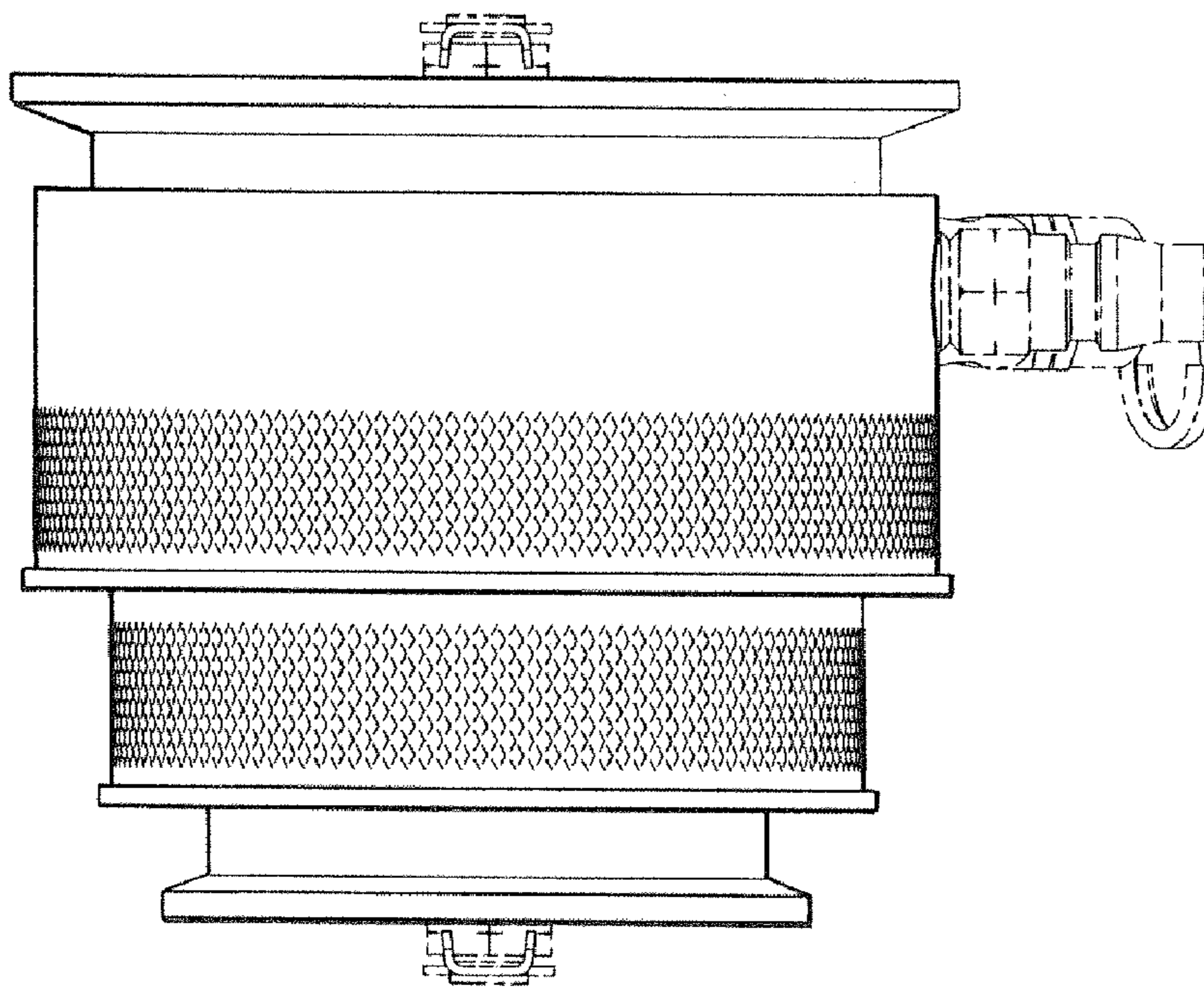


FIG. 8