



US00D626869S

(12) **United States Design Patent**
Spargo

(10) **Patent No.:** **US D626,869 S**

(45) **Date of Patent:** **** Nov. 9, 2010**

(54) **ENGINE AIR INTAKE TESTING DEVICE**

7,647,823 B2 * 1/2010 Tuski 73/114.37

* cited by examiner

(75) Inventor: **Rodney Graeme Spargo**, Victoria (AU)

Primary Examiner—Antoine D Davis

(73) Assignee: **Uptime Truck & Trailer Services Pty Ltd.**, Victoria (AU)

(74) *Attorney, Agent, or Firm*—Martin Fleit; Paul D. Bianco; Fleit Gibbons Gutman Bongini & Bianco PL

(**) Term: **14 Years**

(57) **CLAIM**

(21) Appl. No.: **29/346,326**

The ornamental design for an engine air intake testing device, as shown and described.

(22) Filed: **Oct. 30, 2009**

(51) **LOC (9) Cl.** **10-04**

(52) **U.S. Cl.** **D10/96; D10/102**

(58) **Field of Classification Search** D10/96,
D10/102; 73/114.31–114.37, 114.77, 431;
116/DIG. 25; 340/438, 439

See application file for complete search history.

DESCRIPTION

FIG. 1 is a front perspective view from above of the engine air intake testing device according to the present invention;

FIG. 2 is a rear perspective view from above;

FIG. 3 is a front view;

FIG. 4 is a rear view;

FIG. 5 is a view from a first side;

FIG. 6 is a view from a second side;

FIG. 7 is a plan view; and,

FIG. 8 is an underneath view.

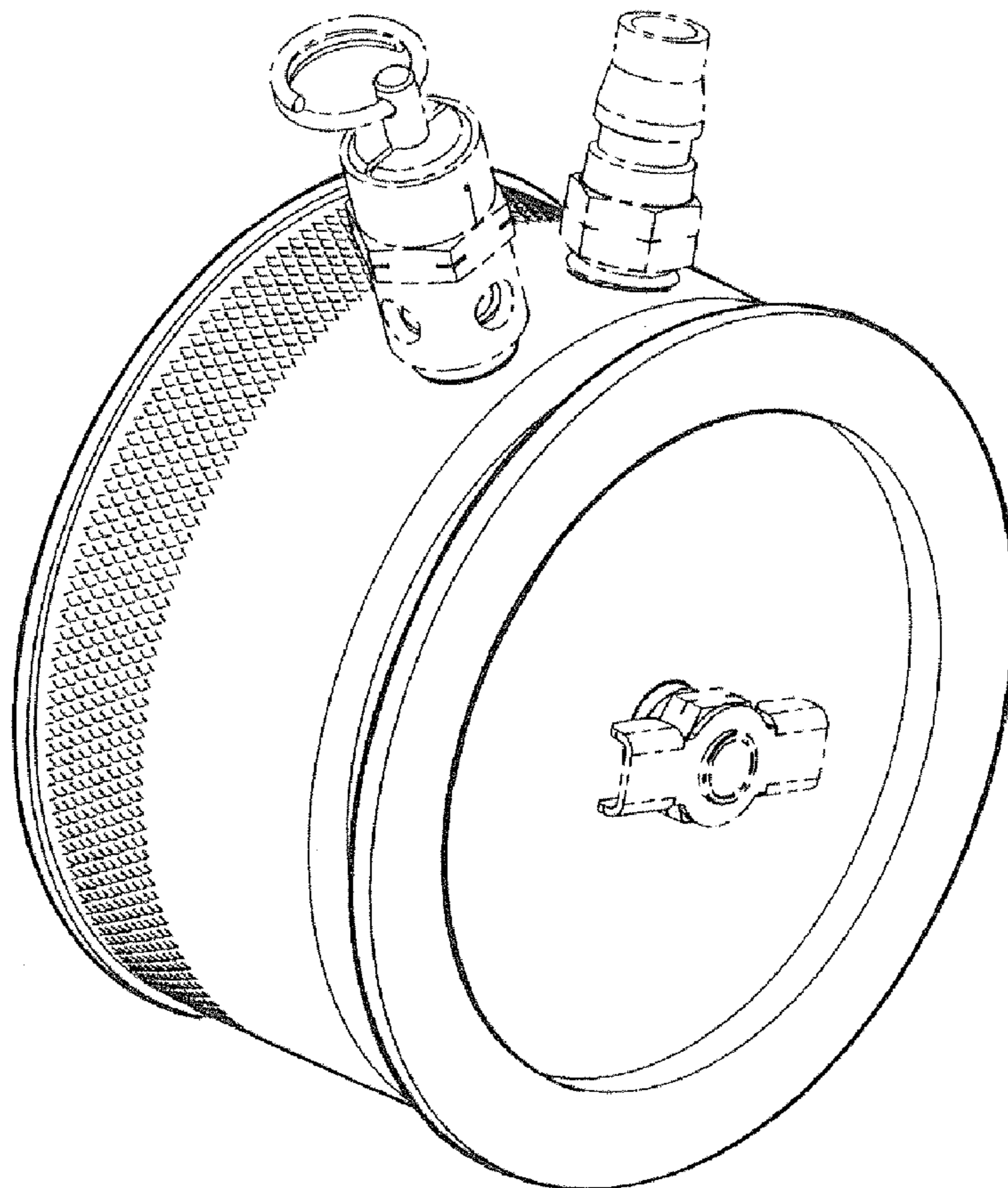
The features shown in broken line, including, but not limited to, the taps and valves, are for illustrative purposes only and form no part of the claimed design.

(56) **References Cited**

U.S. PATENT DOCUMENTS

D156,571 S *	12/1949	Snow	D10/102
D224,806 S *	9/1972	Zuck	D10/85
4,773,270 A *	9/1988	Ogasawara et al.	73/732
D439,534 S *	3/2001	Scarrott et al.	D10/96
D506,832 S *	6/2005	Neel et al.	D24/224
D507,657 S *	7/2005	Neel et al.	D24/224
7,225,793 B2 *	6/2007	Schwulst et al.	123/406.47

1 Claim, 3 Drawing Sheets



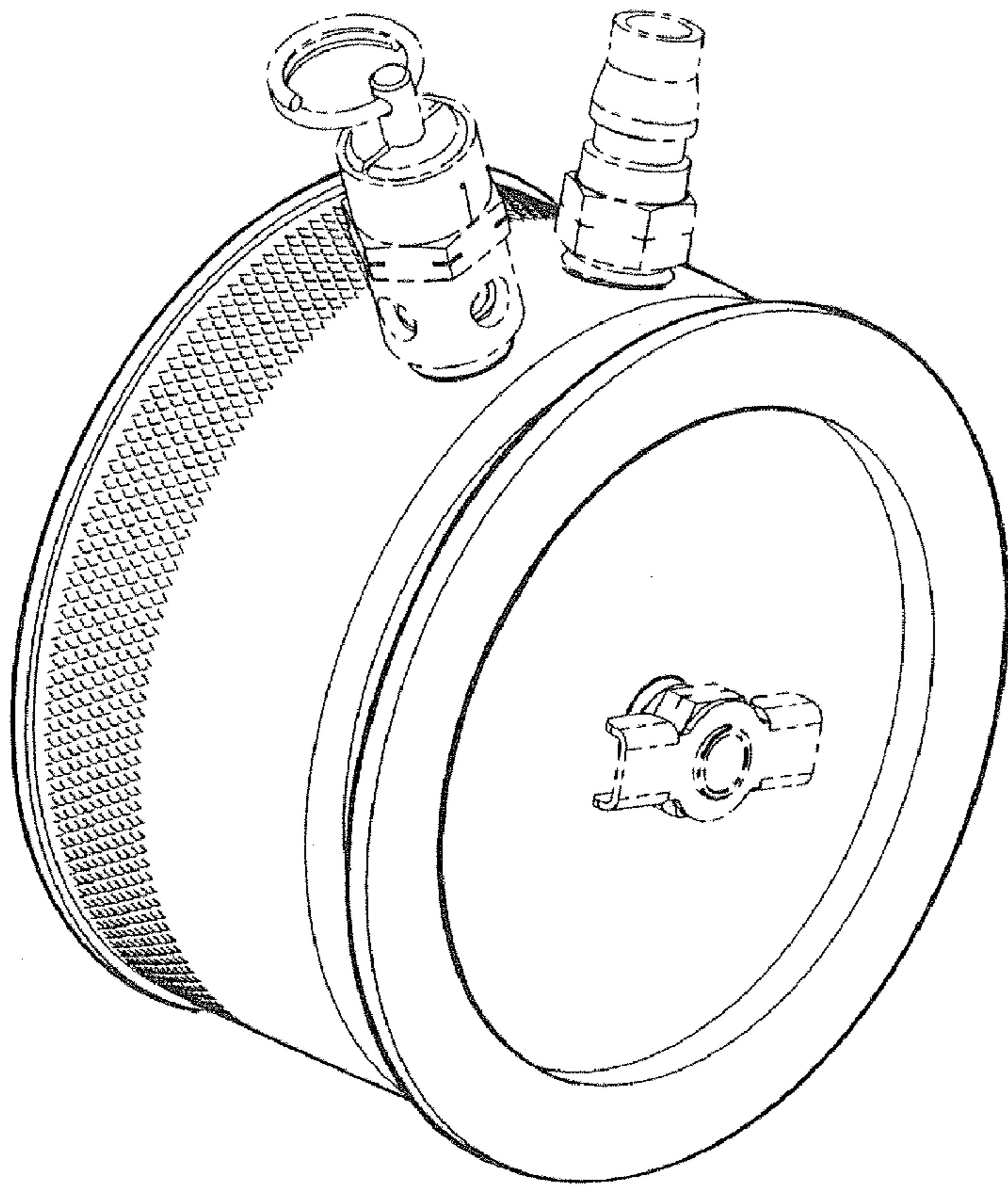
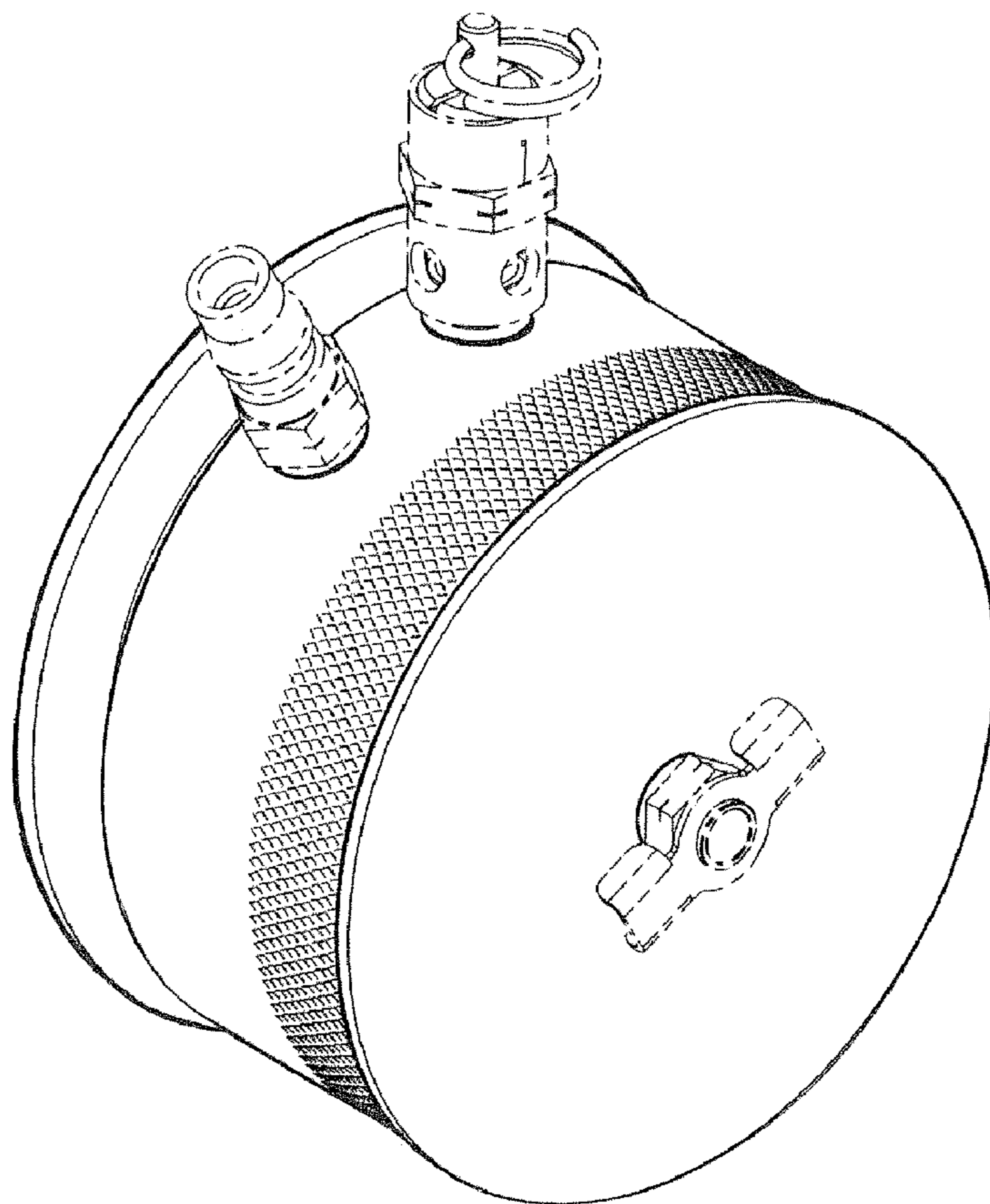


FIG. 1

FIG. 2



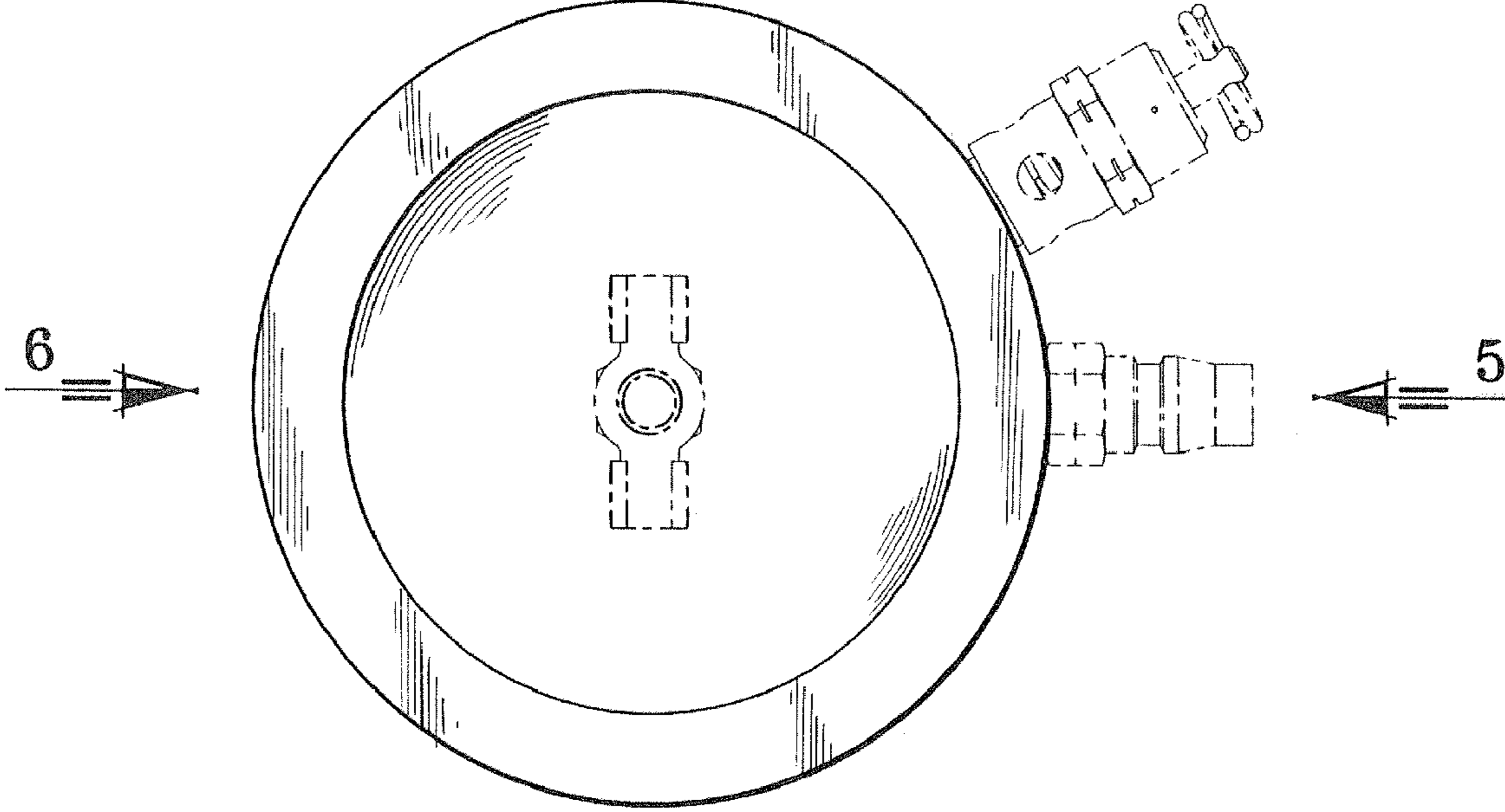


FIG. 3

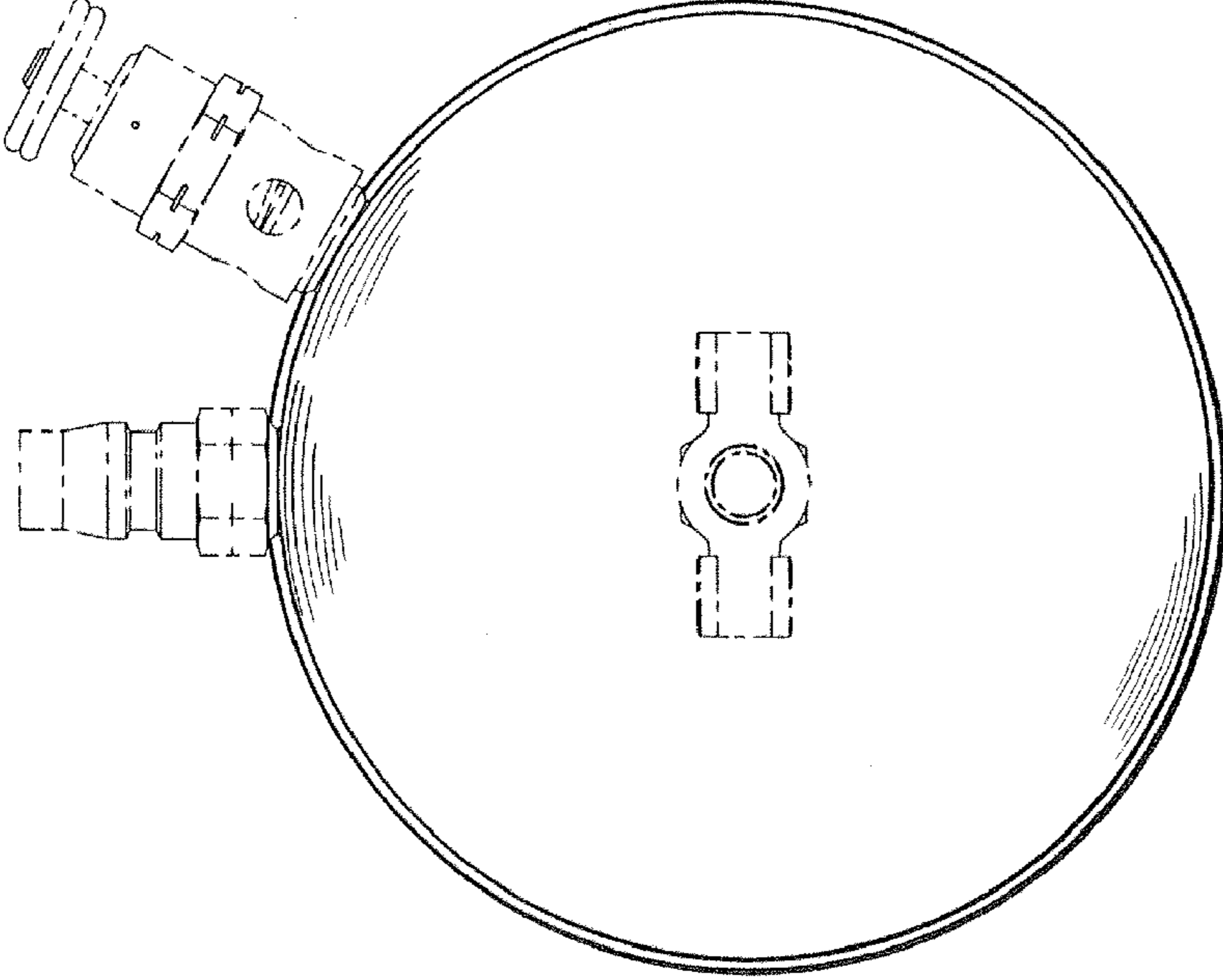


FIG. 4

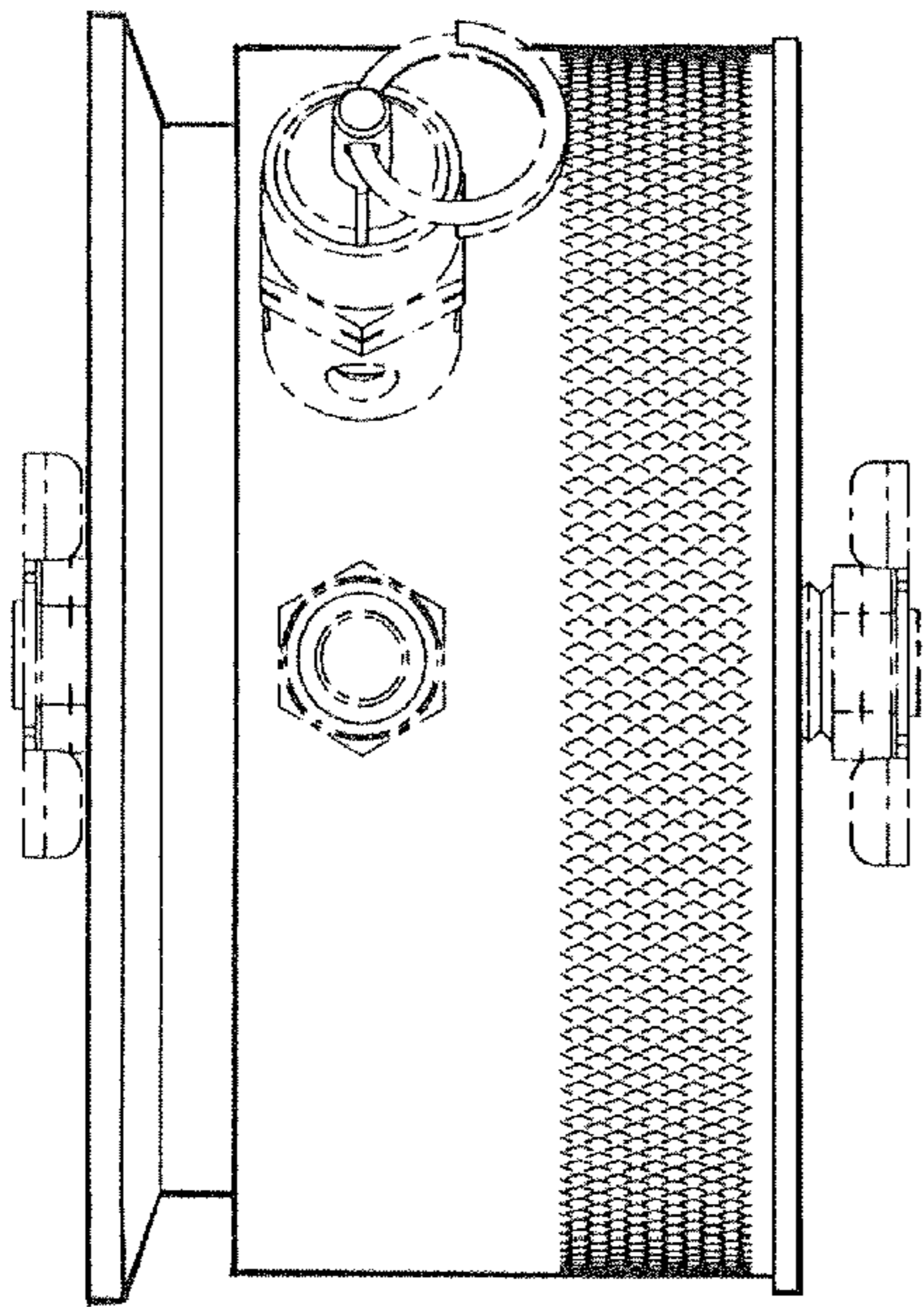


FIG. 5

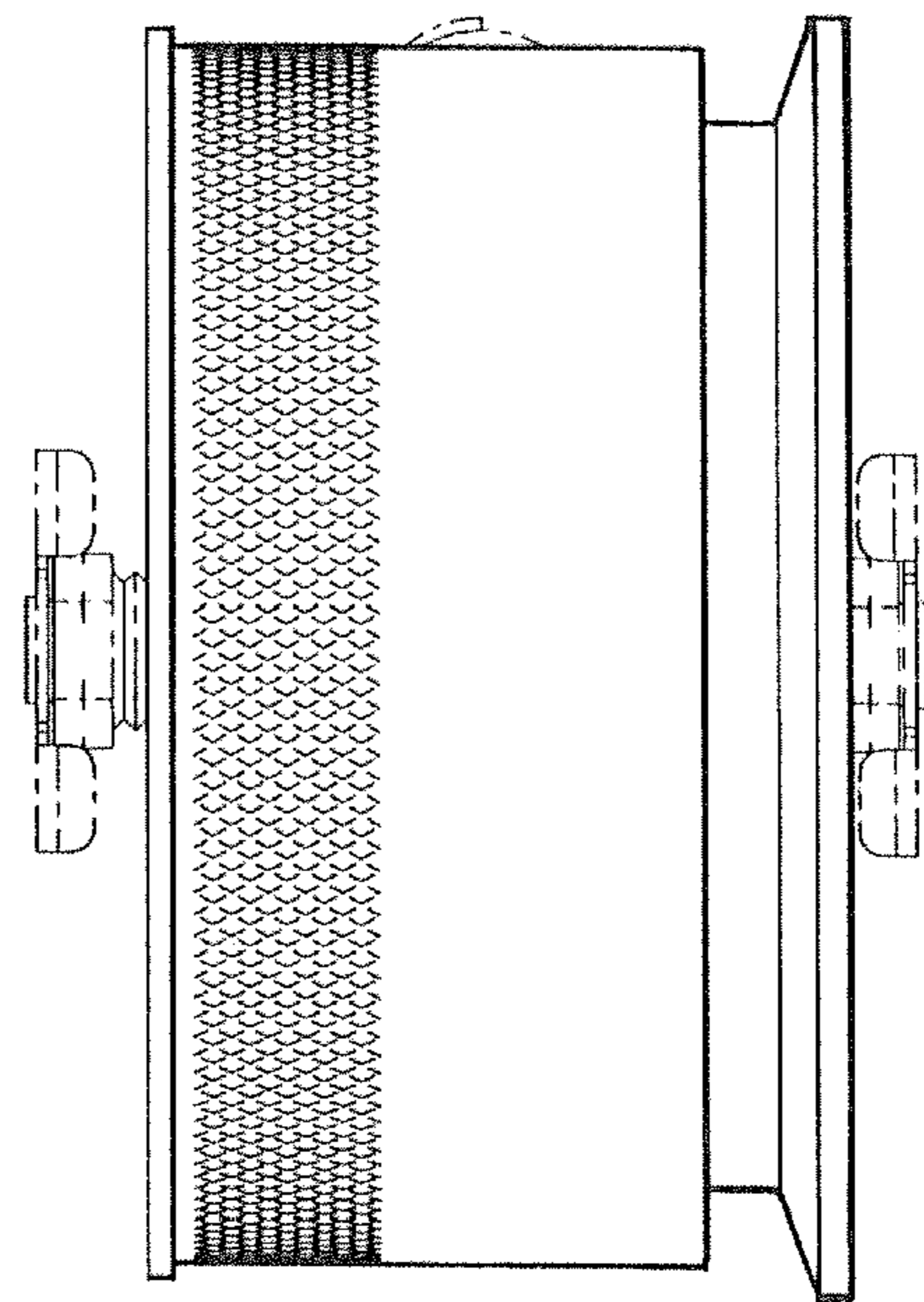


FIG. 6

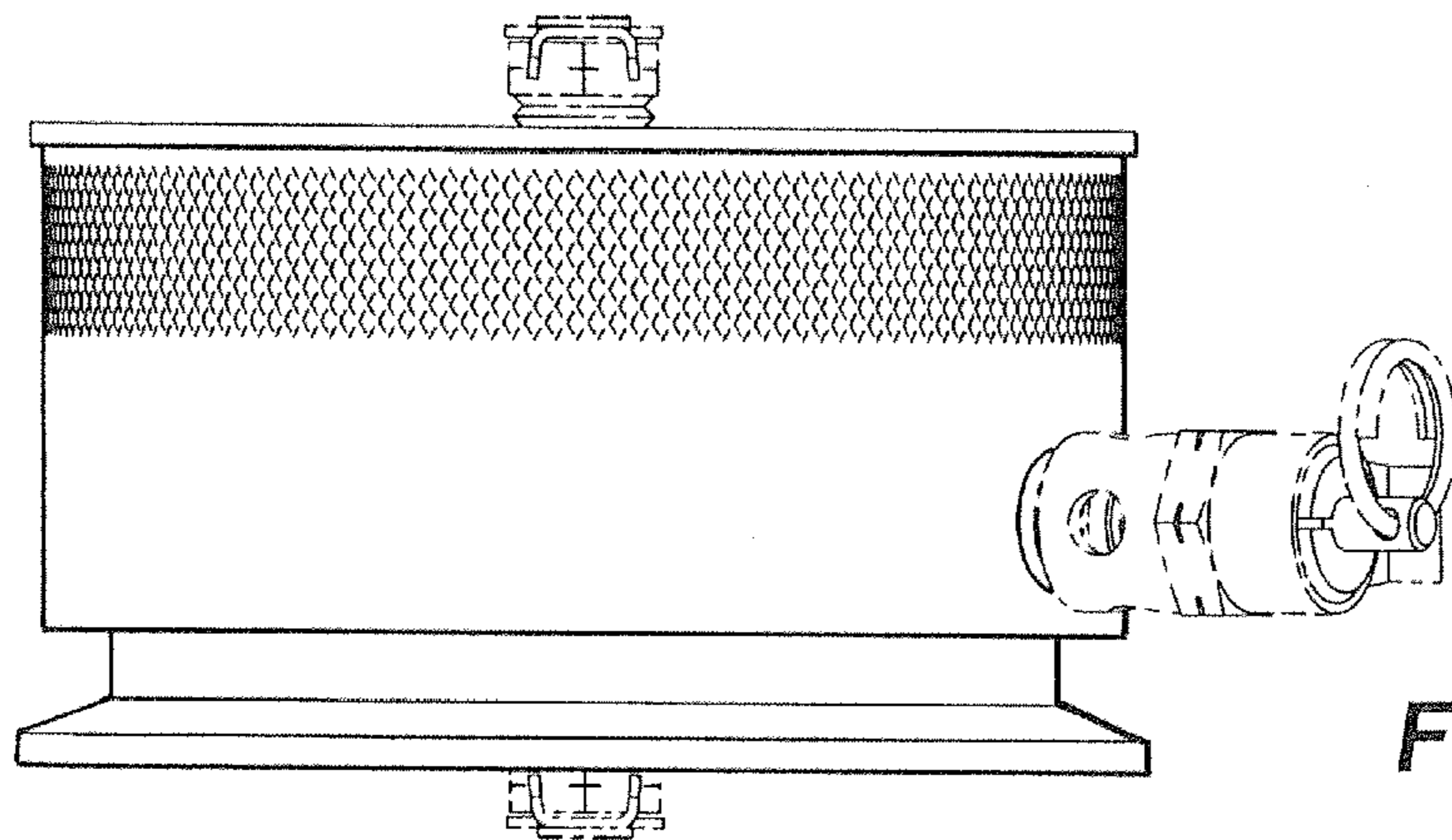


FIG. 7

FIG. 8

