



US00D626868S

(12) **United States Design Patent**  
**Richter**

(10) **Patent No.:** **US D626,868 S**  
(45) **Date of Patent:** **\*\* Nov. 9, 2010**

(54) **GLARE PROTECTION DEVICE FOR A GPS**

(76) Inventor: **Harald Richter**, Höhenstrasse 32, 75331 Engelsbrand (DE)

(\*\*) Term: **14 Years**

(21) Appl. No.: **29/316,991**

(22) Filed: **Dec. 2, 2009**

(30) **Foreign Application Priority Data**

Aug. 10, 2009 (DE) ..... 001 158 430-0001

(51) **LOC (9) Cl.** ..... **10-04**

(52) **U.S. Cl.** ..... **D10/74**

(58) **Field of Classification Search** ..... D8/349;  
D10/74; D14/347; 73/178 R; 248/346.01,  
248/671, 904, 314, 309.1, 689, 670, 122.1,  
248/125.1, 128, 130, 133, 139, 176.1, 313;  
340/995; 342/351, 419, 457, 357.06-357.13;  
343/702; 345/87, 104, 133, 156, 168, 173,  
345/901-905; 348/180, 184, 315, 739; 364/200,  
364/434, 443, 444, 449, 451, 708.1, 709.1;  
701/206-209, 213-214; 206/305, 701, 335;  
220/810-817; 224/400, 483, 282, 428-462

See application file for complete search history.

(56) **References Cited**

U.S. PATENT DOCUMENTS

D387,970 S \* 12/1997 Enslin ..... D8/349

\* cited by examiner

*Primary Examiner*—Antoine D Davis

(74) *Attorney, Agent, or Firm*—Klaus J. Bach

(57) **CLAIM**

The ornamental design for an glare protection device for GPS, as shown and described.

**DESCRIPTION**

FIG. 1 is a perspective view of a glare protection device for GPS;

FIG. 2 is a front view of the glare protection device shown in FIG. 1,

FIG. 3 is a top view of the glare protection device shown in FIG. 2,

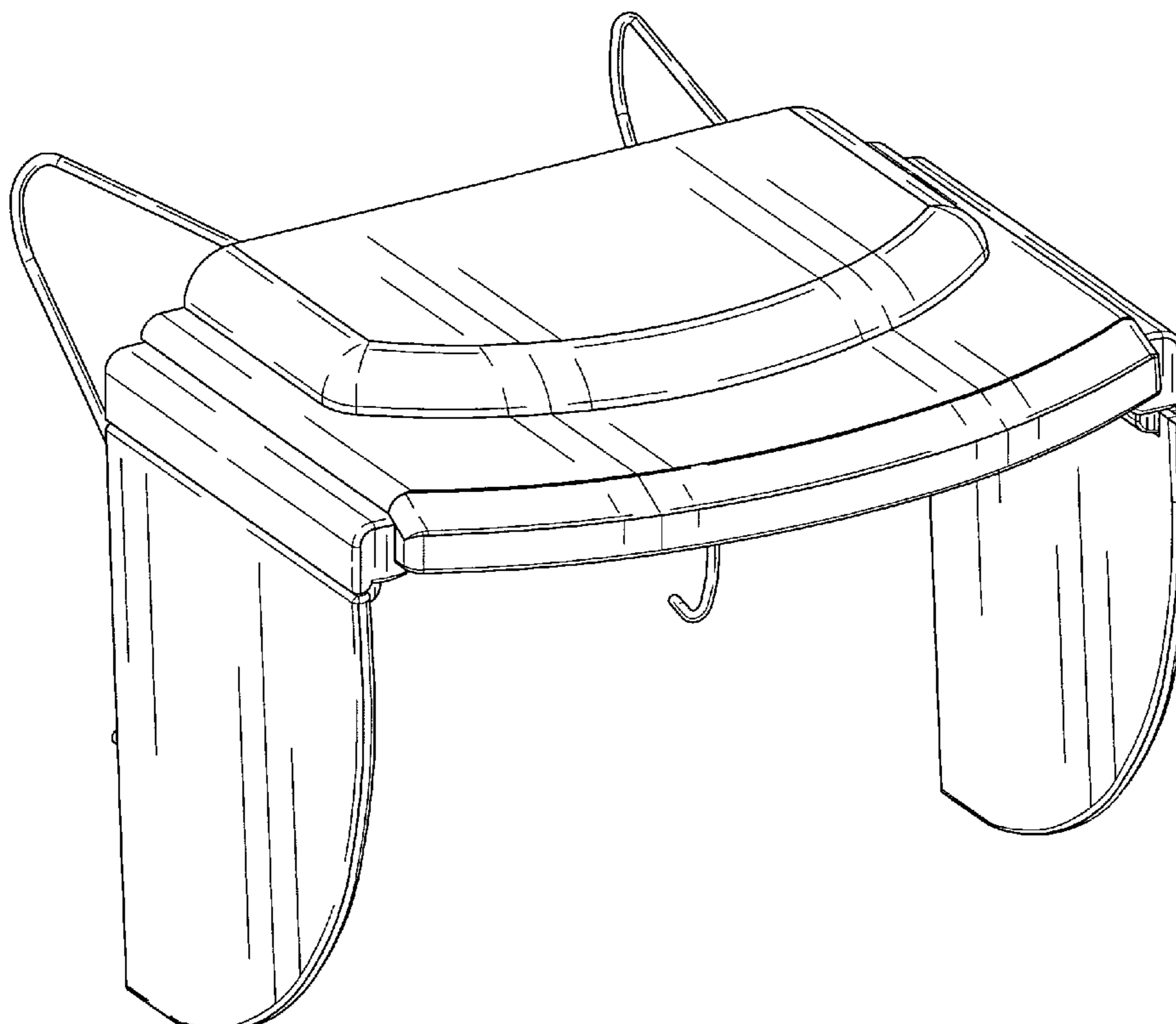
FIG. 4 is a left end view of the glare protection device shown in FIG. 2,

FIG. 5 is a right end view of the glare protection device shown in FIG. 2,

FIG. 6 is a bottom view of the glare protection device shown in FIG. 2; and,

FIG. 7 is a rear view of the glare protection device shown in FIG. 2.

**1 Claim, 7 Drawing Sheets**



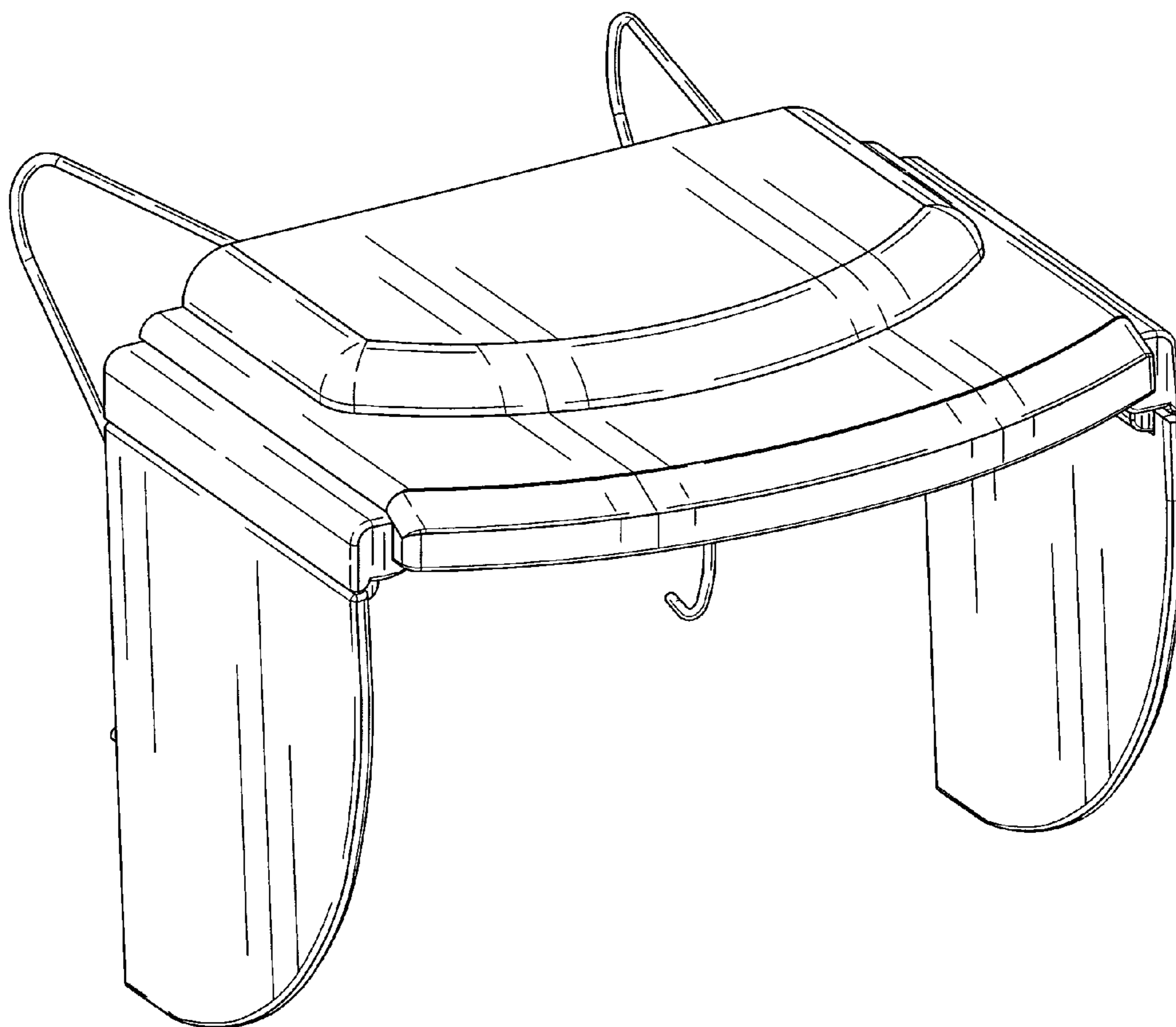


FIG.1

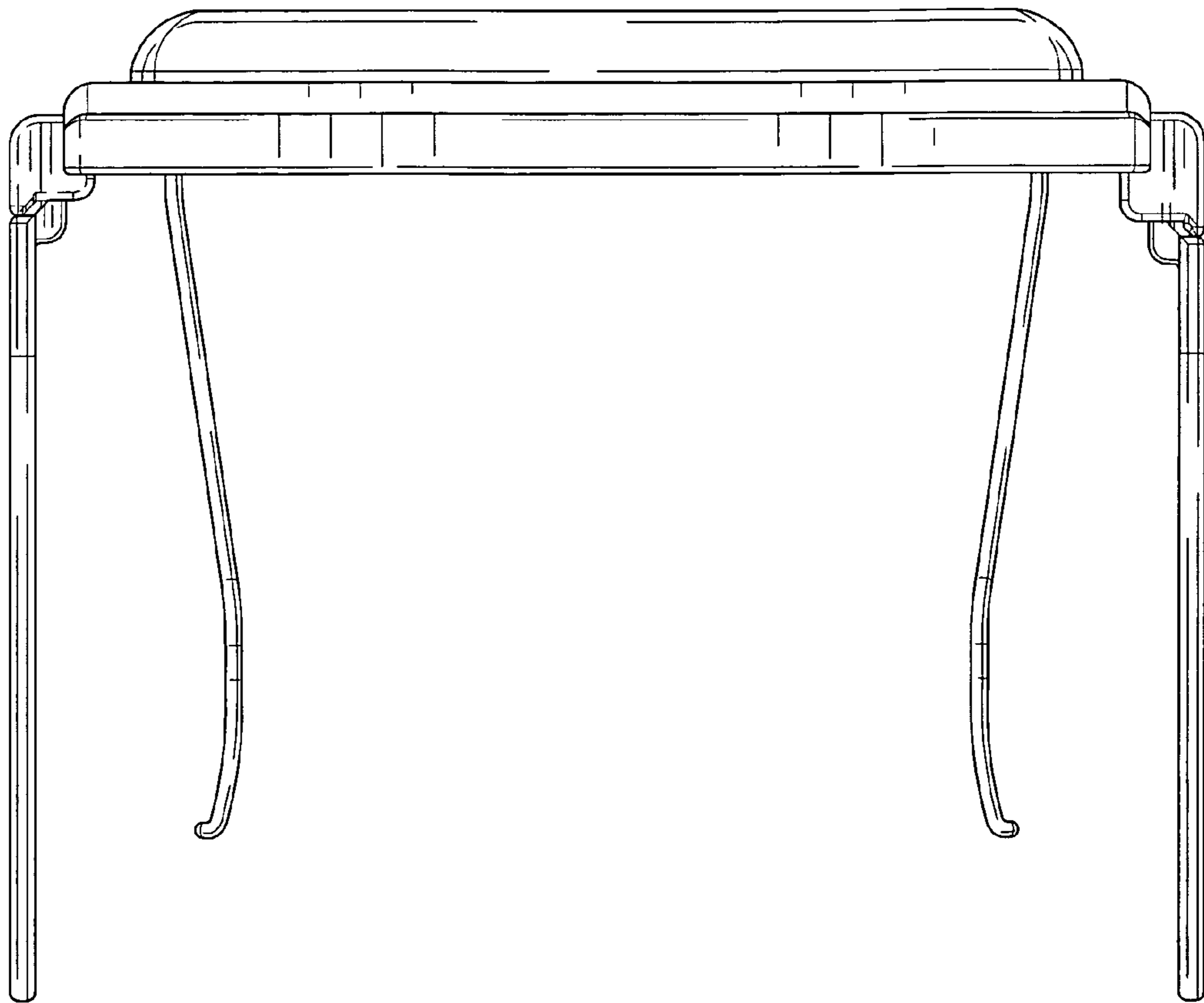


FIG. 2

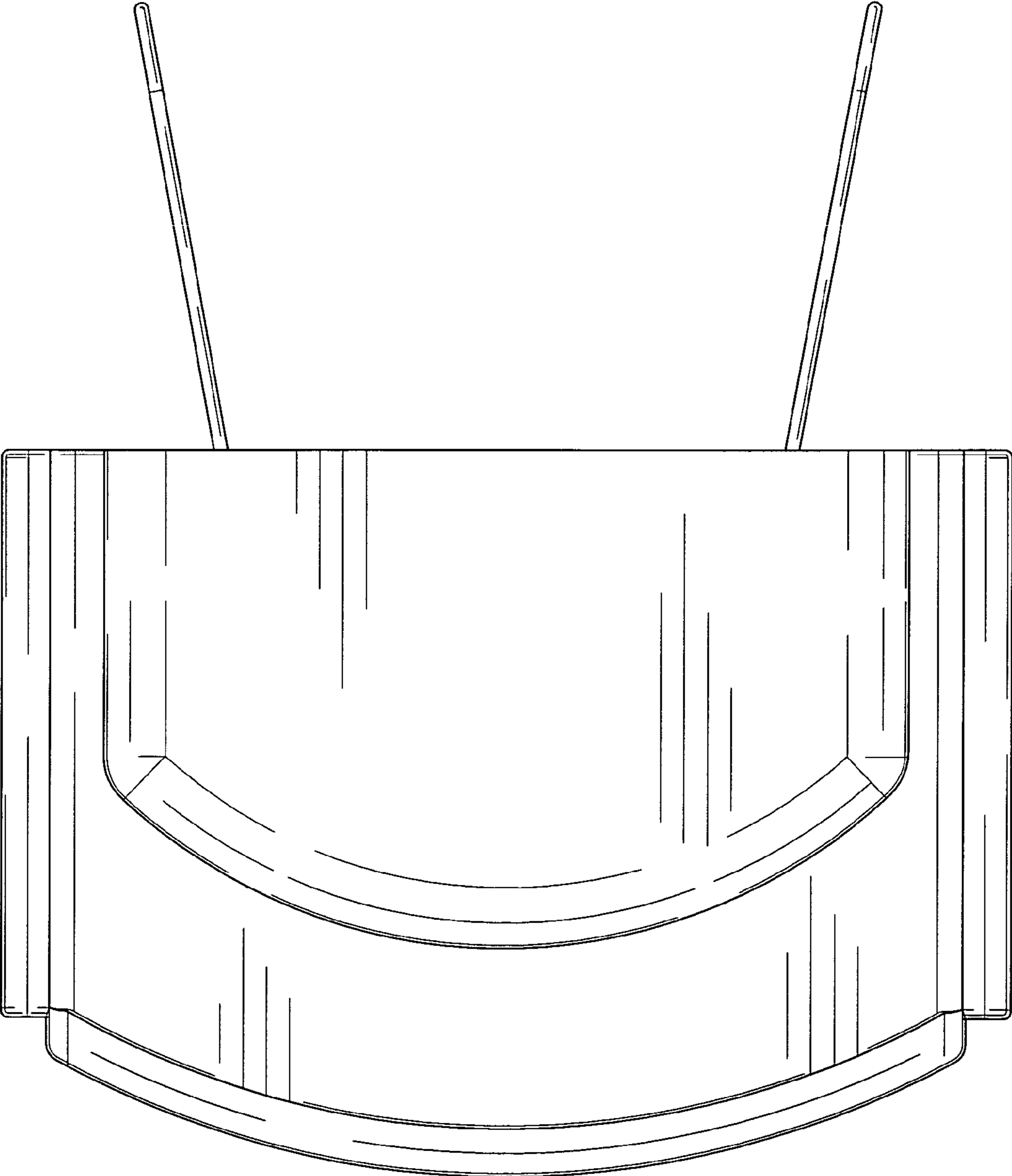


FIG. 3

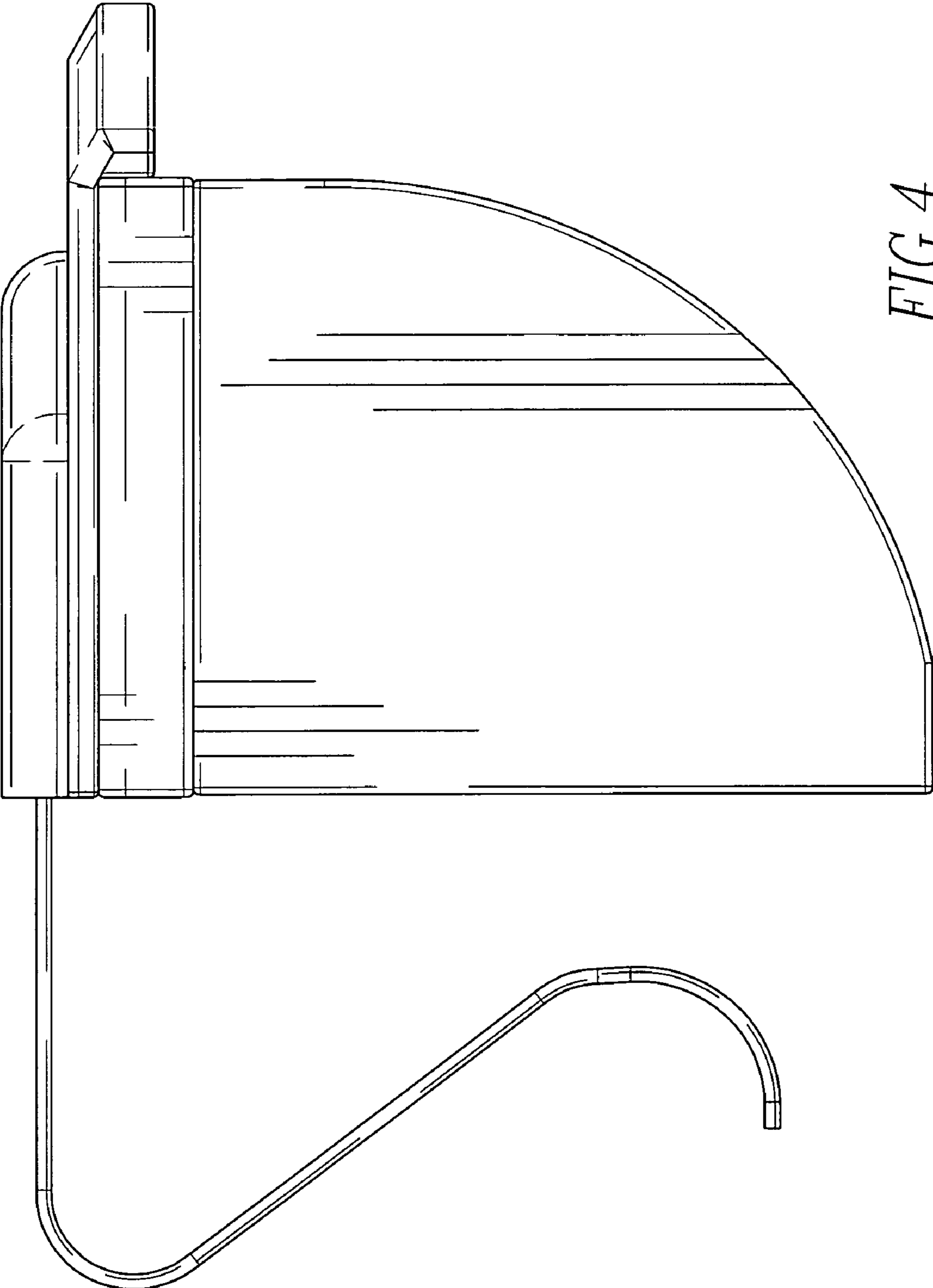


FIG. 4

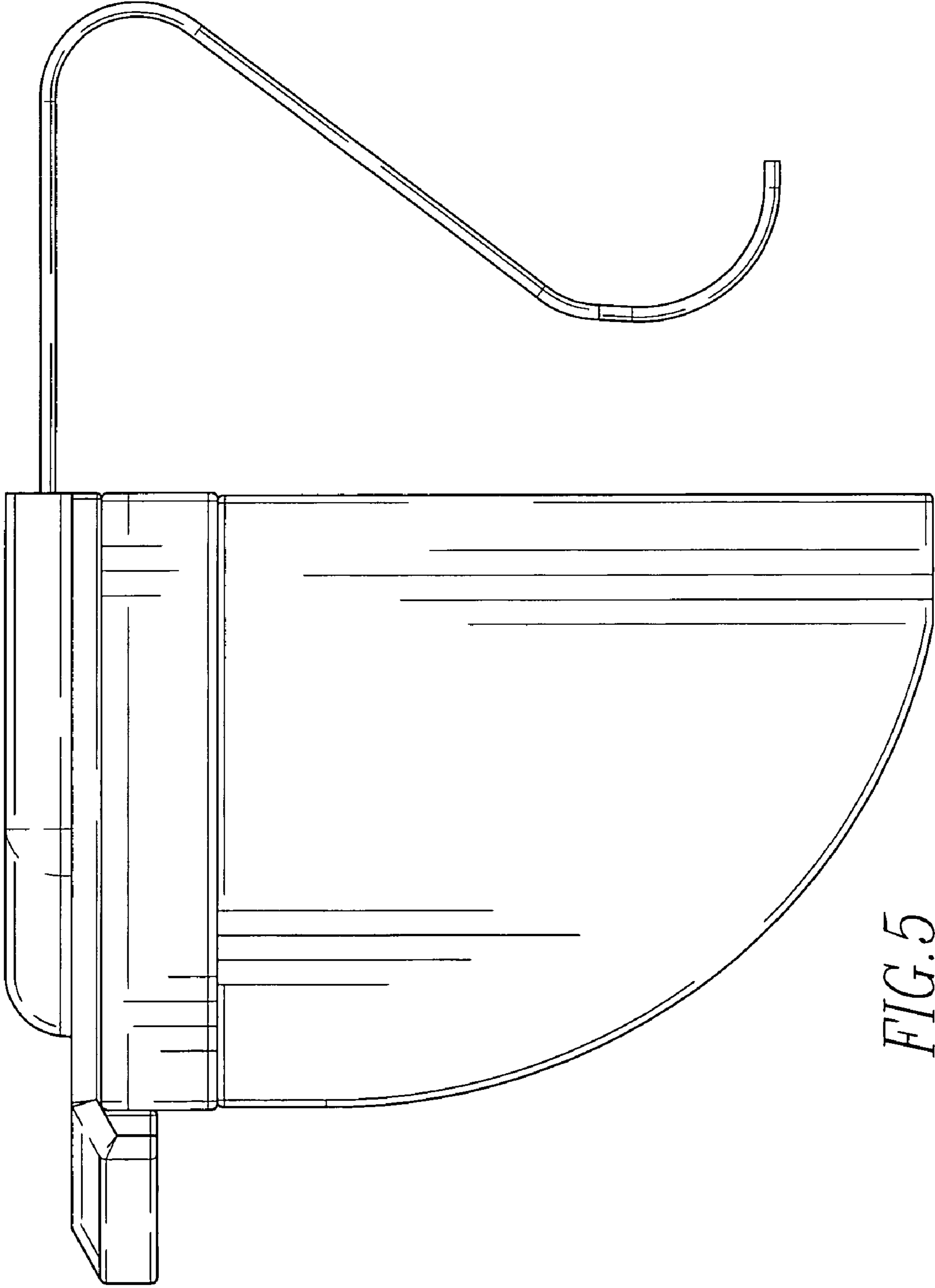


FIG. 5

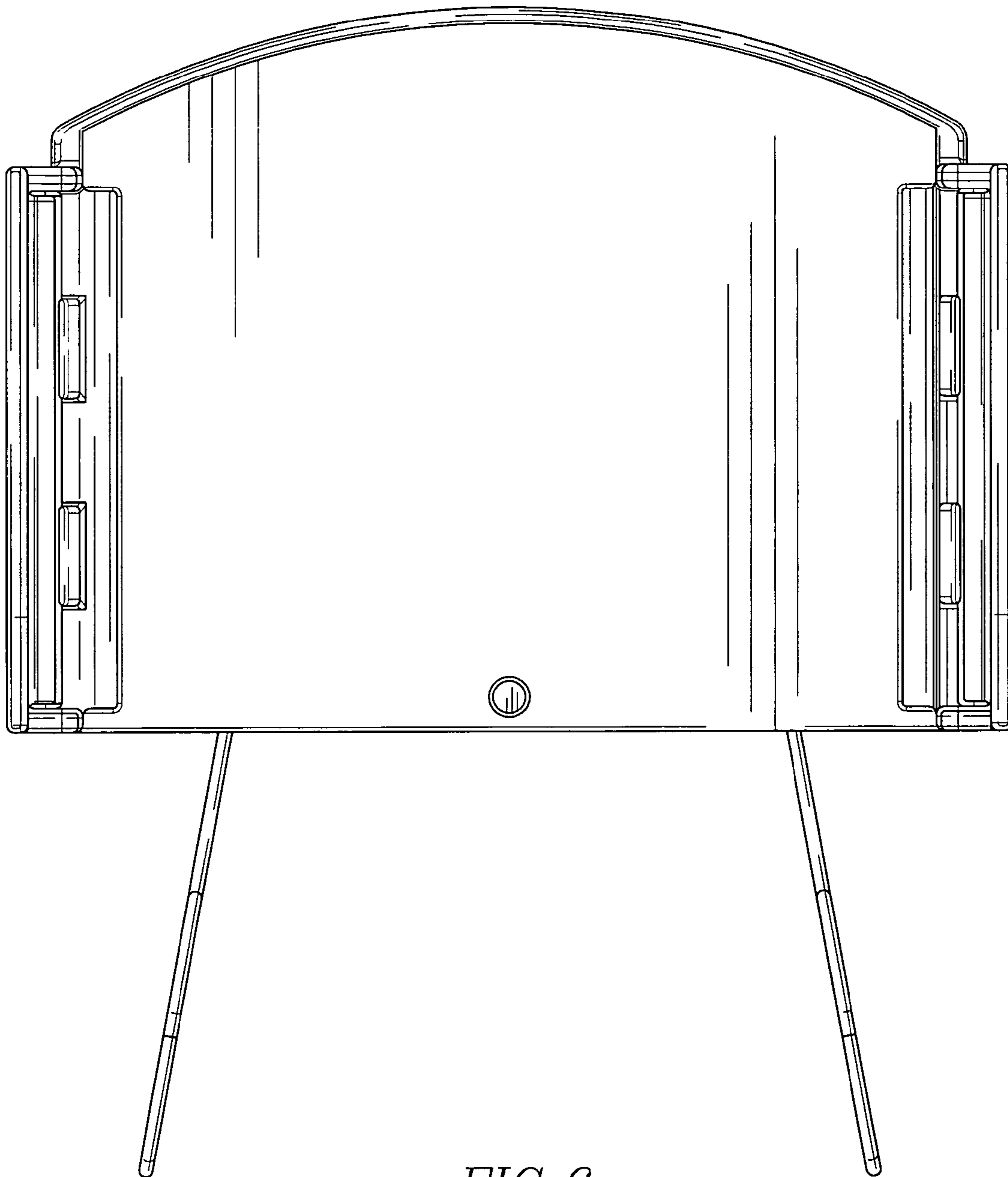
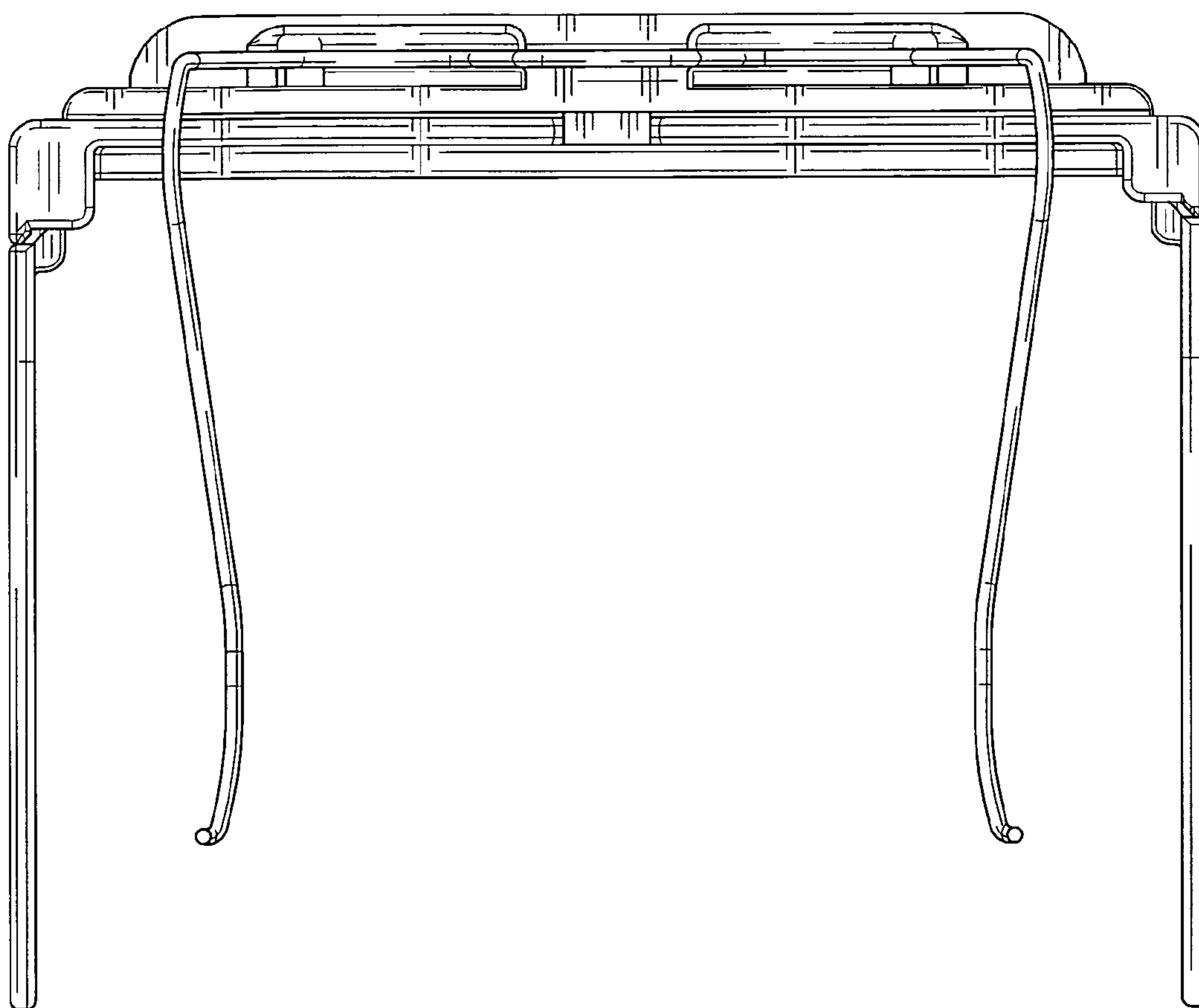


FIG. 6



*FIG. 7*