

US00D626867S

(12) **United States Design Patent**
Kuramoto

(10) **Patent No.:** **US D626,867 S**

(45) **Date of Patent:** **** Nov. 9, 2010**

(54) **CAR NAVIGATION**

(75) Inventor: **Takahiro Kuramoto**, Kangawa (JP)

(73) Assignee: **Pioneer Corporation**, Tokyo (JP)

(**) Term: **14 Years**

(21) Appl. No.: **29/347,819**

(22) Filed: **Jun. 16, 2010**

(30) **Foreign Application Priority Data**

Feb. 22, 2010 (JP) 2010-003988

(51) **LOC (9) Cl.** **10-04**

(52) **U.S. Cl.** **D10/65**

(58) **Field of Classification Search** D10/65;
D14/341, 344, 507, 138 R, 138 AA, 203.3,
D14/203.4, 203.5, 203.7; 342/386, 351,
342/419, 457, 357.06–357.13; 343/702;
345/87, 104, 133, 156, 168, 173, 901–905;
348/180, 184, 315, 739; 364/444, 499; 701/206–209,
701/213, 214; D13/107–109
See application file for complete search history.

(56) **References Cited**

U.S. PATENT DOCUMENTS

- D486,785 S * 2/2004 Shindo D13/107
- D517,007 S * 3/2006 Yong-Jian et al. D13/108
- D532,367 S * 11/2006 Kettula et al. D13/108
- D582,806 S * 12/2008 Schmid-Schweiger D10/65
- D603,333 S * 11/2009 Fahrendorff et al. D13/107

D606,491 S * 12/2009 Rosen D13/108
2010/0141839 A1 * 6/2010 Supran et al. 348/553

* cited by examiner

Primary Examiner—Antoine D Davis

(74) *Attorney, Agent, or Firm*—Jean C. Edwards, Esq.;
Akerman Senterfitt

(57) **CLAIM**

The ornamental design for a car navigation, as shown and described.

DESCRIPTION

FIG. 1 is a perspective view of the front, top and right side of a car navigation showing my new design;

FIG. 2 is a perspective reference view in a state that the car navigation is removed from a cradle;

FIG. 3 is a perspective reference view in a state that the car navigation with a memory card is removed from a cradle;

FIG. 4 is a front view thereof;

FIG. 5 is a rear view thereof;

FIG. 6 is a left side view thereof;

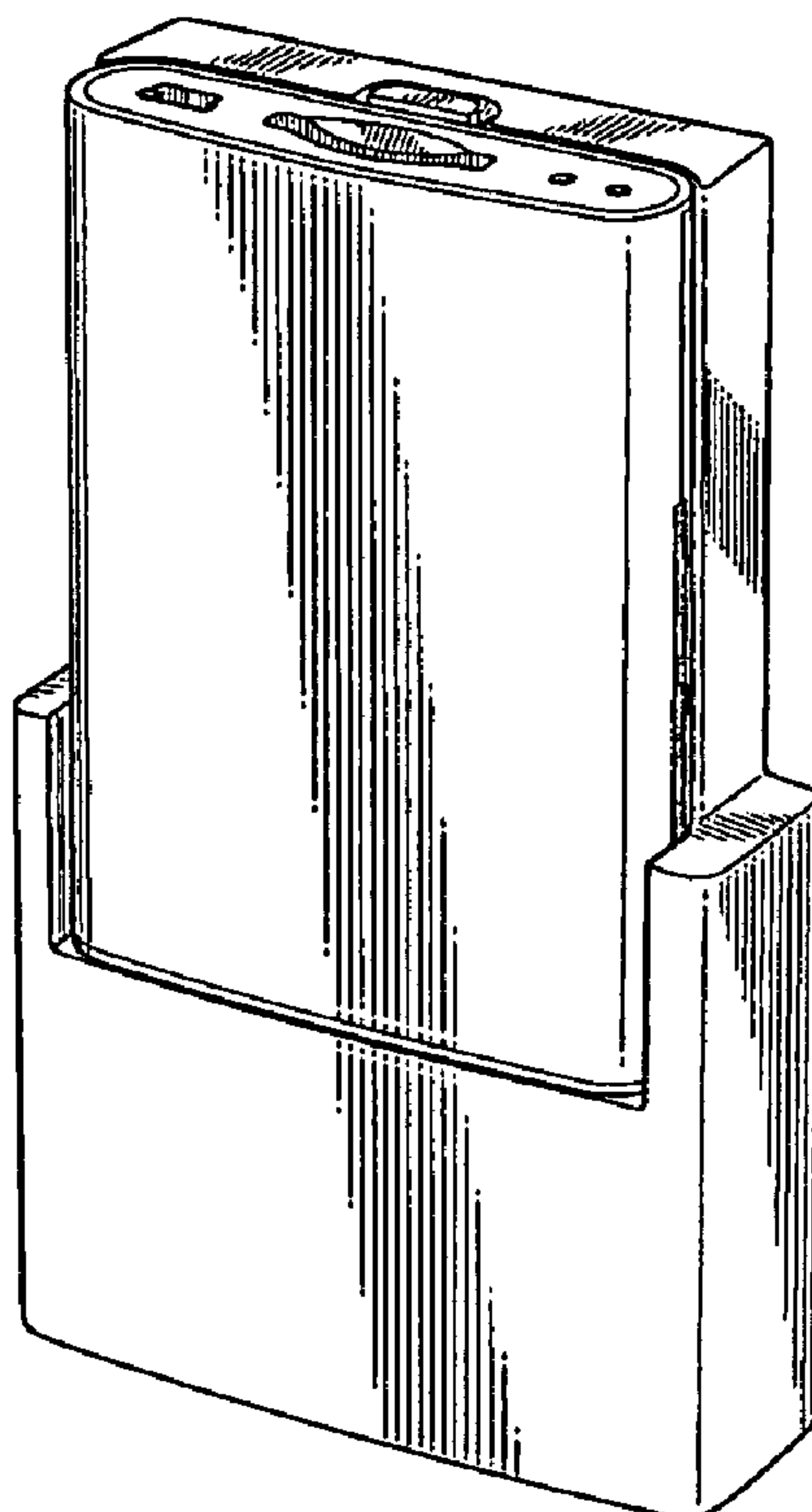
FIG. 7 is a right side view thereof;

FIG. 8 is a top plan view of usage thereof; and,

FIG. 9 is a bottom side view thereof.

The portions of the article in broken lines are shown for illustrative purposes only and form no part of the claimed design.

1 Claim, 5 Drawing Sheets



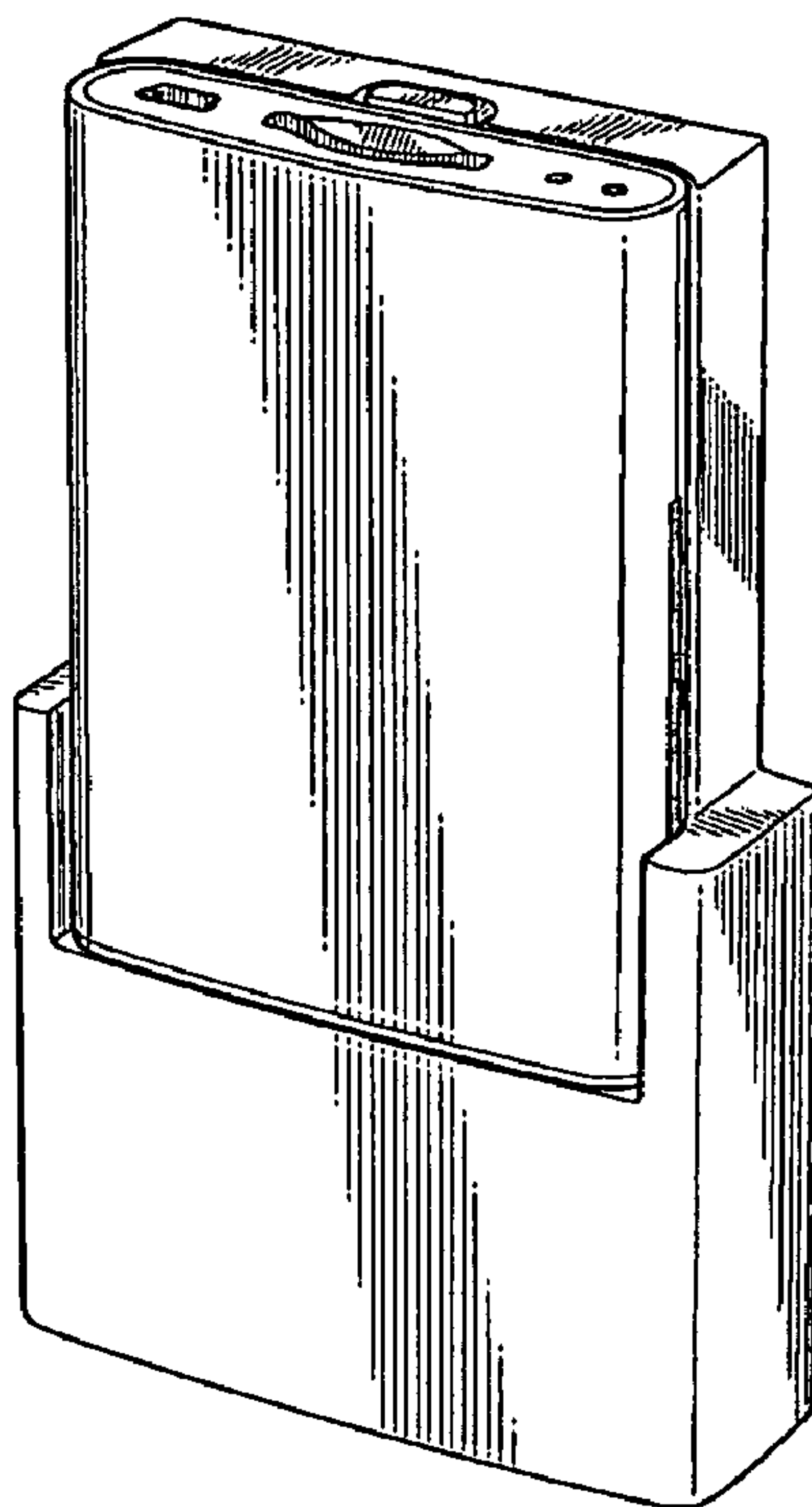


FIG. 1

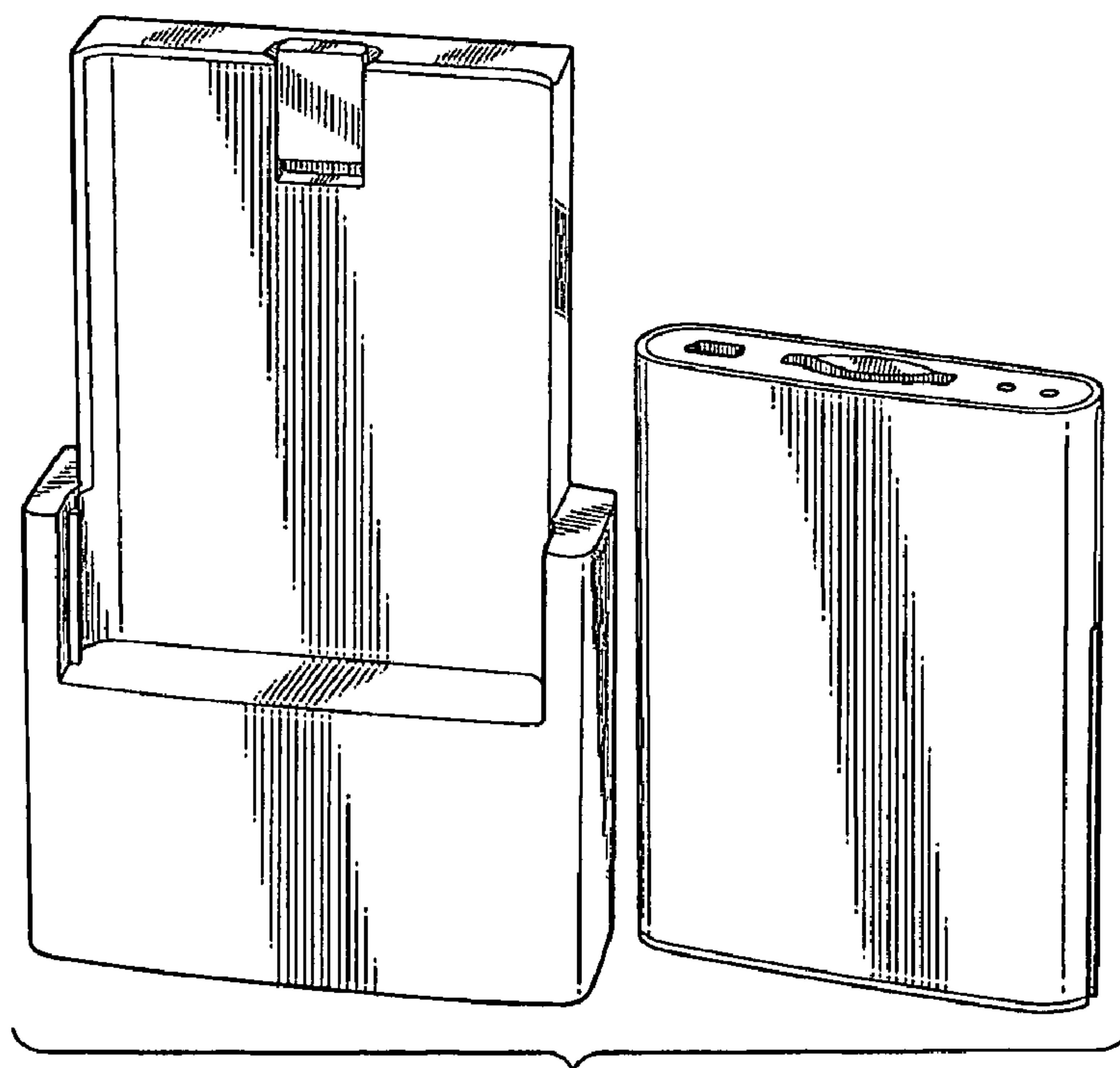


FIG. 2

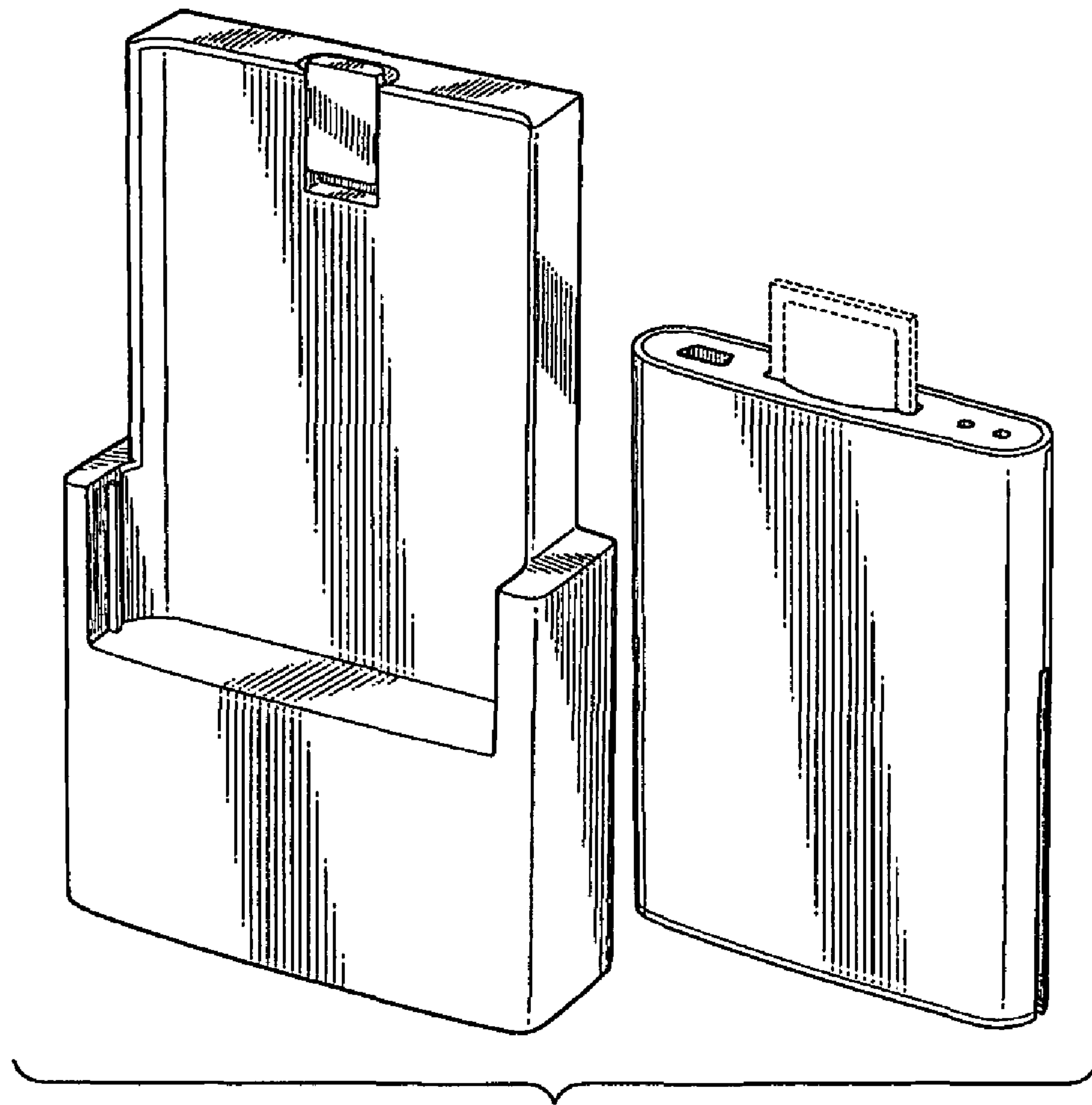


FIG. 3

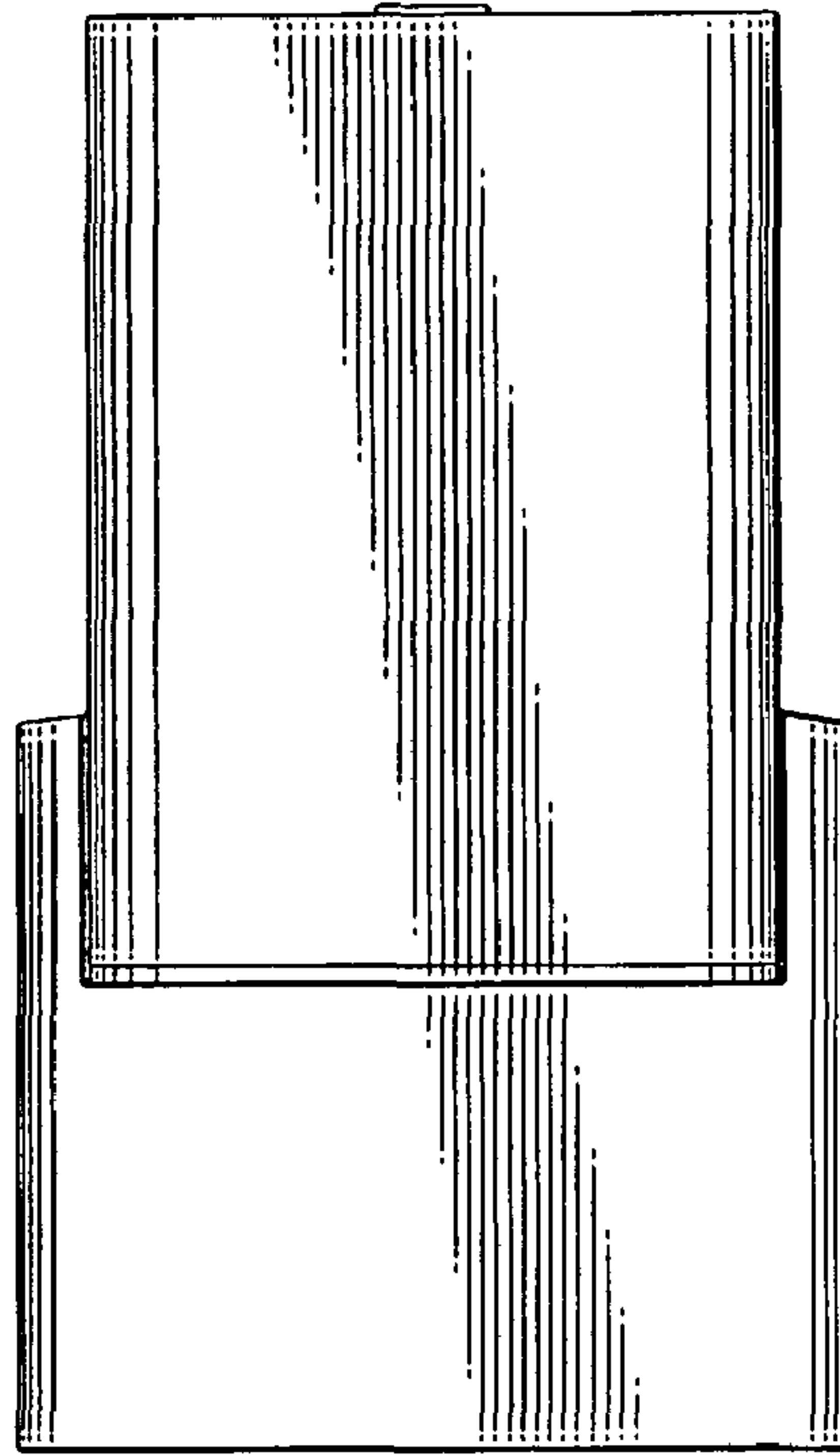


FIG. 4

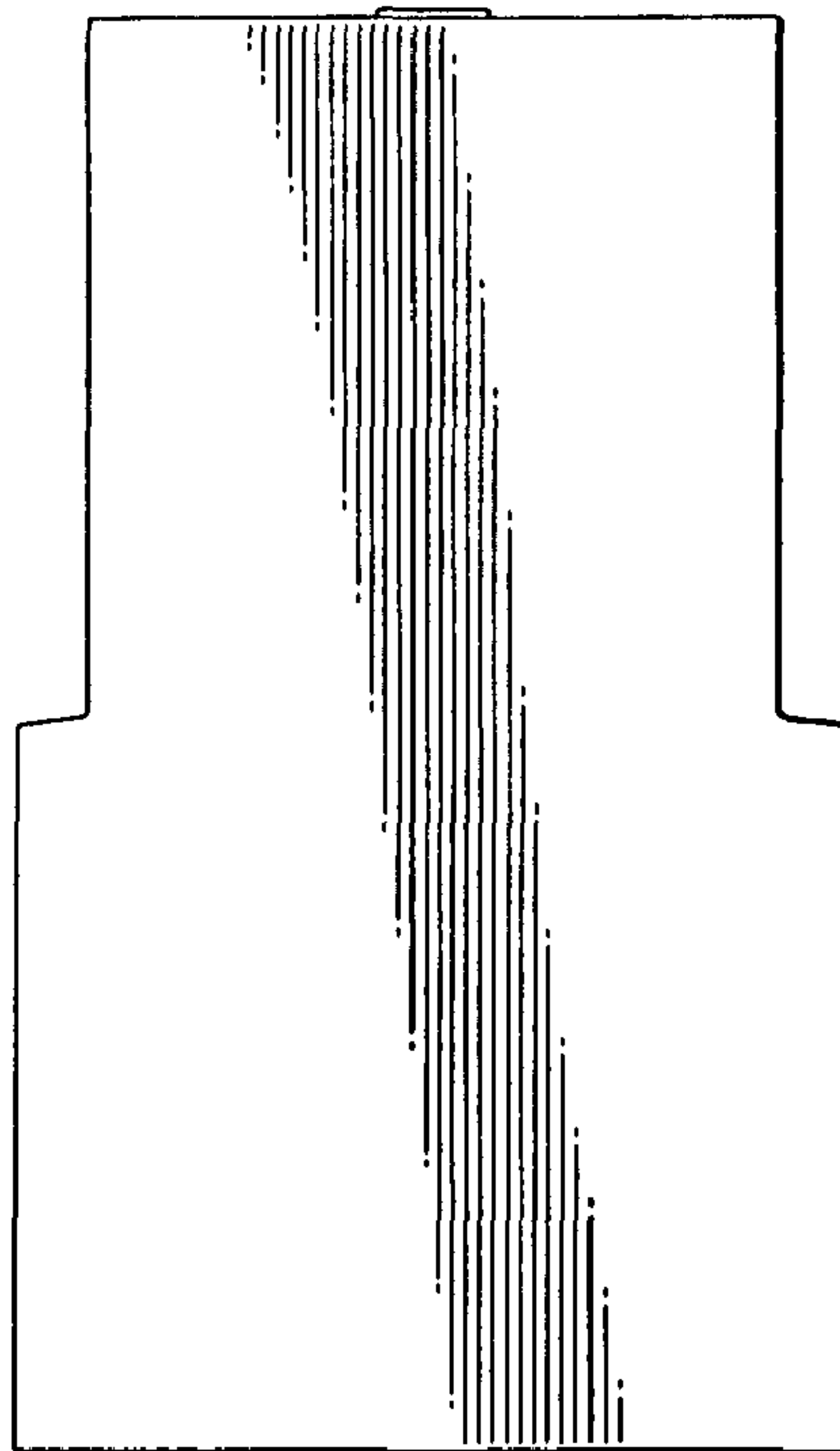


FIG. 5

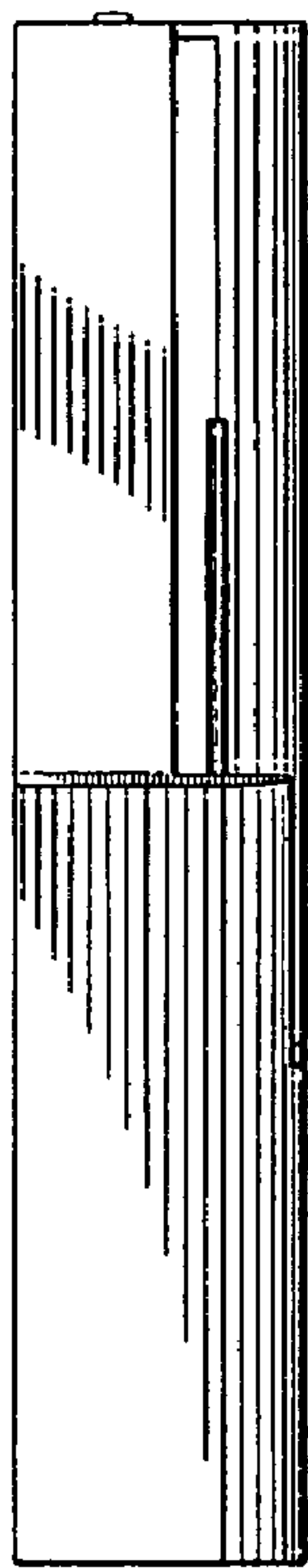


FIG. 6

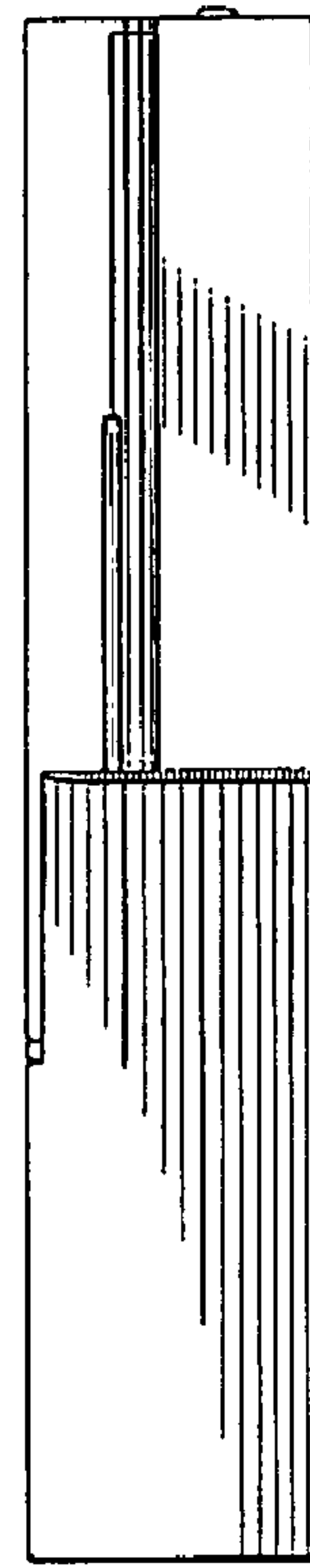


FIG. 7

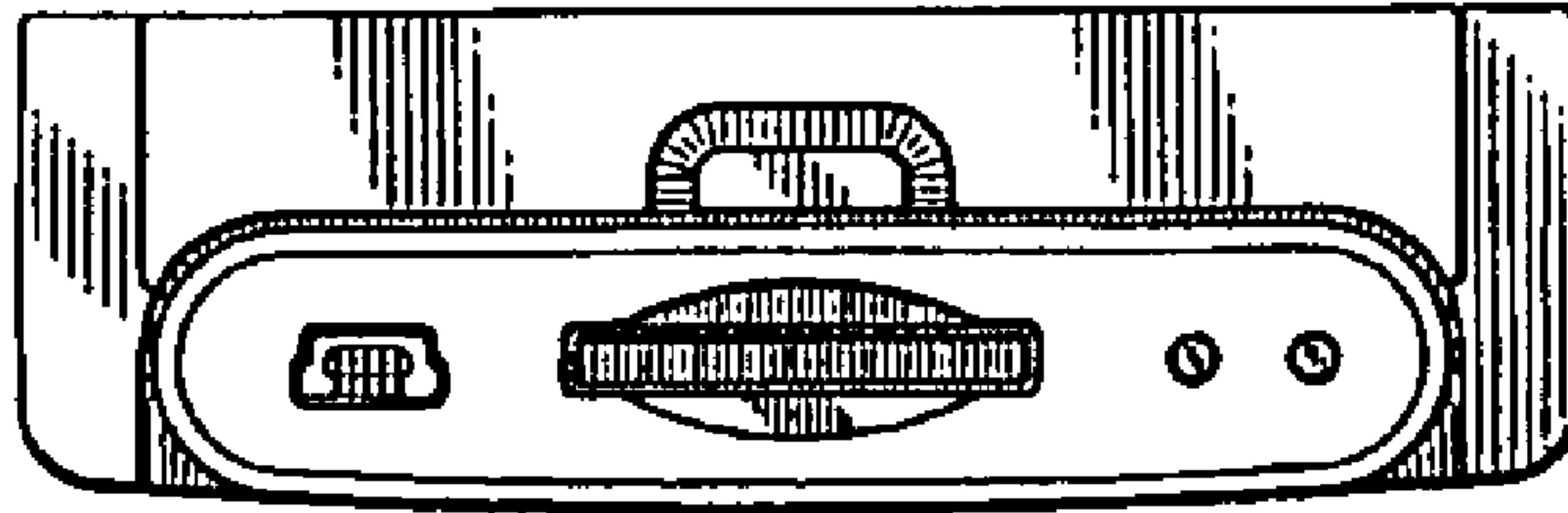


FIG. 8

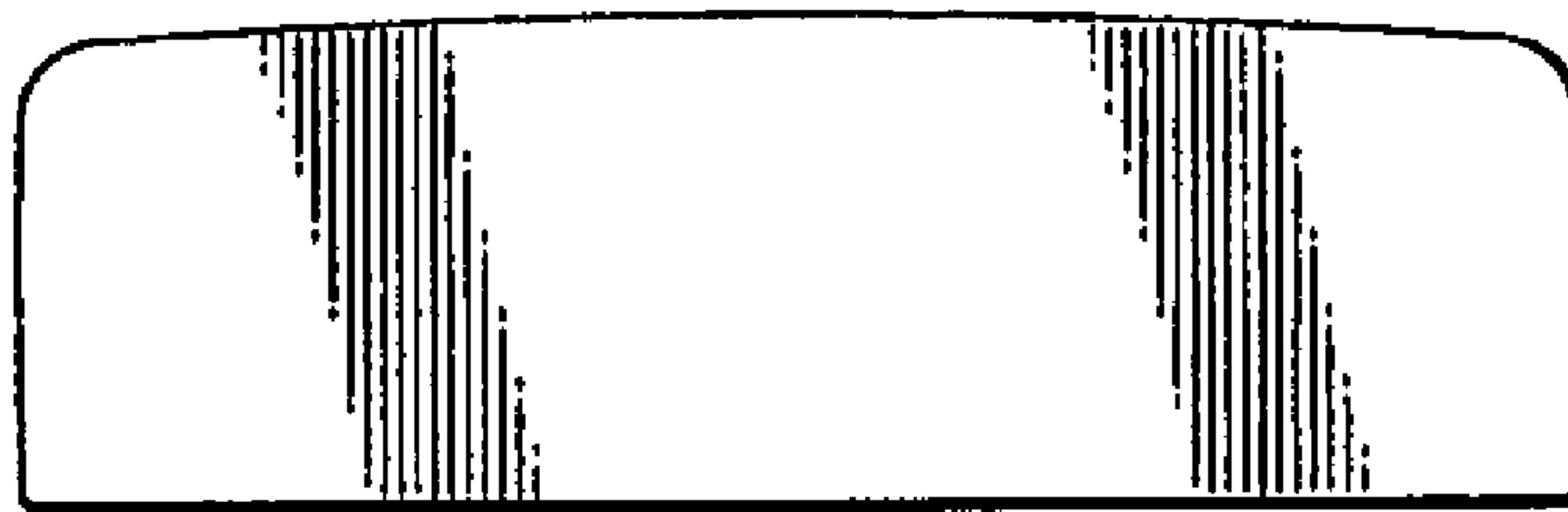


FIG. 9