



US00D626866S

(12) **United States Design Patent**
Powers

(10) **Patent No.:** **US D626,866 S**
(45) **Date of Patent:** **** Nov. 9, 2010**

(54) **ELECTRONICALLY CONTROLLED AND MONITORED CONTAINMENT SYSTEM**

(76) Inventor: **Brenda Bagavathi Powers**, 1535 Buena Vista Ave., Alameda, CA (US) 94501

(**) Term: **14 Years**

(21) Appl. No.: **29/351,273**

(22) Filed: **Dec. 2, 2009**

(51) **LOC (9) Cl.** **10-03**

(52) **U.S. Cl.** **D10/40; D24/30**

(58) **Field of Classification Search** D10/40;
D24/216, 224, 226, 227, 229, 230; D3/203.3,
D3/304, 313, 314; 368/10, 107-109; 422/104;
211/71.01; 435/288.4, 305.2

See application file for complete search history.

(56) **References Cited**

U.S. PATENT DOCUMENTS

D166,734 S *	5/1952	Chandler	D3/313
D192,672 S *	4/1962	Jenkisn	D24/230
D207,684 S *	5/1967	Welch	D24/226
3,442,378 A *	5/1969	Wolfe	206/459.5
D225,785 S *	1/1973	Geddis	D24/230
D243,798 S *	3/1977	Swartz	D24/226
4,038,937 A *	8/1977	Moe	116/308
4,124,143 A	11/1978	Thomas		
D252,072 S *	6/1979	Bridges	D3/203.3
4,275,384 A *	6/1981	Hicks et al.	340/309.4
4,293,845 A *	10/1981	Villa-Real	340/309.3
D264,810 S *	6/1982	Voltmann	D3/203.3
D268,130 S *	3/1983	Easton	D24/230
D276,998 S	1/1985	Caven		
D279,551 S	7/1985	Claytor, III		
4,526,474 A *	7/1985	Simon	368/10
D282,579 S *	2/1986	Juergens	D24/230
D283,164 S *	3/1986	Pandya	D24/230
D283,249 S *	4/1986	Clark	D24/226
4,626,105 A *	12/1986	Miller	368/10
4,682,299 A *	7/1987	McIntosh et al.	702/177
4,717,042 A *	1/1988	McLaughlin	221/3
4,725,999 A *	2/1988	Tate	368/10
D298,416 S	11/1988	Rakocy		

D311,340 S	10/1990	Armstrong		
4,962,491 A *	10/1990	Schaeffer	368/21
4,970,669 A *	11/1990	McIntosh et al.	702/177
5,099,463 A *	3/1992	Lloyd et al.	368/10
5,159,581 A *	10/1992	Agans	368/10
5,174,451 A *	12/1992	Niven	206/534
5,200,891 A *	4/1993	Kehr et al.	221/2
D350,478 S *	9/1994	Fuller et al.	D3/203.3
5,408,443 A *	4/1995	Weinberger	368/10
5,508,005 A *	4/1996	Mathus	422/102
5,642,731 A *	7/1997	Kehr	600/300
5,646,912 A *	7/1997	Cousin	368/10
D383,668 S	9/1997	Siegel et al.		
5,823,363 A *	10/1998	Cassel	211/60.1
5,850,917 A *	12/1998	Denton et al.	206/366
5,850,937 A *	12/1998	Rauche	221/2
D403,498 S *	1/1999	Humble	D3/203.3
D420,743 S *	2/2000	Monks	D24/224
6,068,158 A	5/2000	Chabout		
D429,469 S *	8/2000	McPhee	D10/40
6,169,707 B1 *	1/2001	Newland	368/10
D448,854 S *	10/2001	Kuiper et al.	D24/230

(Continued)

Primary Examiner—Lucy Lieberman

(57) **CLAIM**

The ornamental design for an electronically controlled and monitored containment system, as shown and described.

DESCRIPTION

FIG. 1 is a top front isometric view of my electronically controlled and monitored containment system showing my new design;

FIG. 2 is a front elevation view thereof;

FIG. 3 is a rear elevation view thereof;

FIG. 4 is a left side elevation view thereof;

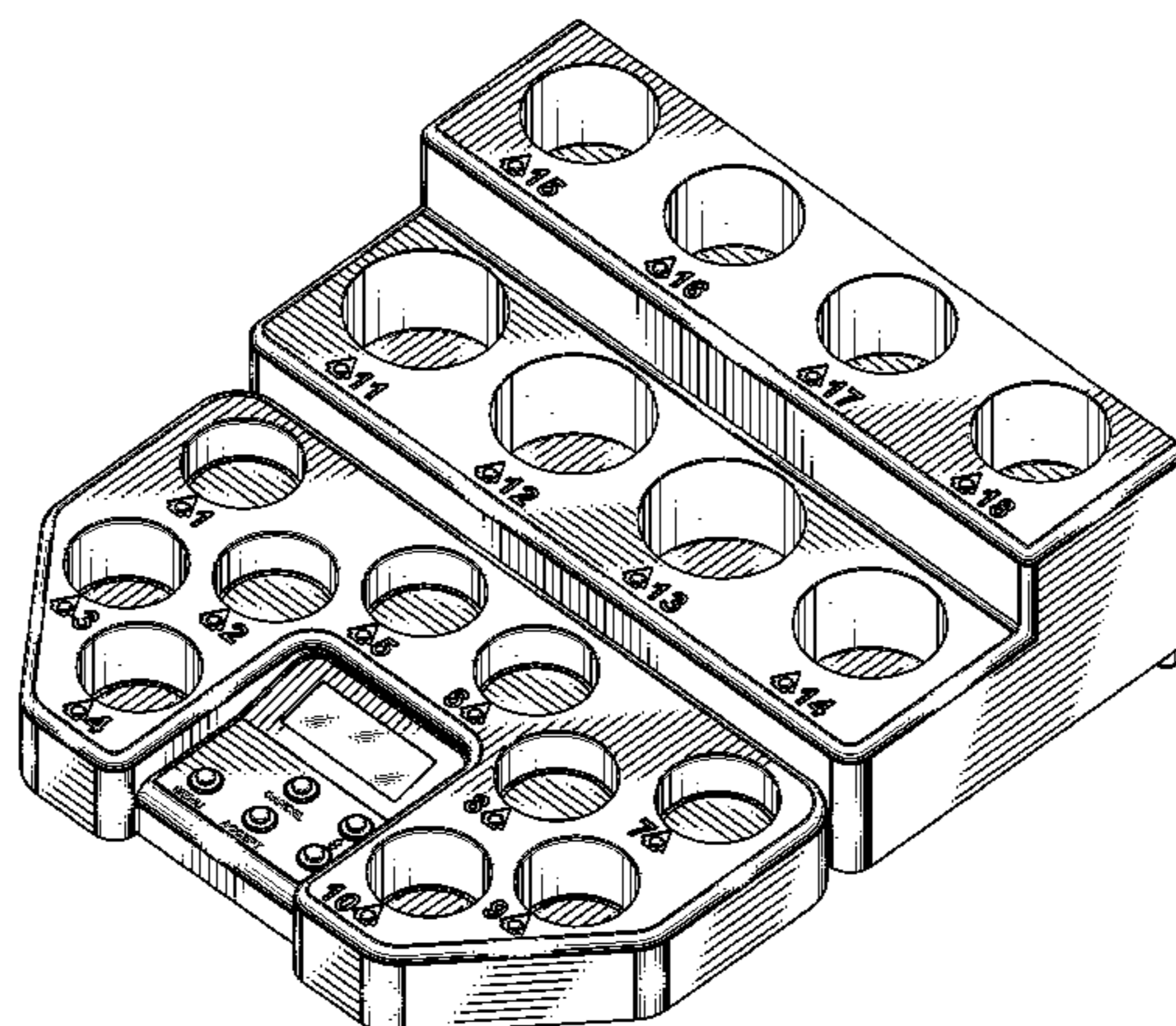
FIG. 5 is a right side elevation view thereof;

FIG. 6 is a top plan view thereof;

FIG. 7 is a bottom plan view thereof; and,

FIG. 8 is a top rear isometric view thereof.

1 Claim, 8 Drawing Sheets



US D626,866 S

Page 2

U.S. PATENT DOCUMENTS

6,401,991	B1 *	6/2002	Eannone	222/638	7,147,127	B2	12/2006	Lepke et al.
6,449,218	B1 *	9/2002	Lluch	368/10	D537,734	S	3/2007	Wolpow
6,543,616	B1 *	4/2003	Peterson	206/534	D538,538	S *	3/2007	Espinosa D3/313
6,550,618	B2	4/2003	Peterson		D547,052	S *	7/2007	Cooper D3/203.3
6,860,390	B2 *	3/2005	Bowman	206/534	D563,095	S	3/2008	Sabbag
D511,109	S *	11/2005	Somers	D10/40	7,543,718	B2	6/2009	Simon
7,004,324	B1 *	2/2006	Delorio	206/570	D596,758	S *	7/2009	Constable D24/230
7,042,807	B1 *	5/2006	Breen	368/10	7,571,811	B2	8/2009	Mulaw
D528,434	S	9/2006	Wolpow		7,575,003	B2	8/2009	Rasmussen et al.
7,107,122	B1 *	9/2006	Whyte	700/241	7,584,849	B2	9/2009	Mauk
D529,622	S *	10/2006	Hadjis et al.	D24/229	7,587,259	B2	9/2009	Berg
					7,596,925	B2	10/2009	Yuyama et al.

* cited by examiner

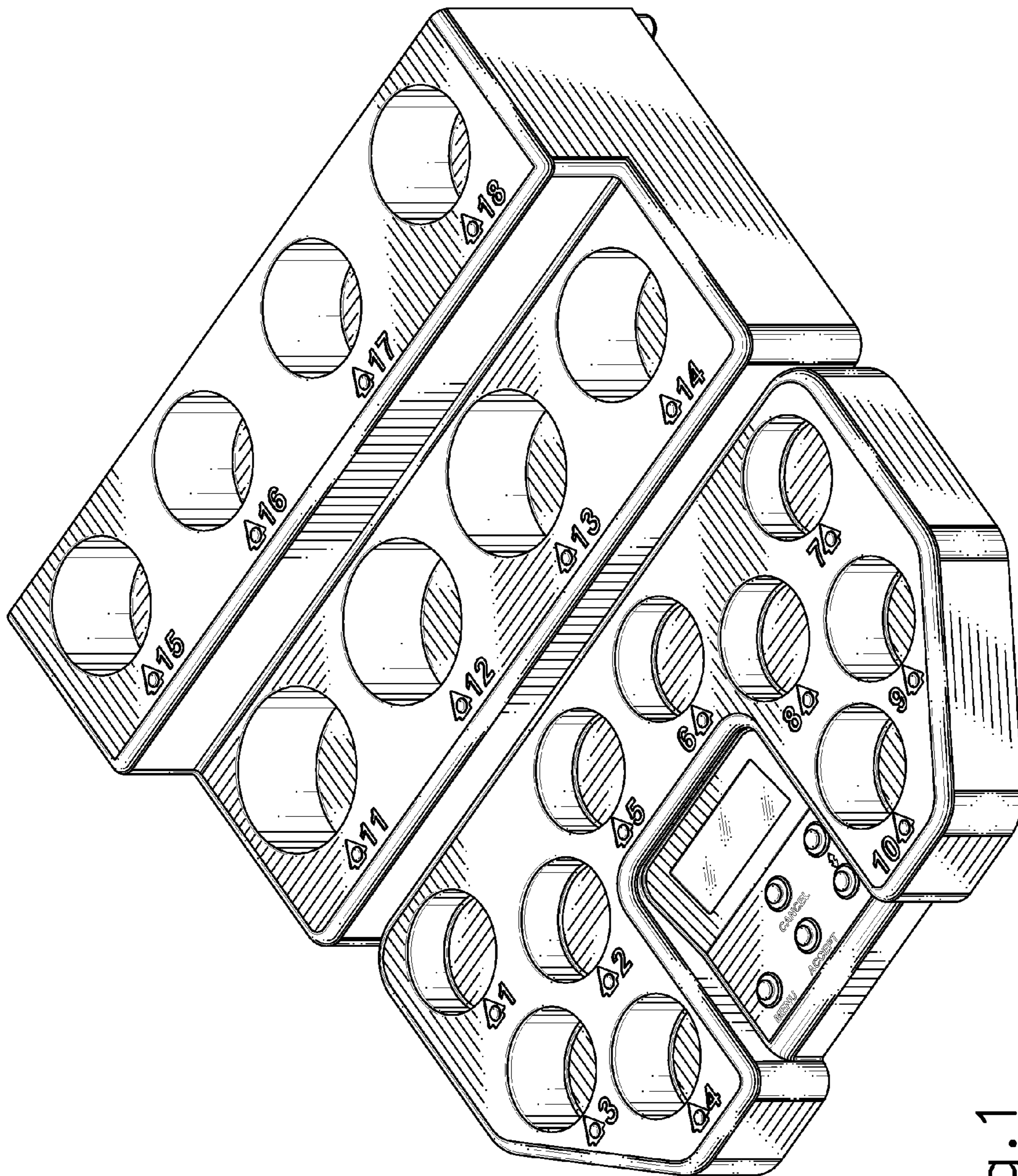


Fig. 1

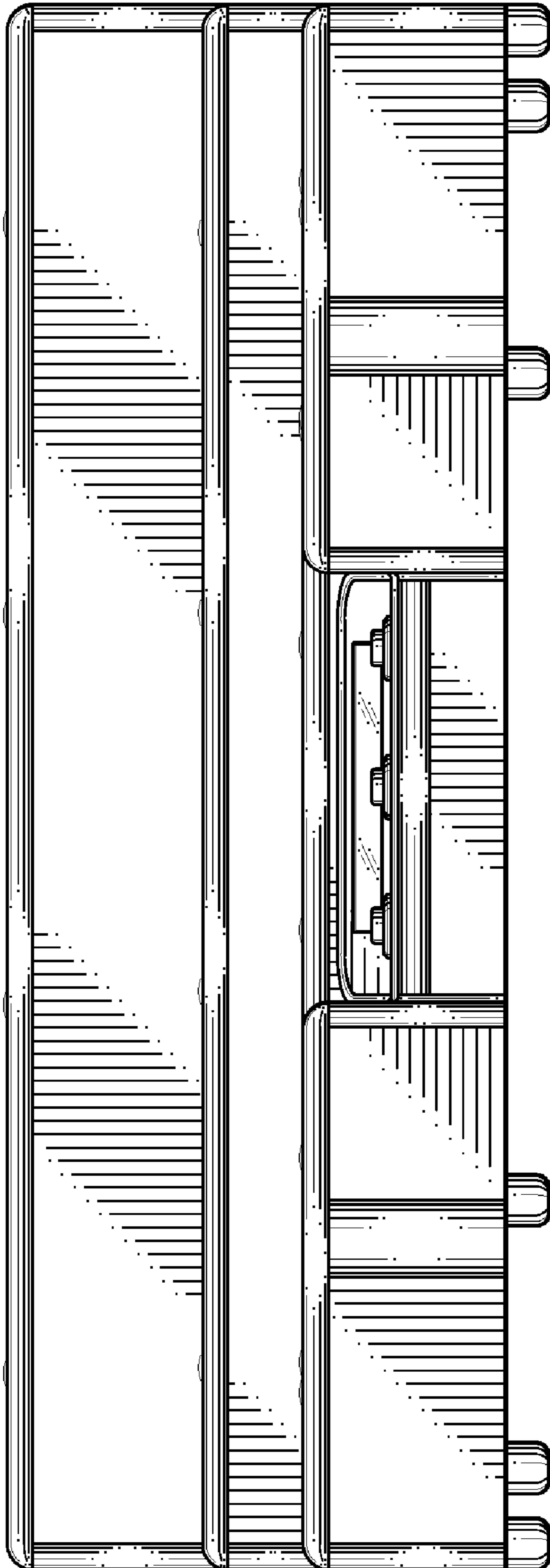


Fig. 2

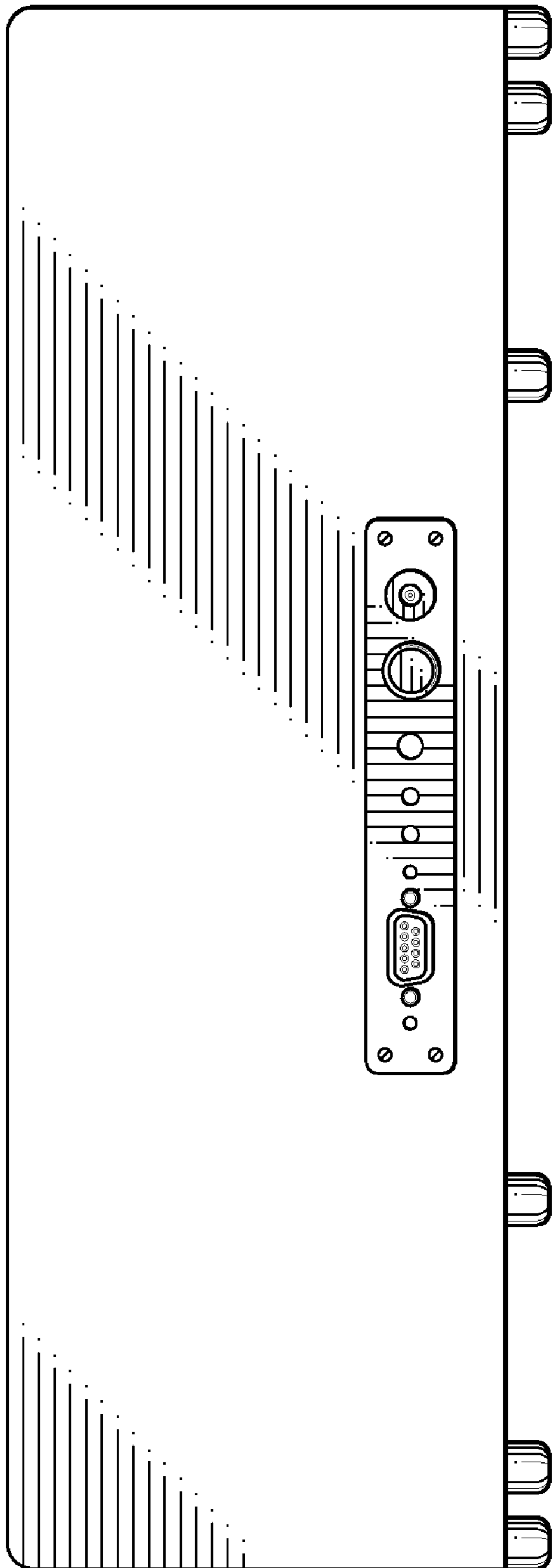


Fig. 3

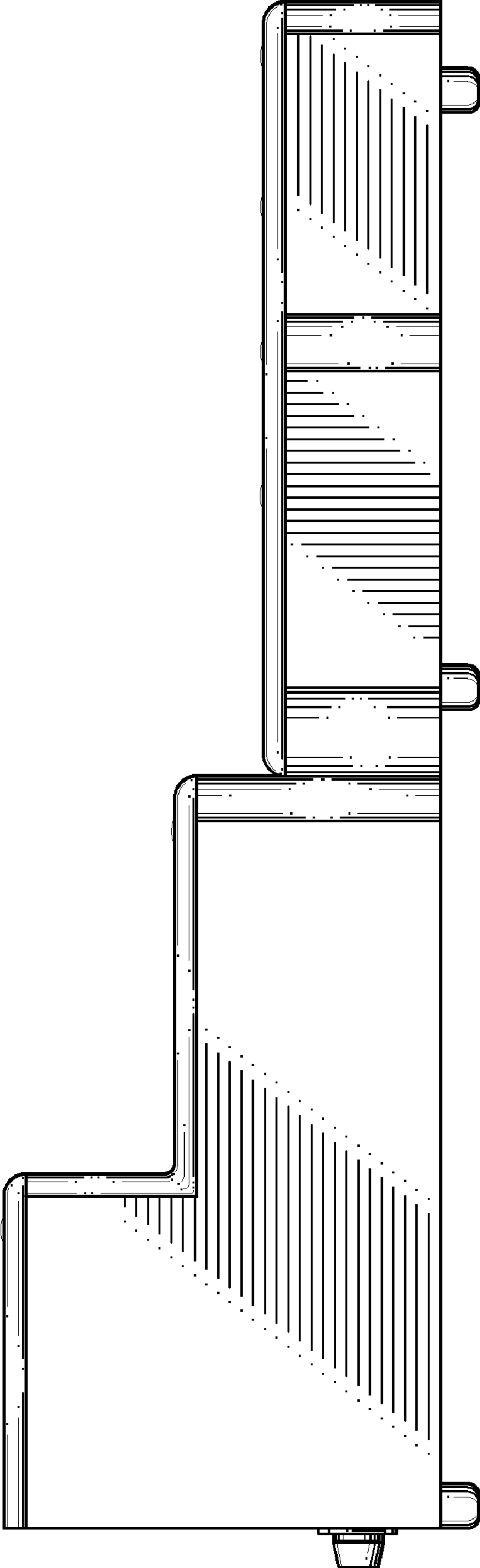


Fig. 4

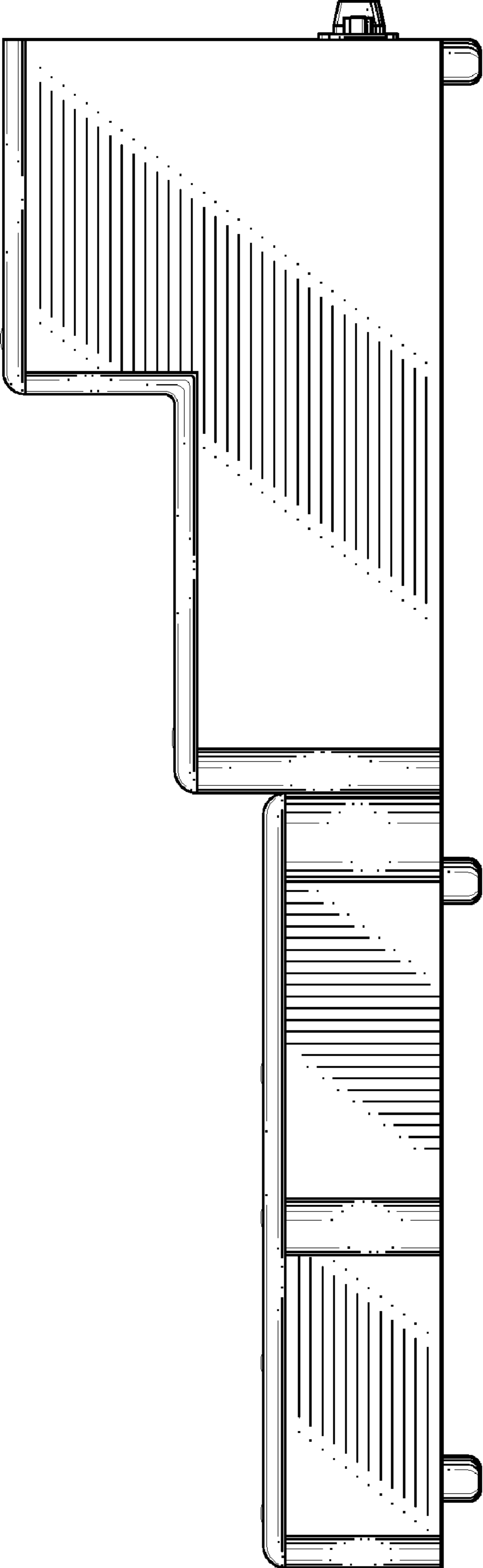


Fig. 5

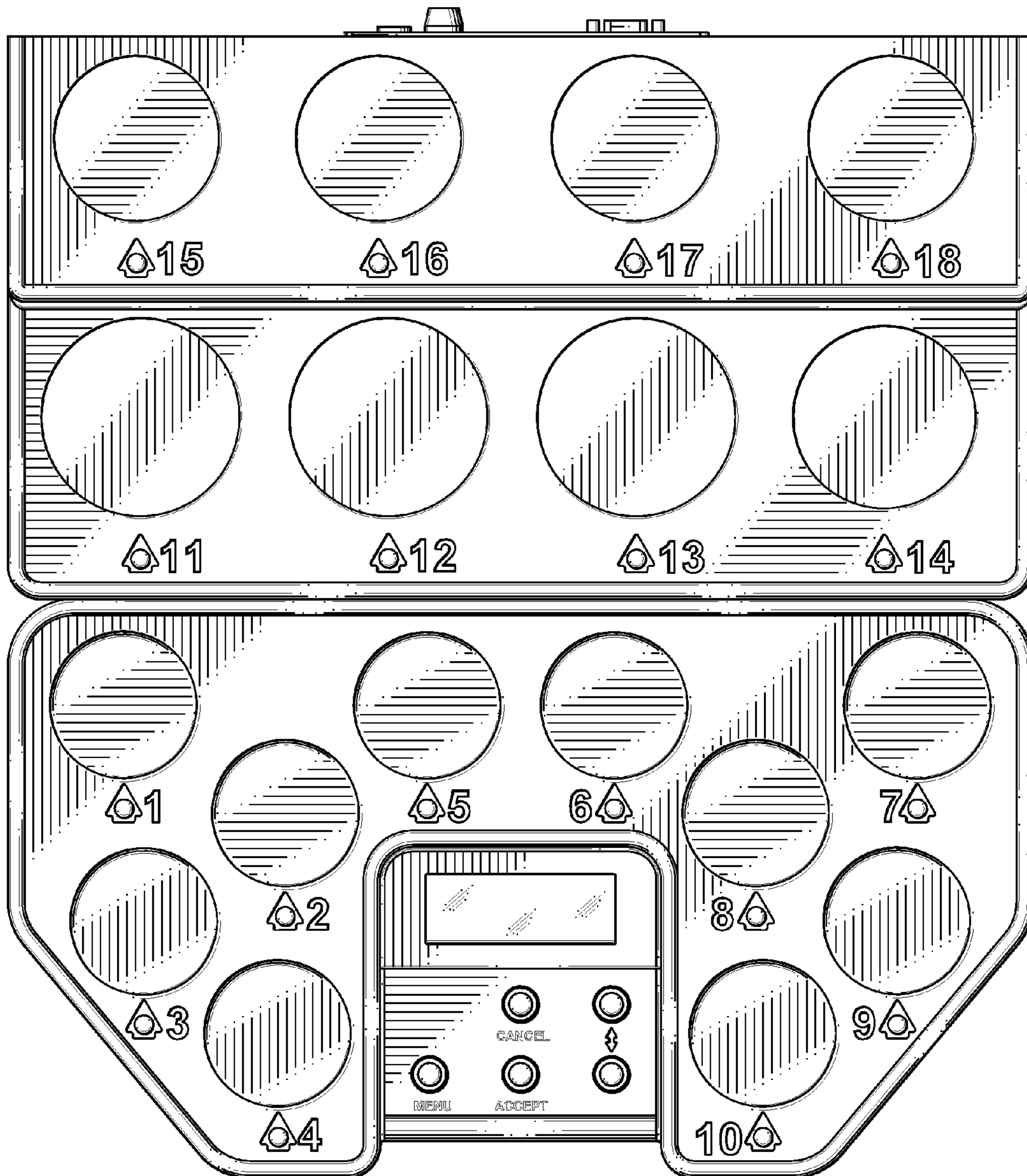


Fig. 6

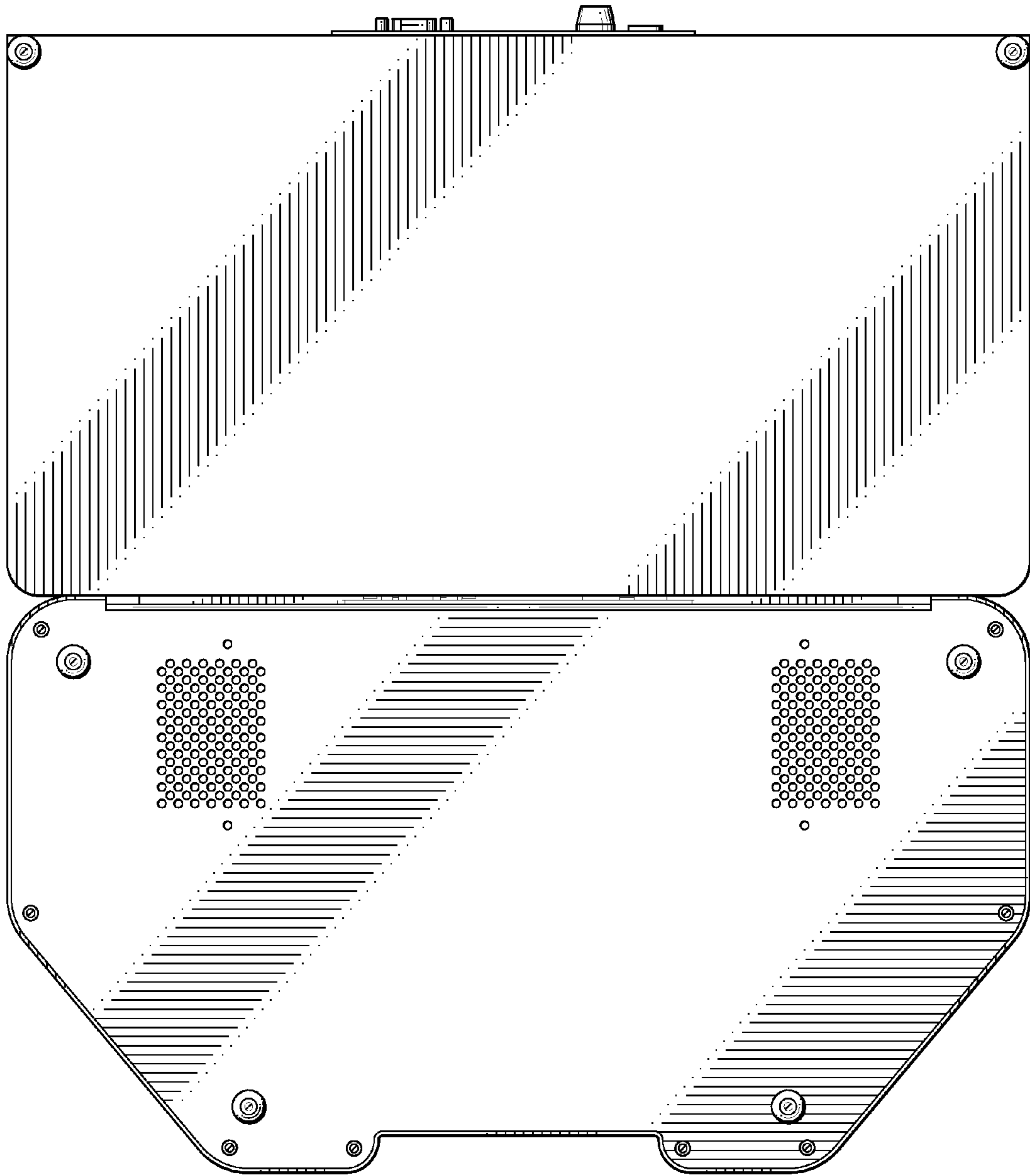


Fig.7

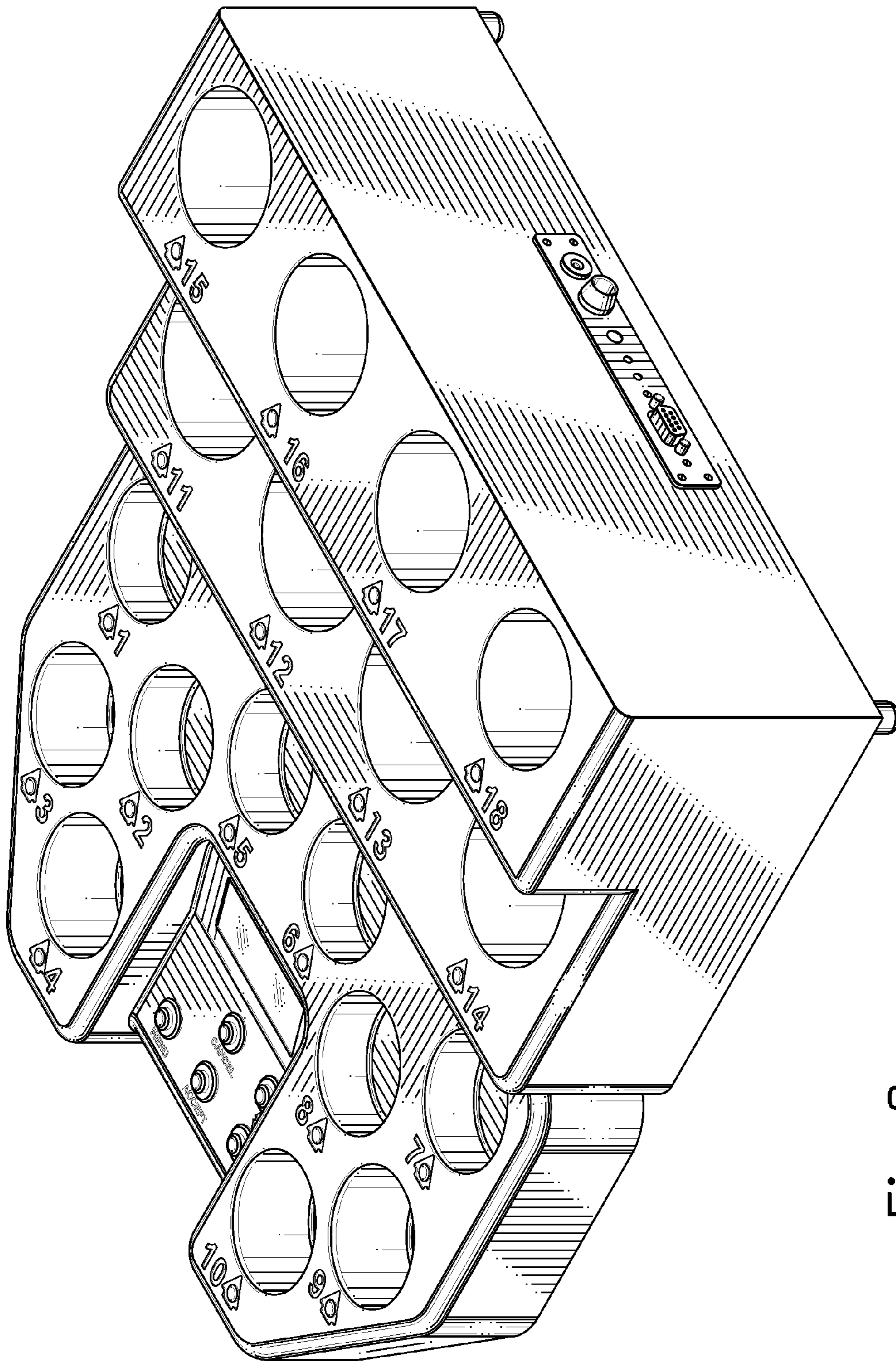


Fig. 8