



US00D626865S

(12) **United States Design Patent**
Margaritelli

(10) **Patent No.:** **US D626,865 S**

(45) **Date of Patent:** **** Nov. 9, 2010**

(54) **WATCH CASE**

(75) Inventor: **Enrico Margaritelli**, Kowloon (HK)

(73) Assignee: **Crown International Properties Establishment**, Mauren (LI)

(**) Term: **14 Years**

(21) Appl. No.: **29/286,878**

(22) Filed: **May 21, 2007**

(51) **LOC (9) Cl.** **10-02**

(52) **U.S. Cl.** **D10/38**

(58) **Field of Classification Search** D10/30-39;
368/276, 281, 282, 285, 308, 319

See application file for complete search history.

(56) **References Cited**

U.S. PATENT DOCUMENTS

D195,421	S	*	6/1963	Hueguenin	D10/39
D317,265	S	*	6/1991	Giolla et al.	D10/39
D339,751	S	*	9/1993	Besson	D10/39
5,508,979	A	*	4/1996	Eisenegger	368/15
D373,538	S	*	9/1996	Riley	D10/30
D380,690	S	*	7/1997	Riley	D10/30
D386,421	S	*	11/1997	Kennedy	D10/30
D397,042	S	*	8/1998	Riley	D10/30
D407,329	S	*	3/1999	Kawashima et al.	D10/30
D413,071	S	*	8/1999	Fichter	D10/39
D414,705	S	*	10/1999	Kennedy	D10/30
D457,817	S	*	5/2002	Brandt	D10/39

D458,853	S	*	6/2002	Finazzi	D10/39
D459,241	S	*	6/2002	Bodino	D10/32
D460,002	S	*	7/2002	Wunderman	D10/32
D473,473	S	*	4/2003	Wunderman	D10/32
D479,691	S	*	9/2003	Goto	D10/30
D536,996	S	*	2/2007	Loth	D10/32

* cited by examiner

Primary Examiner—Lucy Lieberman

(74) *Attorney, Agent, or Firm*—Morgan, Lewis & Bockius LLP

(57) **CLAIM**

The ornamental design for a watch case, as shown and described.

DESCRIPTION

FIG. 1 is a front elevation of a watch case showing my new design;

FIG. 2 is a rear elevation thereof;

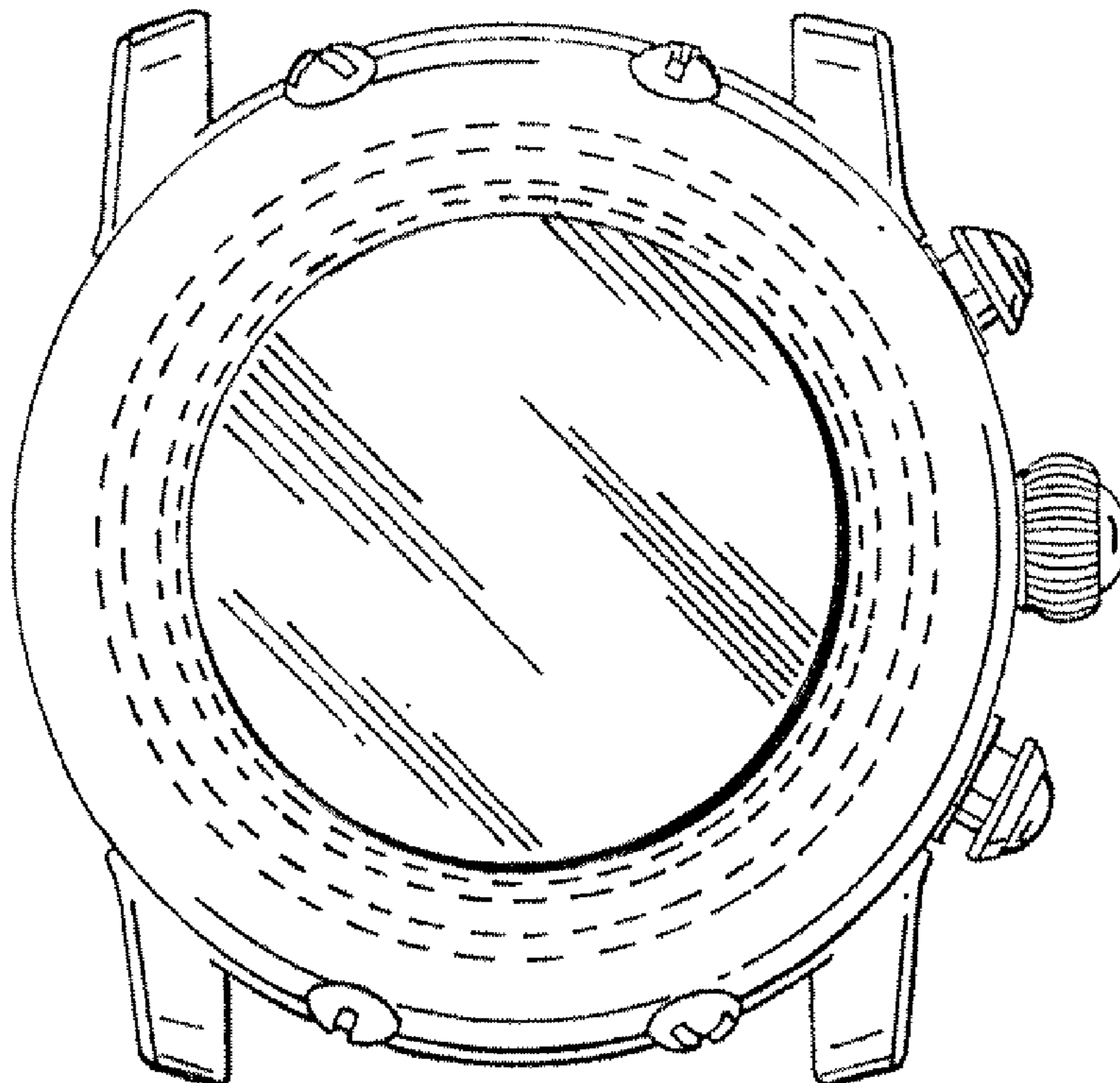
FIG. 3 shows a side view from the right of the watch case of FIG. 1;

FIG. 4 shows a plan view from below the watch case of FIG. 1; and,

FIG. 5 shows a side view from the left of the watch case of FIG. 1.

The broken lines in the drawings are used to show portions of the watch case that do not form part of the claimed design.

1 Claim, 1 Drawing Sheet



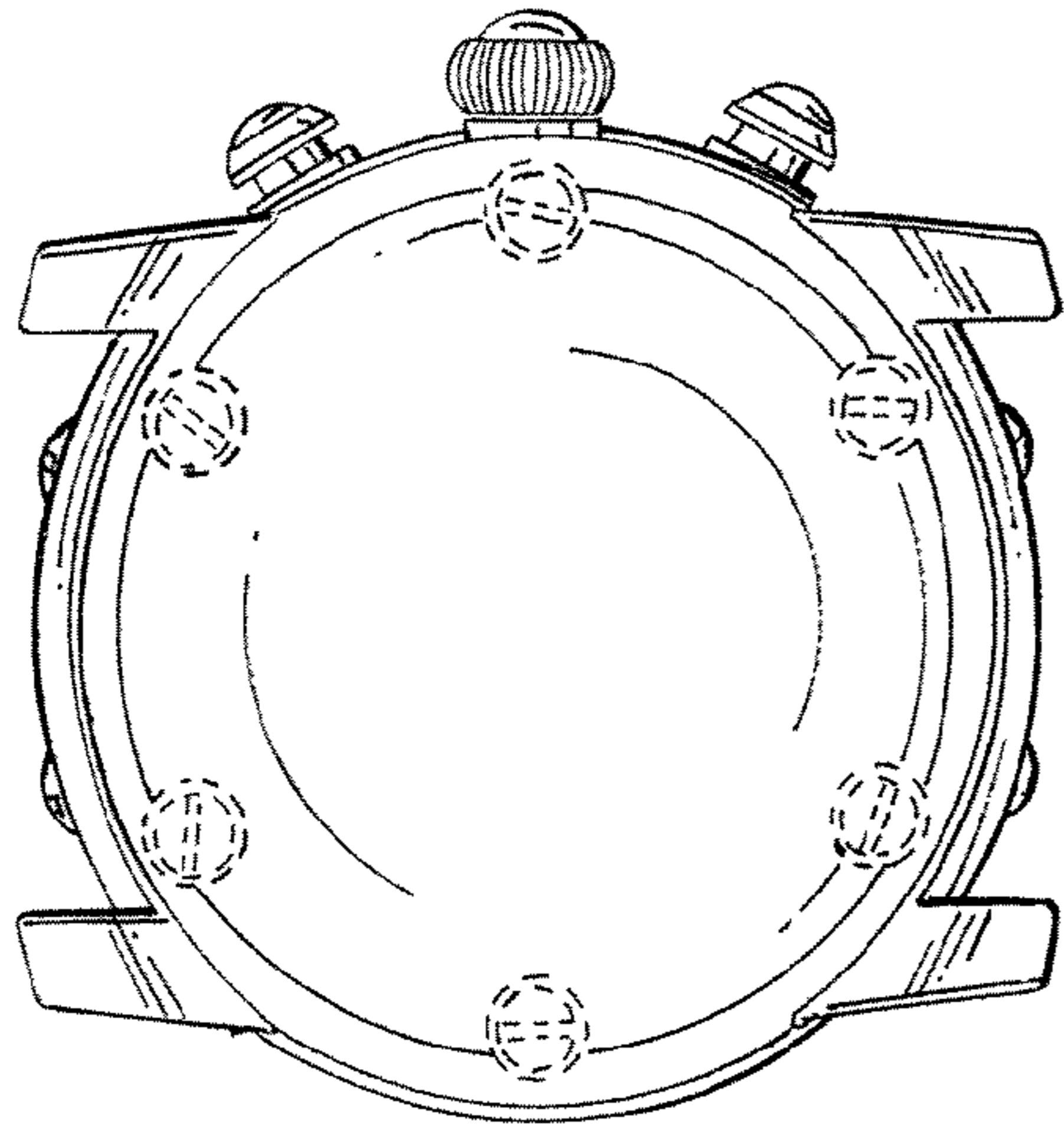


Fig. 1

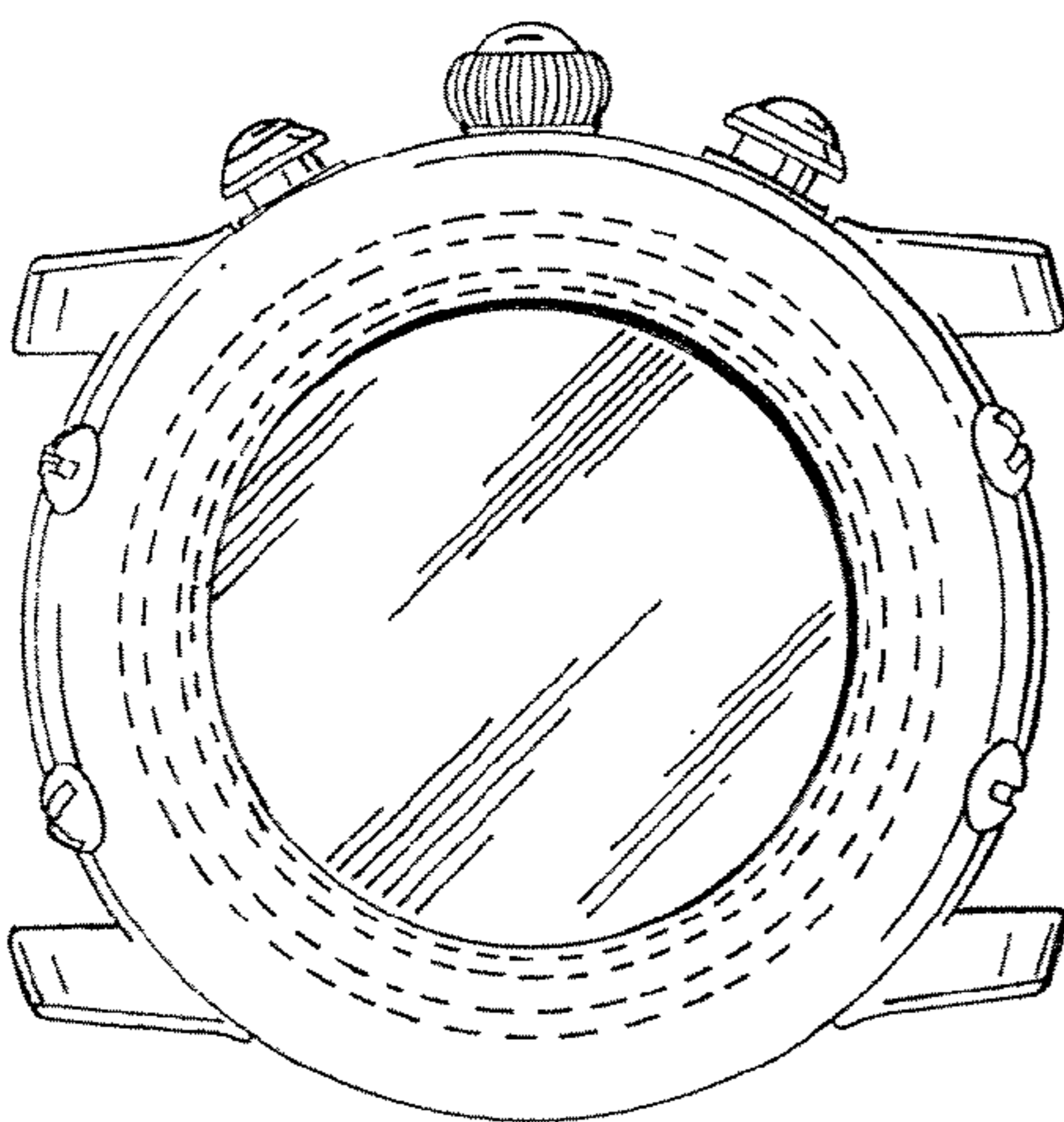


Fig. 2

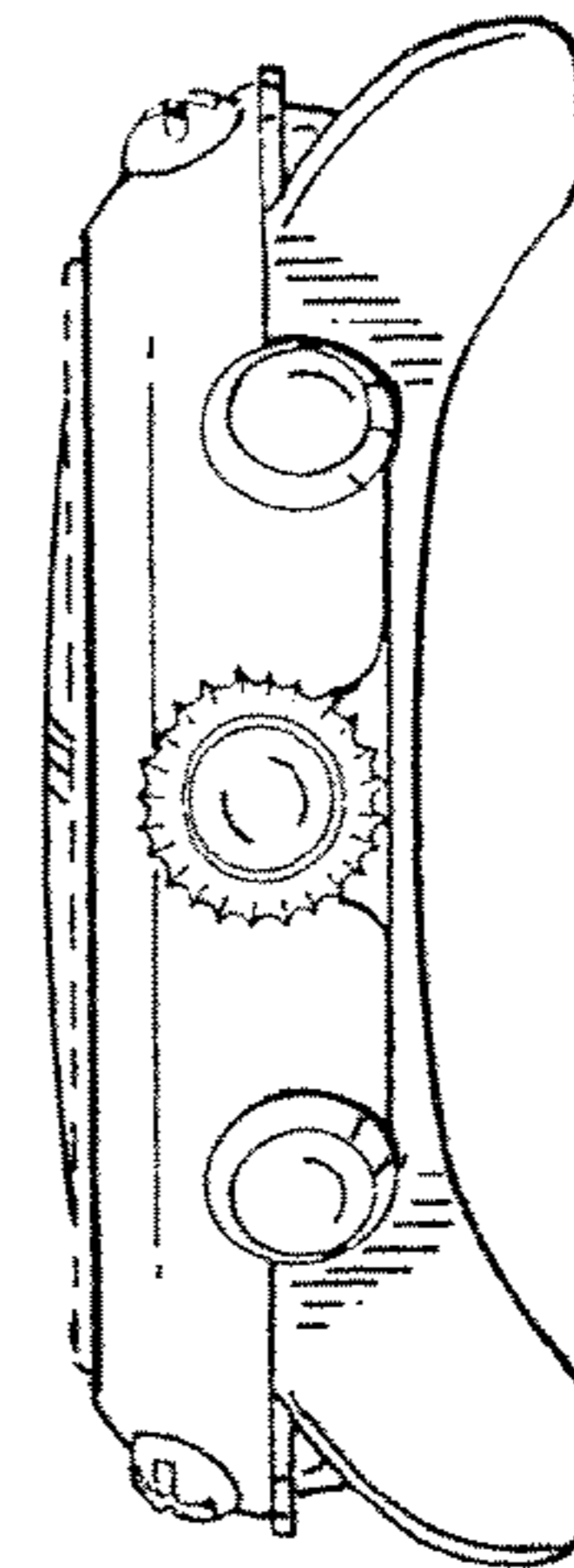


Fig. 3

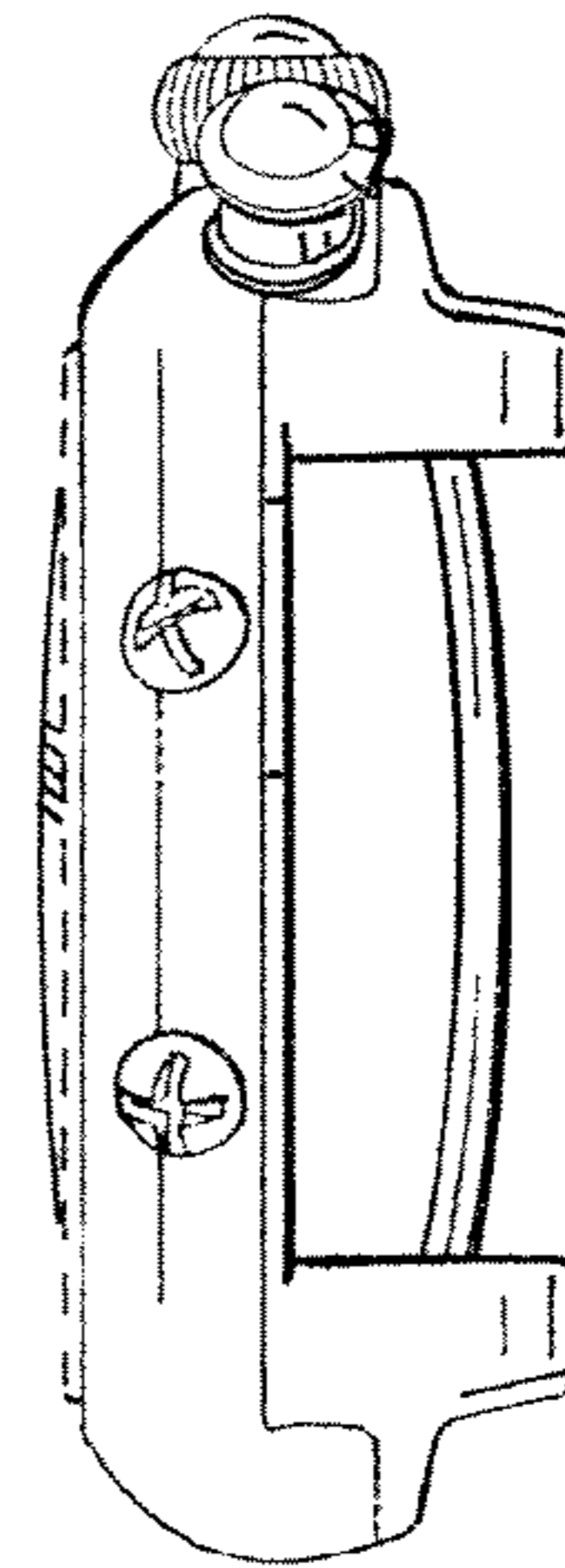


Fig. 4

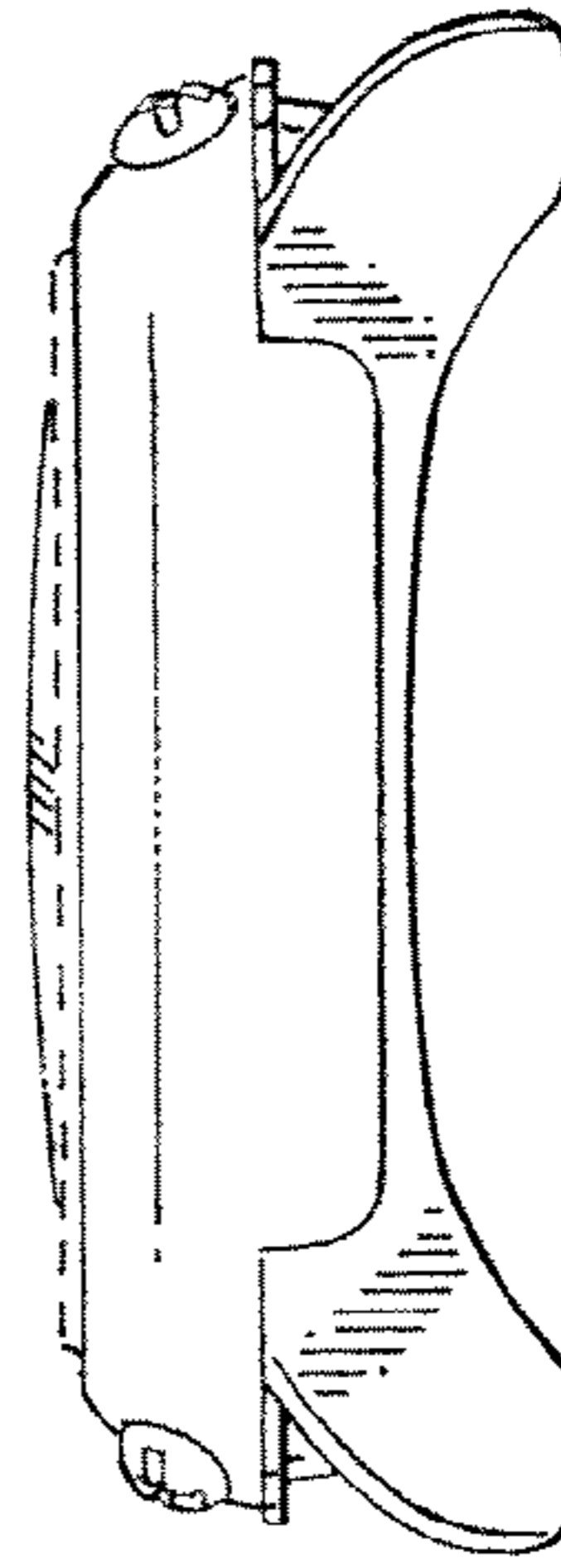


Fig. 5