



US00D626864S

(12) **United States Design Patent**  
**van der Lande**

(10) **Patent No.:** **US D626,864 S**

(45) **Date of Patent:** **\*\* Nov. 9, 2010**

(54) **HYDRO POWER CLOCK**

(75) Inventor: **Jan van der Lande**, New York, NY (US)

(73) Assignee: **Kikkerland Design Inc.**, New York, NY (US)

(\*\*) Term: **14 Years**

(21) Appl. No.: **29/363,251**

(22) Filed: **Jun. 7, 2010**

(51) **LOC (9) Cl.** ..... **10-01**

(52) **U.S. Cl.** ..... **D10/15; D10/25**

(58) **Field of Classification Search** ..... D10/1-29;  
368/316, 317, 276, 28-30, 82-84, 88

See application file for complete search history.

(56) **References Cited**

U.S. PATENT DOCUMENTS

D210,281 S *	2/1968	Specht	.....	D10/97
D236,590 S *	9/1975	Torresdal	.....	D10/15
D246,400 S *	11/1977	Niehaus et al.	.....	D20/20
4,310,908 A *	1/1982	Fuerneisen	.....	368/88
D293,557 S *	1/1988	Bartholoman et al.	.....	D10/97
D310,992 S *	10/1990	Rosenbaum et al.	.....	D13/170
D366,423 S *	1/1996	Hikomori	.....	D10/2
D424,950 S *	5/2000	Martinez	.....	D10/15
D451,816 S *	12/2001	Sato	.....	D10/15
D452,165 S *	12/2001	Sato	.....	D10/15
D452,166 S *	12/2001	Sato	.....	D10/15

D452,656 S *	1/2002	So	.....	D10/15
D476,239 S *	6/2003	Hsu	.....	D10/18
D497,556 S *	10/2004	Hsu	.....	D10/15
D531,523 S *	11/2006	Bhavnani	.....	D10/15
D561,611 S *	2/2008	Chu et al.	.....	D10/15
D615,959 S *	5/2010	Xiao	.....	D14/171

\* cited by examiner

*Primary Examiner*—Lucy Lieberman

(74) *Attorney, Agent, or Firm*—Cascio & Zervas

(57) **CLAIM**

The ornamental design for a hydro power clock, as shown and described.

**DESCRIPTION**

FIG. 1 is a front elevational view thereof;

FIG. 2 is a rear elevational view thereof;

FIG. 3 is a top plan view thereof;

FIG. 4 is a bottom plan view thereof;

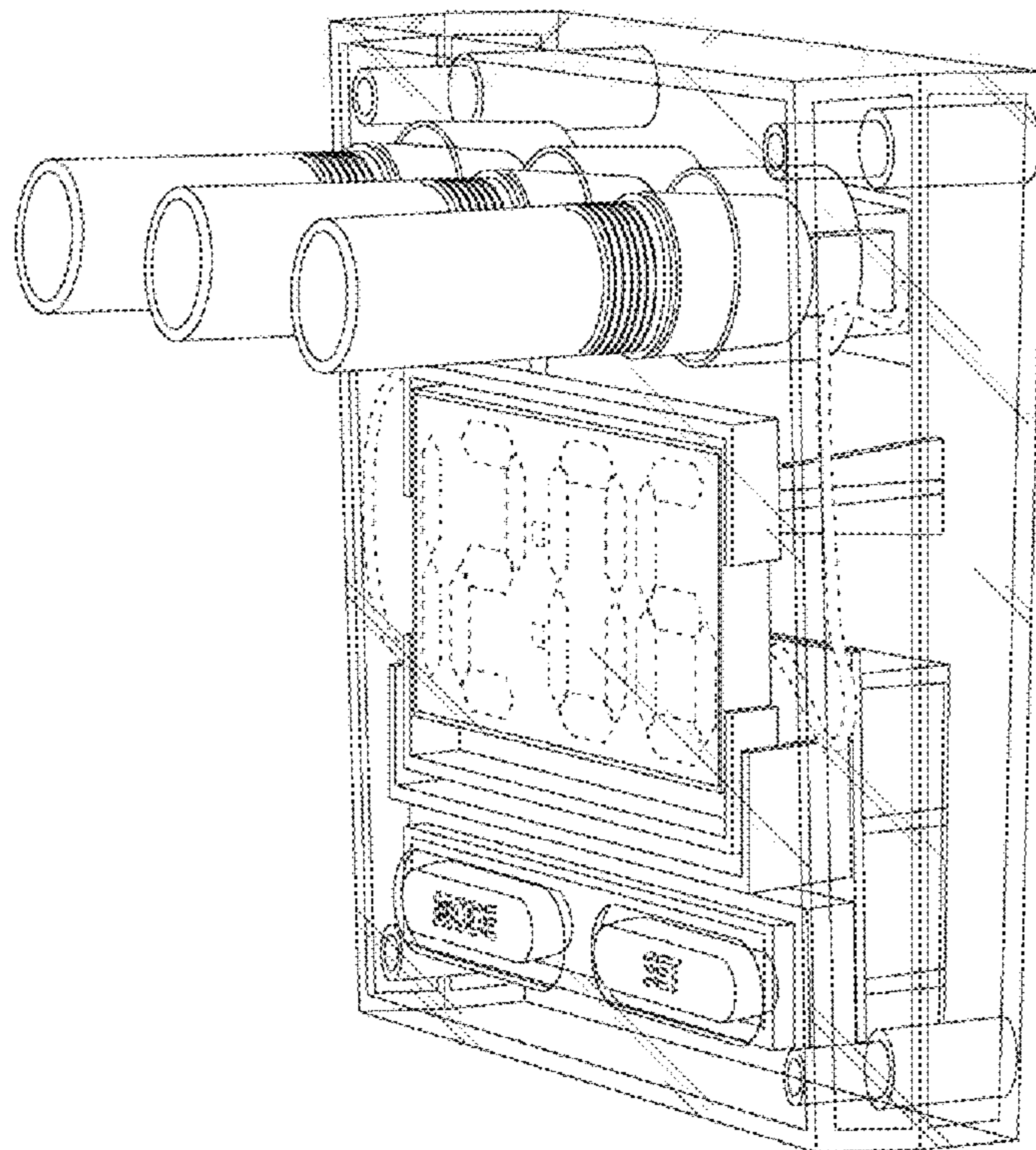
FIG. 5 is a right side elevational view thereof;

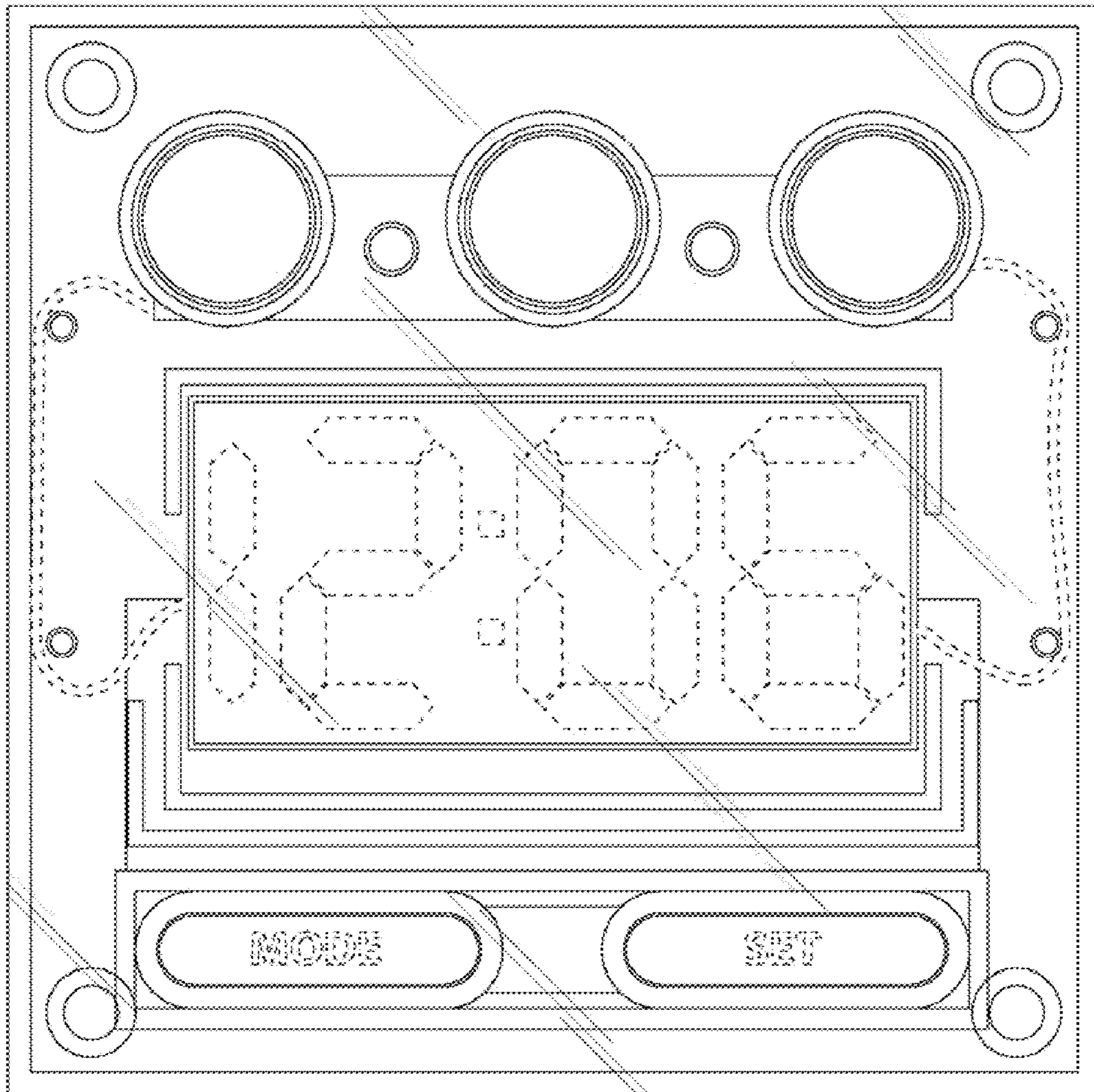
FIG. 6 is a left side elevational view thereof; and,

FIG. 7 is front perspective view thereof.

The phantom lines shown in the Figures are illustrative of environmental structure only and form no part of the claimed design.

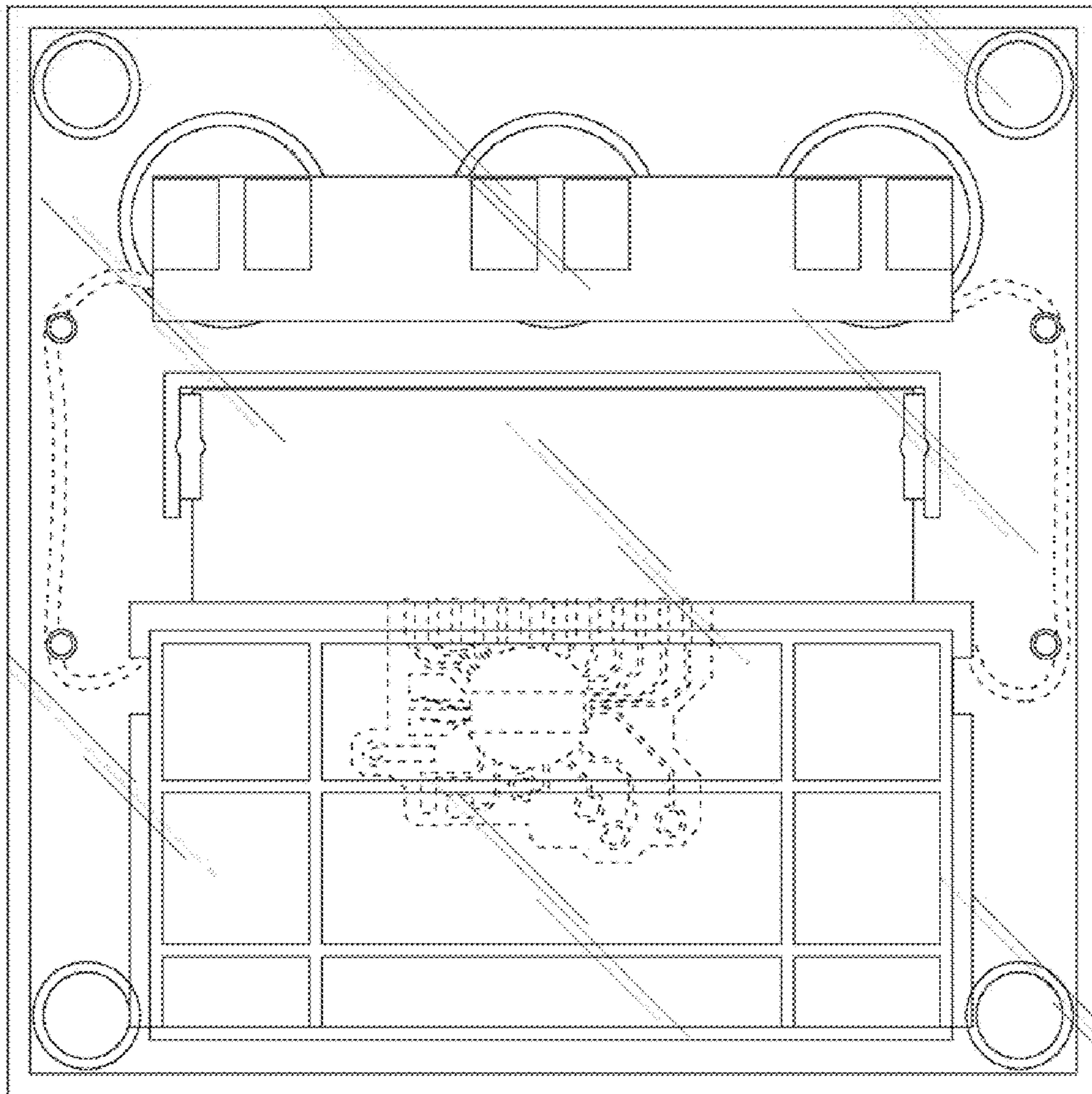
**1 Claim, 5 Drawing Sheets**



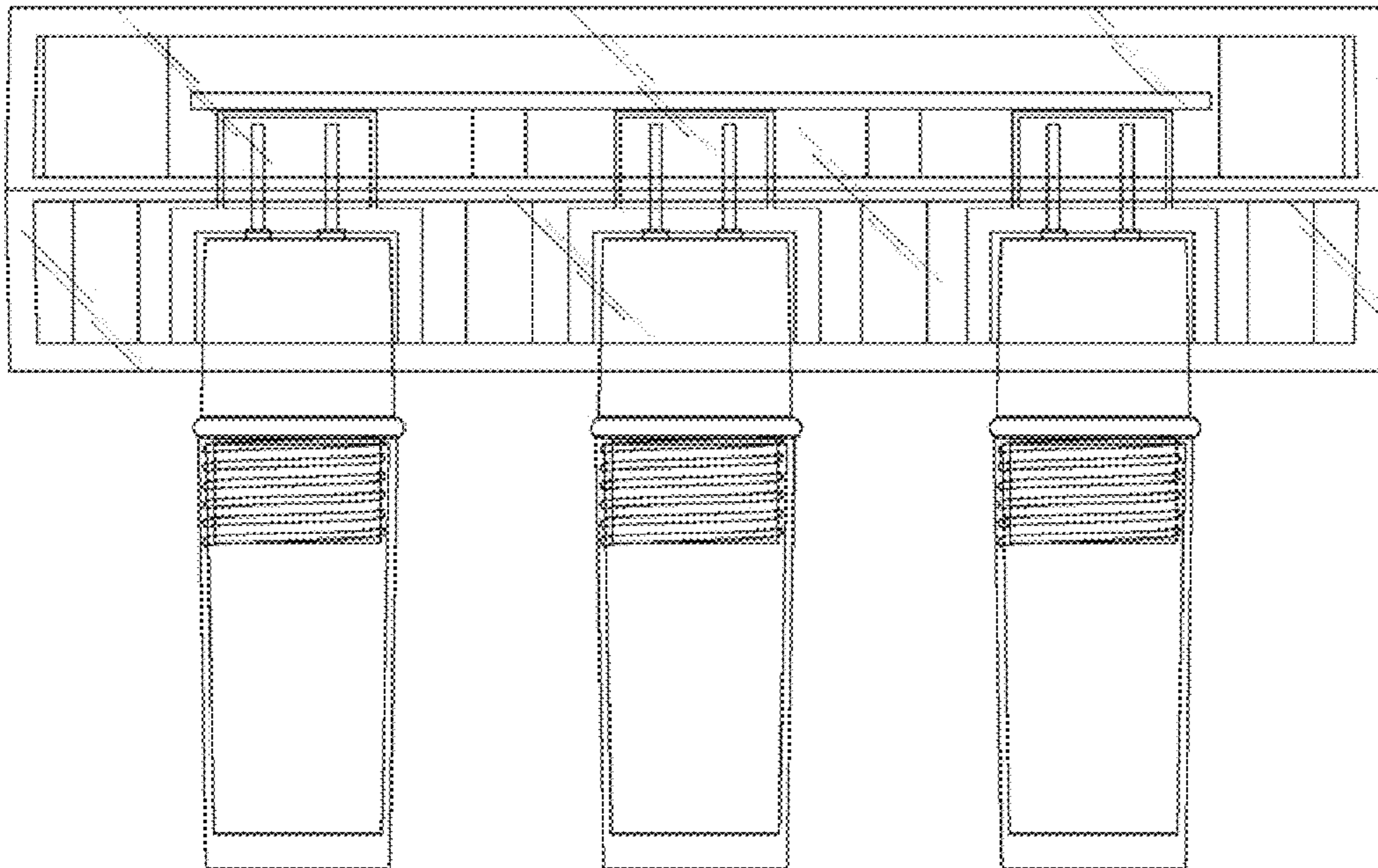


**FIG. 1**

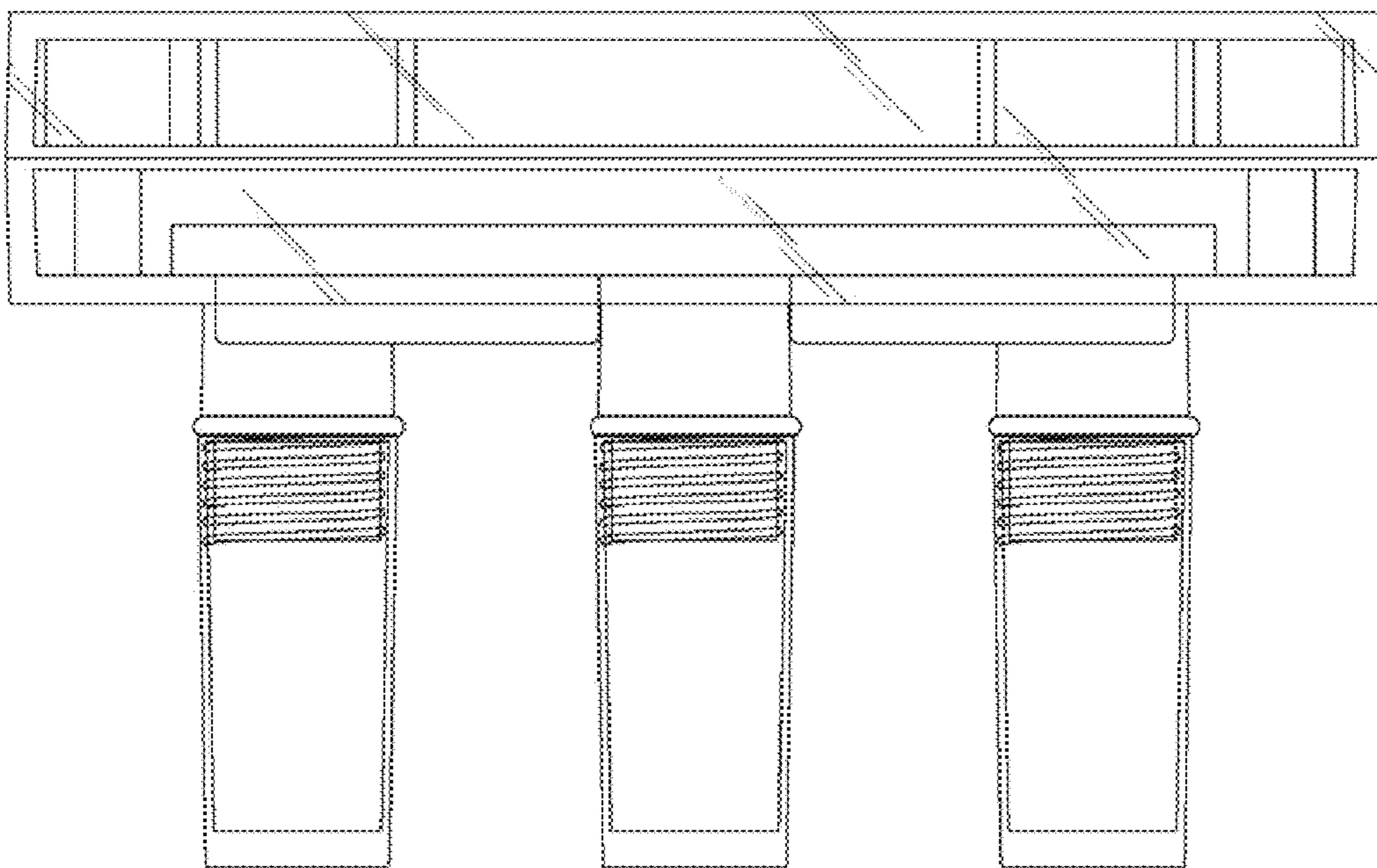




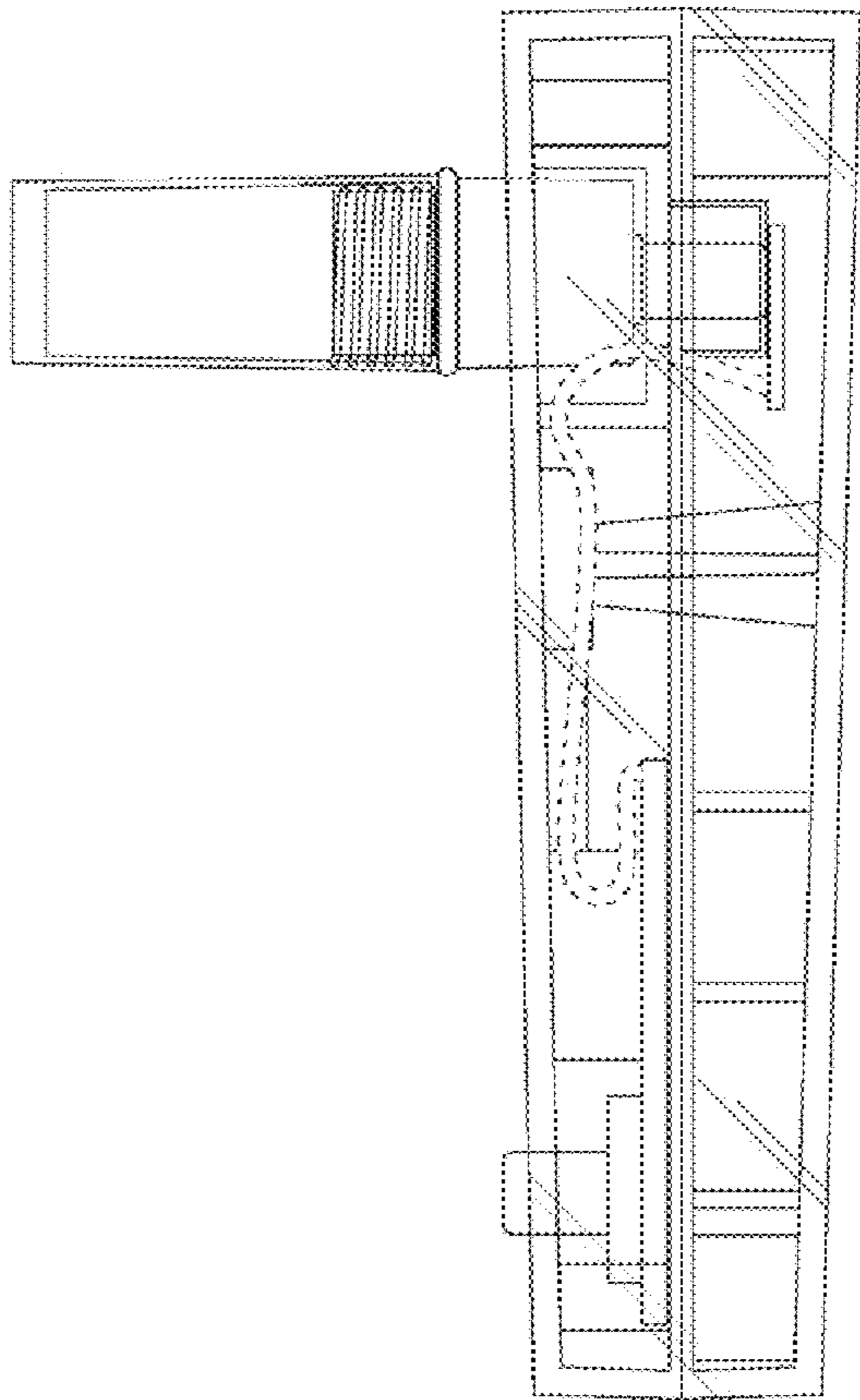
**FIG. 2**



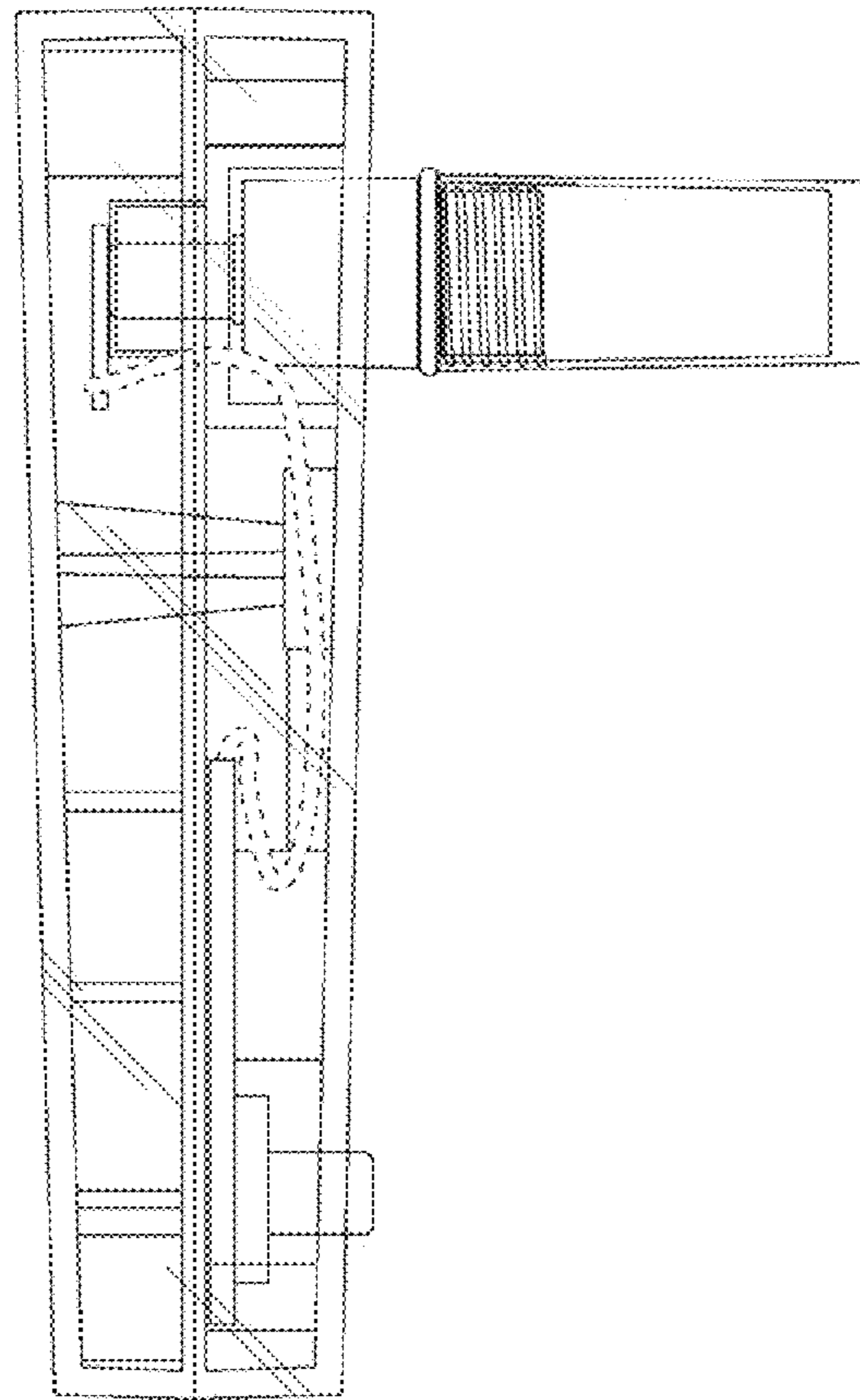
**FIG. 3**



**FIG. 4**

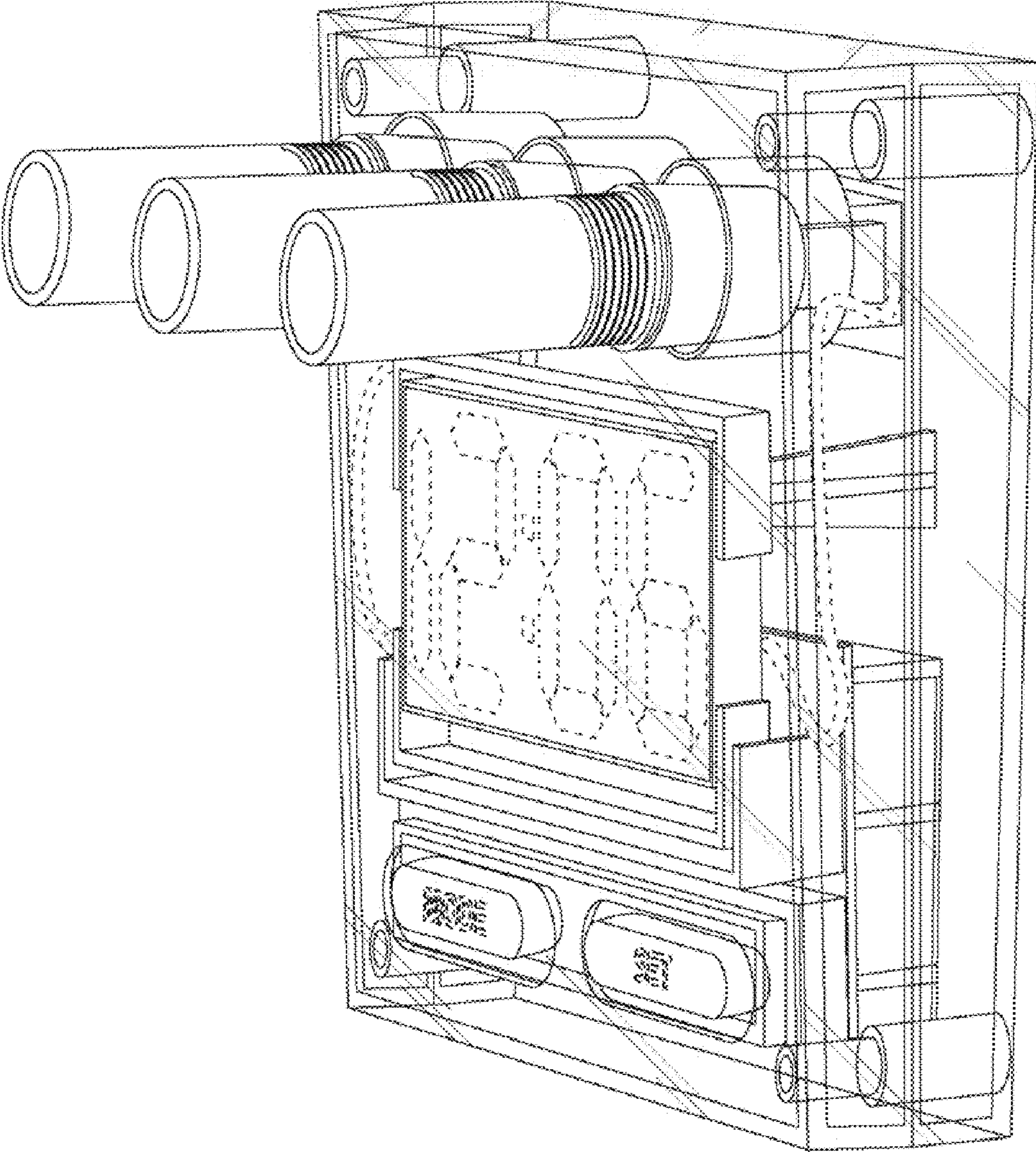


**FIG. 5**



**FIG. 6**





**FIG. 7**