



US00D626863S

(12) **United States Design Patent**
Lovett

(10) **Patent No.:** **US D626,863 S**
(45) **Date of Patent:** **** Nov. 9, 2010**

- (54) **FOOD CONTAINER**
- (75) Inventor: **James Kyle Lovett**, Roswell, GA (US)
- (73) Assignee: **Solo Cup Operating Corporation**, Lake Forest, IL (US)
- (**) Term: **14 Years**
- (21) Appl. No.: **29/350,820**
- (22) Filed: **Nov. 24, 2009**
- (51) **LOC (9) Cl.** **03-03**
- (52) **U.S. Cl.** **D9/761; D9/737; D9/424; D9/425**
- (58) **Field of Classification Search** **D9/737, D9/761, 759, 414-426, 430-432; D7/553.1, D7/553.6, 553.7, 553.8, 629, 602; 206/564, 206/541; 220/4.23, 835, 839, 555, 575, 4.26, 220/4.27, 556, 557, 553; 229/902-904, 906, 229/406, 407, 110**
See application file for complete search history.

- D427,525 S 7/2000 Hayes et al. D9/431
- D427,902 S 7/2000 Hayes et al. D9/425
- 6,572,909 B1 6/2003 Bagwell et al.
- D489,254 S 5/2004 Kocis et al.
- D489,579 S * 5/2004 Wright D7/629
- D524,646 S * 7/2006 Hellenbrand et al. D9/756
- D536,992 S 2/2007 Garg et al.
- D541,589 S 5/2007 Littlejohn D7/549
- D551,508 S 9/2007 Friedland et al. D7/545
- D551,546 S * 9/2007 Ramirez et al. D9/761
- D552,487 S 10/2007 Chou
- D554,531 S * 11/2007 Lovett D9/737
- D571,655 S 6/2008 Lovett
- D577,995 S 10/2008 Lovett
- D578,877 S 10/2008 Lovett
- 2004/0026430 A1 * 2/2004 Baker et al. 220/575

* cited by examiner

Primary Examiner—Mark A Goodwin
(74) *Attorney, Agent, or Firm*—Banner & Witcoff, Ltd.

(57) **CLAIM**

The ornamental design for a food container, as shown and described.

DESCRIPTION

FIG. 1 is a perspective view of a food container showing my new design;
FIG. 2 is a partially opened view thereof;
FIG. 3 is a top view thereof;
FIG. 4 is a bottom view thereof;
FIG. 5 is a front view thereof;
FIG. 6 is a rear view thereof; and,
FIG. 7 is left side view a thereof.

1 Claim, 3 Drawing Sheets

(56) **References Cited**

U.S. PATENT DOCUMENTS

- D204,962 S 5/1966 Kossnar D9/429
- D269,854 S * 7/1983 Commisso D9/761
- D373,931 S 9/1996 Whitehead
- D375,259 S 11/1996 Whitehead
- D378,180 S 2/1997 Hayes et al. D7/554.1
- D385,185 S 10/1997 Rench et al. D9/430
- D395,599 S 6/1998 Wyslowsky D9/425
- 5,762,231 A 6/1998 Rider et al. 220/526
- D398,847 S 9/1998 Wyslowsky et al. D9/425
- D398,848 S 9/1998 Wyslowsky et al. D9/425
- 5,979,687 A 11/1999 Hayes et al. 220/4.23
- 5,984,130 A 11/1999 Hayes et al. 220/574

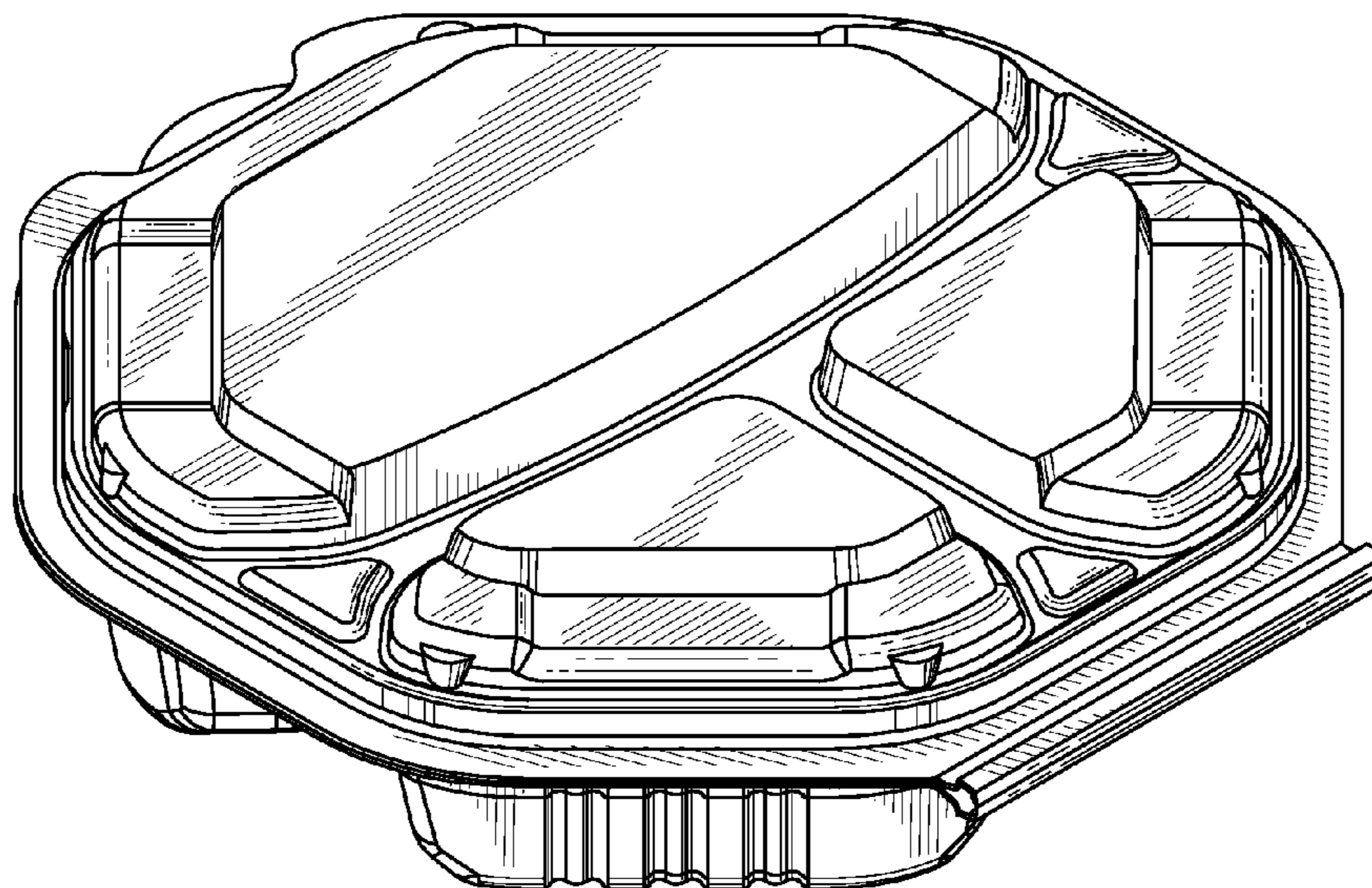


Fig. 1

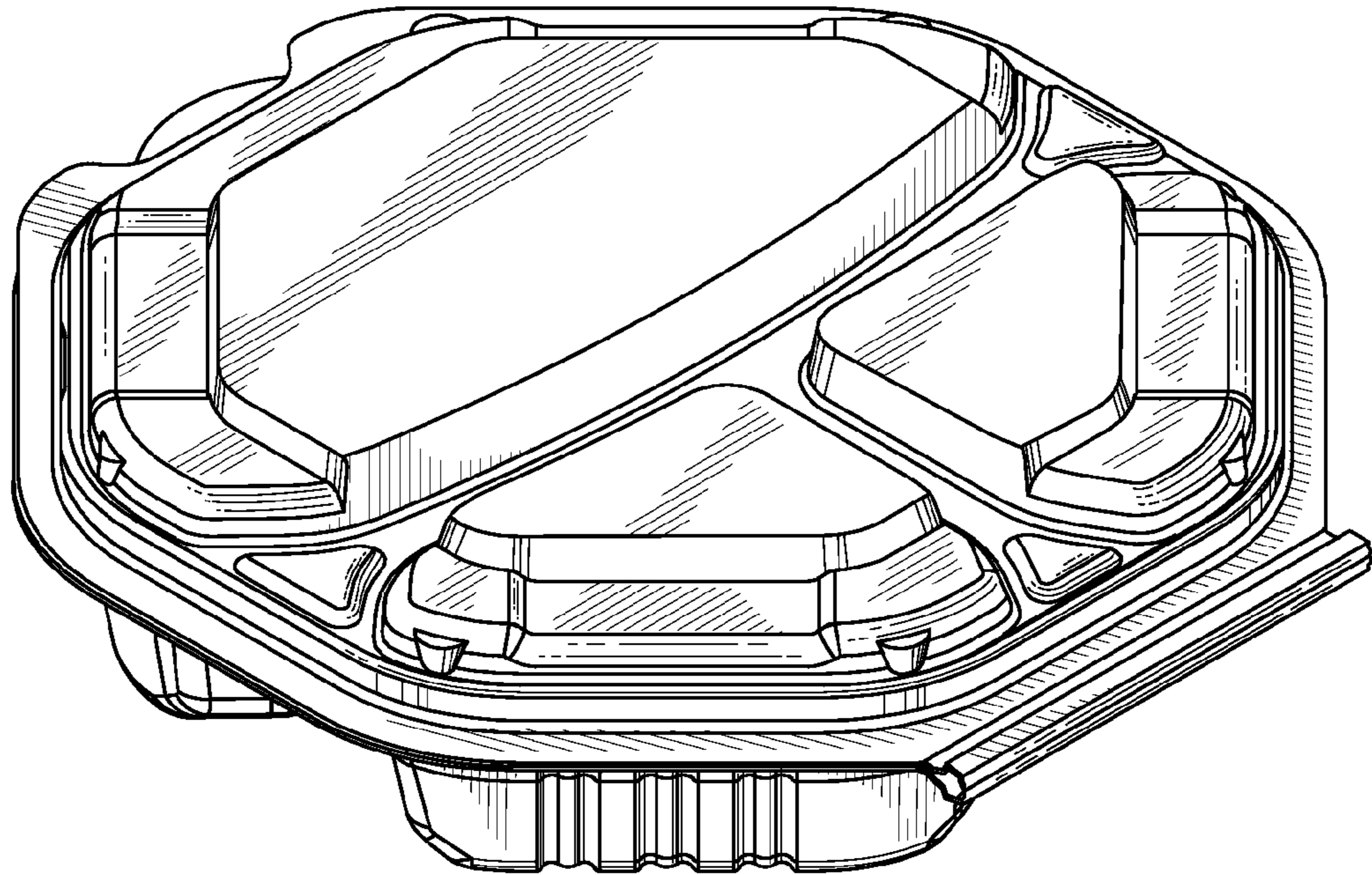


Fig. 2

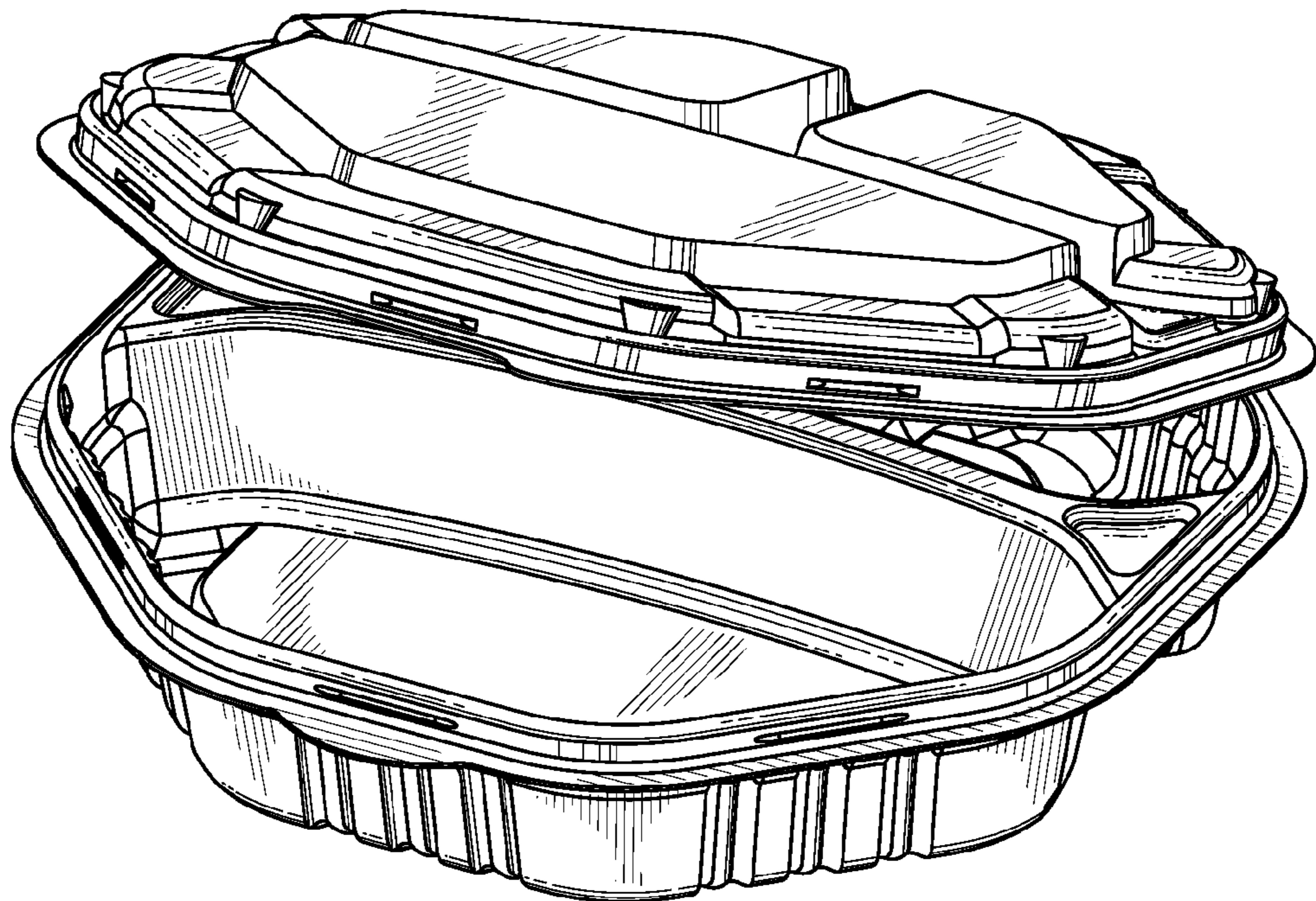


Fig. 4

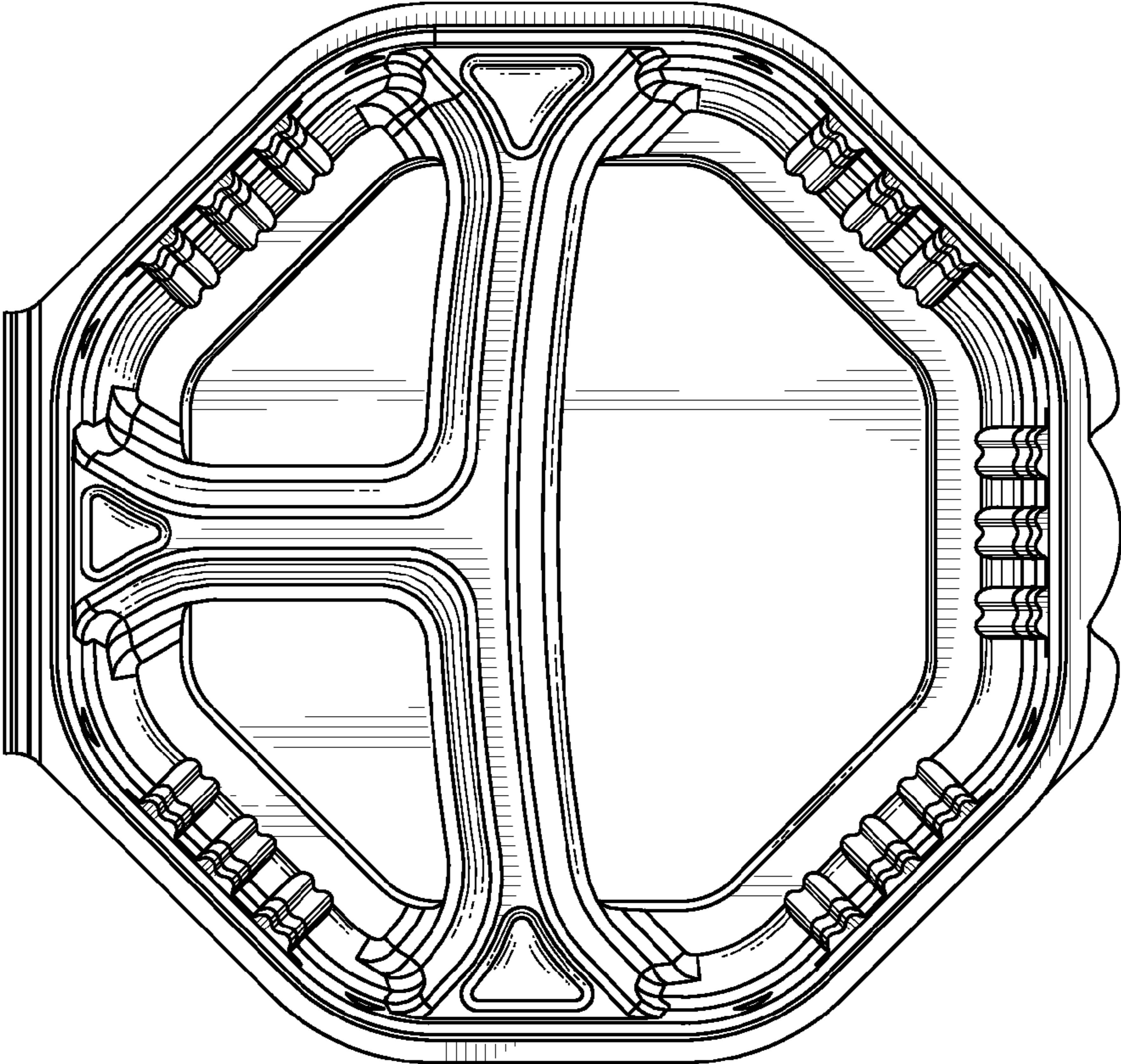


Fig. 3

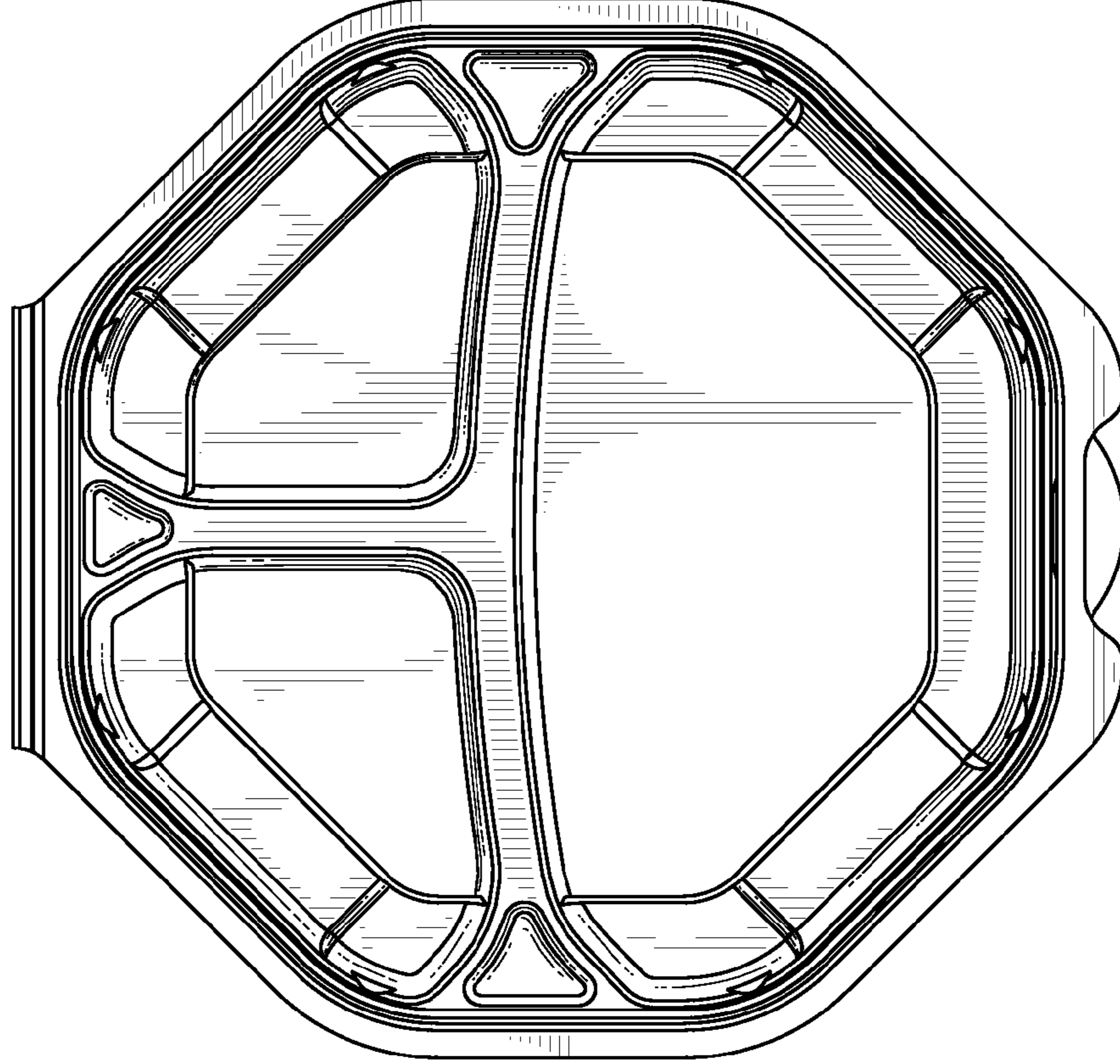


Fig. 5



Fig. 6

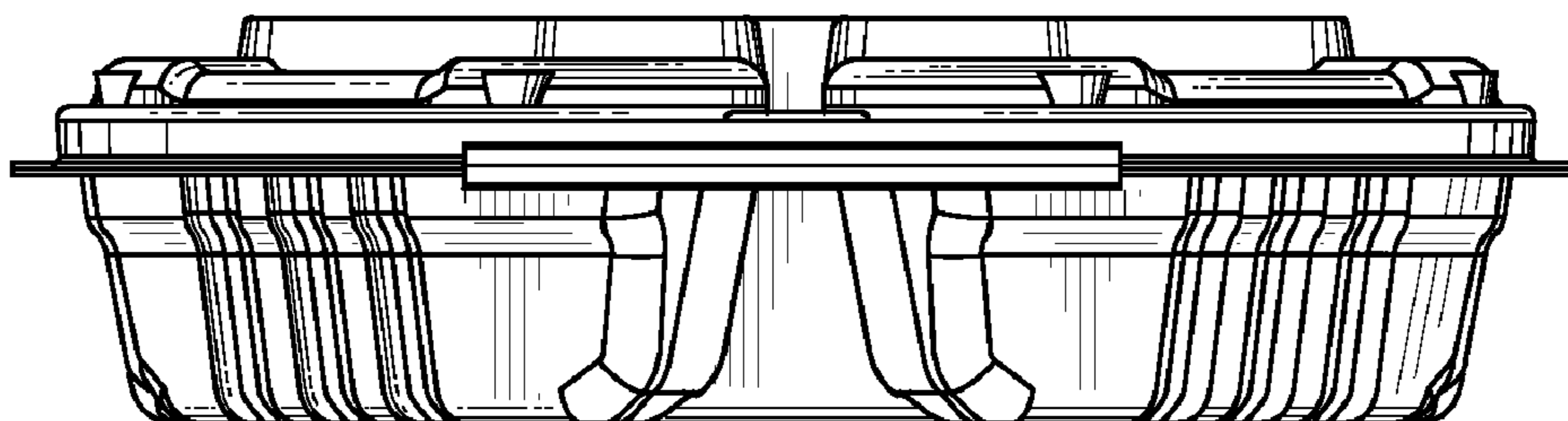


Fig. 7

