

US00D626862S

(12) **United States Design Patent**
Augustenborg

(10) **Patent No.:** **US D626,862 S**

(45) **Date of Patent:** **** Nov. 9, 2010**

(54) **KITCHEN WRAP HOLDER**

(76) Inventor: **Jorgen Augustenborg**, Kohavevej 14,
DK-2950 Vedbaek (DK)

(**) Term: **14 Years**

(21) Appl. No.: **29/316,360**

(22) Filed: **Sep. 17, 2009**

(51) **LOC (9) Cl.** **09-01**

(52) **U.S. Cl.** **D9/735**

(58) **Field of Classification Search** D9/417,
D9/419, 427, 428, 429, 730, 734, 725; 221/9-14,
221/30, 33-41, 45, 47-49; 229/110, 129.1,
229/207, 925; 206/449; D6/512, 515, 518,
D6/524; D19/75, 76, 78, 86, 89, 91; D3/201,
D3/302

See application file for complete search history.

(56) **References Cited**

U.S. PATENT DOCUMENTS

- D276,590 S * 12/1984 Lobel D9/730
- D283,789 S * 5/1986 Kodousek et al. D9/419
- D595,075 S * 6/2009 Ramos Peon D6/518
- D604,541 S * 11/2009 Bone et al. D6/518

D606,858 S * 12/2009 Kesselman D9/432

* cited by examiner

Primary Examiner—Daniel D Bui

Assistant Examiner—Thomas J Johannes

(74) *Attorney, Agent, or Firm*—Day Pitney LLP

(57) **CLAIM**

The ornamental design for a kitchen wrap holder, as shown and described.

DESCRIPTION

FIG. 1 is a top front perspective view of my design for a kitchen wrap holder;

FIG. 2 is a top rear perspective view thereof;

FIG. 3 is a bottom perspective view thereof;

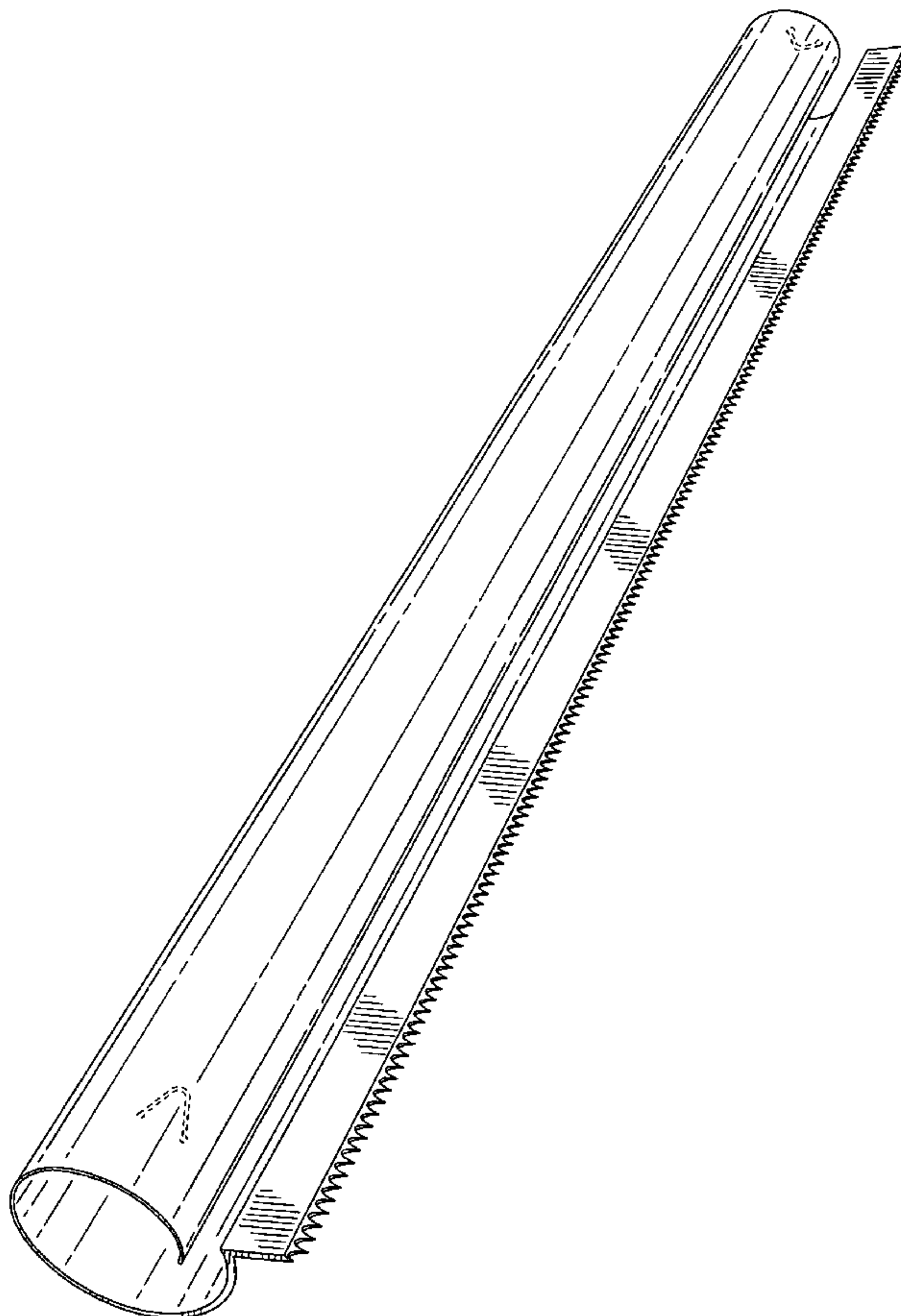
FIG. 4 is a front view thereof;

FIG. 5 is a bottom view thereof; and,

FIG. 6 is an enlarged side view thereof, the opposite side being a mirror image thereto.

The broken line portion of FIG. 1 is included to show unclaimed subject matter only and forms no part of the claimed design.

1 Claim, 6 Drawing Sheets



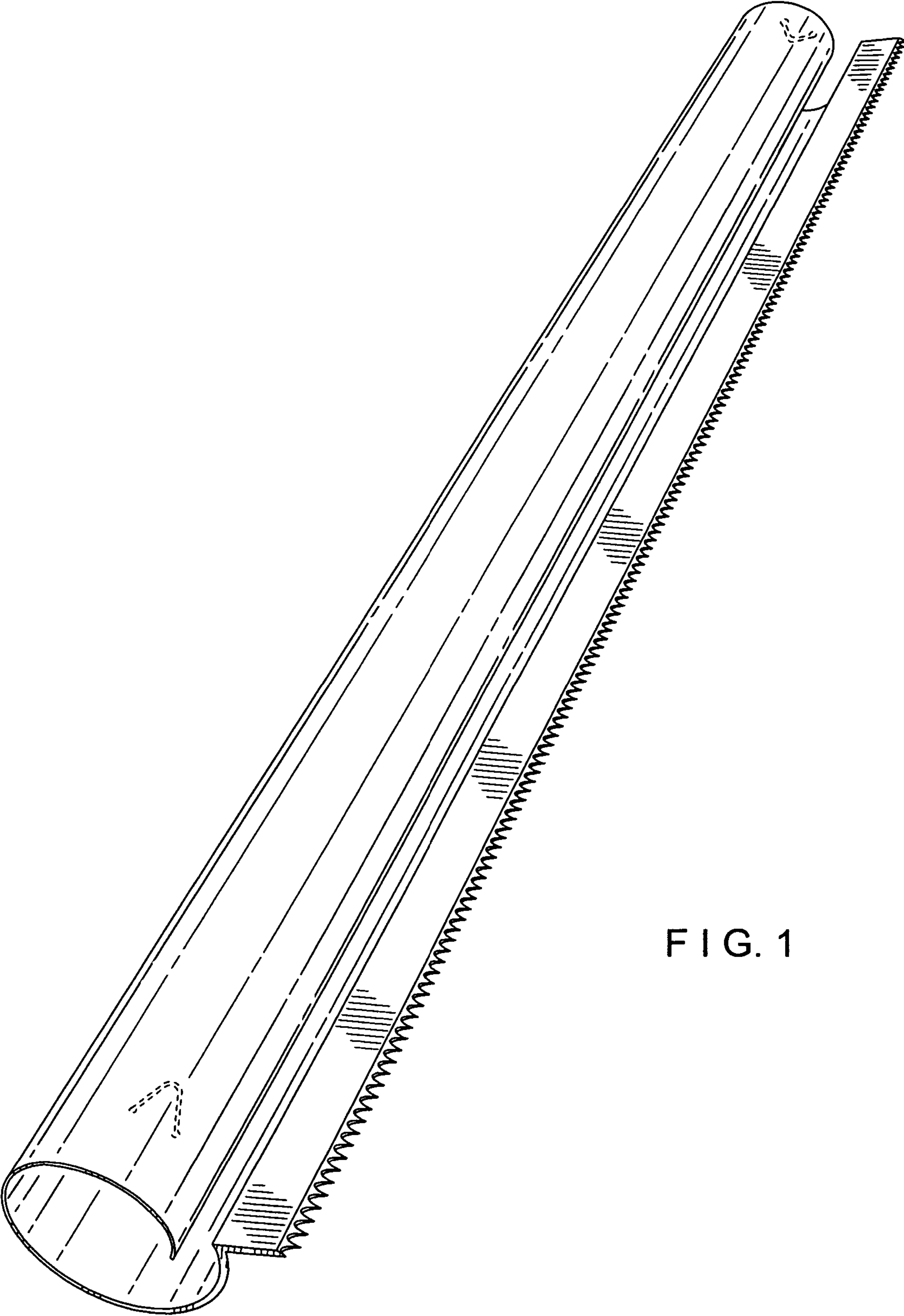


FIG. 1

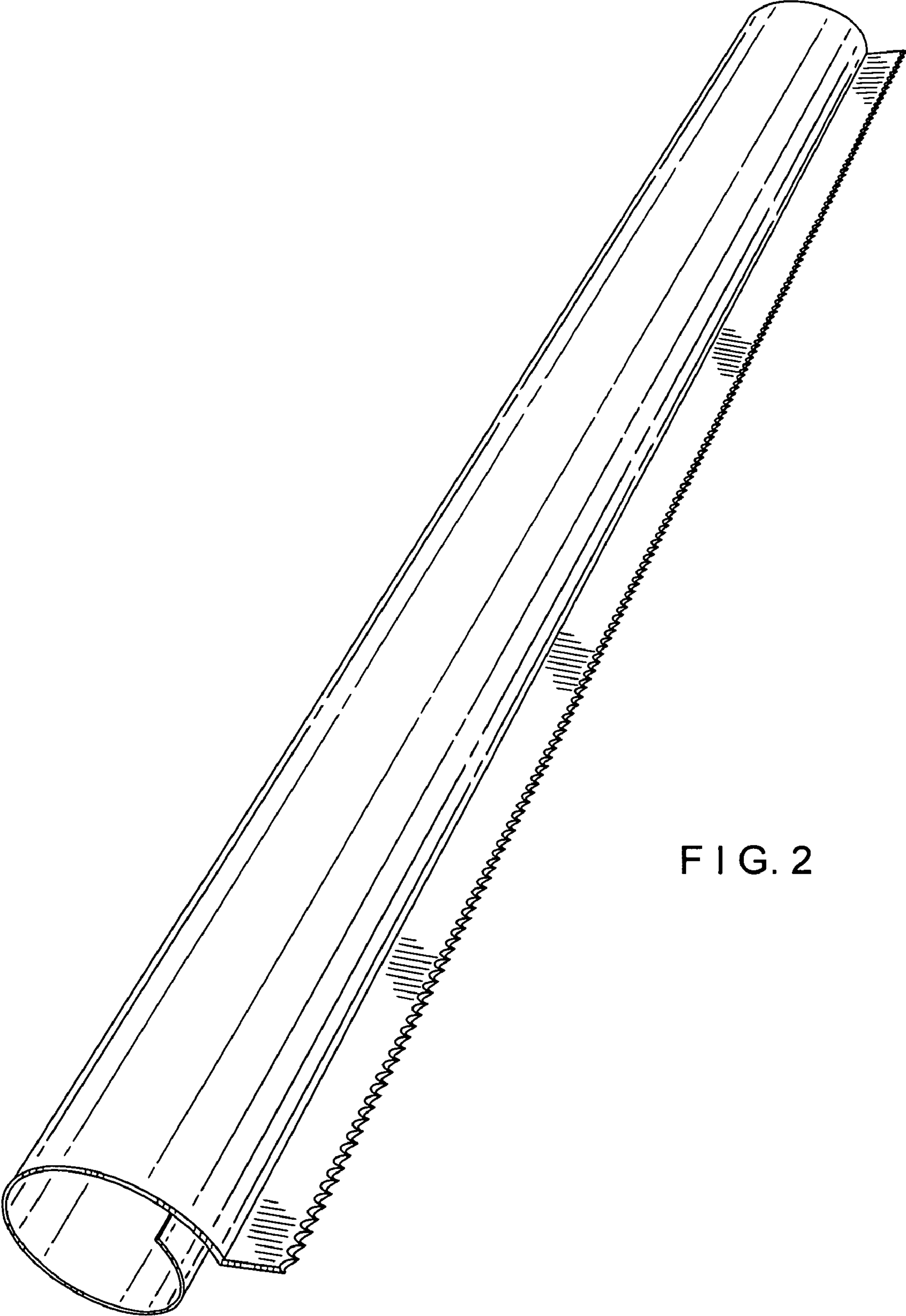


FIG. 2

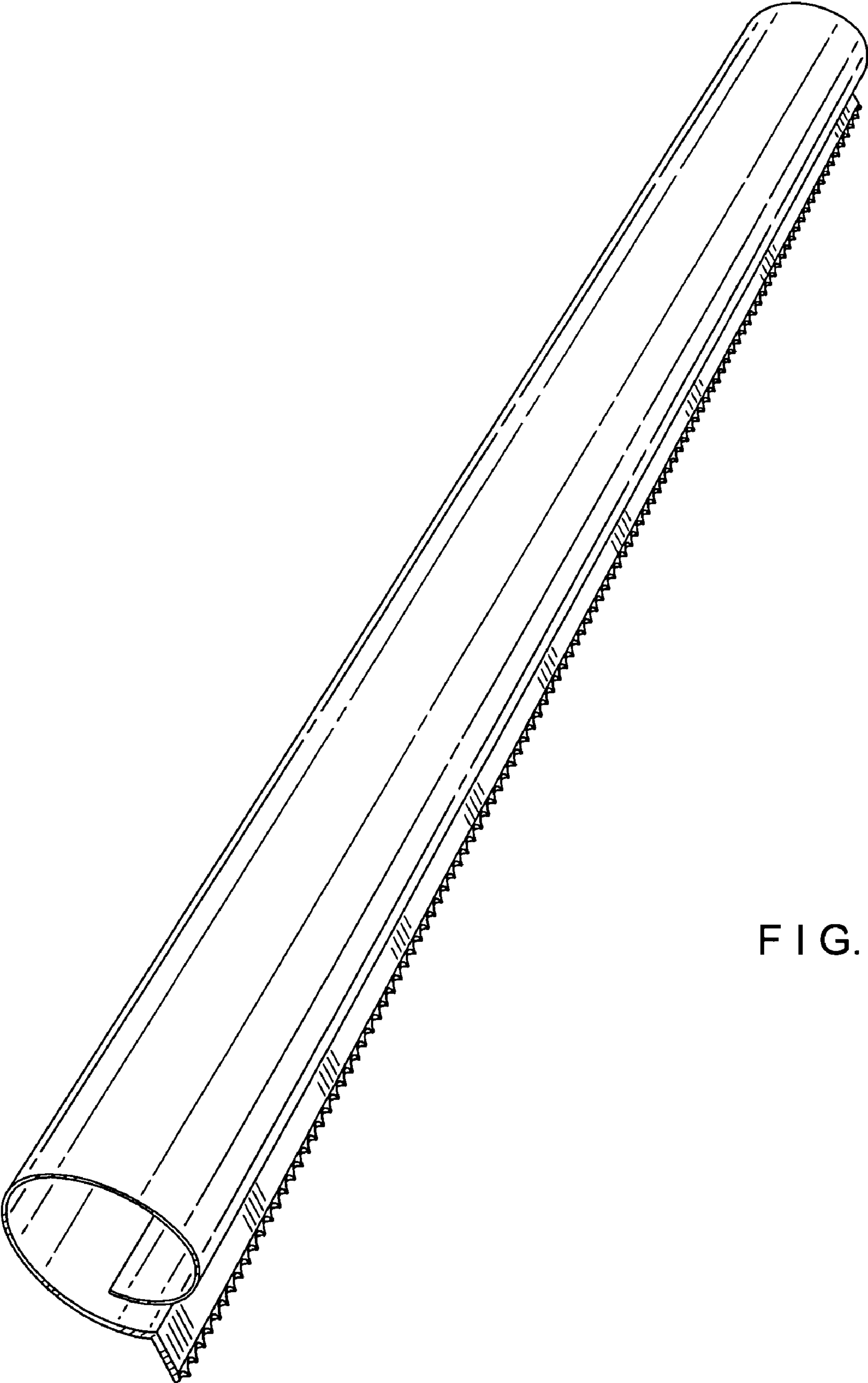


FIG. 3

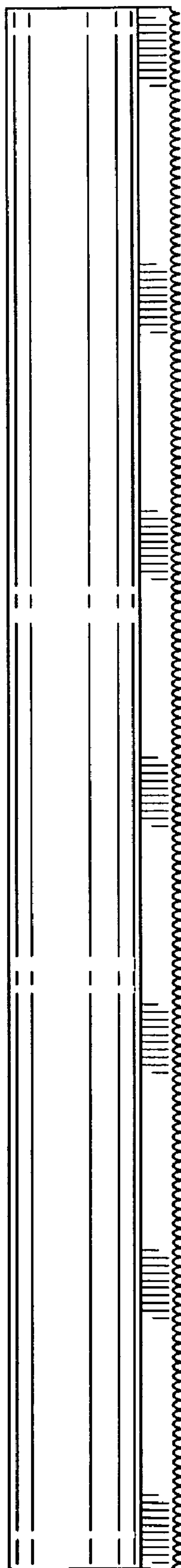


FIG. 4

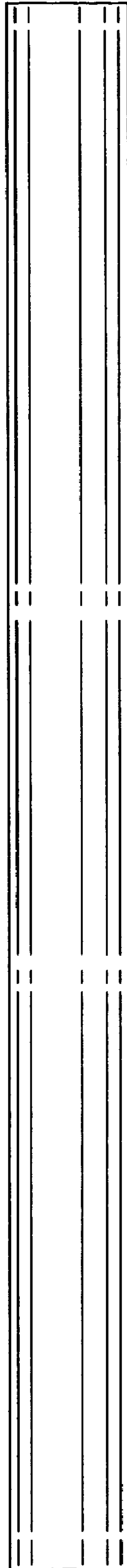


FIG. 5

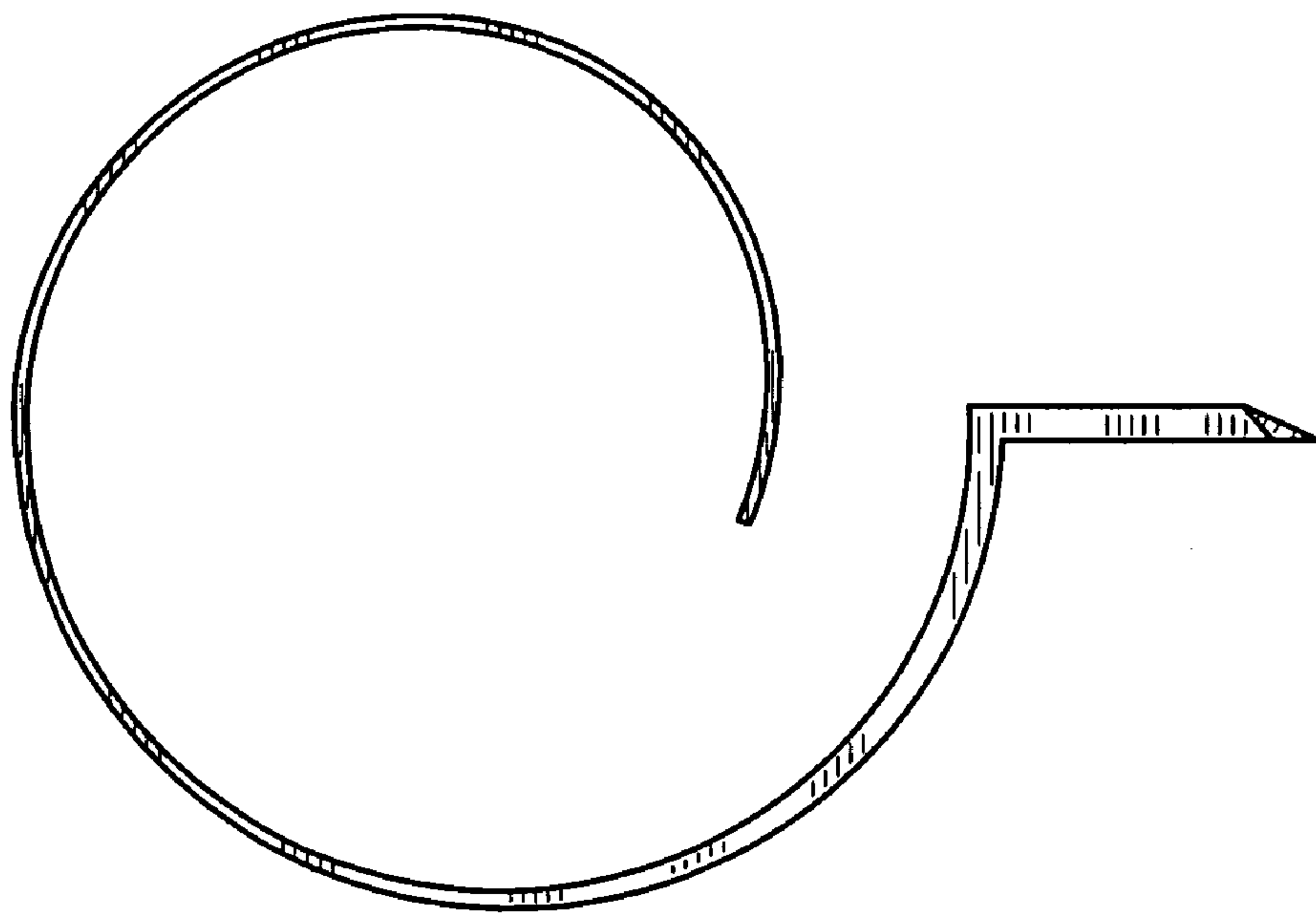


FIG. 6