



US00D626857S

(12) **United States Design Patent**  
**Spanjaard**

(10) **Patent No.:** **US D626,857 S**  
(45) **Date of Patent:** **\*\* Nov. 9, 2010**

(54) **BEVERAGE PACKAGE**

(57) **CLAIM**

(75) Inventor: **Gerard A. I. Spanjaard**, Amstelveen (NL)

The ornamental design for beverage package, as shown and described.

(73) Assignee: **Mascarene Corporation A.V.V.**, Oranjestad (AW)

**DESCRIPTION**

(\*\*) Term: **14 Years**

FIG. 1 is a pictorial view of a filled beverage package of the present invention, the shading indicating shape;

(21) Appl. No.: **29/362,240**

FIG. 2 is a front view thereof, the back view being identical to the front;

(22) Filed: **May 21, 2010**

FIG. 3 is a side view thereof, both side views being the same;

(51) **LOC (9) Cl.** ..... **09-01**

FIG. 4 is a top view thereof;

(52) **U.S. Cl.** ..... **D9/631; D9/708**

FIG. 5 is a bottom view thereof;

(58) **Field of Classification Search** ..... D7/514-516, D7/613, 619.2, 623, 628; D9/600-601, 621-622, D9/624, 631, 702, 707-710, 516; 206/457-458, 206/527; 220/890

FIG. 6 is a pictorial view of a filled beverage package according to a second embodiment of the present invention, the shading indicating shape;

See application file for complete search history.

FIG. 7 is a front view thereof, the back view being identical to the front;

(56) **References Cited**

FIG. 8 is a side view thereof, both side views being the same;

**U.S. PATENT DOCUMENTS**

FIG. 9 is a top view thereof; and,

D555,011 S 11/2007 Spanjaard

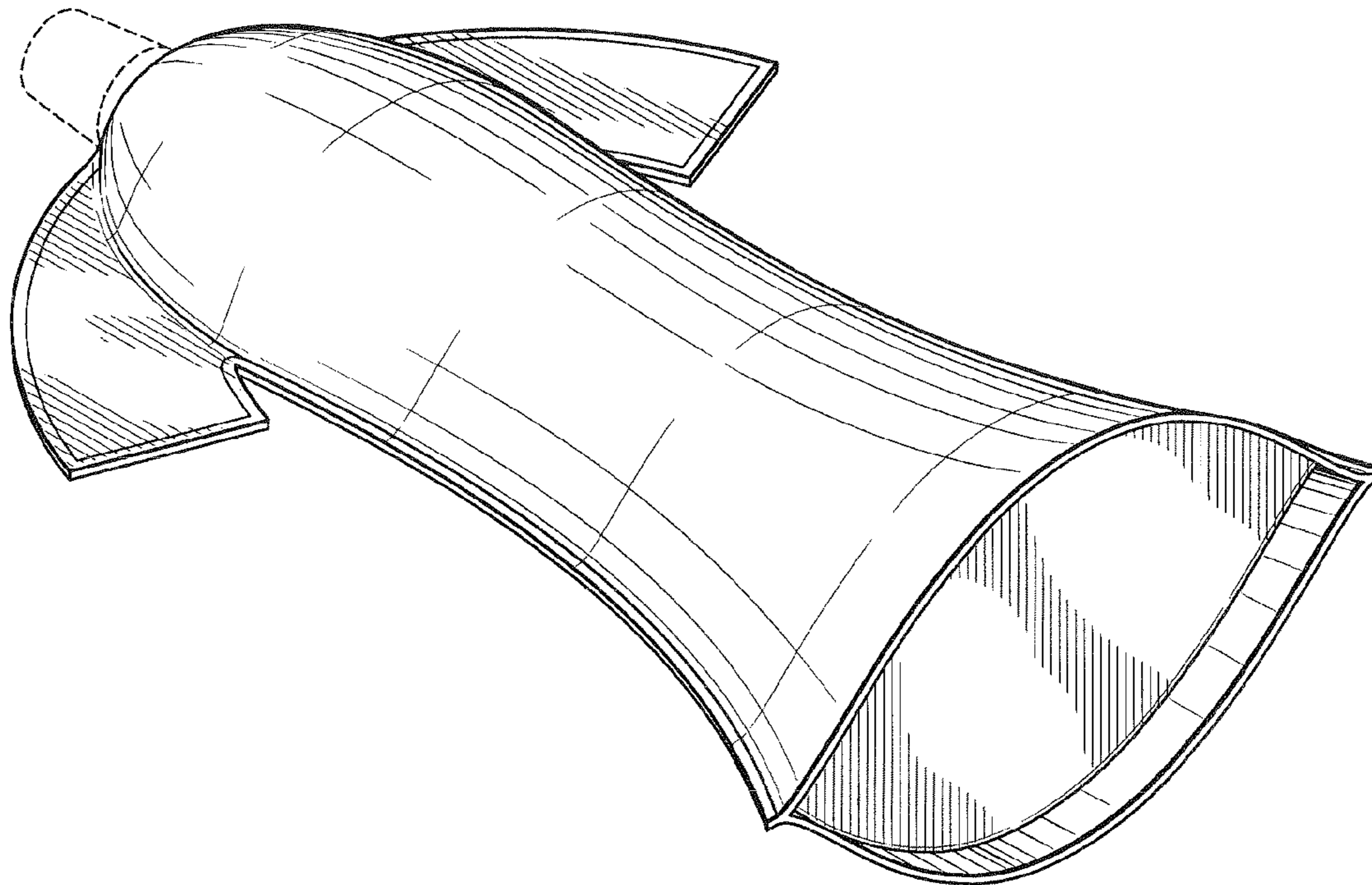
FIG. 10 is a bottom view thereof.

The broken line showing is for illustrative purposes only, and forms no part of the claimed design.

*Primary Examiner*—Sandra Morris

**1 Claim, 4 Drawing Sheets**

(74) *Attorney, Agent, or Firm*—Wood, Herron & Evans LLP



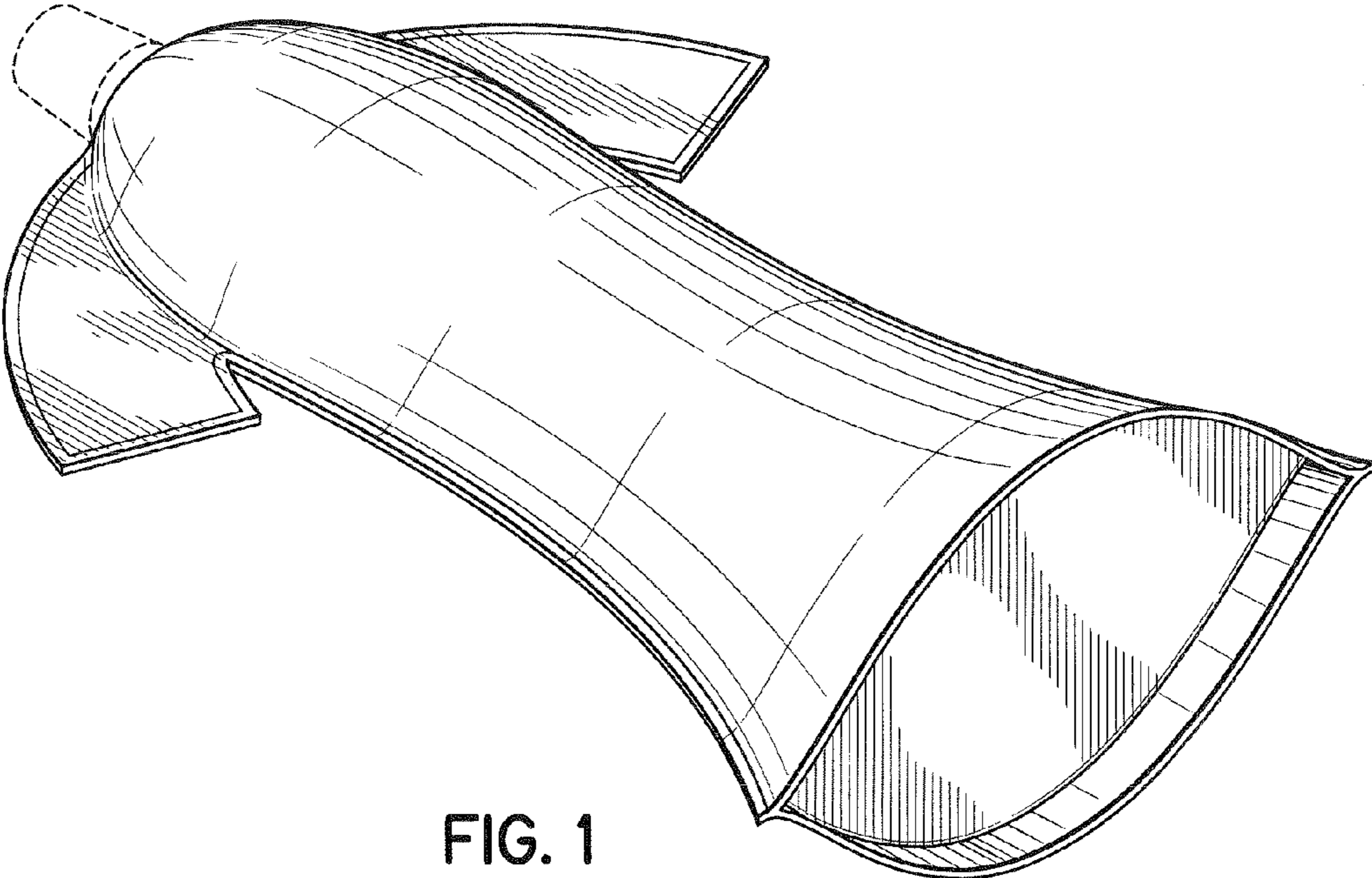


FIG. 1

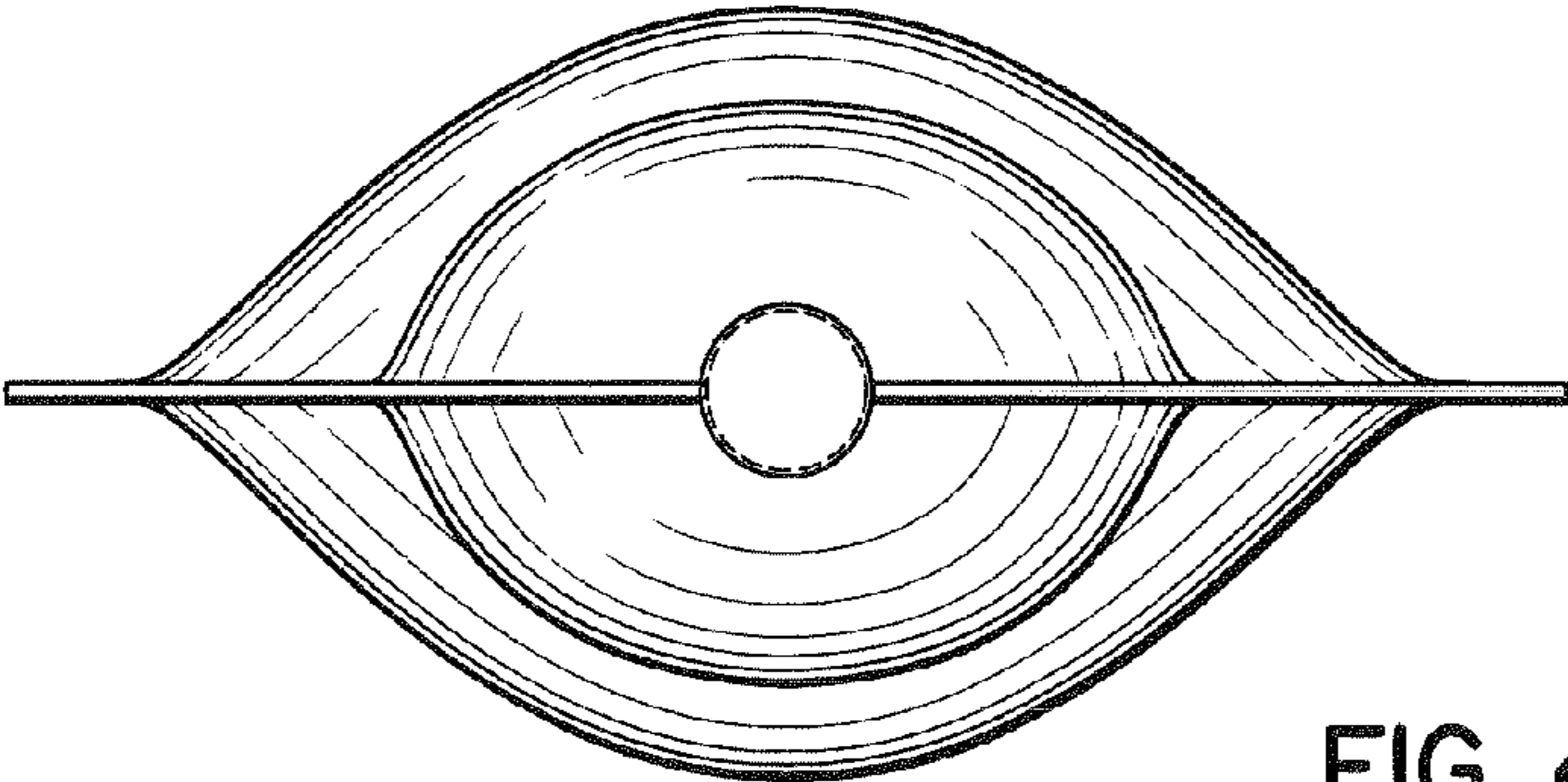


FIG. 4

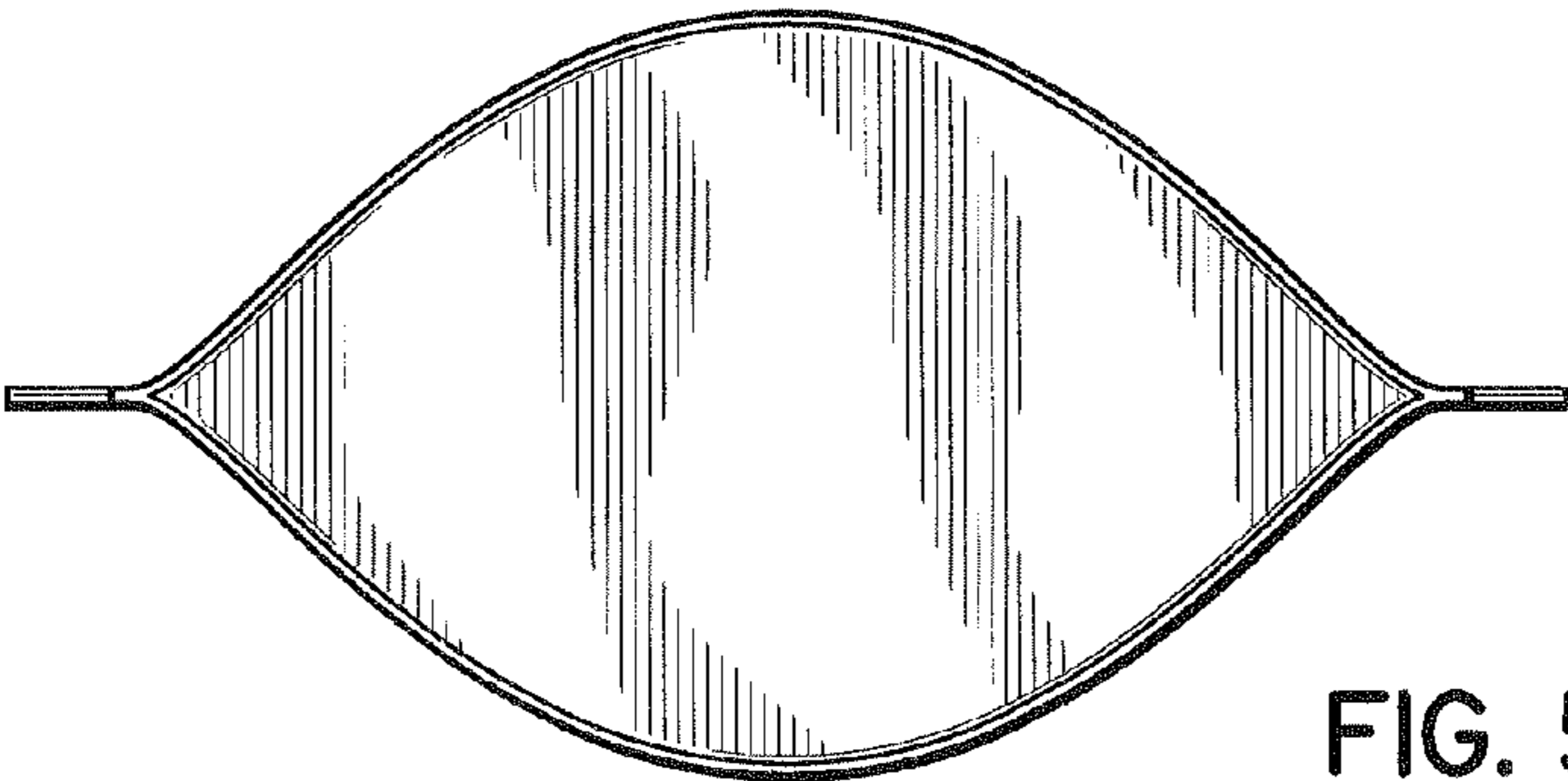


FIG. 5

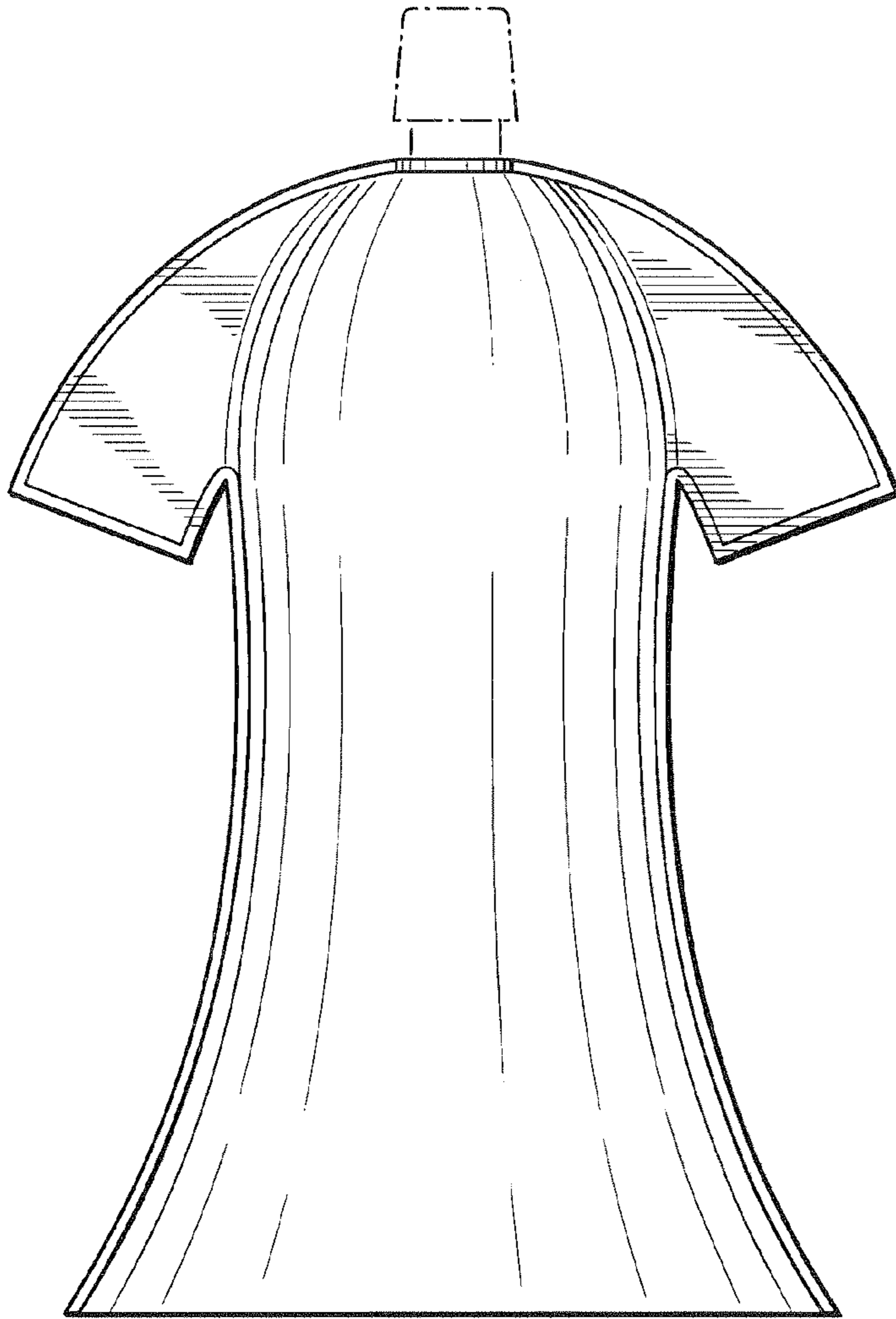


FIG. 2

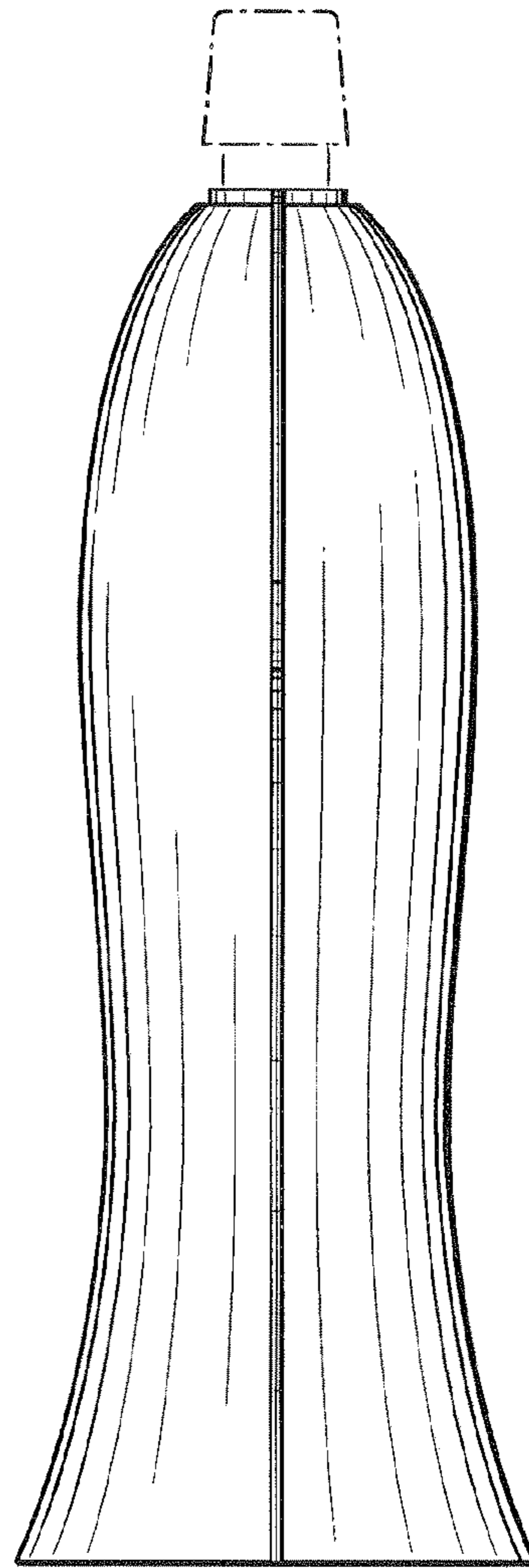


FIG. 3

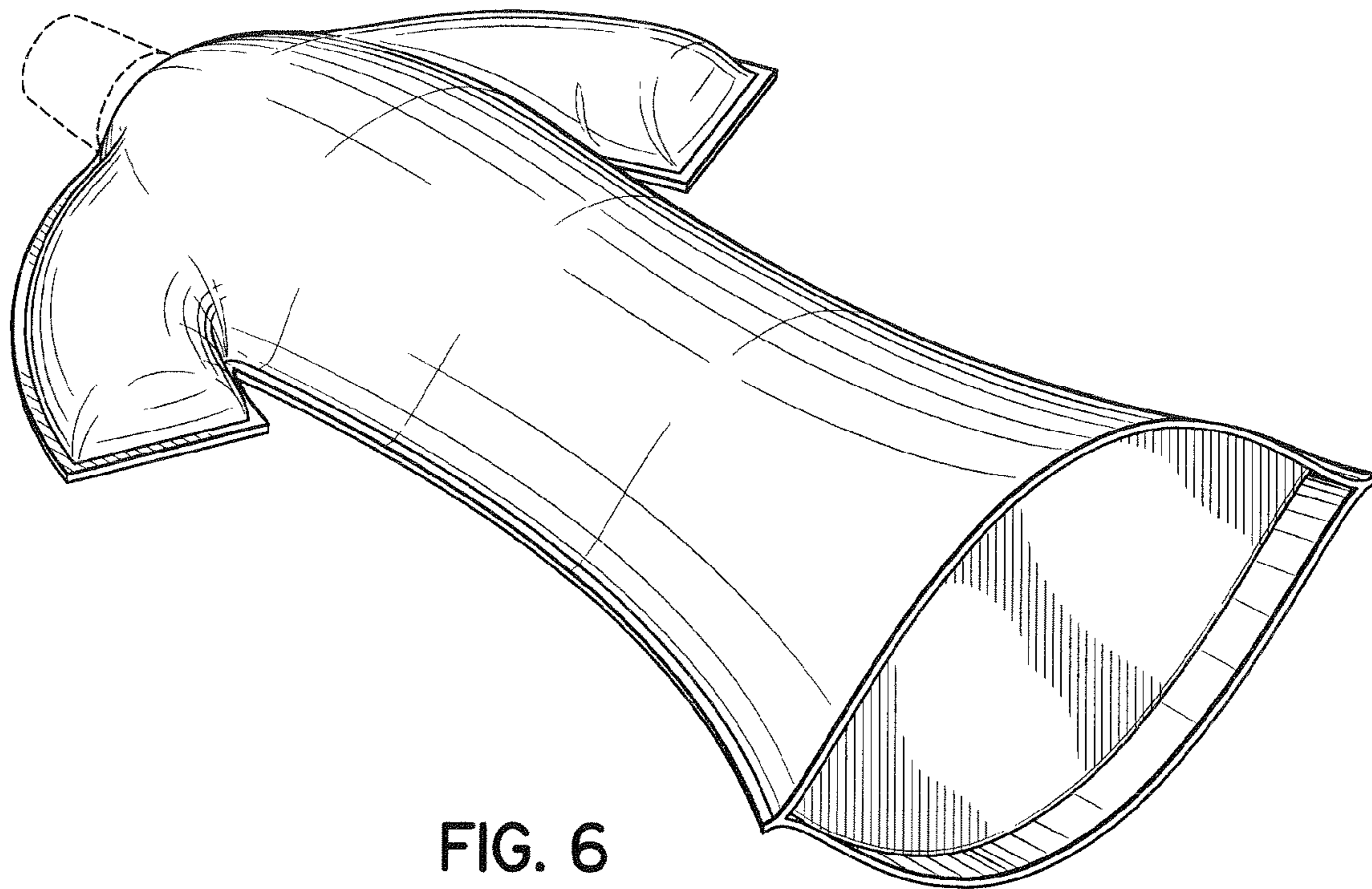


FIG. 6

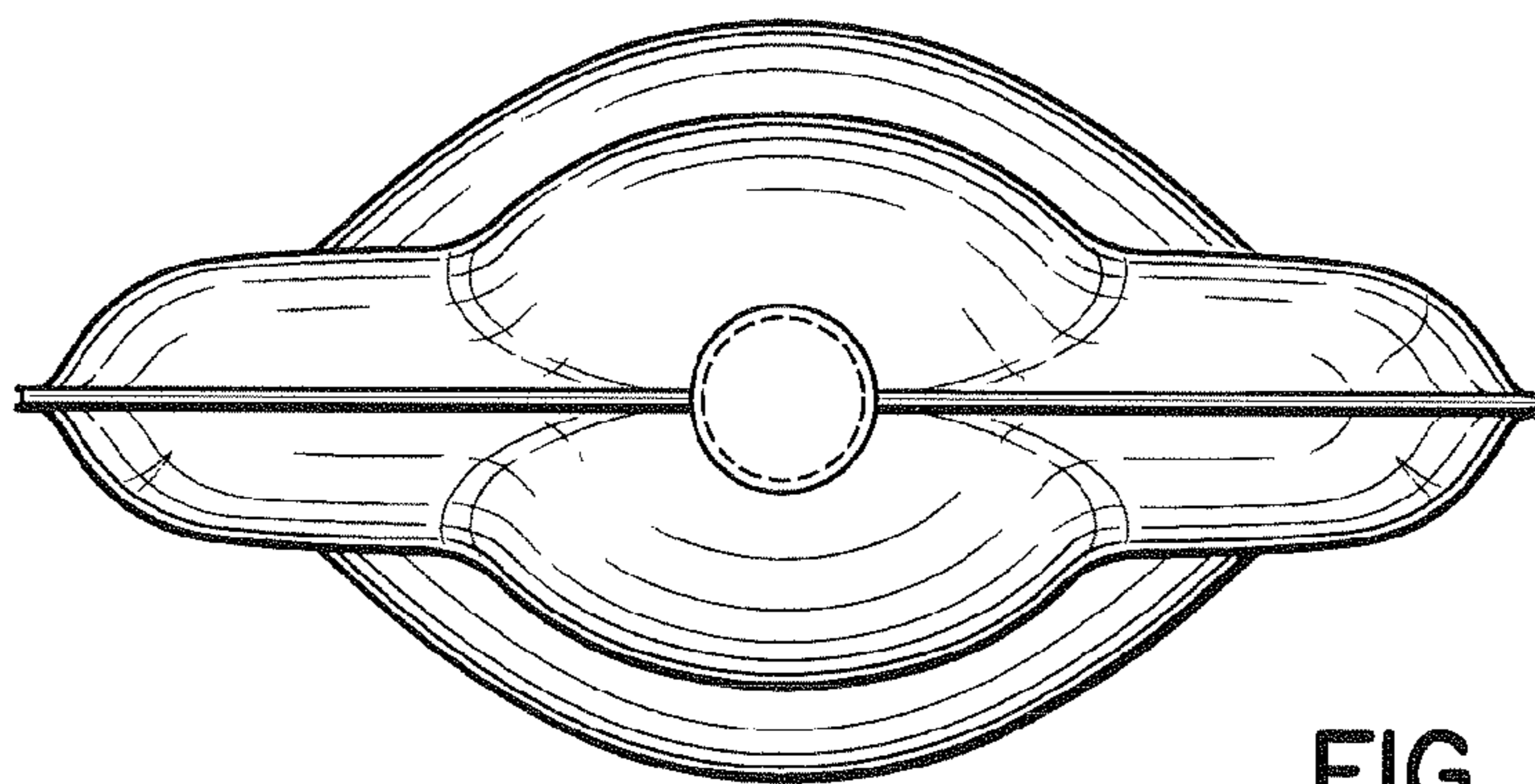


FIG. 9

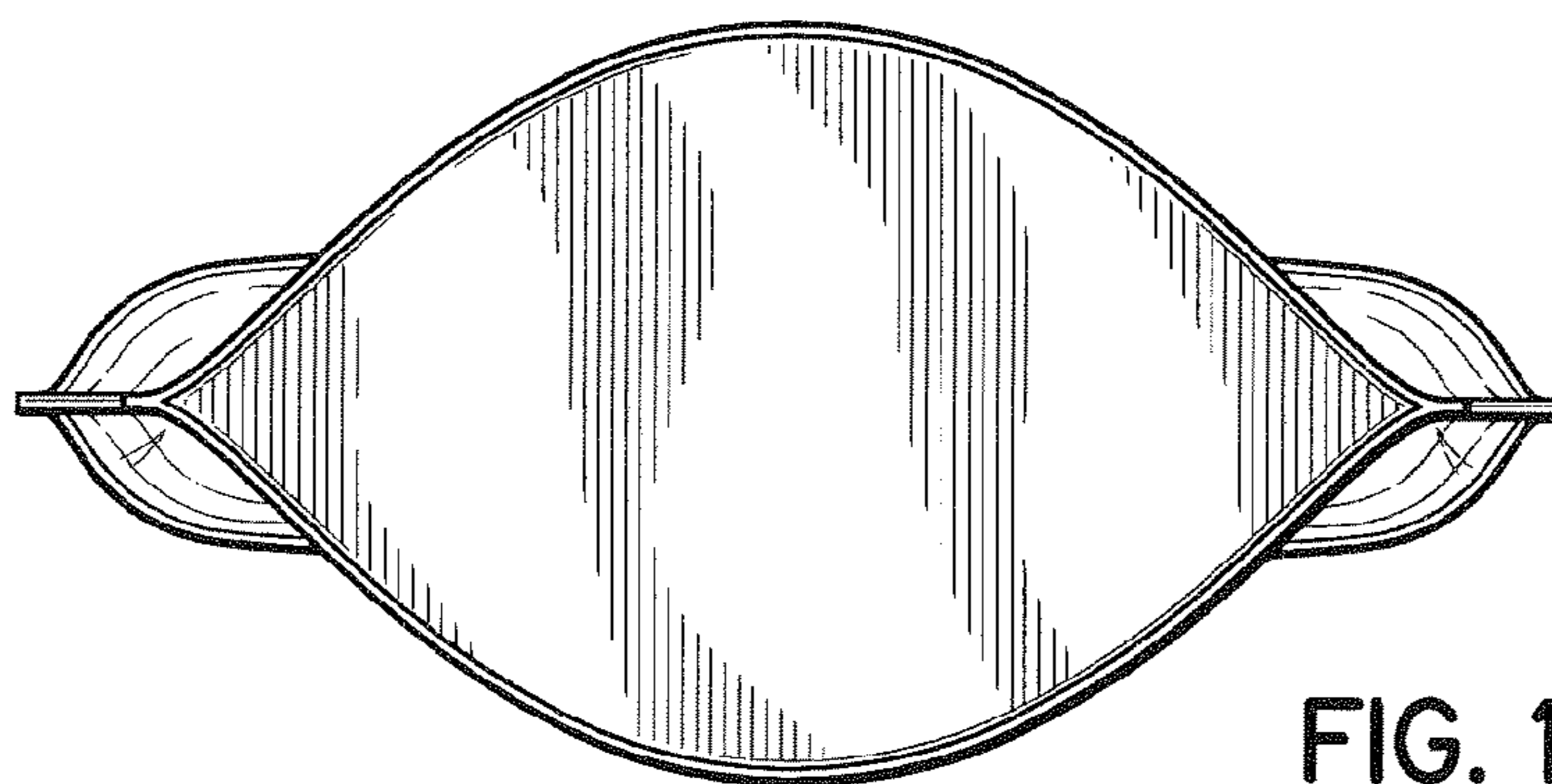


FIG. 10

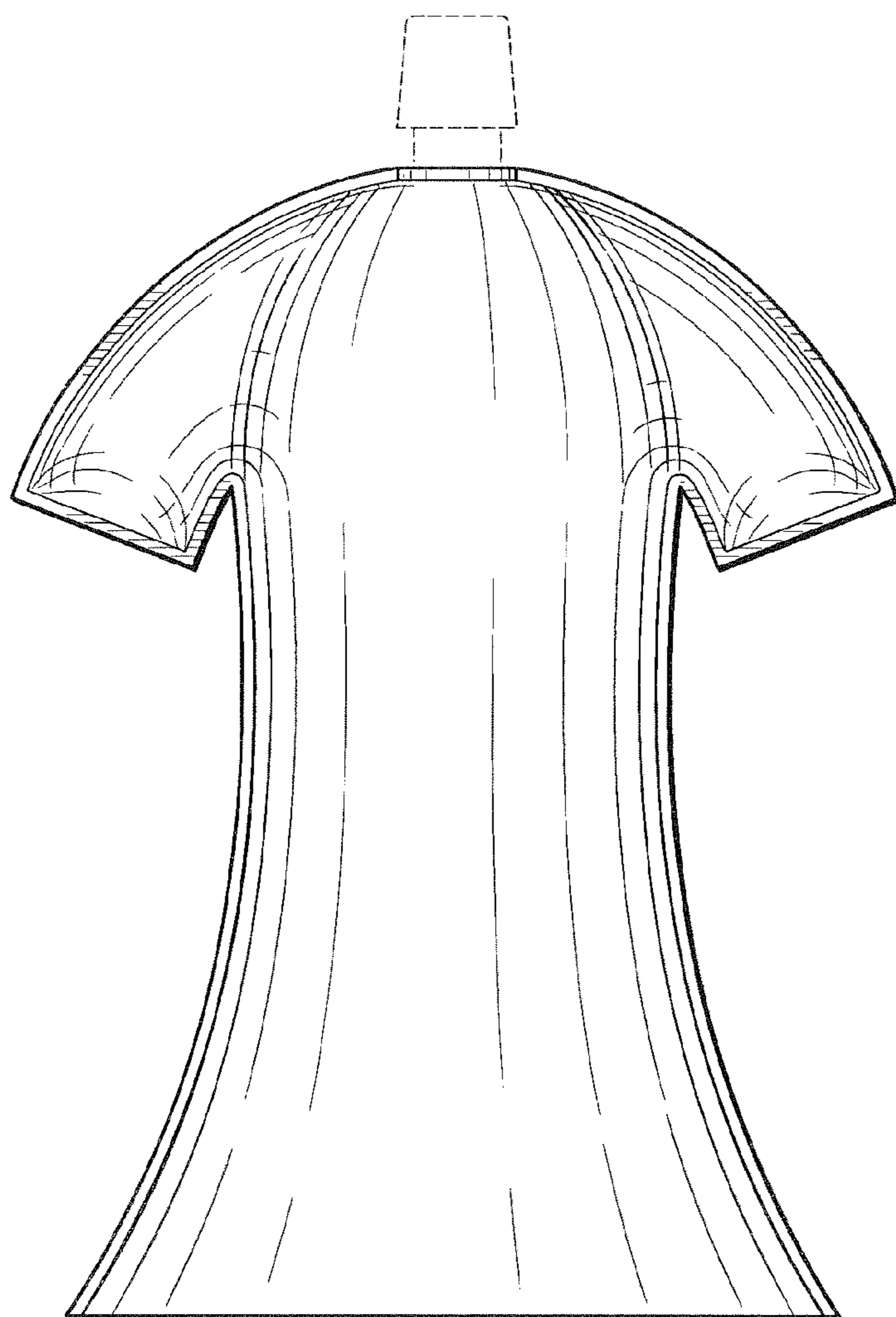


FIG. 7

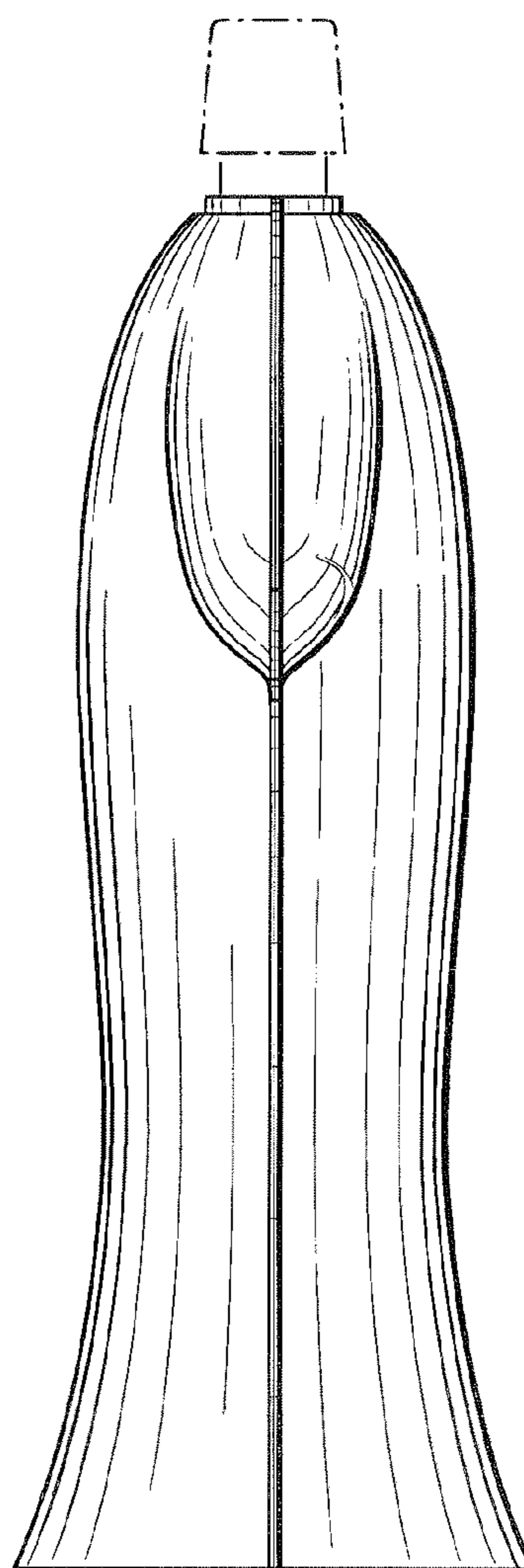


FIG. 8