



US00D626851S

(12) **United States Design Patent**
El Aquah

(10) **Patent No.:** **US D626,851 S**

(45) **Date of Patent:** **** *Nov. 9, 2010**

(54) **BOTTLE**

TR 2007/03088 1/2007

(75) Inventor: **Salah El Aquah**, Sadat City, Cairo (EG)

* cited by examiner

(73) Assignee: **PepsiCo, Inc.**, Purchase, NY (US)

Primary Examiner—Stella M Reid

Assistant Examiner—Elizabeth J Oswecki

(**) Term: **14 Years**

(74) *Attorney, Agent, or Firm*—Banner & Witcoff, Ltd.

(21) Appl. No.: **29/332,904**

(57) **CLAIM**

(22) Filed: **Feb. 27, 2009**

The ornamental design for a bottle, as shown and described.

(51) **LOC (9) Cl.** **09-01**

DESCRIPTION

(52) **U.S. Cl.** **D9/553; D9/520; D9/556;**
D9/557

FIG. 1 is a top, perspective view of a bottle showing a first embodiment of my new design;

(58) **Field of Classification Search** D9/500,
D9/502, 516, 520, 545, 546, 549, 550, 551,
D9/553, 556, 557, 558, 563, 564, 565, 566,
D9/569, 570, 571, 574; 215/381–385
See application file for complete search history.

FIG. 2 is a front view thereof;

FIG. 3 is a left view thereof;

FIG. 4 is a rear view thereof;

FIG. 5 is a right view thereof;

FIG. 6 is a top view thereof;

FIG. 7 is a bottom view thereof;

FIG. 8 is a bottom perspective view thereof;

FIG. 9 is a top, perspective view of a bottle showing a second embodiment of my new design;

FIG. 10 is a front view thereof;

FIG. 11 is a left view thereof;

FIG. 12 is a rear view thereof;

FIG. 13 is a right view thereof;

FIG. 14 is a top view thereof;

FIG. 15 is a bottom view thereof; and,

FIG. 16 is a bottom perspective thereof.

The even-length broken lines showing the brand label represents environmental structure and forms no part of the claimed design.

(56) **References Cited**

U.S. PATENT DOCUMENTS

D238,754	S *	2/1976	Frahm	D9/500
D326,051	S *	5/1992	Frahm	D9/558
D400,794	S *	11/1998	Takeuchi et al.	D9/532
D403,243	S *	12/1998	Takeuchi et al.	D9/532
D430,038	S *	8/2000	Young et al.	D9/549
D471,457	S *	3/2003	Deichler et al.	D9/502
D487,701	S *	3/2004	Thibodeau et al.	D9/531
6,932,228	B1 *	8/2005	Darr et al.	215/10
D537,348	S *	2/2007	Beck et al.	D9/520
D537,648	S *	3/2007	Moschini	D6/381
D542,142	S *	5/2007	Walton et al.	D9/539
D571,220	S *	6/2008	Pagliacci	D9/551
D584,954	S *	1/2009	Pagliacci	D9/545
2004/0065636	A1 *	4/2004	Thibodeau et al.	215/398

FOREIGN PATENT DOCUMENTS

EG	494/2007	6/2009
EG	495/2007	6/2009
TR	2007/01495	1/2007

1 Claim, 14 Drawing Sheets

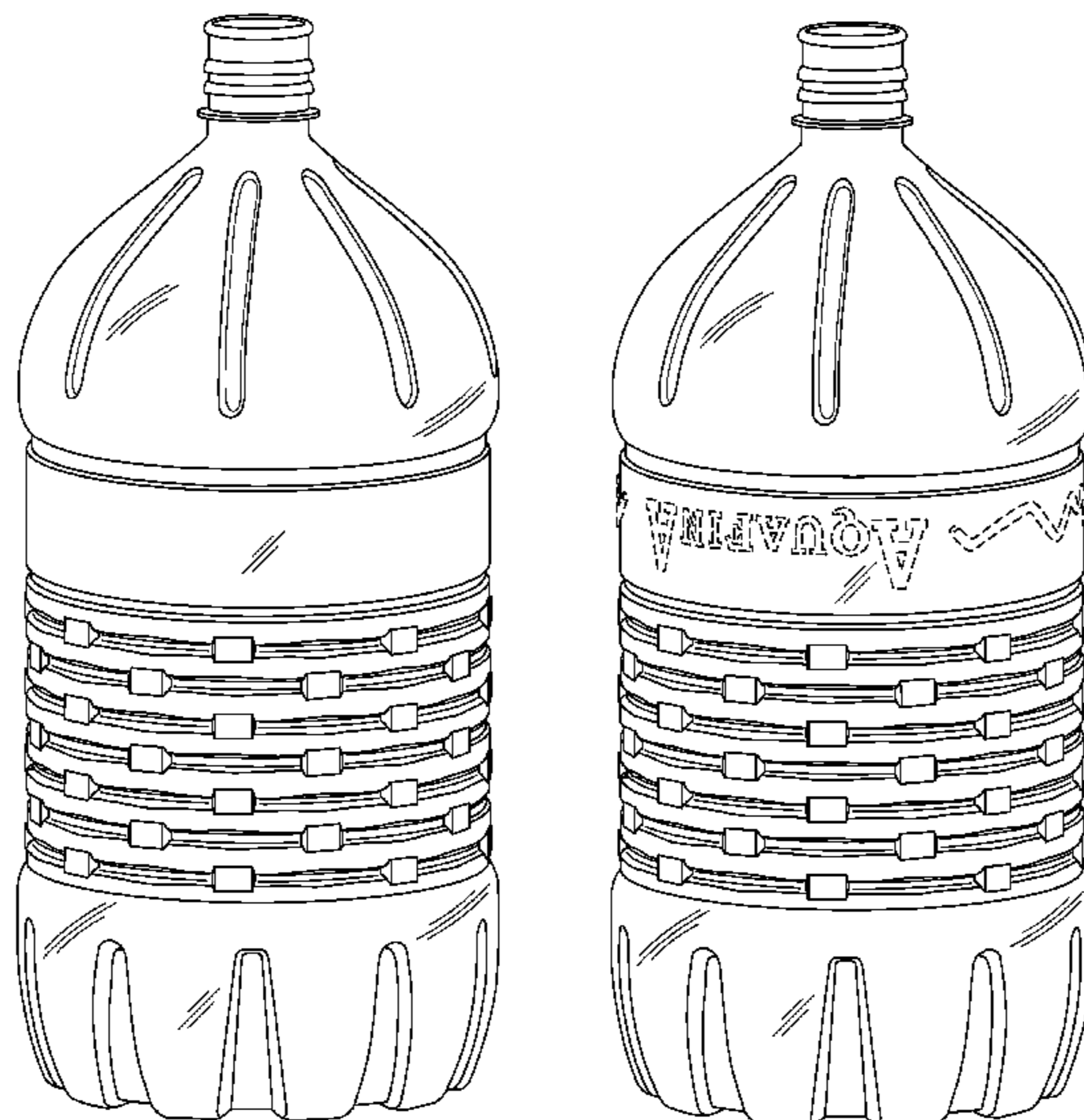


Fig. 1

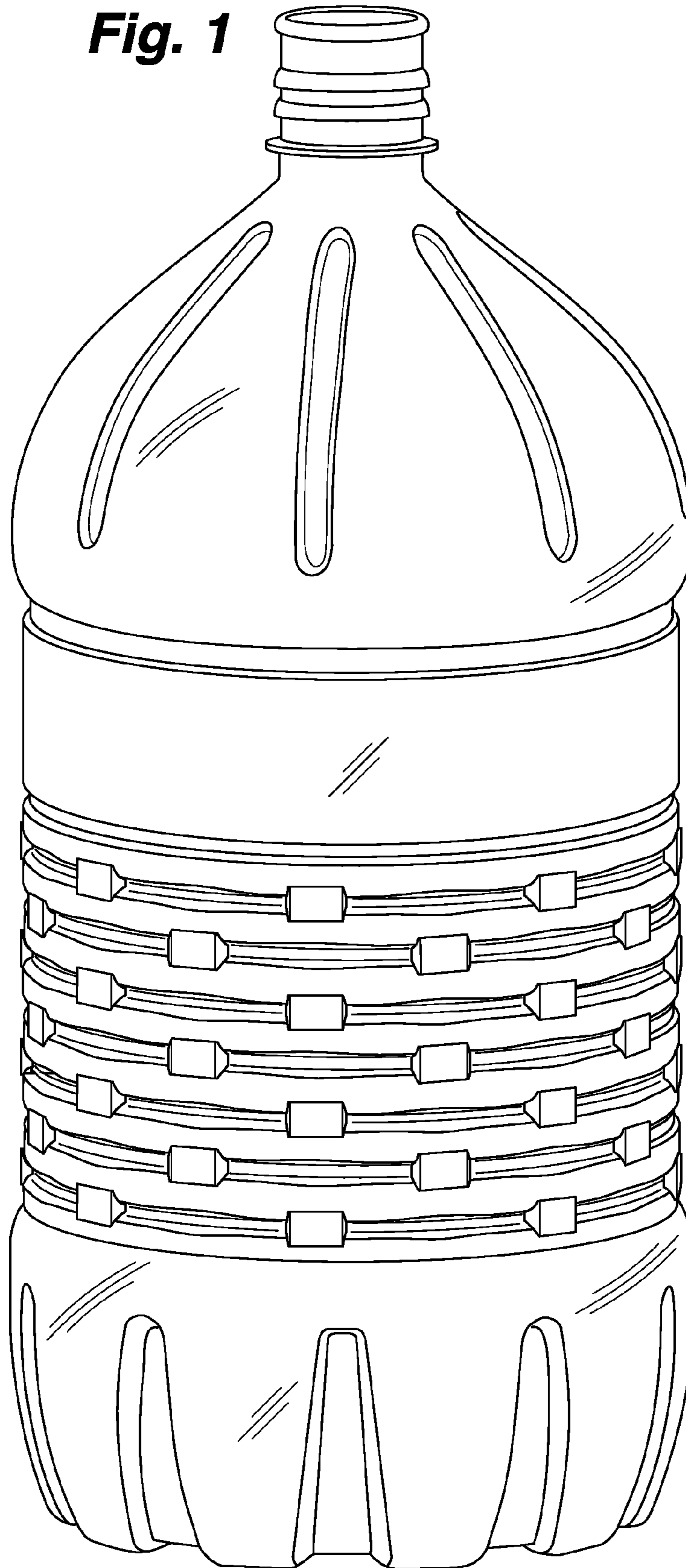


Fig. 2

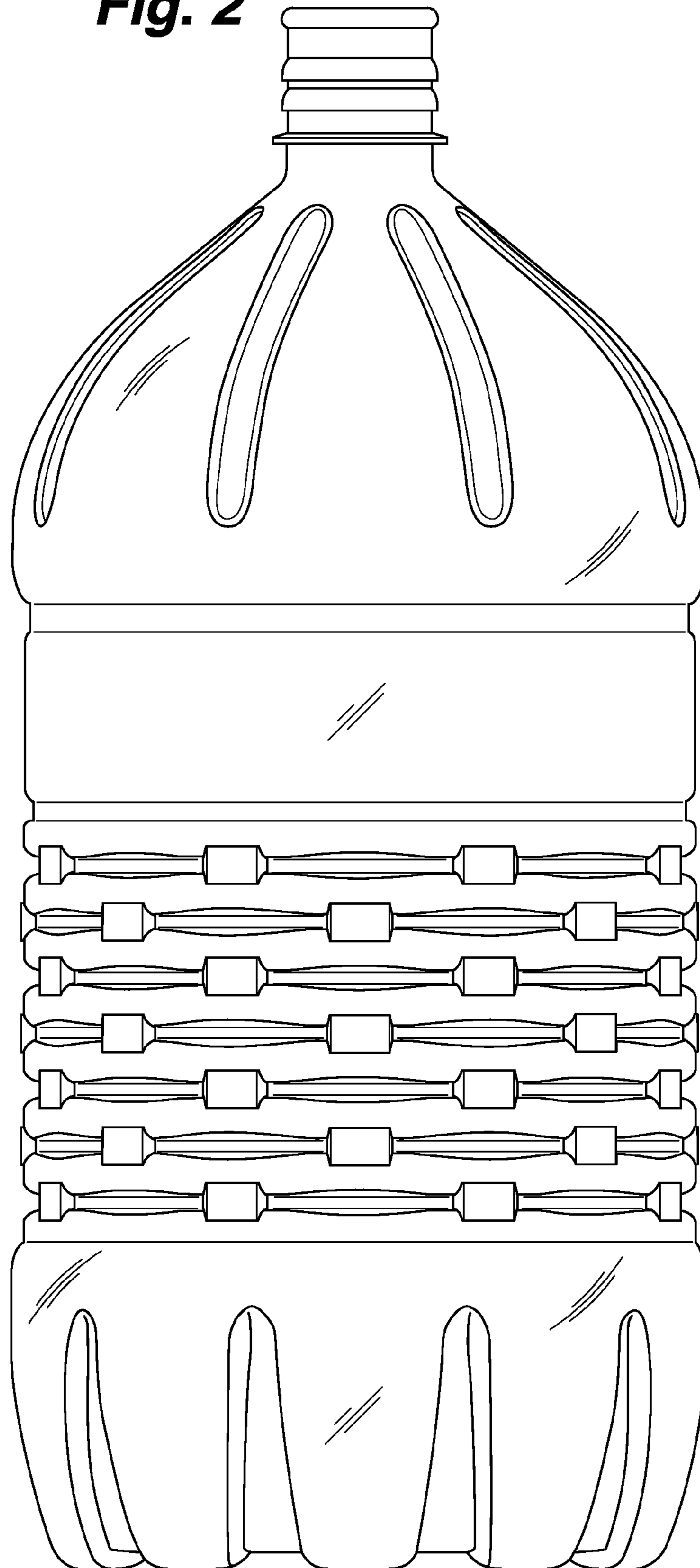


Fig. 3

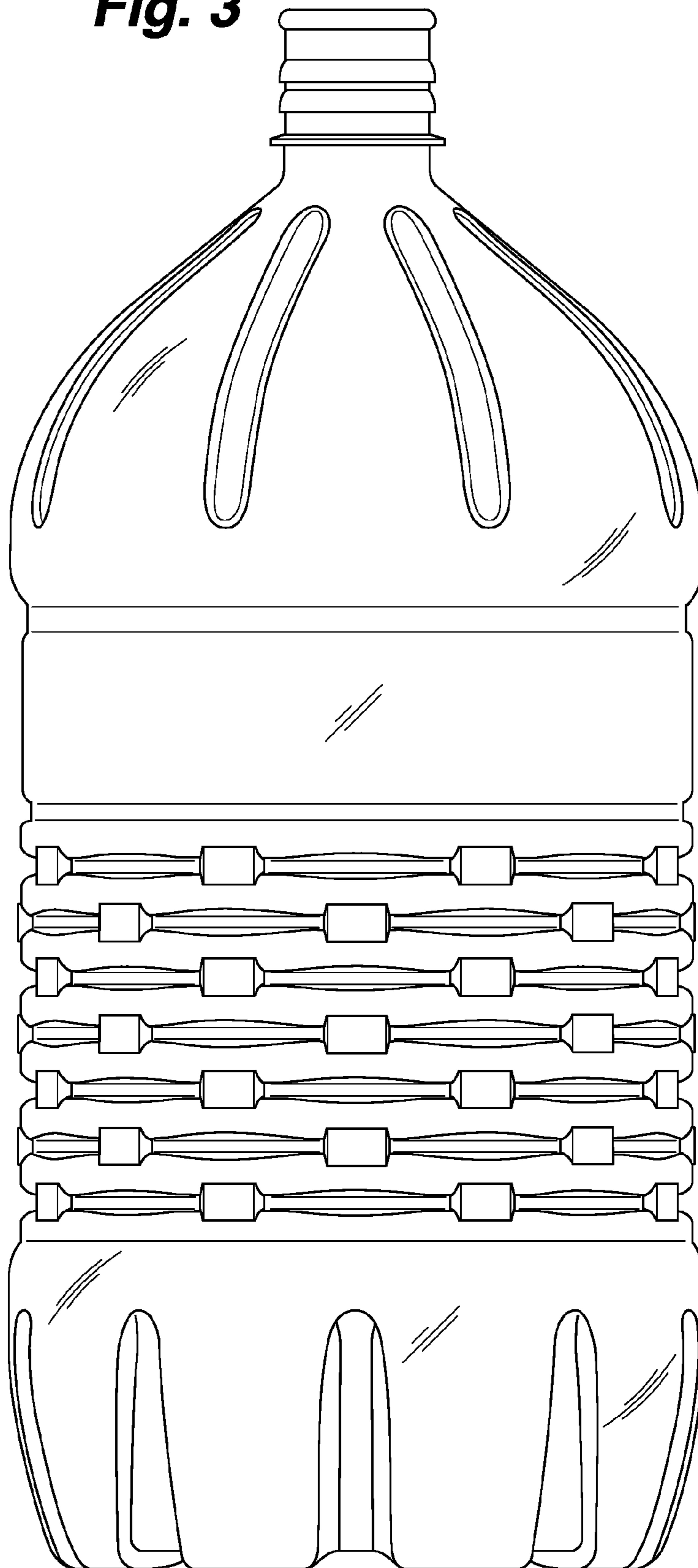


Fig. 4

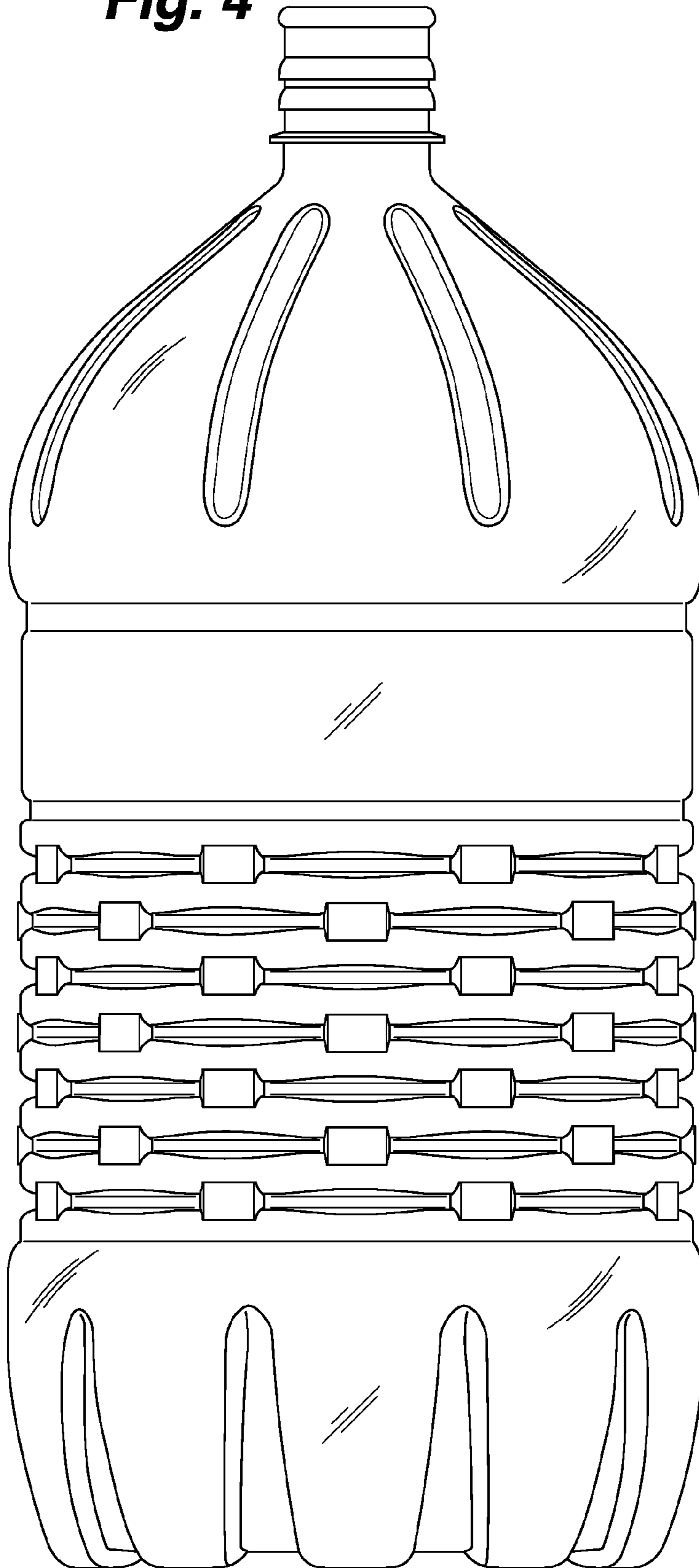


Fig. 5

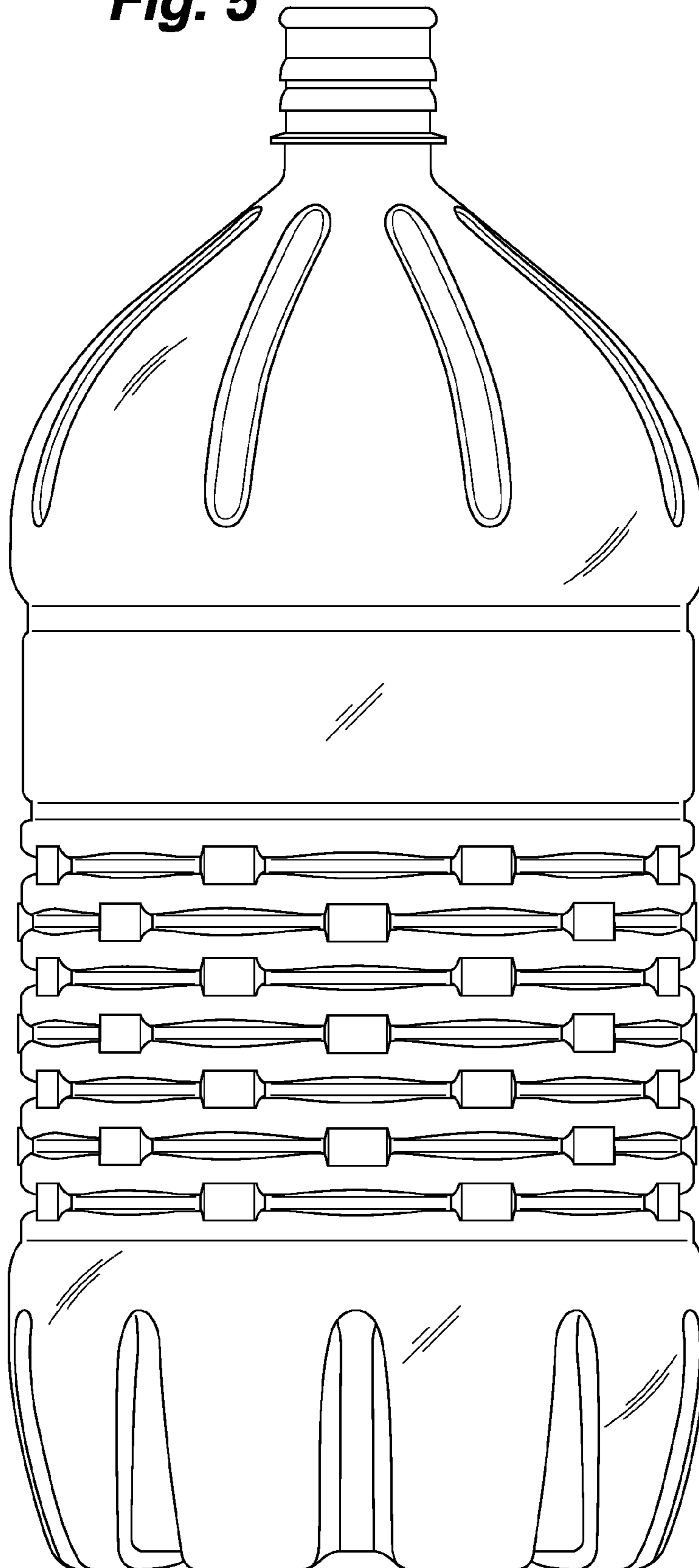


Fig. 6

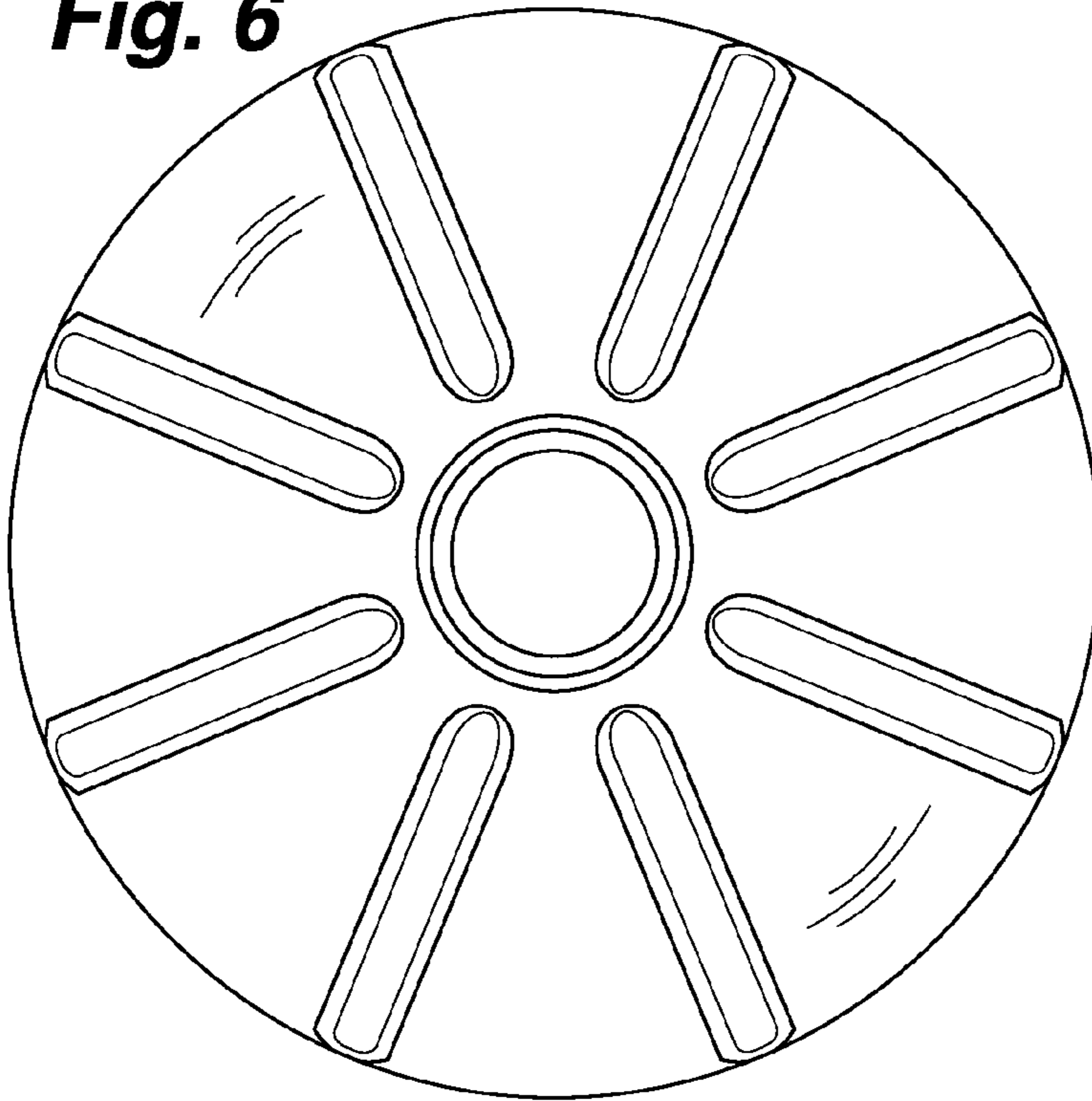


Fig. 7

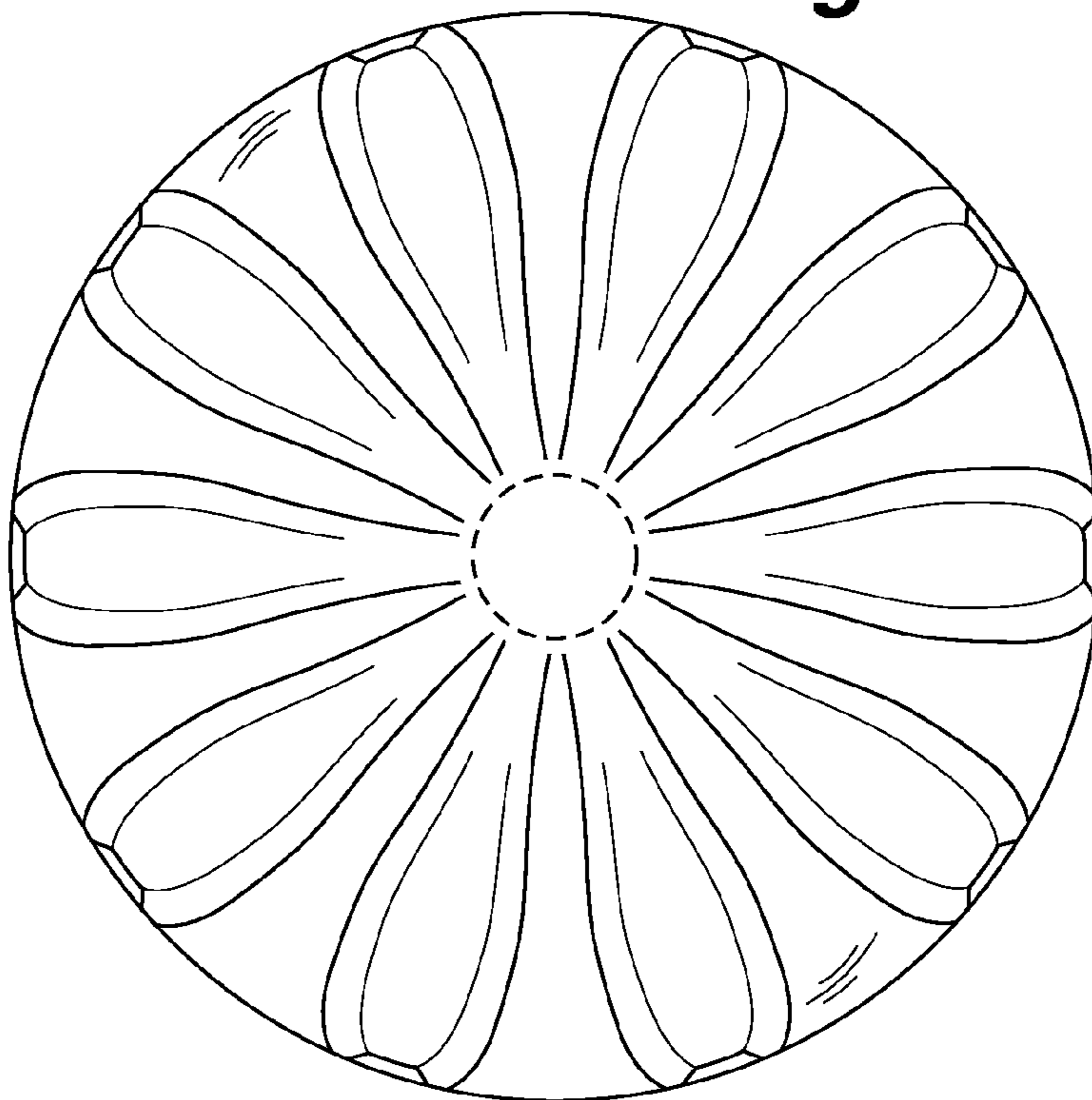


Fig. 8

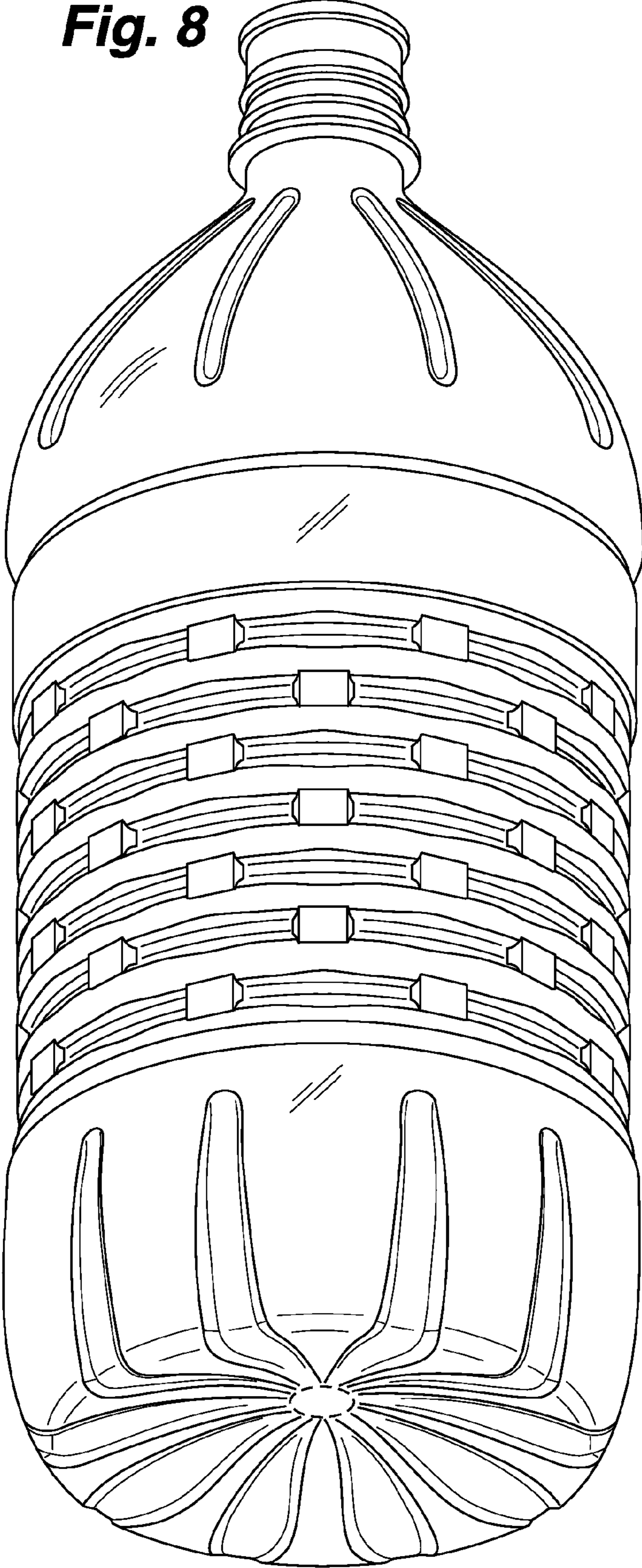


Fig. 9

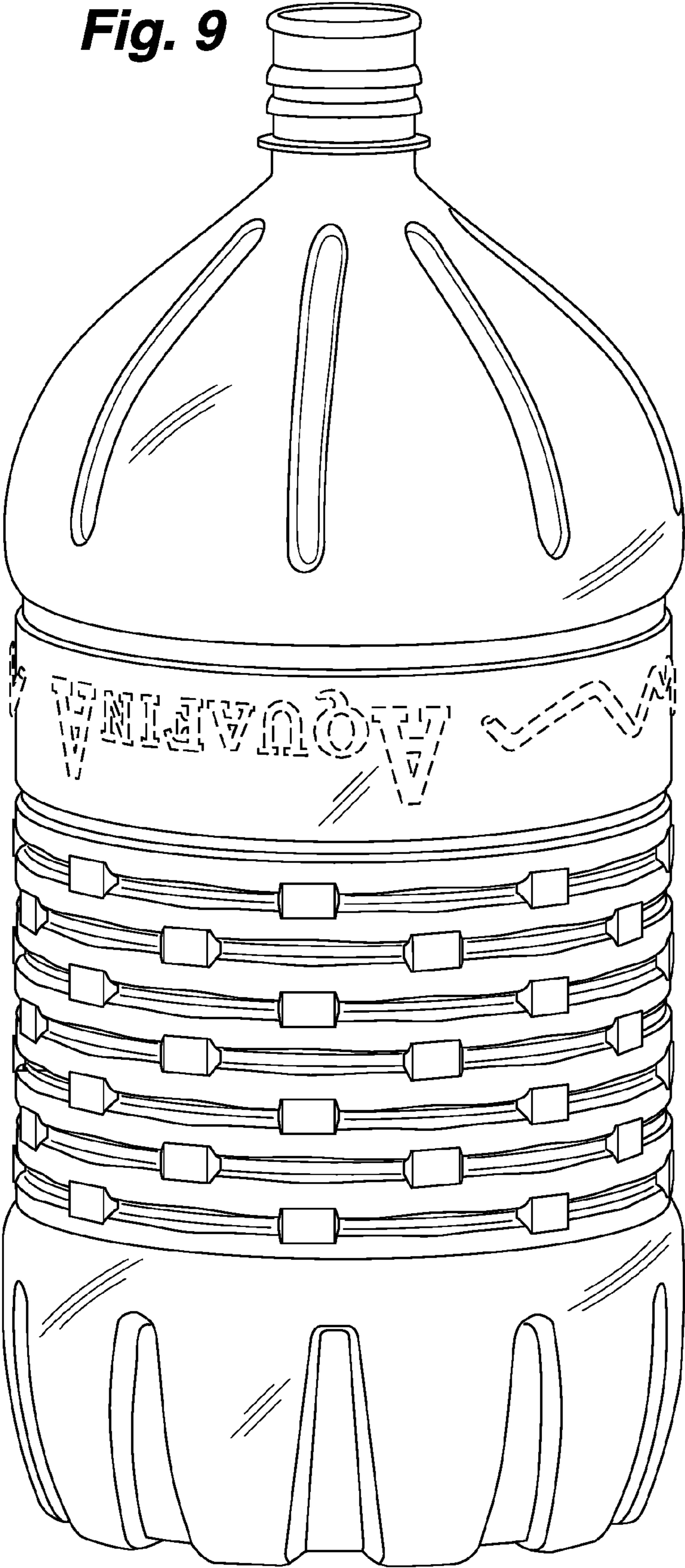


Fig. 10

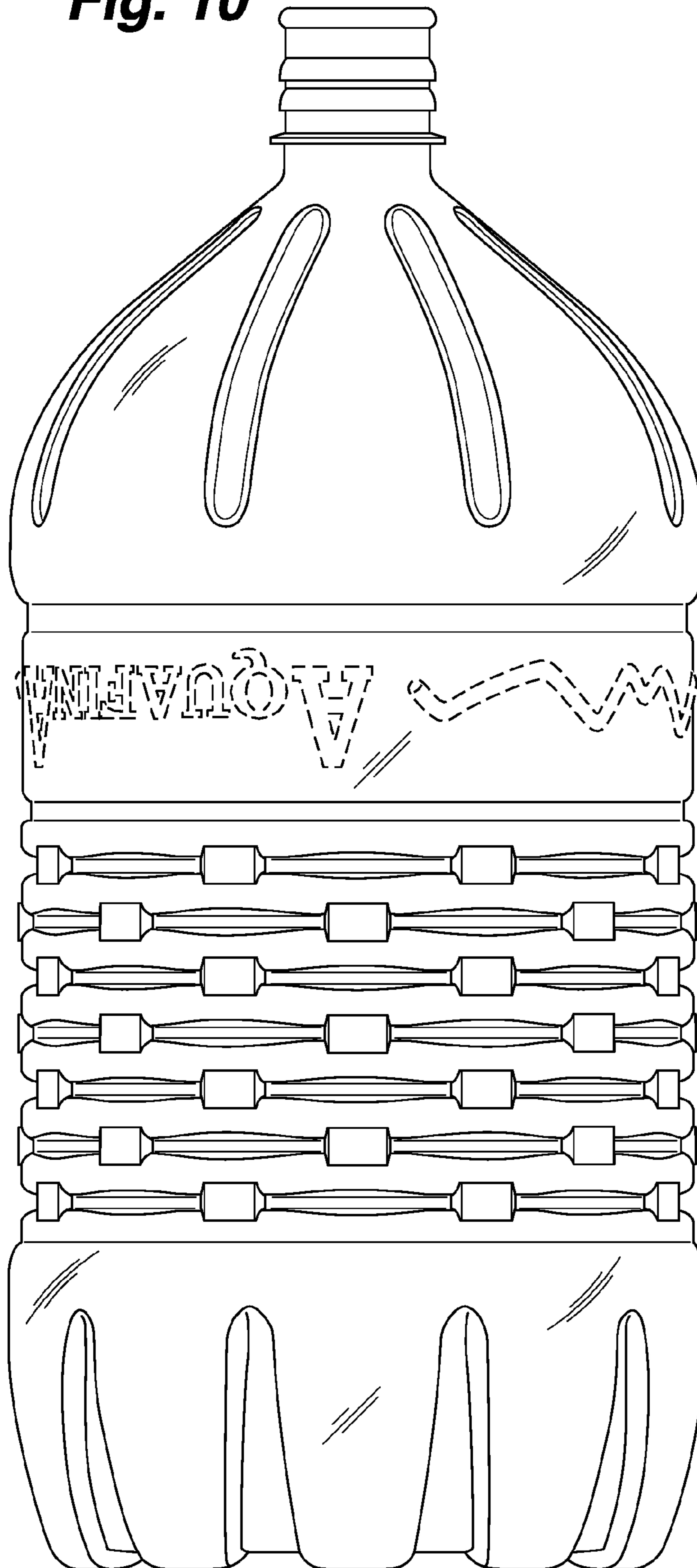


Fig. 11

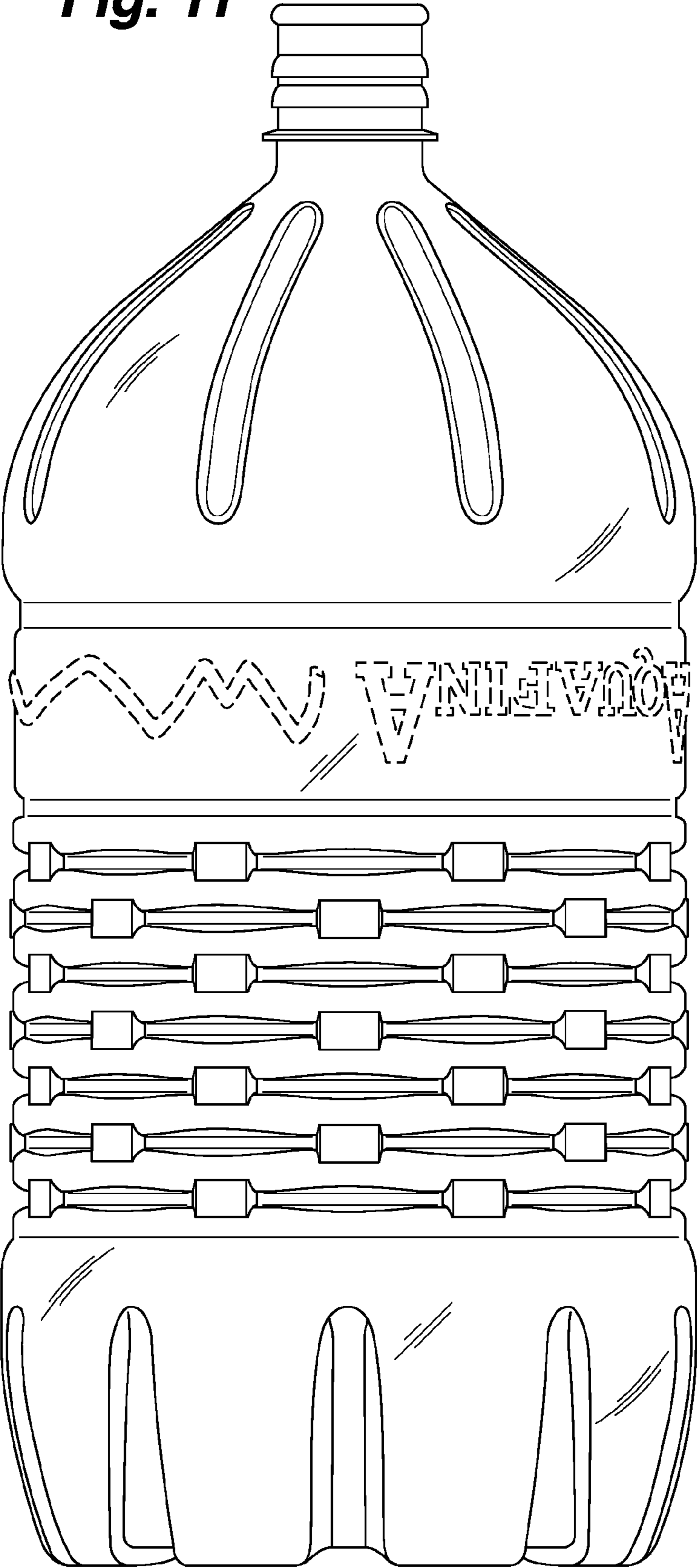


Fig. 12

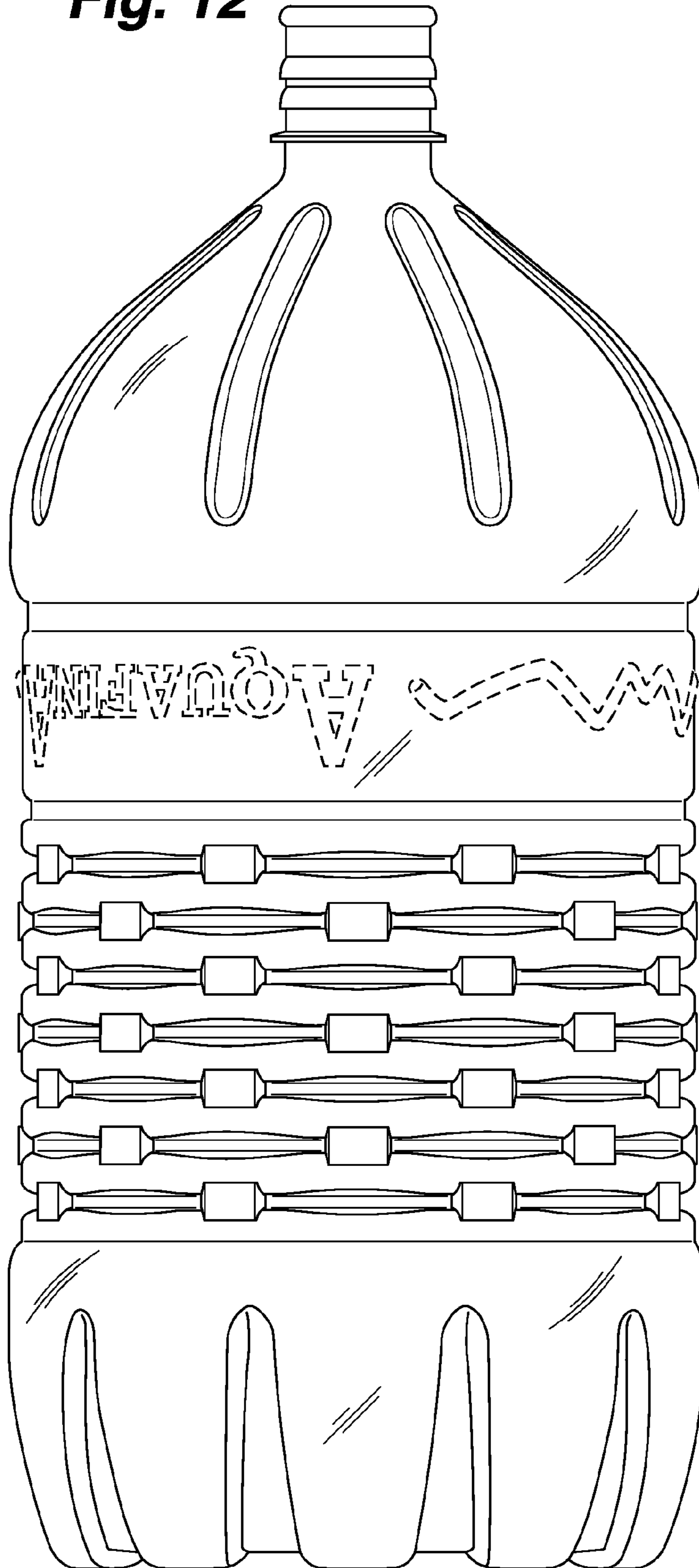


Fig. 13

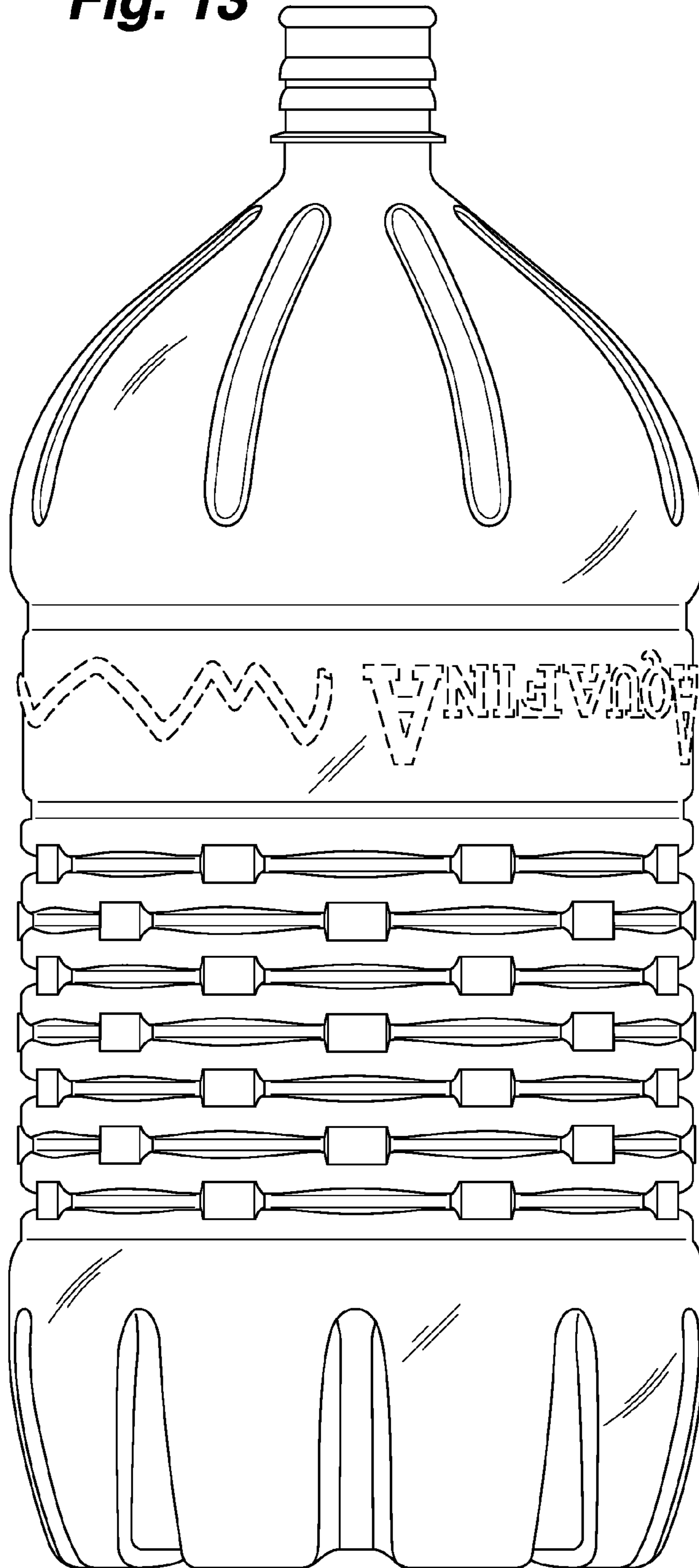


Fig. 14

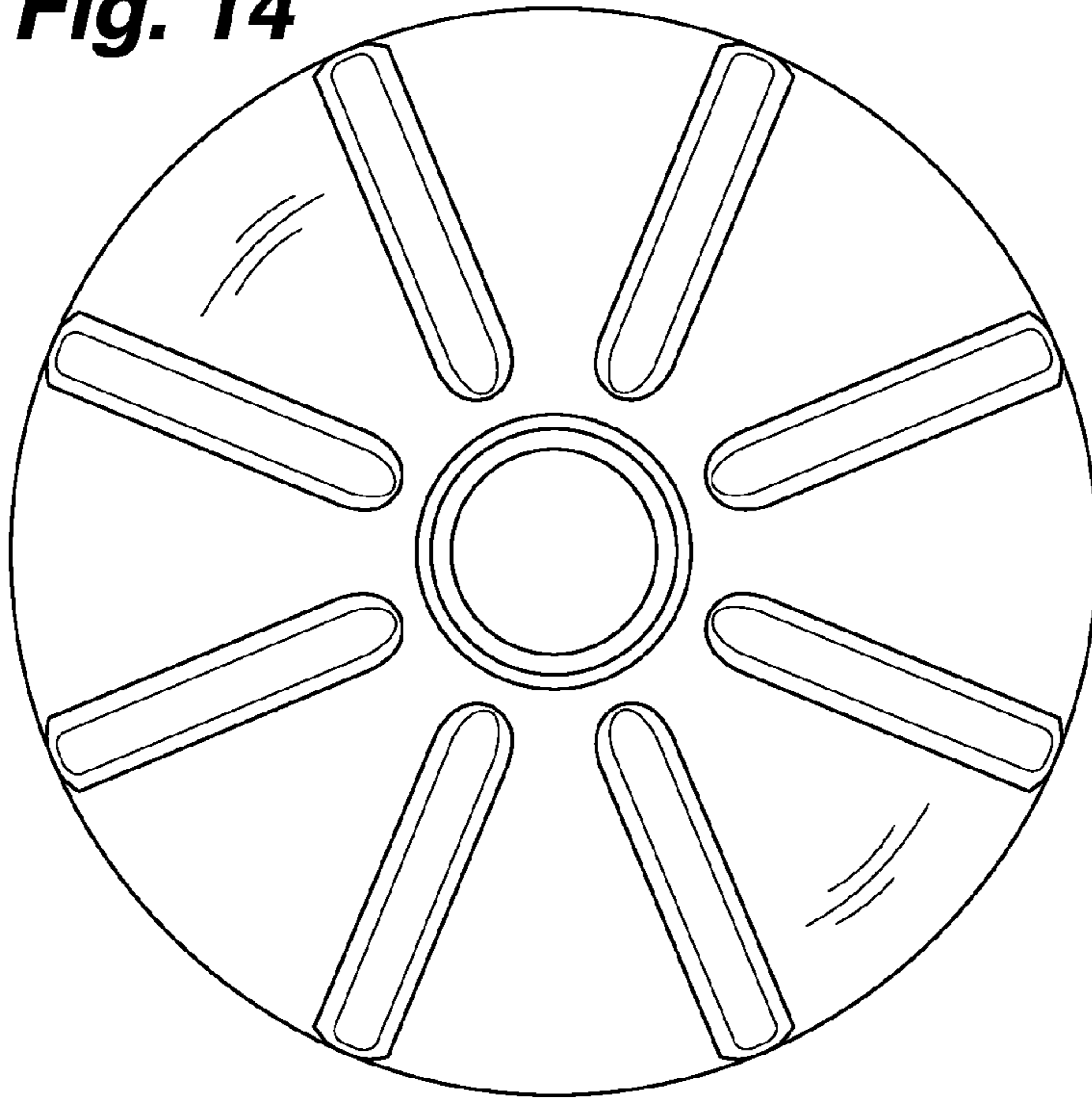


Fig. 15

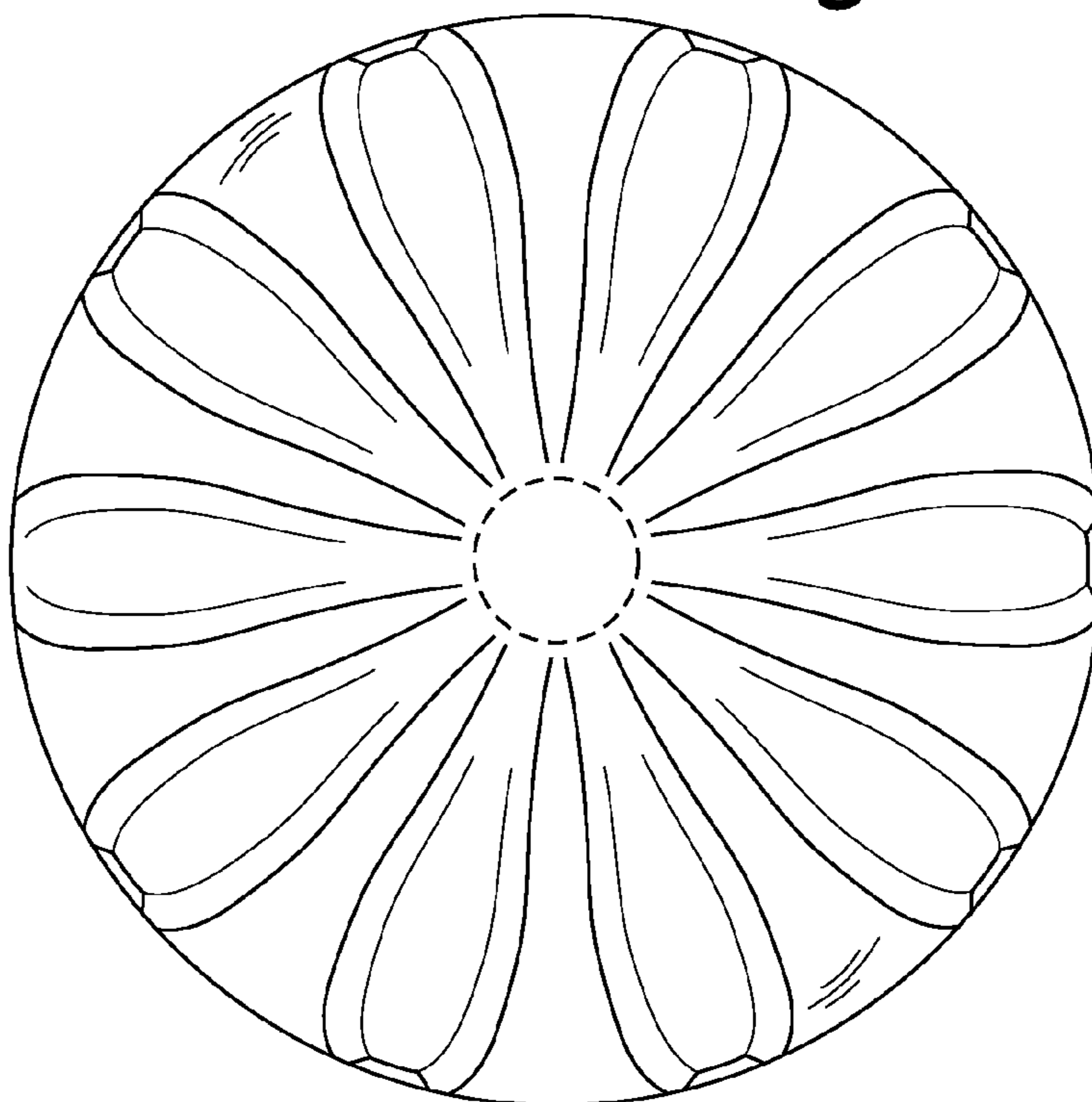


Fig. 16

