



US00D626845S

(12) **United States Design Patent**
De Haan

(10) **Patent No.:** **US D626,845 S**
(45) **Date of Patent:** **** Nov. 9, 2010**

(54) **BOTTLE**

(75) Inventor: **Timothy De Haan**, Wilmington, DE
(US)

(73) Assignee: **Brandywine Product Group**
International Inc., Wilmington, DE
(US)

(**) Term: **14 Years**

(21) Appl. No.: **29/364,185**

(22) Filed: **Jun. 21, 2010**

Related U.S. Application Data

(63) Continuation of application No. 29/350,177, filed on
Nov. 12, 2009, now Pat. No. Des. 618,550.

(51) **LOC (9) Cl.** **09-01**

(52) **U.S. Cl.** **D9/522; D9/543; D9/575;**
D9/520

(58) **Field of Classification Search** D9/516,
D9/522, 523, 529, 530, 542-543, 574-575;
D23/366; 215/382-384; 392/403; D4/114,
D4/116

See application file for complete search history.

(56) **References Cited**

U.S. PATENT DOCUMENTS

| | | | | |
|---------------|---------|-------------------|-------|---------|
| D160,209 S * | 9/1950 | Piccoli | | D9/571 |
| 5,038,394 A | 8/1991 | Hasegawa et al. | | |
| 5,222,186 A | 6/1993 | Schimanski et al. | | |
| 5,290,546 A | 3/1994 | Hasegawa et al. | | |
| 5,529,417 A * | 6/1996 | Burrlander | | 401/129 |
| 5,647,053 A | 7/1997 | Schroeder et al. | | |
| D386,974 S | 12/1997 | Wefler | | |
| 5,909,845 A | 6/1999 | Greatbatch et al. | | |
| 6,104,867 A | 8/2000 | Stathakis et al. | | |
| D432,222 S | 10/2000 | Rymer et al. | | |
| D433,744 S | 11/2000 | Basaganas | | |
| D439,319 S | 3/2001 | Wolpert | | |
| D444,220 S * | 6/2001 | Basaganas | | D23/366 |
| 6,278,840 B1 | 8/2001 | Basaganas Millan | | |

| | | | | |
|--------------|---------|------------------|-------|---------|
| 6,285,830 B1 | 9/2001 | Basaganas Millan | | |
| D461,549 S | 8/2002 | Garcia | | |
| 6,466,739 B2 | 10/2002 | Ambrosi et al. | | |
| D478,512 S * | 8/2003 | Duston et al. | | D9/522 |
| D479,804 S * | 9/2003 | Wolpert et al. | | D9/574 |
| 6,622,662 B1 | 9/2003 | Wolpert et al. | | |
| 6,659,301 B2 | 12/2003 | Fellows et al. | | |
| D488,213 S * | 4/2004 | Millan | | D23/366 |
| 6,766,773 B2 | 7/2004 | Wolpert et al. | | |
| 6,792,199 B2 | 9/2004 | Levine et al. | | |
| D501,921 S | 2/2005 | Caserta et al. | | |
| 6,854,717 B2 | 2/2005 | Millan | | |
| 6,859,615 B2 | 2/2005 | Yip et al. | | |
| 6,862,403 B2 | 3/2005 | Pedrotti et al. | | |
| D503,621 S | 4/2005 | Heater | | |
| D505,080 S * | 5/2005 | Cagle | | D9/571 |
| D505,330 S | 5/2005 | Wolpert | | |
| 6,931,202 B2 | 8/2005 | Pedrotti et al. | | |
| D510,423 S | 10/2005 | Caserta et al. | | |

(Continued)

Primary Examiner—Carol Rademaker

(74) *Attorney, Agent, or Firm*—Connolly Bove Lodge & Hutz
LLP

(57) **CLAIM**

The ornamental design for a bottle, as shown and described.

DESCRIPTION

FIG. 1 is a top left front perspective view of a bottle showing
the invention;

FIG. 2 is a top plan view thereof;

FIG. 3 is a bottom plan view thereof;

FIG. 4 is a front elevational view thereof;

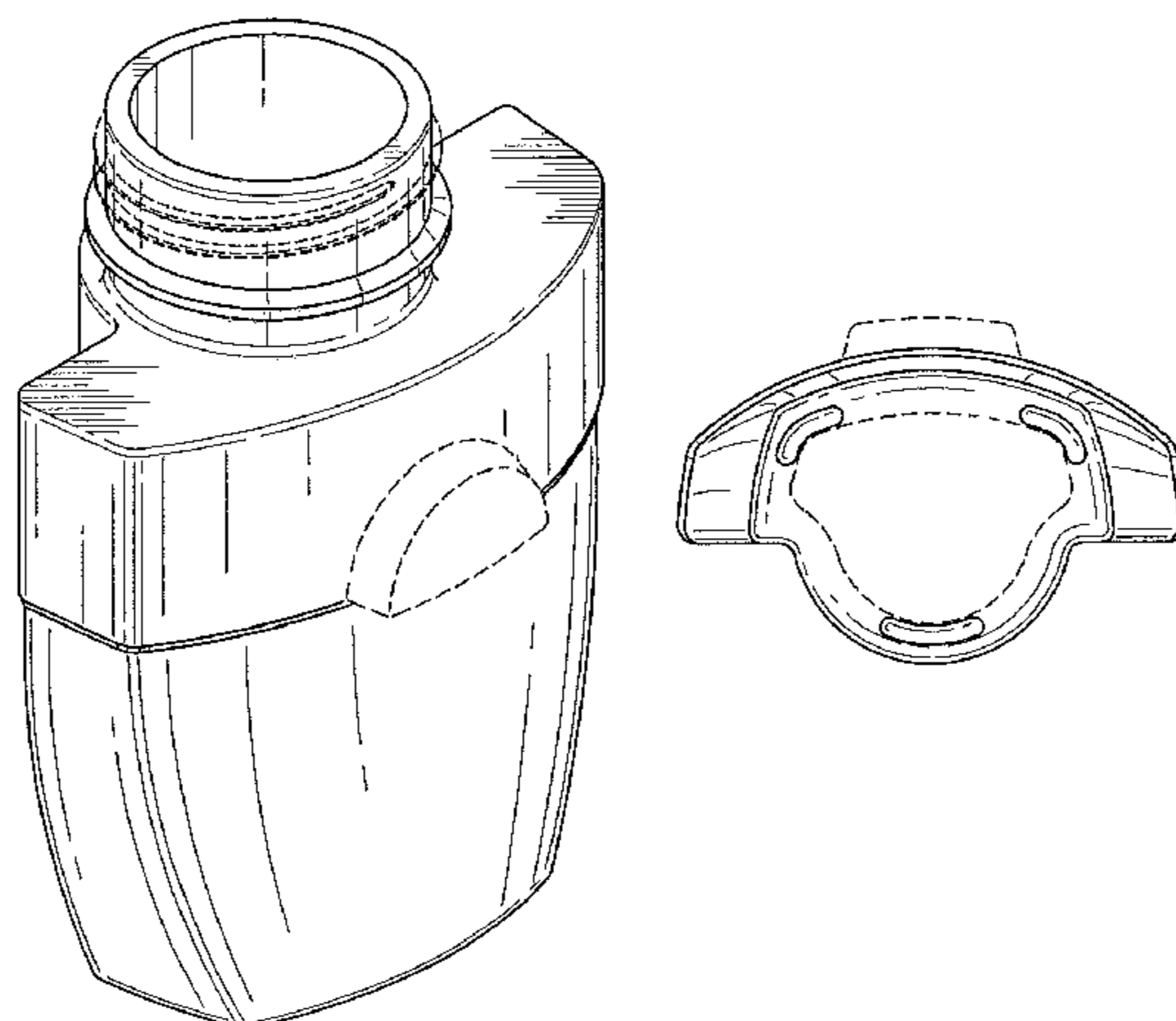
FIG. 5 is a rear elevational view thereof;

FIG. 6 is a left side elevational view thereof; and,

FIG. 7 is a right side elevational view thereof.

The broken lines shown in the drawings are included for the
purpose of showing environmental structure that forms no
part of the claimed design.

1 Claim, 2 Drawing Sheets



US D626,845 S

Page 2

U.S. PATENT DOCUMENTS

| | | | | | | | |
|--------------|-----|---------|-------------------|-------|---------|--|--|
| 6,968,124 | B1 | 11/2005 | Varanasi et al. | | | | |
| 7,014,818 | B2 | 3/2006 | Rymer | | | | |
| D518,730 | S | 4/2006 | Caserta et al. | | | | |
| 7,140,553 | B2 | 11/2006 | Zobebe | | | | |
| D536,979 | S * | 2/2007 | Caserta et al. | | D9/522 | | |
| D536,980 | S * | 2/2007 | Smith et al. | | D9/522 | | |
| D537,351 | S * | 2/2007 | Caserta et al. | | D9/522 | | |
| D537,354 | S * | 2/2007 | Caserta et al. | | D9/543 | | |
| D539,892 | S | 4/2007 | Caserta et al. | | | | |
| 7,209,650 | B2 | 4/2007 | Caserta et al. | | | | |
| D556,582 | S * | 12/2007 | Heijdenrijk | | D9/522 | | |
| D561,883 | S | 2/2008 | Cantoni et al. | | | | |
| D567,920 | S | 4/2008 | Cantoni et al. | | | | |
| D567,923 | S | 4/2008 | Turchi et al. | | | | |
| D568,454 | S | 5/2008 | Bellofatto et al. | | | | |
| D568,978 | S | 5/2008 | Kennedy et al. | | | | |
| RE40,392 | E | 6/2008 | Rymer et al. | | | | |
| D573,705 | S | 7/2008 | Turchi et al. | | | | |
| D582,537 | S | 12/2008 | Kay et al. | | | | |
| D583,038 | S | 12/2008 | Kay et al. | | | | |
| D583,039 | S | 12/2008 | Kay et al. | | | | |
| D583,457 | S | 12/2008 | Kay et al. | | | | |
| D590,270 | S * | 4/2009 | Friedman et al. | | D9/658 | | |
| D604,619 | S * | 11/2009 | Tebe Poves et al. | | D9/522 | | |
| D606,644 | S * | 12/2009 | Butler et al. | | D23/366 | | |
| D617,196 | S * | 6/2010 | Weggelaar | | D9/522 | | |
| D619,464 | S * | 7/2010 | Langley et al. | | D9/522 | | |
| 2002/0172512 | A1 | 11/2002 | Stathakis et al. | | | | |
| 2006/0110144 | A1 | 5/2006 | Fellows et al. | | | | |

* cited by examiner

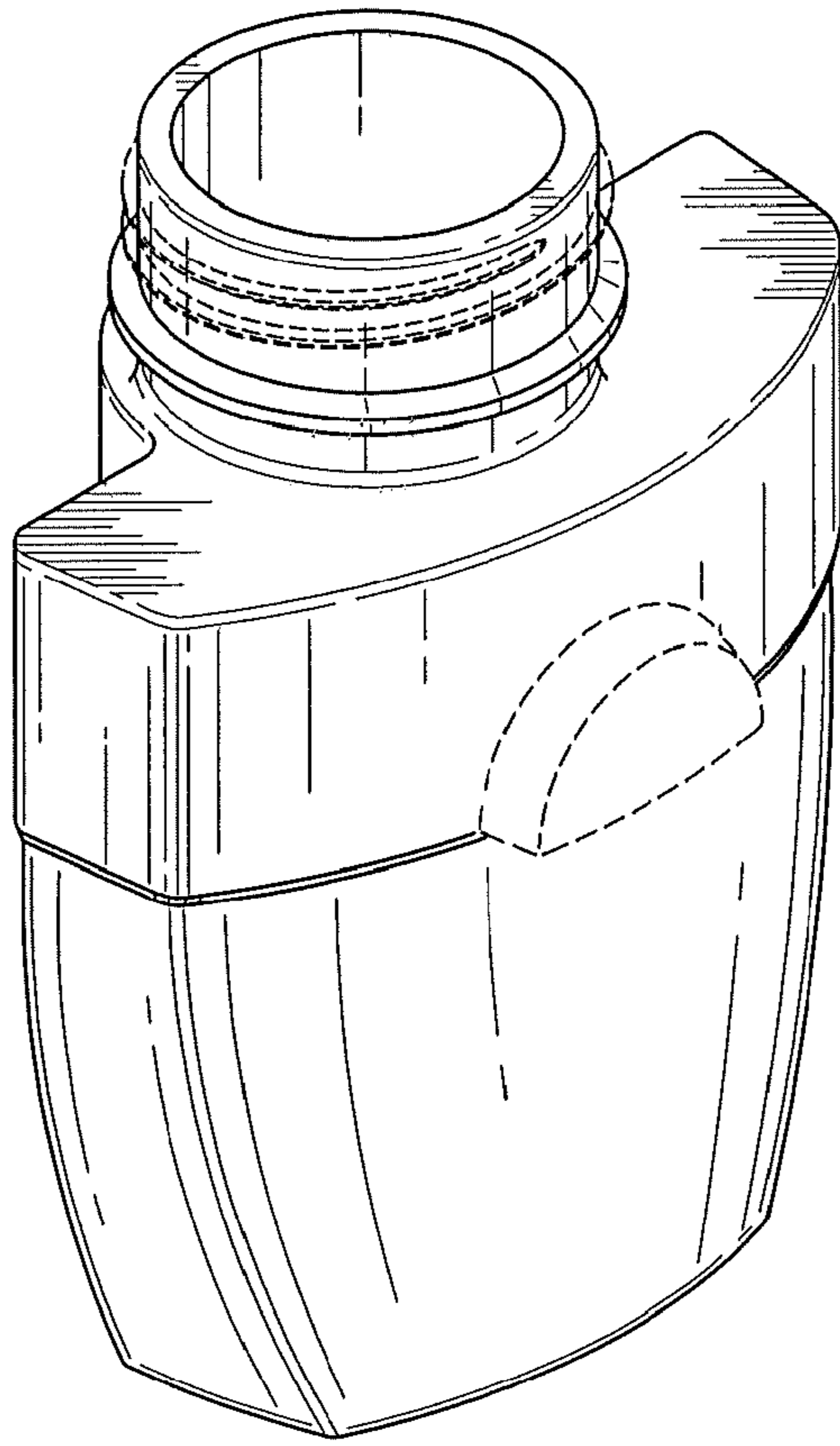


FIG. 1

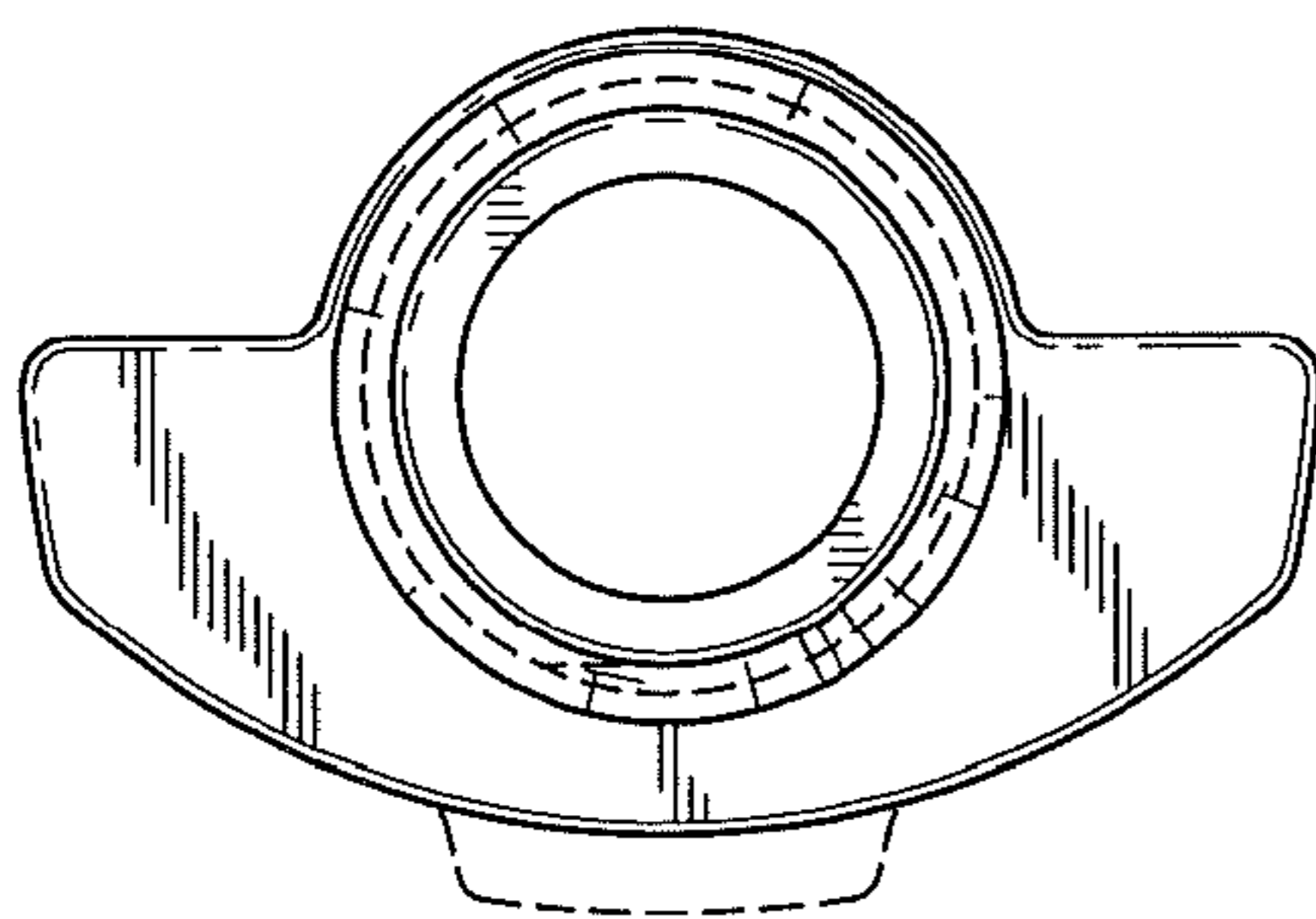


FIG. 2

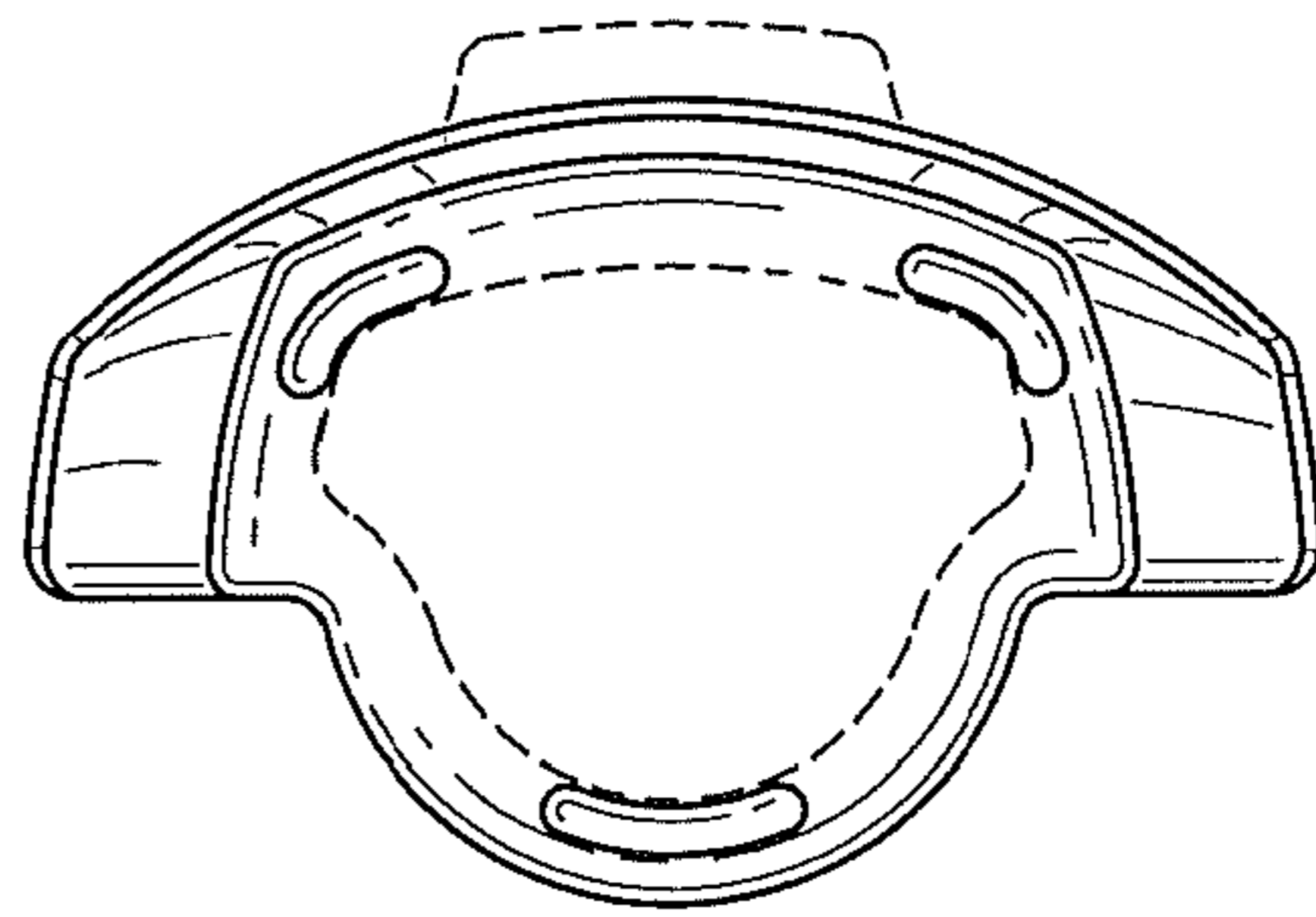


FIG. 3

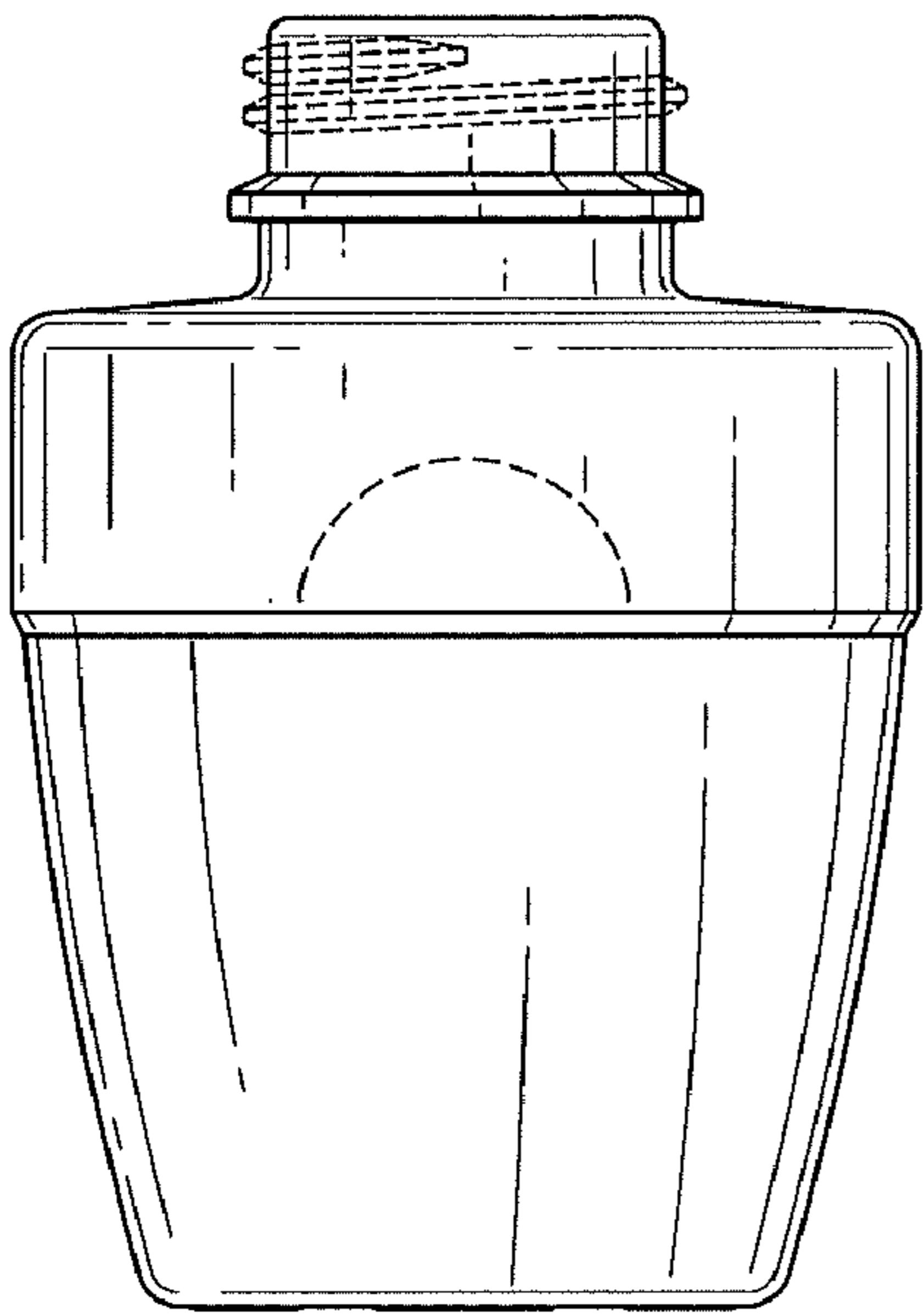


FIG. 4

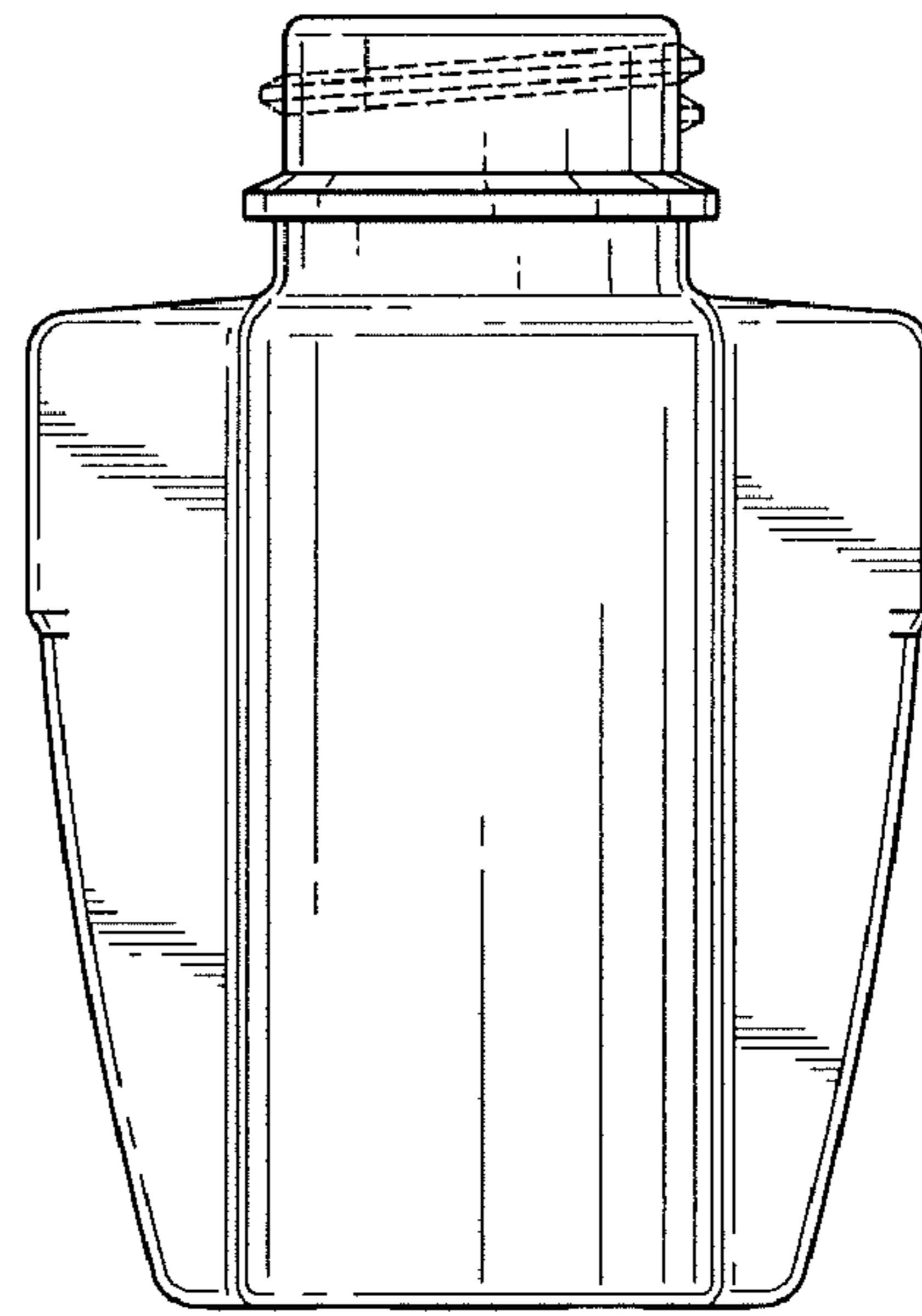


FIG. 5

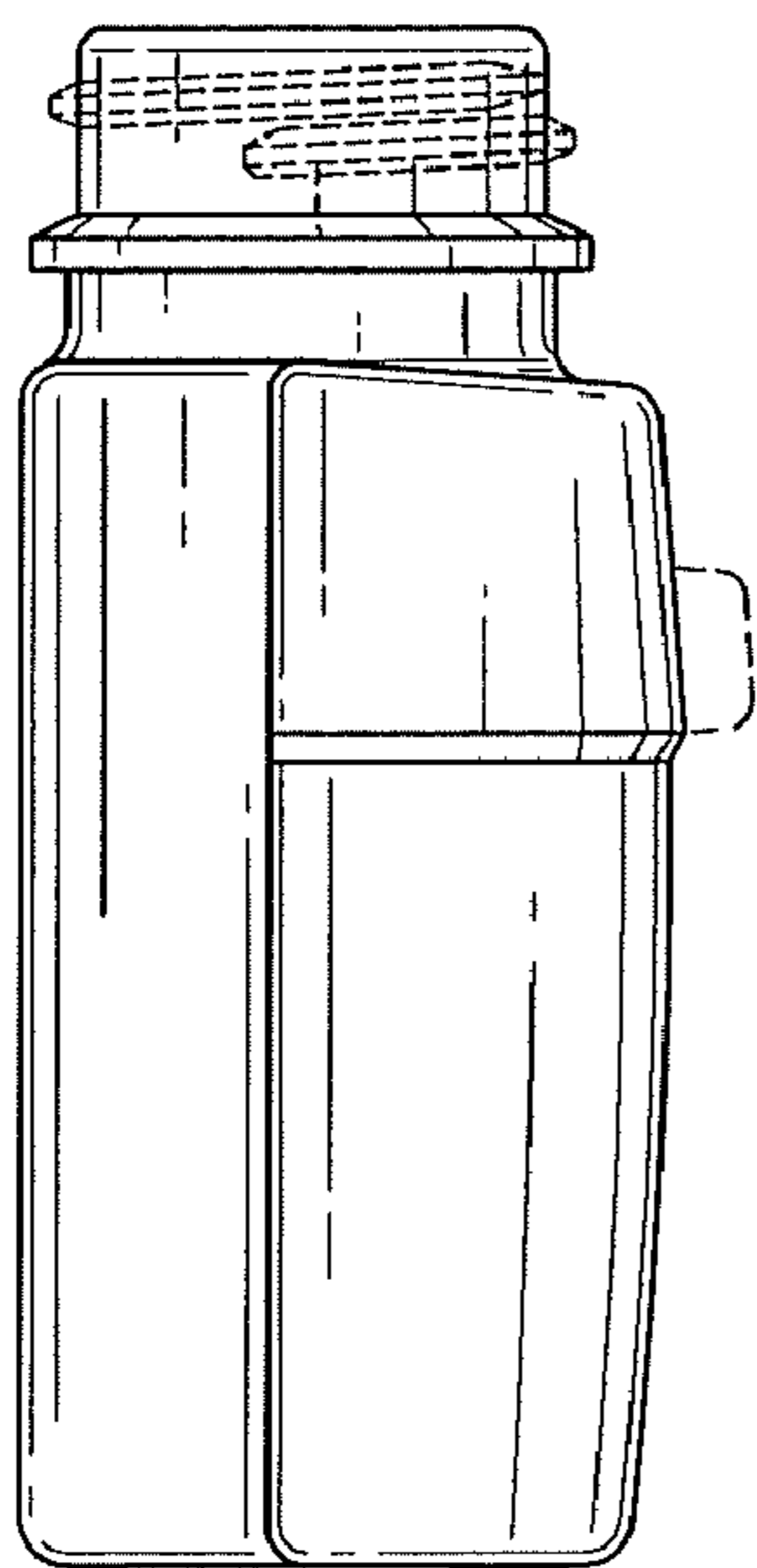


FIG. 6

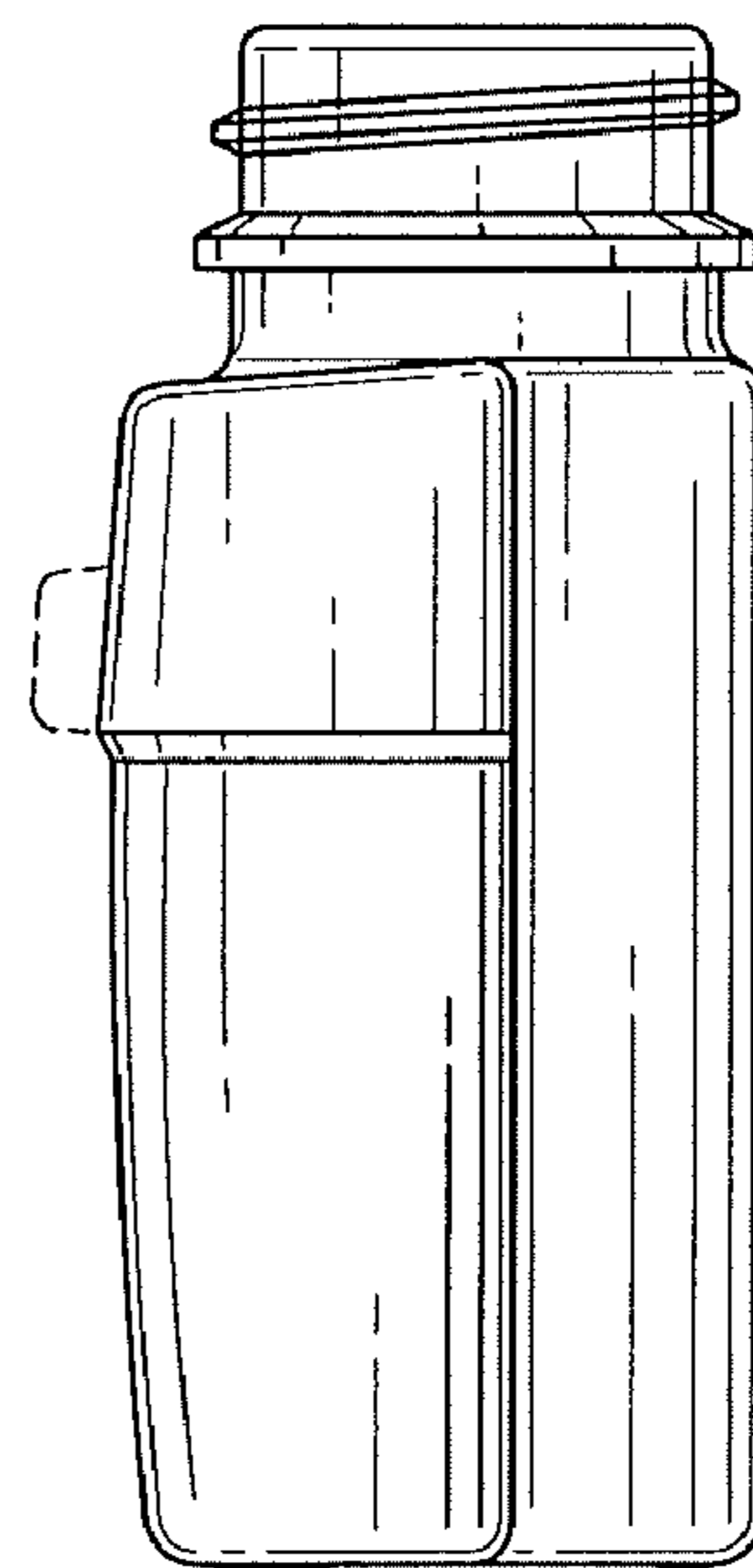


FIG. 7