

US00D626842S

(12) **United States Design Patent**
Rica

(10) **Patent No.:** **US D626,842 S**
(45) **Date of Patent:** **** Nov. 9, 2010**

(54) **CONTAINER**

D100,424 S 7/1936 Guerlain
D158,366 S 5/1950 Fantel
D202,383 S 9/1965 Du Pree

(75) Inventor: **Didier Rica**, Le Mont Saint Adrien (FR)

(73) Assignee: **Saverglass Inc.**, Ramsey, NJ (US)

(**) Term: **14 Years**

(Continued)

(21) Appl. No.: **29/319,403**

FOREIGN PATENT DOCUMENTS

(22) Filed: **Jun. 9, 2008**

AU 109646 11/1990

Related U.S. Application Data

(63) Continuation of application No. 29/223,271, filed on Feb. 14, 2005, now Pat. No. Des. 580,771, and a continuation of application No. 29/250,156, filed on Nov. 3, 2006, now Pat. No. Des. 591,597.

(Continued)

OTHER PUBLICATIONS

www.momastore.com, Houseware Tools.

(30) **Foreign Application Priority Data**

(Continued)

Aug. 13, 2004 (EM) 00215900-0001

Primary Examiner—Ian Simmons

(51) **LOC (9) Cl.** **09-01**

Assistant Examiner—Dana L Sipos

(52) **U.S. Cl.** **D9/516**; D9/560

(74) *Attorney, Agent, or Firm*—Dorsey & Whitney LLP

(58) **Field of Classification Search** D9/505,
D9/516, 535, 544, 545, 546, 560, 571, 572,
D9/573, 574, 575, 682, 686, 687, 694; D7/590,
D7/598; 215/379; 220/660, 662, 663

(57) **CLAIM**

See application file for complete search history.

The ornamental design for a container, as shown and described.

(56) **References Cited**

DESCRIPTION

U.S. PATENT DOCUMENTS

D9,703 S 1/1877 Francis et al.
D20,581 S 3/1891 Rheinstrom
D20,792 S 6/1891 Rodiger
D39,215 S 3/1908 Garrett
D41,238 S 3/1911 Brawner
D41,559 S 7/1911 Marsters
D76,990 S 11/1928 Curran
D78,140 S 4/1929 Binks
D79,944 S 11/1929 Teague
D82,881 S 12/1930 Fuerst
D84,593 S 7/1931 Piazzoli
D91,366 S 1/1934 Piazzoli
D92,640 S 6/1934 Ennever

FIG. 1 is a top, front perspective view of a container showing my new design;

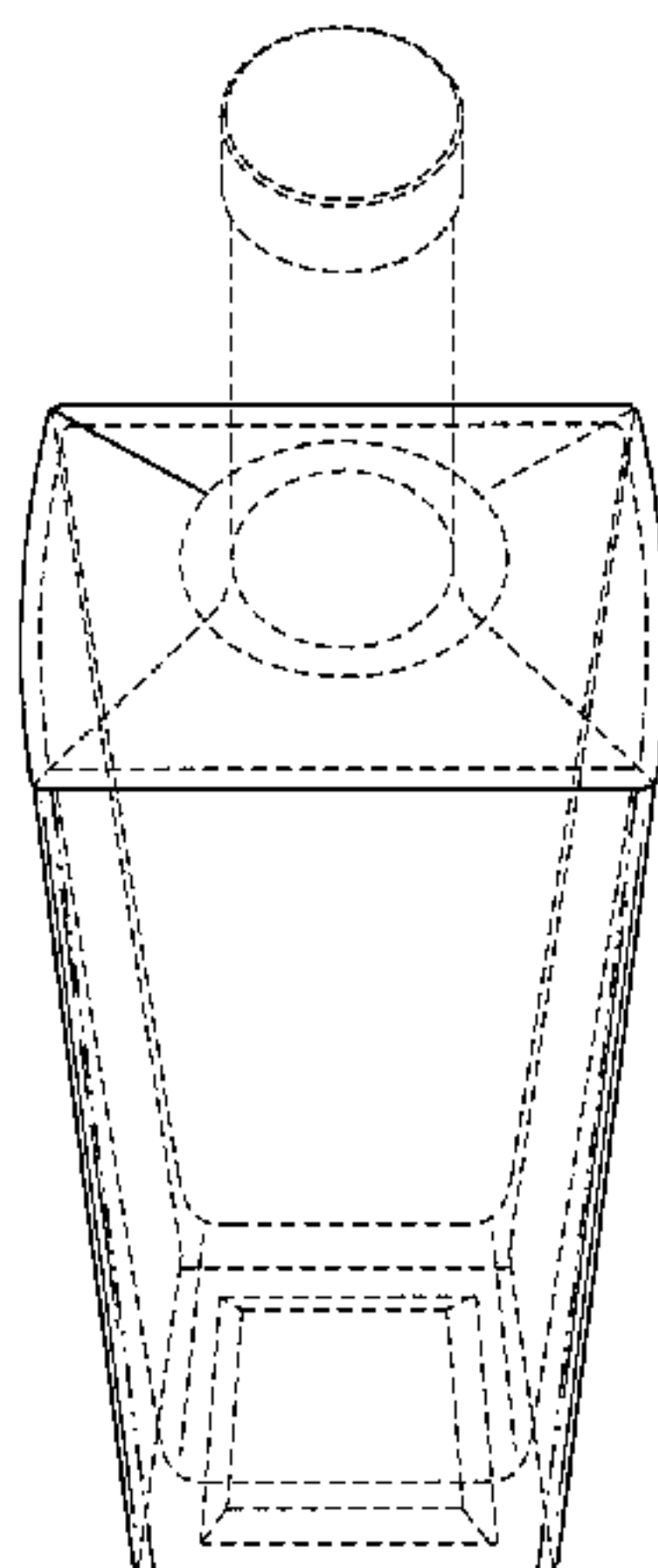
FIG. 2 is a right side elevation view thereof;

FIG. 3 is a left side elevation view thereof; and,

FIG. 4 is a top plan view thereof.

The evenly dashed broken lines in the drawings illustrate the portions of the design that form no part of the claim. The dot-dot-dash broken lines in the drawings define the bounds of the claim and form no part thereof.

1 Claim, 3 Drawing Sheets



US D626,842 S

U.S. PATENT DOCUMENTS

D233,738 S	11/1974	Latorre	
D268,988 S	5/1983	Hirsh	
D325,523 S	4/1992	Restrepo	
D331,367 S	12/1992	Armstrong	
D343,580 S	1/1994	Reynaud	D9/560
D345,698 S	4/1994	Gobe	D9/571
D352,906 S	11/1994	Gobe	
D365,991 S	1/1996	Varlet	
D369,559 S	5/1996	Vilval	
D387,668 S	12/1997	Bond	
D411,749 S	6/1999	Nahum-Albright	
D416,807 S	11/1999	Varlet	
D426,466 S	6/2000	Nevins et al.	
D432,922 S	10/2000	Gose	D9/571
D436,852 S	1/2001	Chan	
D450,597 S	11/2001	Bobchenok et al.	D9/571
D459,660 S	7/2002	Burger	
D465,735 S	11/2002	Woodall	
D484,419 S	12/2003	Potocki et al.	
D486,072 S	2/2004	Potocki et al.	
D499,338 S	12/2004	Mulder et al.	
D512,920 S	12/2005	Kim	
D515,940 S	2/2006	Kratko	
D522,872 S	6/2006	Lescaux	
D526,206 S	8/2006	Varlet	
D530,211 S	10/2006	Llyod	
D530,212 S	10/2006	Dar et al.	
D531,911 S	11/2006	Lloyd	
D545,213 S	6/2007	Werner	
D547,661 S	7/2007	Blasko et al.	
D548,095 S	8/2007	McGuinness	
D586,659 S	2/2009	Delbon	

FOREIGN PATENT DOCUMENTS

AU	128627	11/1996
AU	139427	12/1999
AU	305723	2/2006
AU	307148	5/2006
CA	98826	8/2003
EM	000426523-0001	1/2006

EM	000439401-0002	1/2006
EM	000440573-0001	1/2006
FI	22938	11/2002
FI	23369	8/2003
FI	23643	7/2004
GB	2014990	1/1992
GB	2070378	9/1997
GB	2104309	3/2001
GB	3021474	6/2005
WO	DM049661	10/1999
WO	DM/055635	5/2000
WO	DM057111	4/2001
WO	DM/060105	5/2002
WO	DM063101	3/2003
WO	DM064332	5/2003
WO	DM/065332	10/2003
WO	DM/065406	5/2004
WO	DM/065442	6/2004

OTHER PUBLICATIONS

www.tias.com, Wonderful Tapered Perfume Flask.
Office Action dated Jun. 7, 2007 issued for U.S. Appl. No. 29/250,156.
“Toilets: CH-39”, Class Containers, Owens-Illinois Glass Co., OH, p. CH 18, D9.
“X Panels”, Whitall Tatum Co.—Price List, Factories: Millville, NJ, © 1908, p. 18, D9.
“Relish/Chow: C-433”, Glass Containers, Owens-Illinois Class Co., OH, p. F 64, D9.
Office Action mailed Jul. 10, 2007 for U.S. Appl. No. 29/250,156.
Office Action dated Jul. 12, 2007 for U.S. Appl. No. 29/223,271, filed Feb. 14, 2005.
Office Action dated Sep. 14, 2007 for U.S. Appl. No. 29/250,156, filed Nov. 3, 2006.
Bormioli Rocco Catalogue, pp. 54, 55, Back Cover, date listed on document as 2003.
Bormioli Rocco Catalogue, Pages: Front Cover, 80, 81, Back Cover, date listed on document.
Documents Related to a Vetri Speciali Bottle (Vecchia Era) Alleged by a Third Party to have been created and sold prior to Applicant’s Filing Date (Portions of Documents have been redacted, 10 pages.

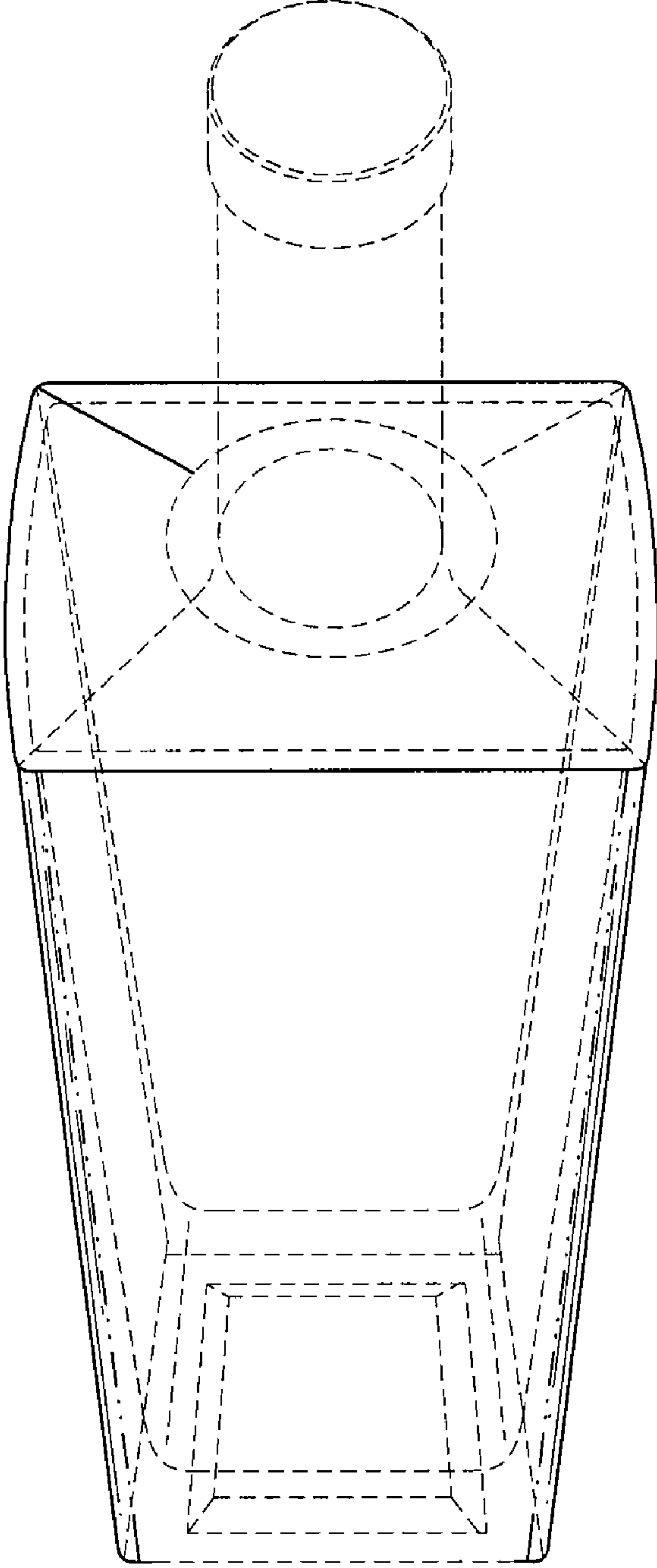


FIG. 1

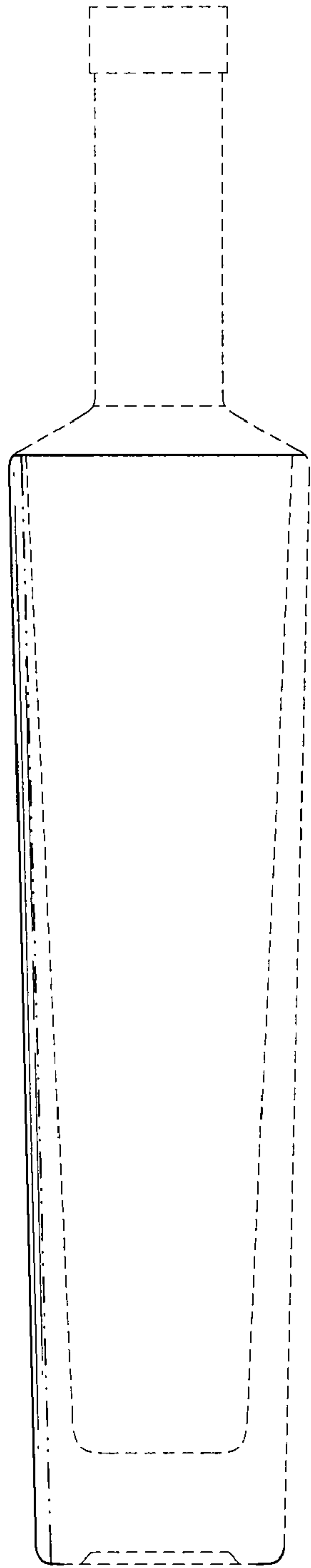


FIG. 2

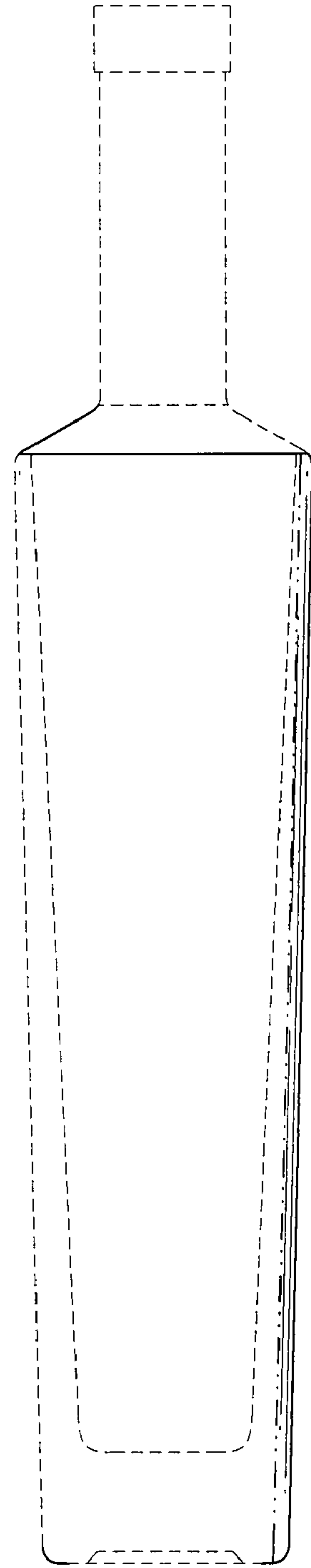


FIG. 3

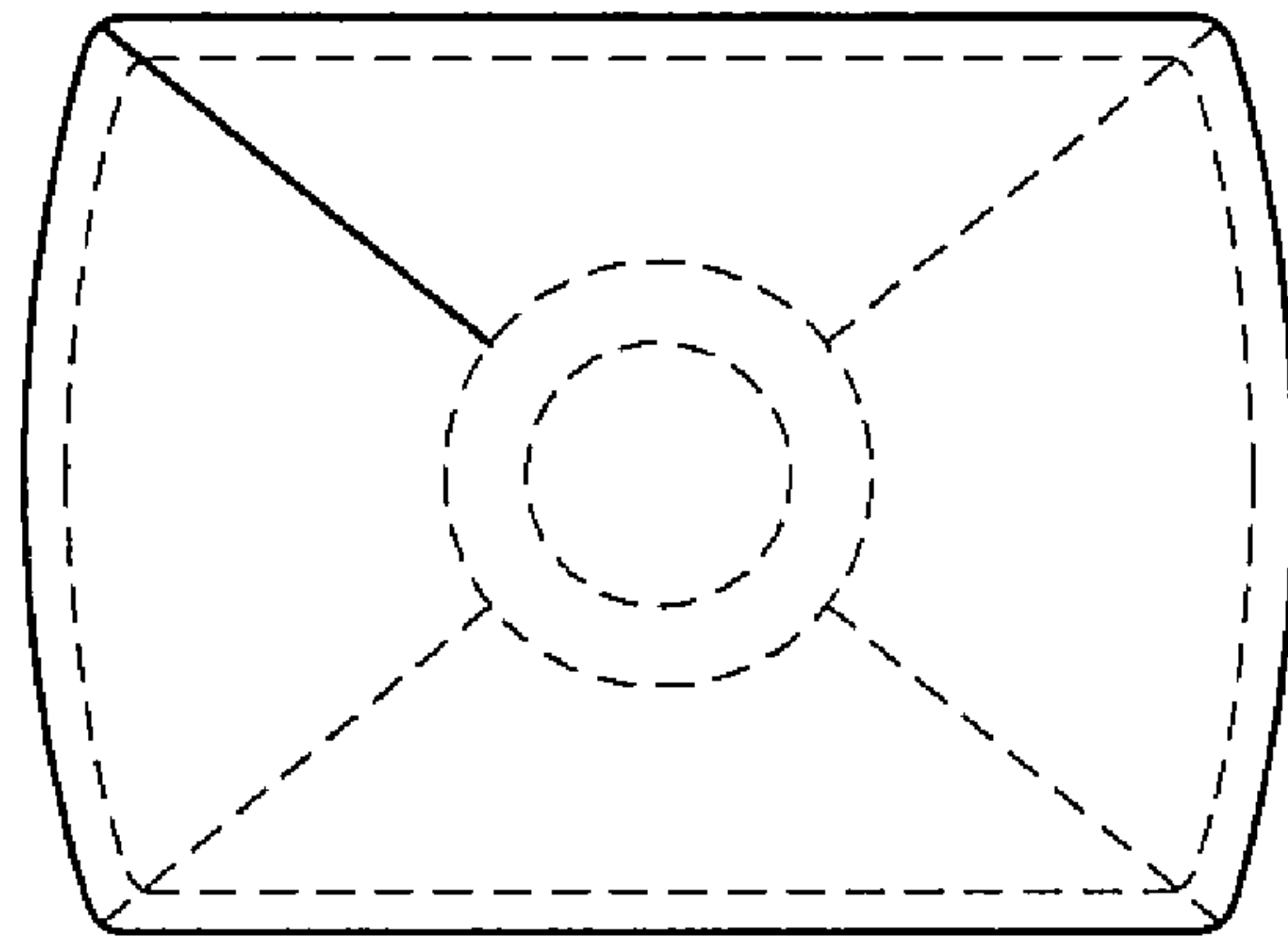


FIG.4