



US00D626841S

(12) **United States Design Patent**
Russo

(10) **Patent No.:** **US D626,841 S**

(45) **Date of Patent:** **** Nov. 9, 2010**

(54) **CONTAINER**

(75) Inventor: **Lionel Russo**, Strasbourg (FR)

(73) Assignee: **Mars, Incorporated**, McLean, VA (US)

(**) Term: **14 Years**

(21) Appl. No.: **29/338,872**

(22) Filed: **Jun. 19, 2009**

(30) **Foreign Application Priority Data**

Dec. 22, 2008 (EM) 001061071-0001

(51) **LOC (9) Cl.** **09-01**

(52) **U.S. Cl.** **D9/500; D9/414; D7/537**

(58) **Field of Classification Search** D9/500,
D9/502-505, 516, 549, 557-558, 682, 686,
D9/688, 690, 692; D7/505, 509-511, 541,
D7/550.1, 553.1, 553.6-553.7, 554.2, 554.4,
D7/555, 587, 601-602, 605, 608, 629; 215/11.1,
215/379, 381-382; 220/660, 662, 665, 669-673,
220/675, 677, 680

See application file for complete search history.

(56) **References Cited**

U.S. PATENT DOCUMENTS

D458,086 S * 6/2002 Marks et al. D7/605

D490,978 S * 6/2004 Breyer D3/313
D608,155 S * 1/2010 Jeffries D7/603

* cited by examiner

Primary Examiner—Ian Simmons

Assistant Examiner—Dana L Sipos

(74) *Attorney, Agent, or Firm*—Arent Fox LLP

(57) **CLAIM**

The ornamental design for a container, as shown and described.

DESCRIPTION

FIG. 1 is a perspective view of a container showing my new design;

FIG. 2 is a front view of the design shown in FIG. 1, the rear view being a mirror image thereof;

FIG. 3 is a top view of the design shown in FIG. 1;

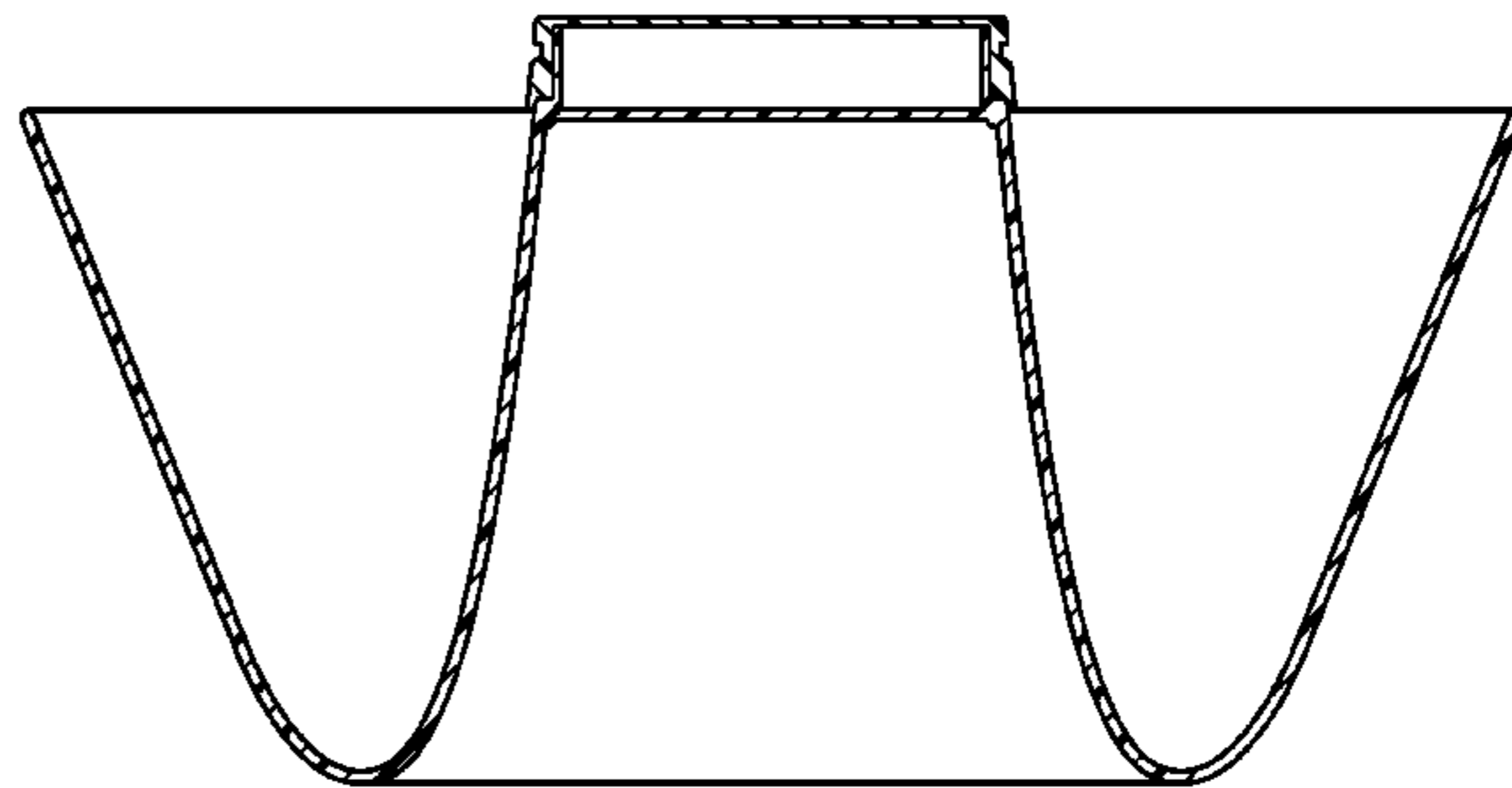
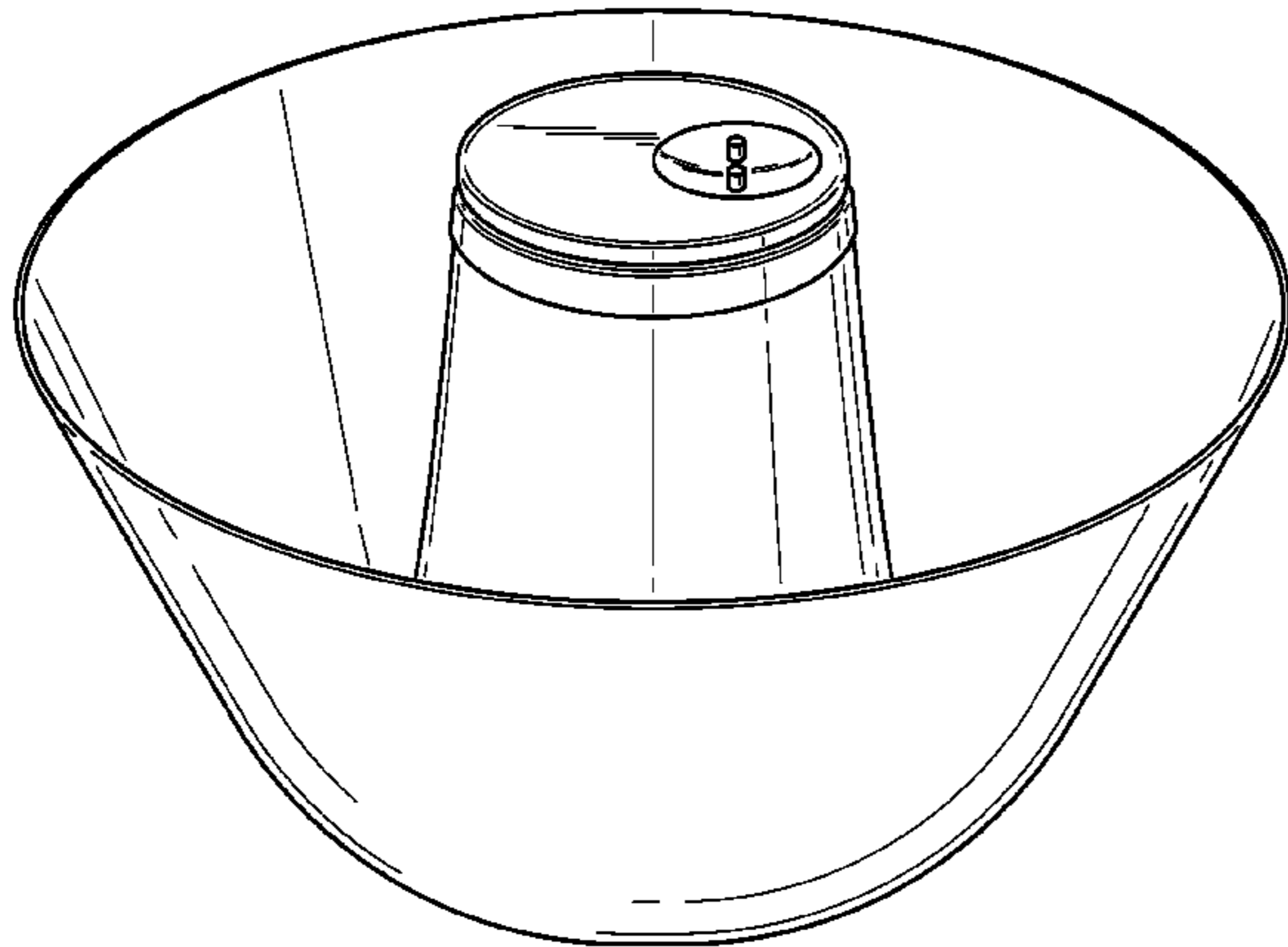
FIG. 4 is a bottom view of the design shown in FIG. 1;

FIG. 5 is a cross sectional view of the design taken along the lines 5—5 as shown in FIG. 2; and,

FIG. 6 is a perspective view of the design shown in FIG. 1.

The broken line showing of a mounted display item in FIG. 6 is for the purpose of illustrating an environmental structure and forms no part of the claimed design.

1 Claim, 6 Drawing Sheets



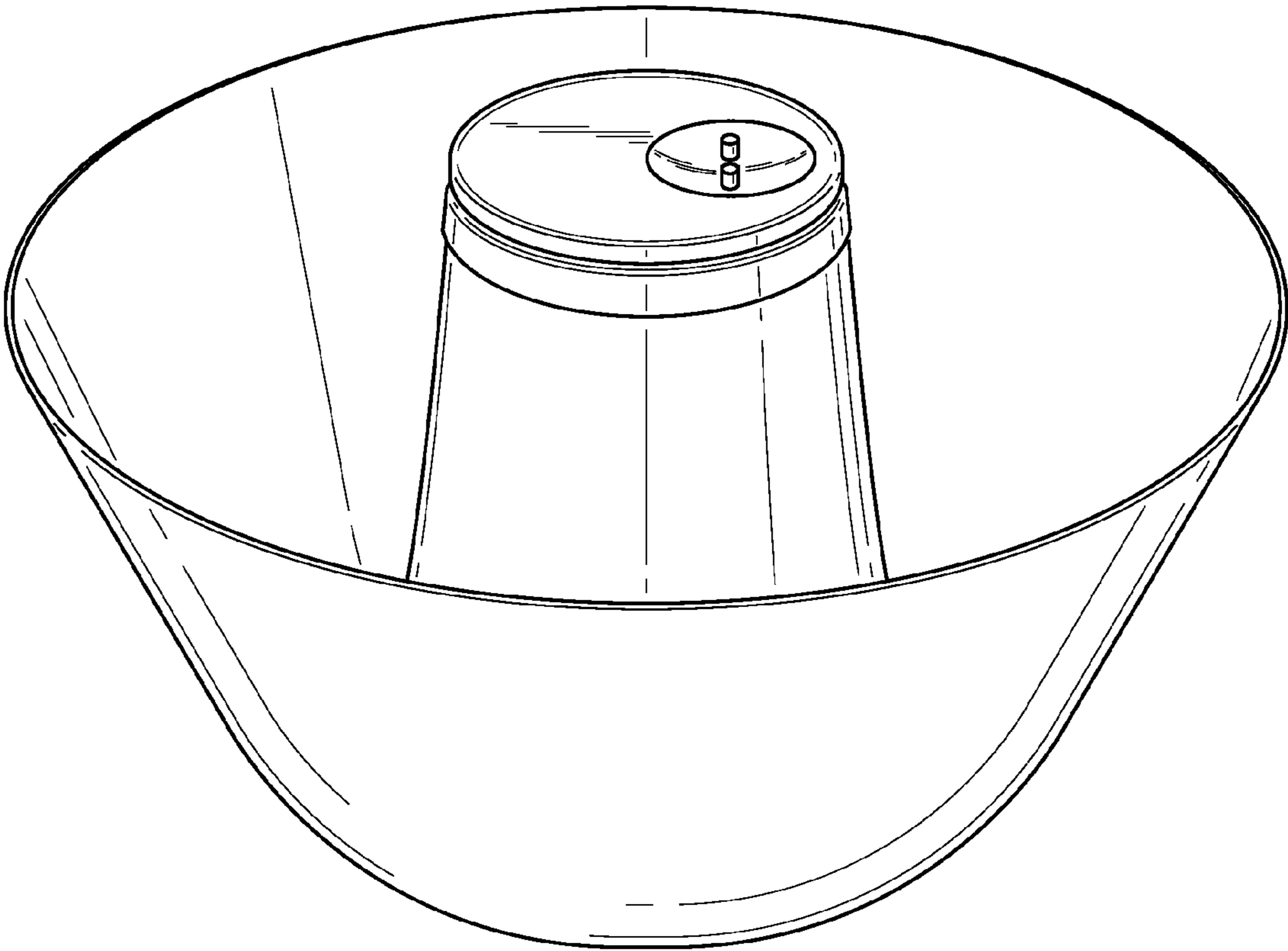


FIG.1

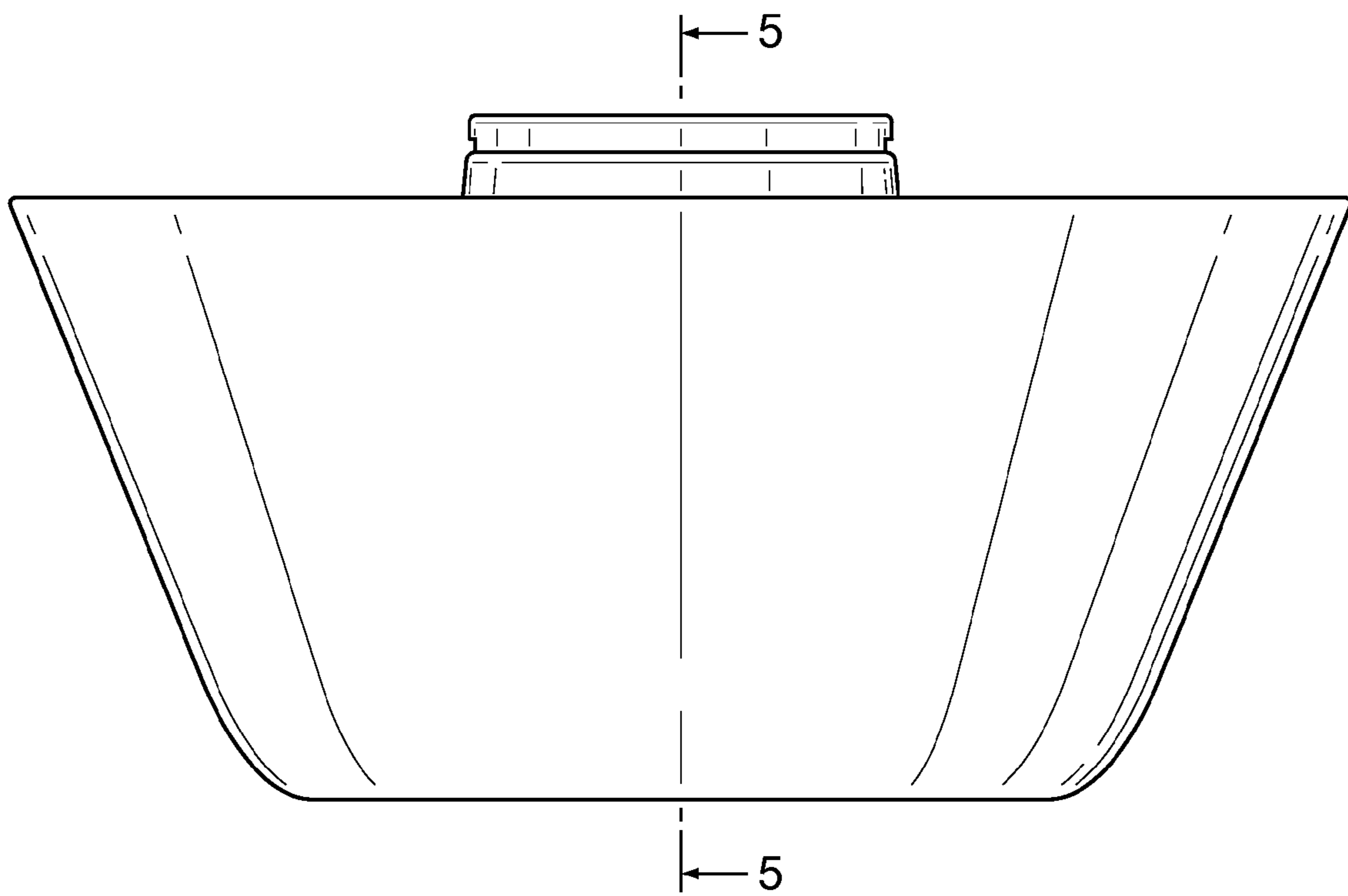


FIG.2

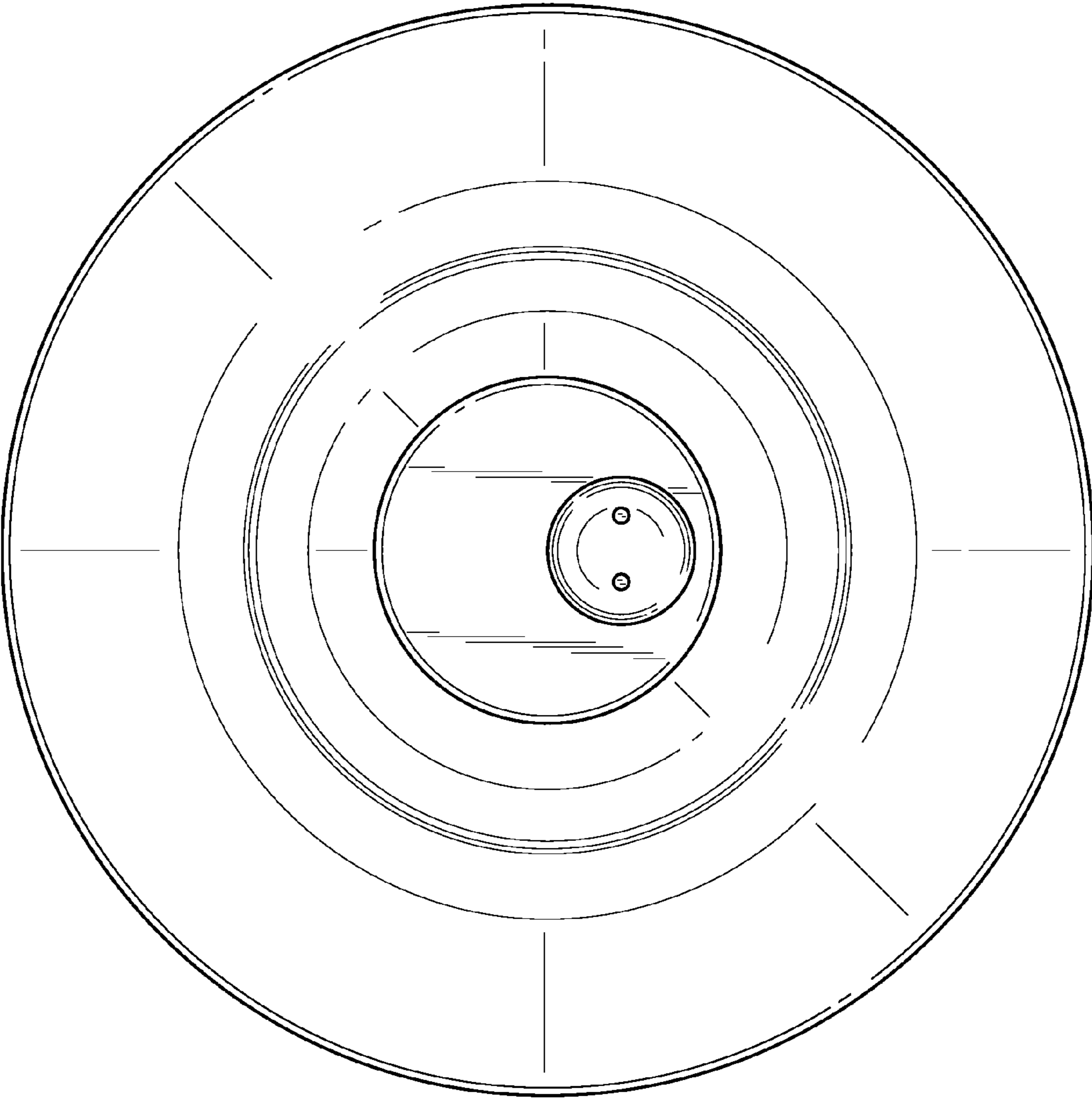


FIG.3

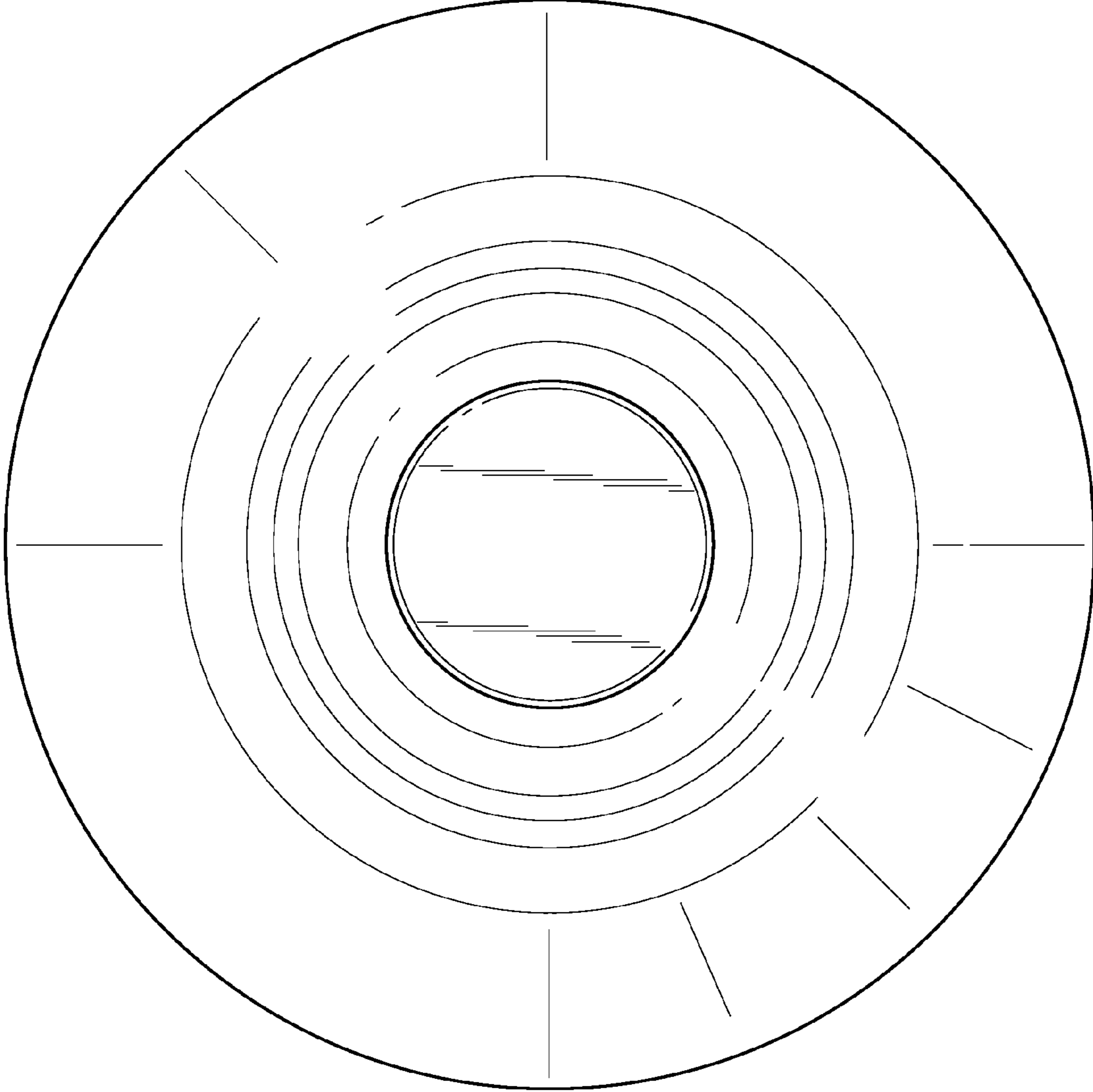


FIG.4

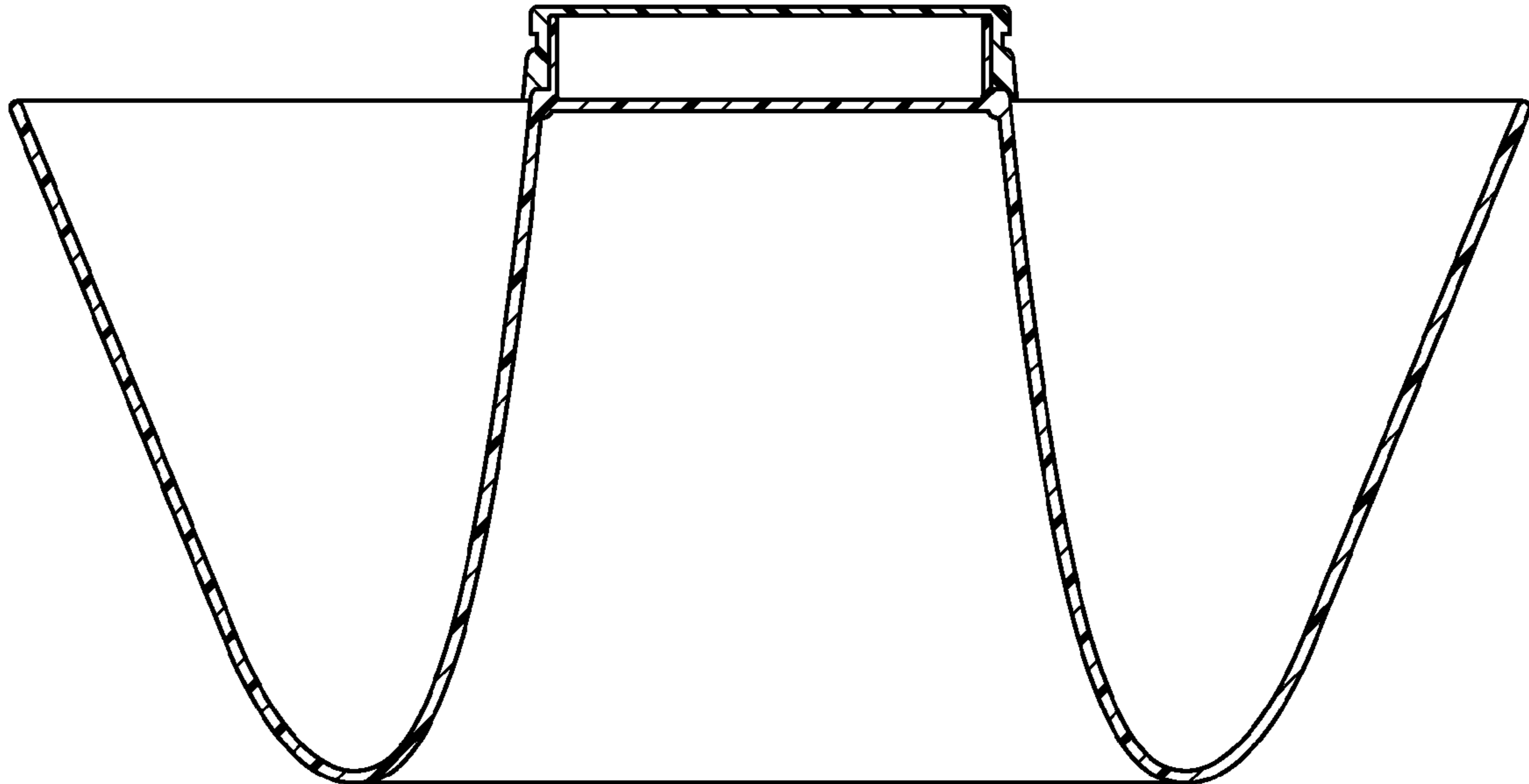


FIG.5

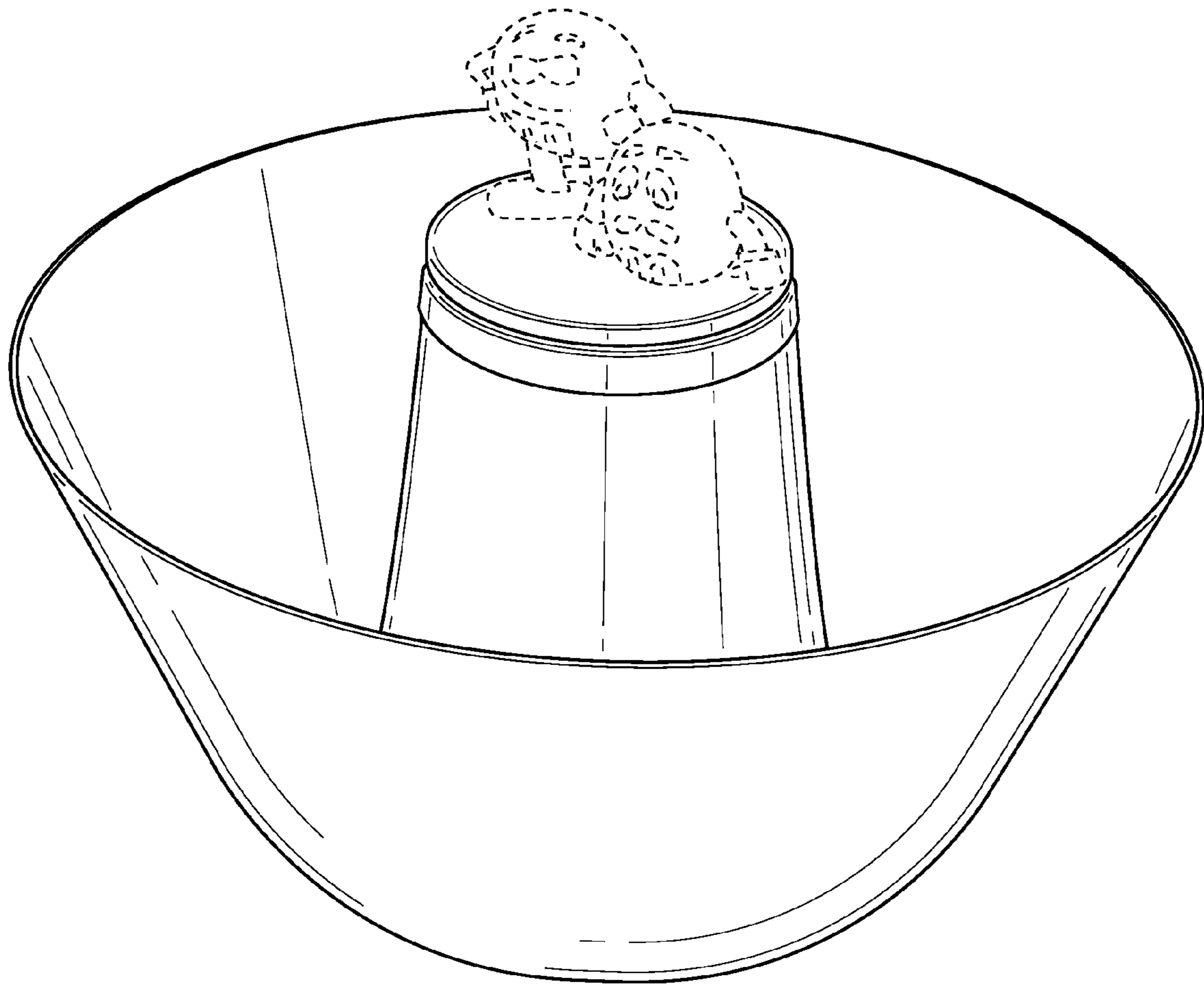


FIG.6