



US00D626840S

(12) **United States Design Patent**
Hall

(10) **Patent No.:** **US D626,840 S**

(45) **Date of Patent:** **** *Nov. 9, 2010**

(54) **BOTTLE**

(75) Inventor: **Mark Hall**, Murrieta, CA (US)

(73) Assignee: **Hansen Beverage Company**, Corona, CA (US)

(**) Term: **14 Years**

(21) Appl. No.: **29/323,595**

(22) Filed: **Aug. 27, 2008**

(51) **LOC (9) Cl.** **09-01**

(52) **U.S. Cl.** **D9/500; D9/520; D9/551**

(58) **Field of Classification Search** D9/500,
D9/502-505, 516, 529, 537-539, 549-550,
D9/558, 763-764, 772, 602, 667; 215/379,
215/381-384; 220/660, 669-673, 675
See application file for complete search history.

(56) **References Cited**

U.S. PATENT DOCUMENTS

D81,520 S *	7/1930	Bromiley	D9/500
D90,433 S *	8/1933	Borokoff	D9/502
3,331,521 A *	7/1967	Paige	215/382
D209,100 S *	10/1967	Du Pree et al.	D9/602
D216,778 S *	3/1970	Stone	D7/303
D249,330 S *	9/1978	Pigeon	D9/502
D268,395 S *	3/1983	Humphries	D9/503
D270,520 S *	9/1983	Strand	D9/500
D305,984 S *	2/1990	Alberghini et al.	D9/500
D330,334 S	10/1992	Rusnock et al.		
D363,026 S	10/1995	Sillince et al.		
D364,347 S	11/1995	Sillince et al.		
D379,150 S *	5/1997	Richardson	D9/500
D407,648 S *	4/1999	Glaser et al.	D9/500
D413,511 S	9/1999	Guthrie et al.		
D458,144 S	6/2002	Trabal		

D475,926 S	6/2003	Rusnock et al.		
D563,230 S *	3/2008	Watts	D9/538
D563,231 S *	3/2008	Watts	D9/538

* cited by examiner

Primary Examiner—Carol Rademaker

Assistant Examiner—Dana L Sipos

(74) *Attorney, Agent, or Firm*—Knobbe, Martens, Olson & Bear, LLP

(57) **CLAIM**

The ornamental design for a bottle, as shown and described.

DESCRIPTION

FIG. 1 is a front elevation view of a first embodiment of a bottle embodying my new design.

FIG. 2 is a top plan view thereof.

FIG. 3 is a bottom plan view thereof.

FIG. 4 is a front elevation view of a second embodiment of a bottle embodying my new design.

FIG. 5 is a top plan view thereof.

FIG. 6 is a bottom plan view thereof.

FIG. 7 is a front elevation view of a third embodiment of a bottle embodying my new design.

FIG. 8 is a top plan view thereof.

FIG. 9 is a bottom plan view thereof.

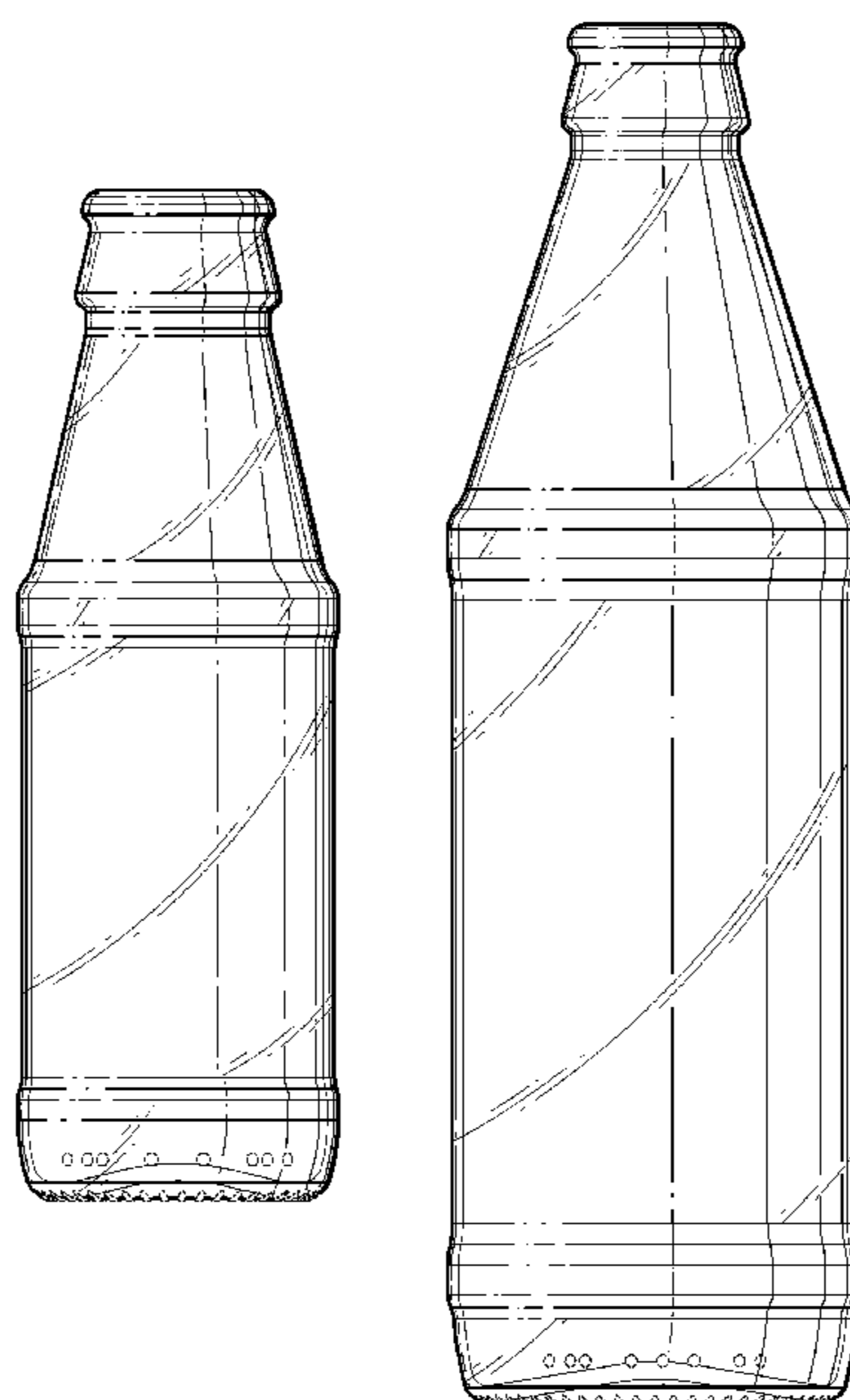
FIG. 10 is a front elevation view of a fourth embodiment of a bottle embodying my new design.

FIG. 11 is a top plan view thereof; and,

FIG. 12 is a bottom plan view thereof.

Portions shown in phantom lines are for illustrative purposes only and form no part of the claimed design.

1 Claim, 4 Drawing Sheets



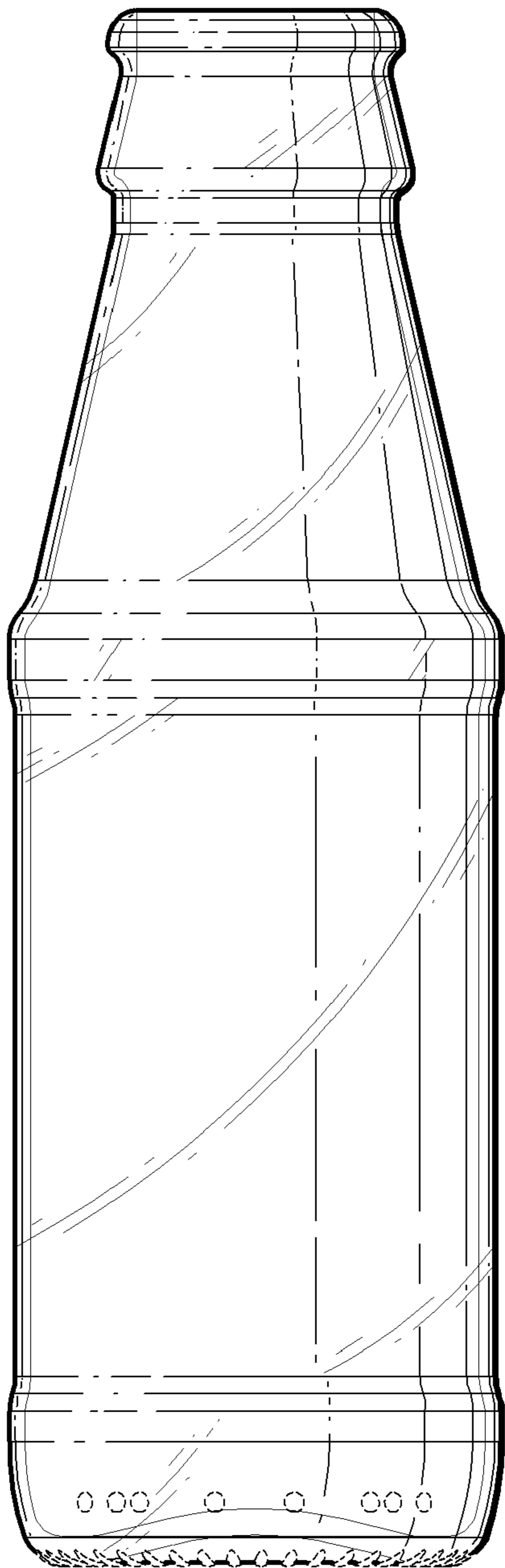


FIG. 1

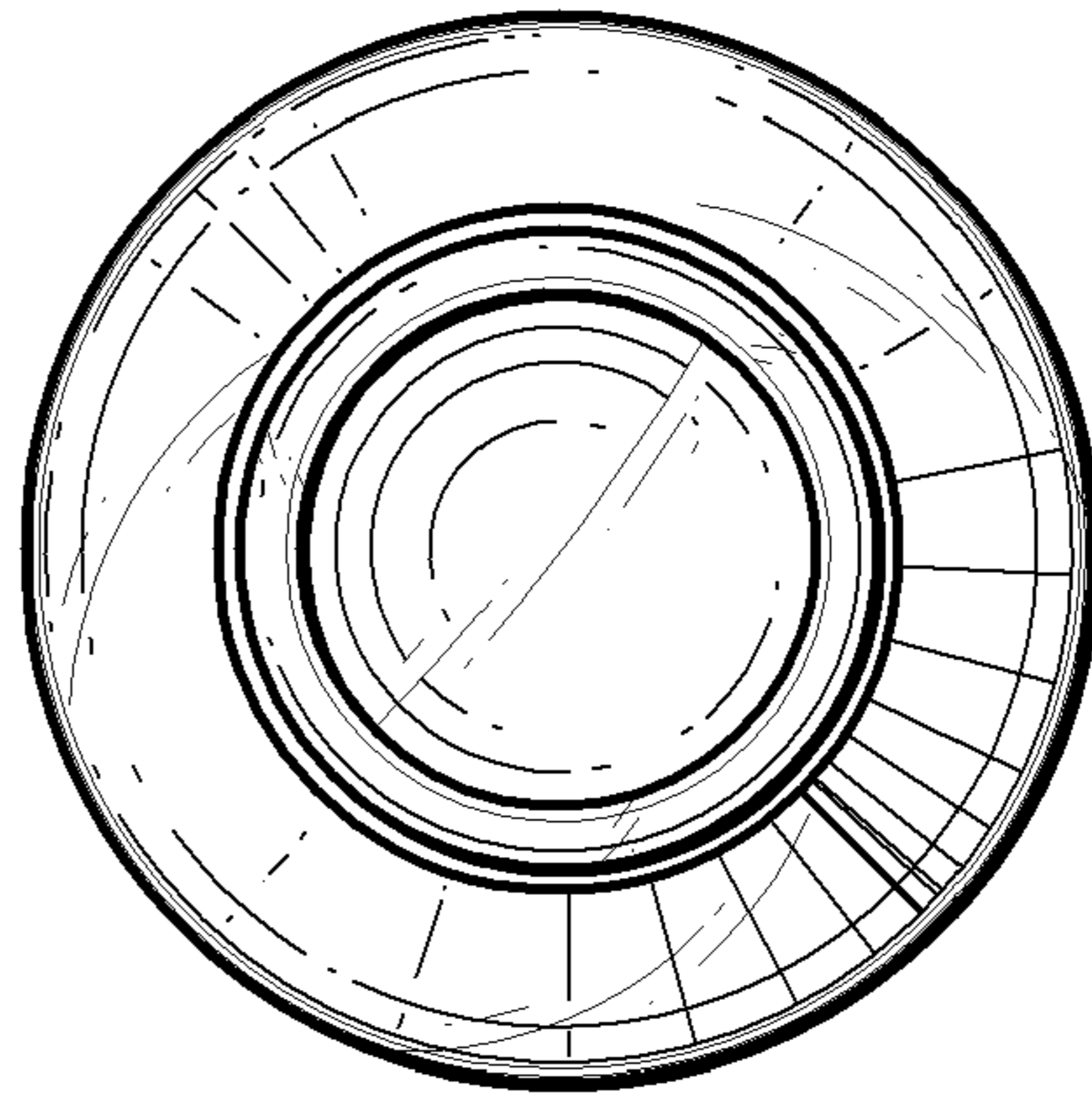


FIG. 2

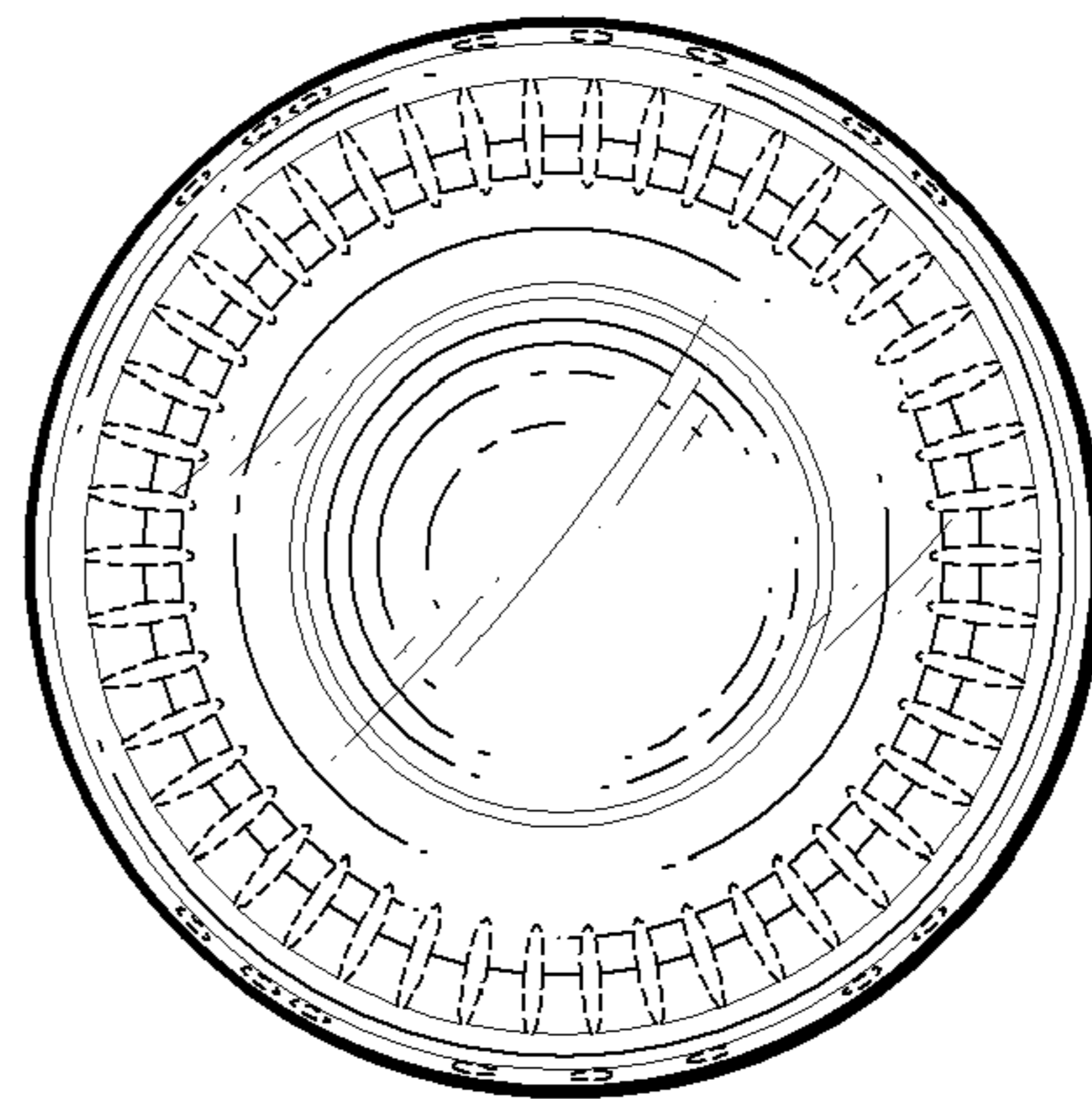


FIG. 3

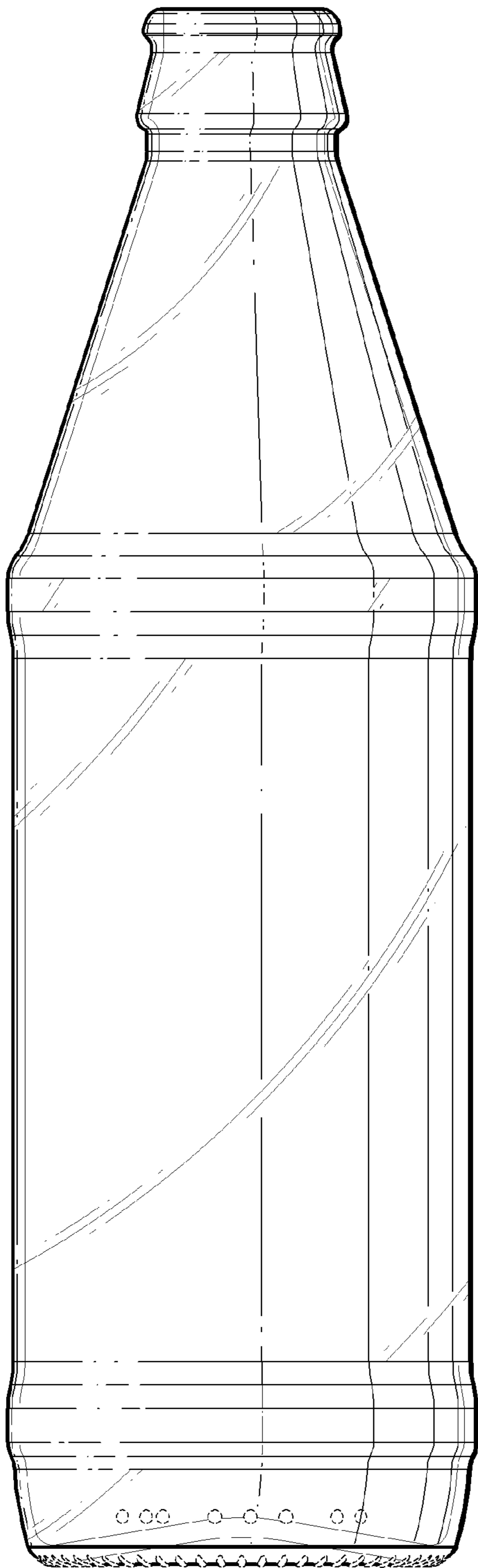


FIG. 4

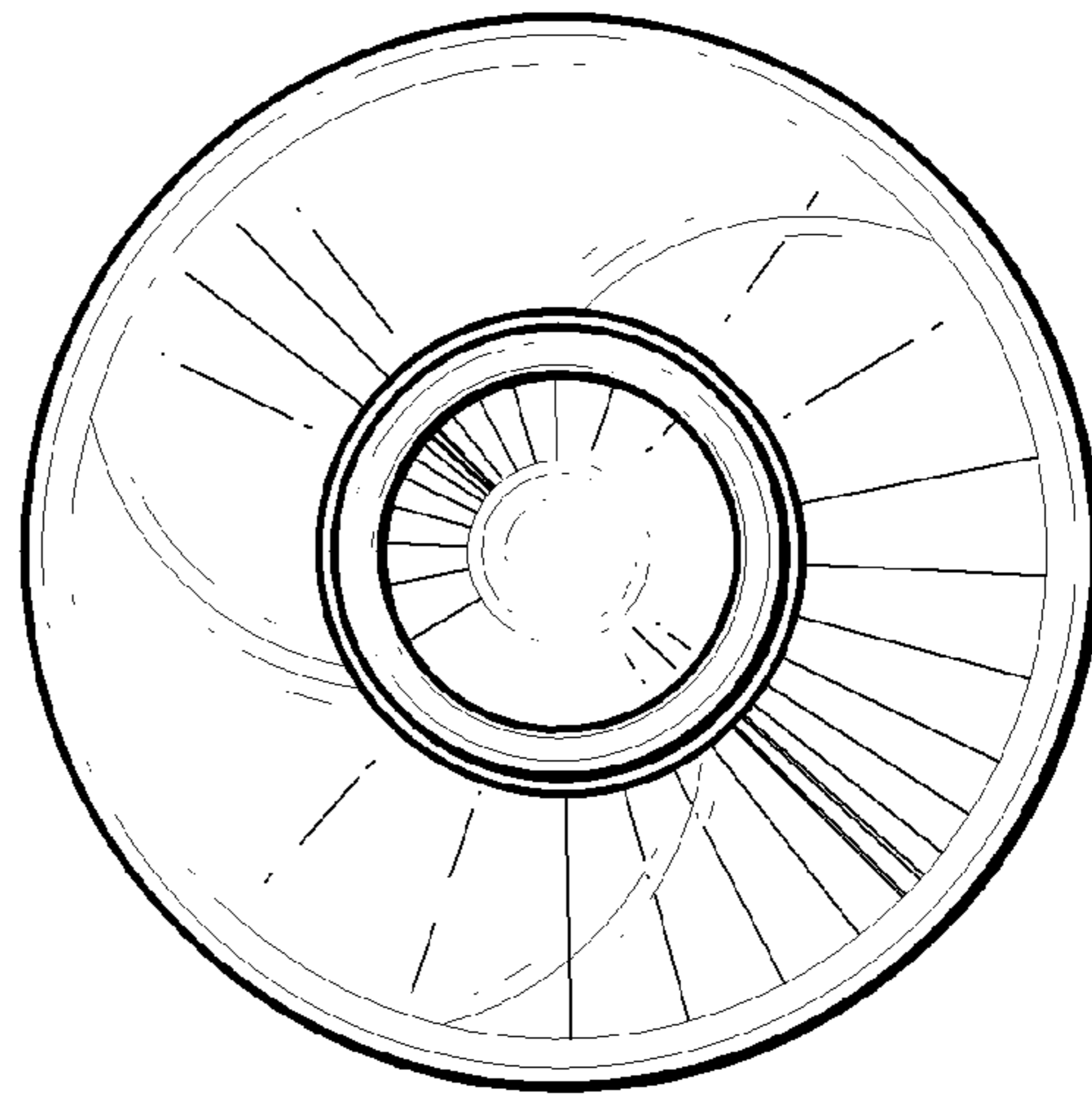


FIG. 5

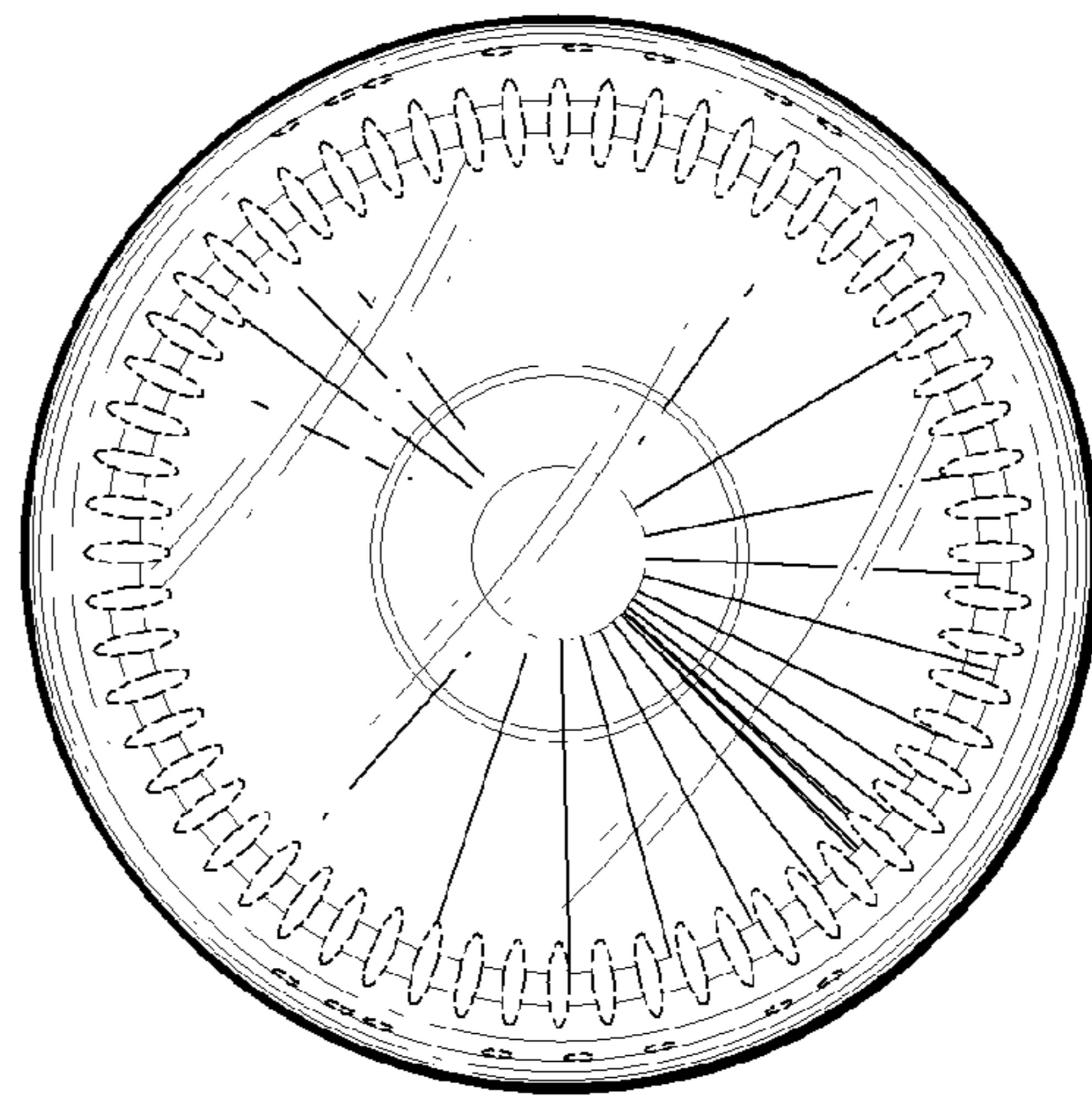


FIG. 6

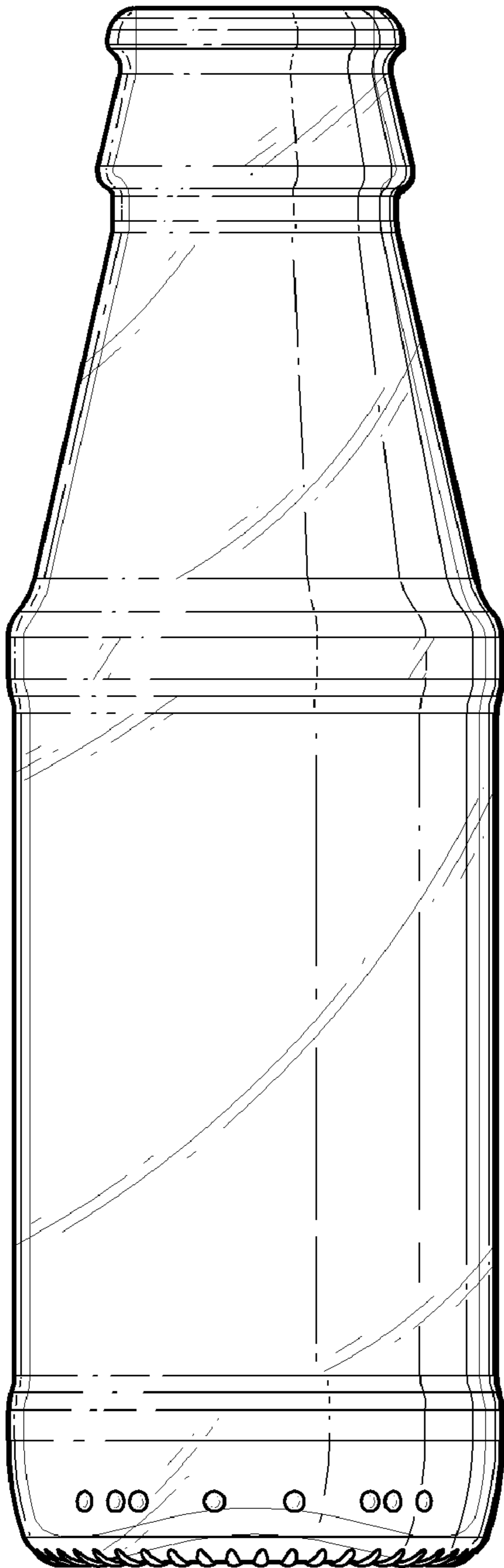


FIG. 7

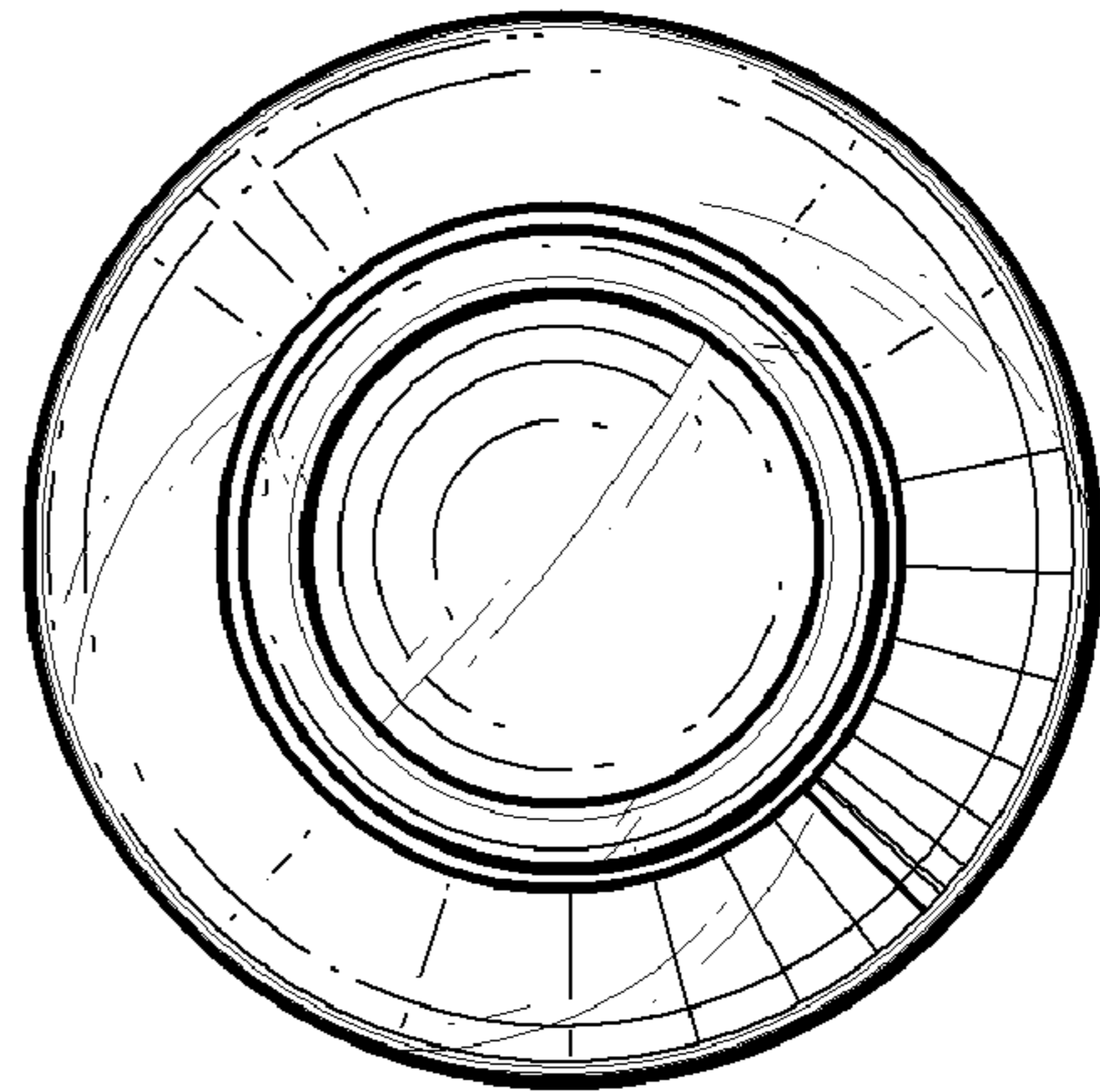


FIG. 8

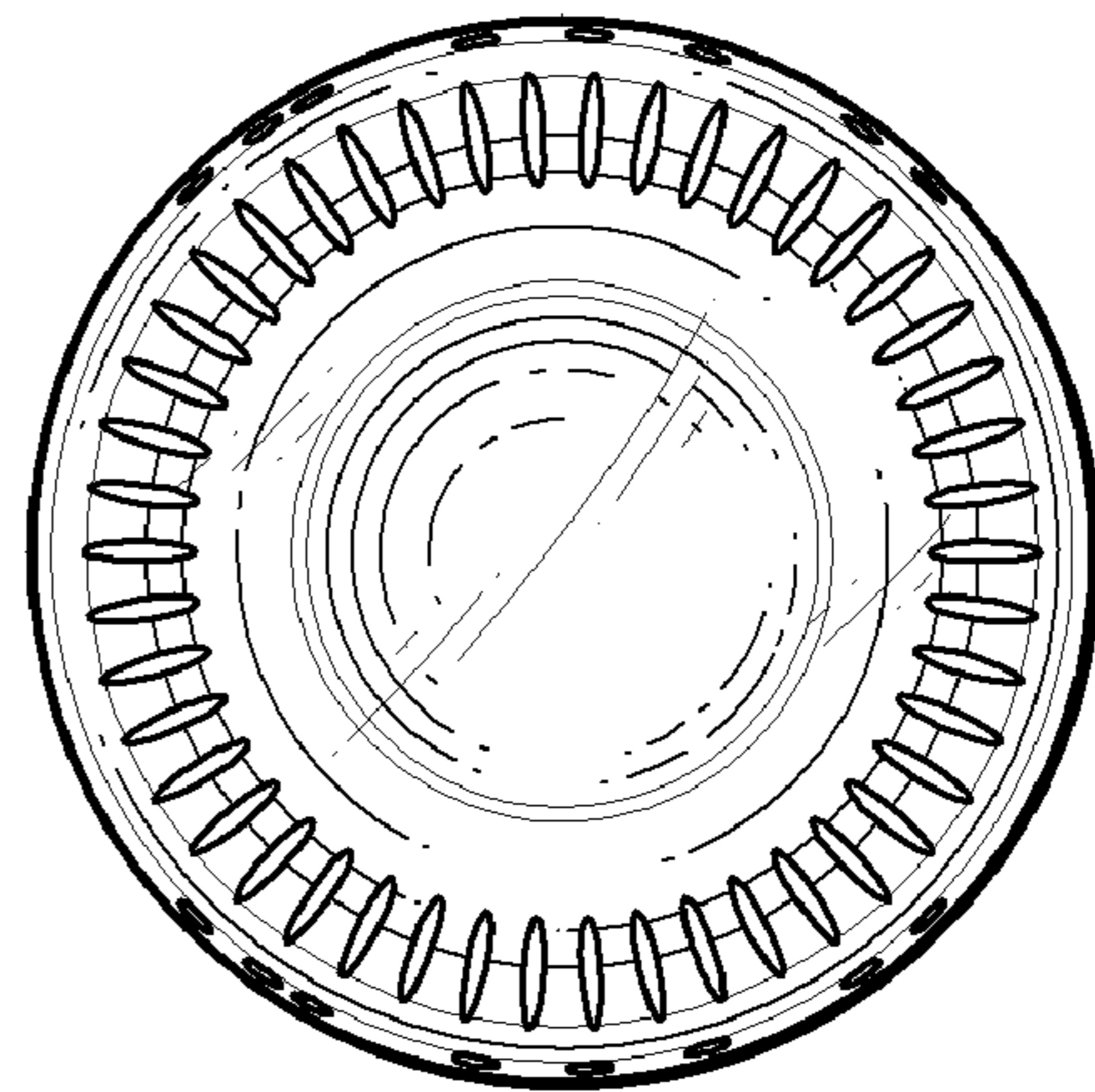


FIG. 9

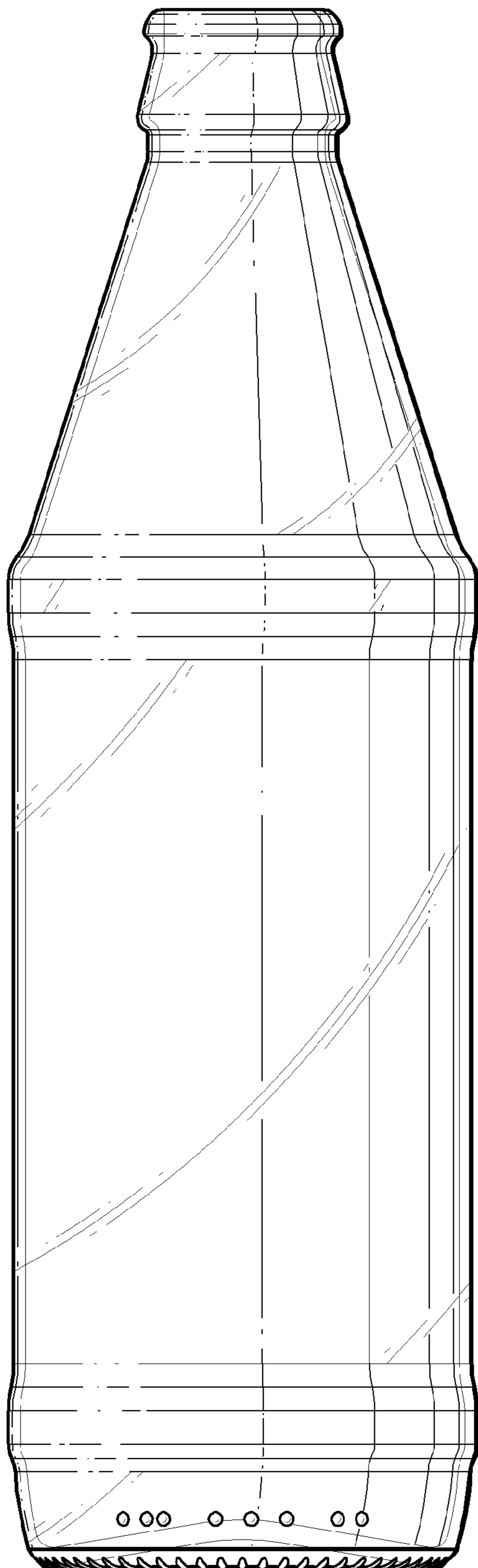


FIG. 10

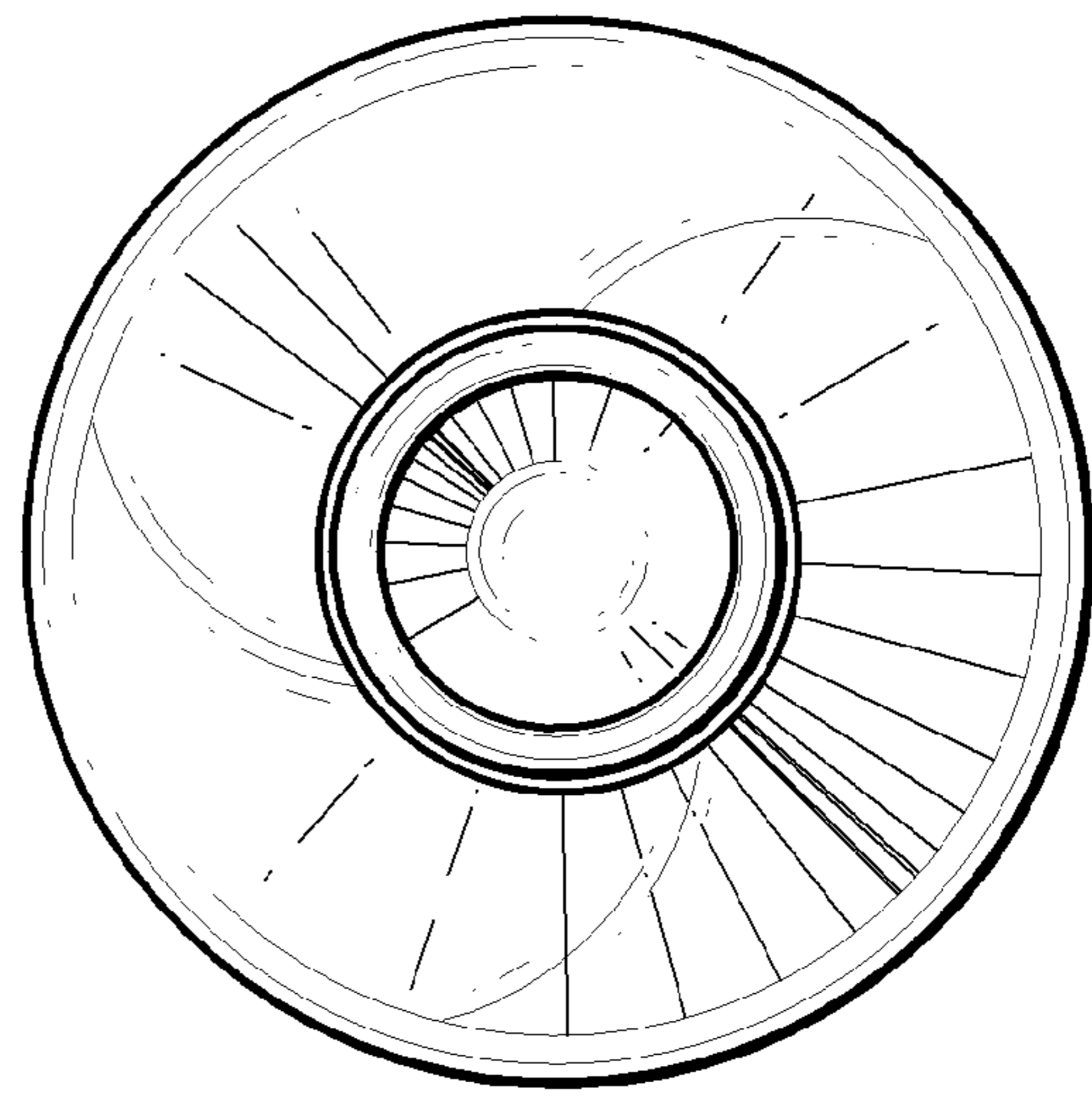


FIG. 11

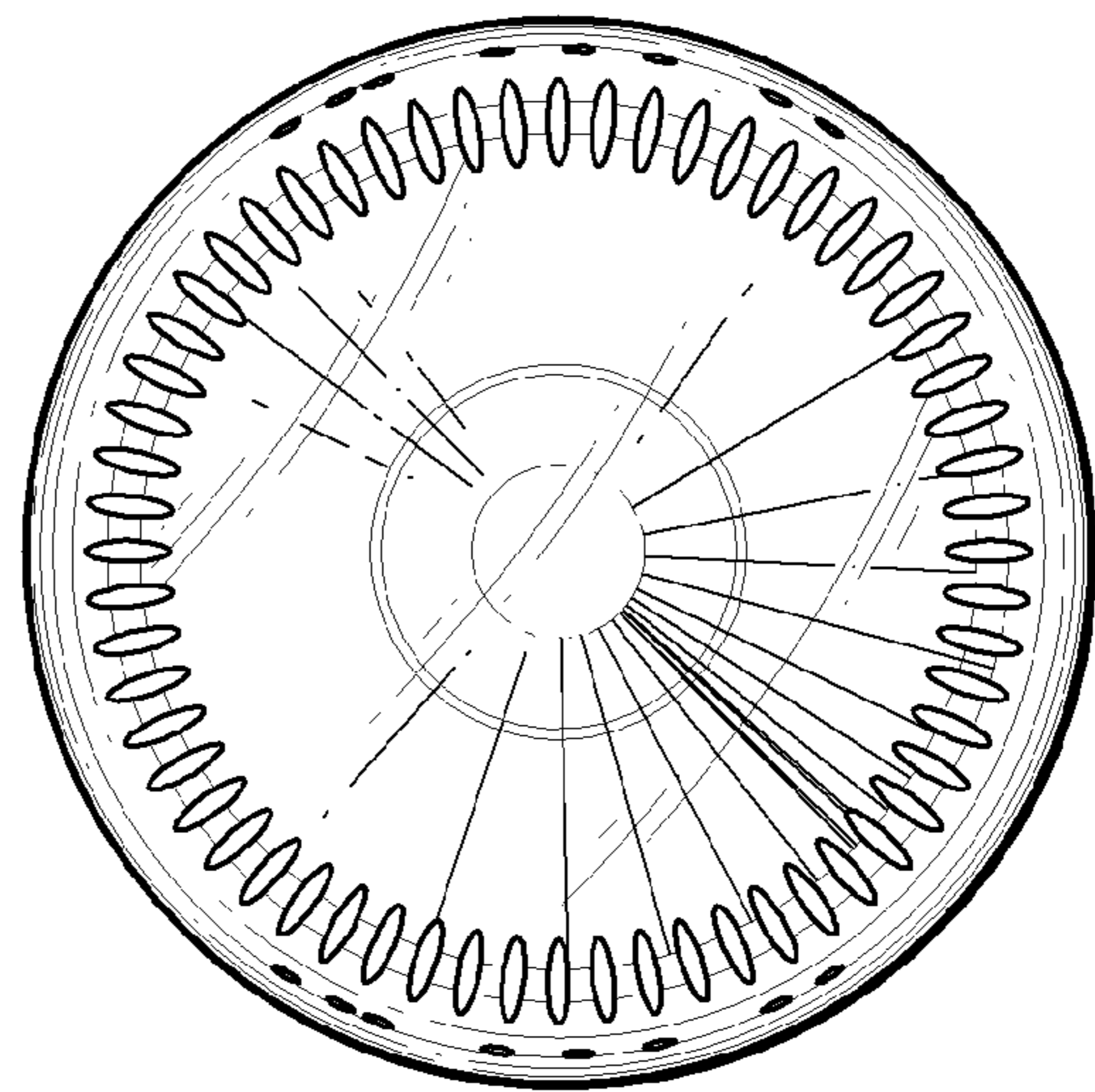


FIG. 12