



US00D626837S

(12) **United States Design Patent**
Meyers et al.

(10) **Patent No.:** **US D626,837 S**
(45) **Date of Patent:** **** Nov. 9, 2010**

(54) **BOTTLE CLOSURE WITH FLIP TOP**

(75) Inventors: **David O. Meyers**, Kaysville, UT (US);
Steven M. Sorensen, Alpine, UT (US)

(73) Assignee: **Runway Blue, LLC**, Alpine, UT (US)

(**) Term: **14 Years**

(21) Appl. No.: **29/359,956**

(22) Filed: **Apr. 16, 2010**

(51) **LOC (9) Cl.** **09-07**

(52) **U.S. Cl.** **D9/443**

(58) **Field of Classification Search** D9/761,
D9/759, 756, 708, 709, 702, 456, 455, 454,
D9/453, 445, 443, 436, 435, 434, 439; 53/412;
248/146; 229/120; 222/109; 220/4.23;
219/439; 215/305; 206/392.6, 392.1, 692;
D7/304, 295, 392.1, 396.2, 608
See application file for complete search history.

(56) **References Cited**

U.S. PATENT DOCUMENTS

2,272,867	A	2/1942	Cobel	
2,573,378	A	10/1951	Zurlinden	
3,022,925	A	2/1962	Daniell	
3,168,226	A	2/1965	Underwood	
4,805,790	A	2/1989	Leonetti et al.	
5,065,877	A	11/1991	Karppinen et al.	
5,289,930	A	3/1994	Inouye	
D356,499	S	3/1995	Cautereels et al.	
D404,305	S	1/1999	De Baschmakoff	
6,860,397	B1	3/2005	Walters, Jr.	
D504,273	S	4/2005	Ancona	
D528,862	S	9/2006	Li	
D529,339	S	10/2006	Carreno et al.	
D543,454	S	5/2007	Leoncavallo et al.	
D547,607	S	7/2007	Forsman	
D565,353	S	4/2008	Roth et al.	
D580,227	S	11/2008	Roth et al.	
D586,184	S *	2/2009	Miller et al.	D7/608
D592,913	S *	5/2009	Pinelli et al.	D7/608
7,533,783	B2 *	5/2009	Choi et al.	220/714

D599,664	S *	9/2009	Fujinami et al.	D9/443
D613,110	S *	4/2010	Lane et al.	D7/392.1
2007/0175931	A1	8/2007	Leoncavallo et al.	

FOREIGN PATENT DOCUMENTS

CN	201139196	10/2008
----	-----------	---------

OTHER PUBLICATIONS

Kor One, <http://www.korwater.com/buyONE>, accessed Apr. 21, 2010.

(Continued)

Primary Examiner—Susan Bennett Hattan
(74) *Attorney, Agent, or Firm*—Kirton & McConkie; Michael F. Krieger; Adam D. Stevens

(57) **CLAIM**

The ornamental design for a bottle closure with flip top, as shown.

DESCRIPTION

FIG. 1 is a perspective view of a bottle closure with flip top incorporating the design of the invention, shown in a closed position;

FIG. 2 is a right-side view thereof;

FIG. 3 is a front view thereof;

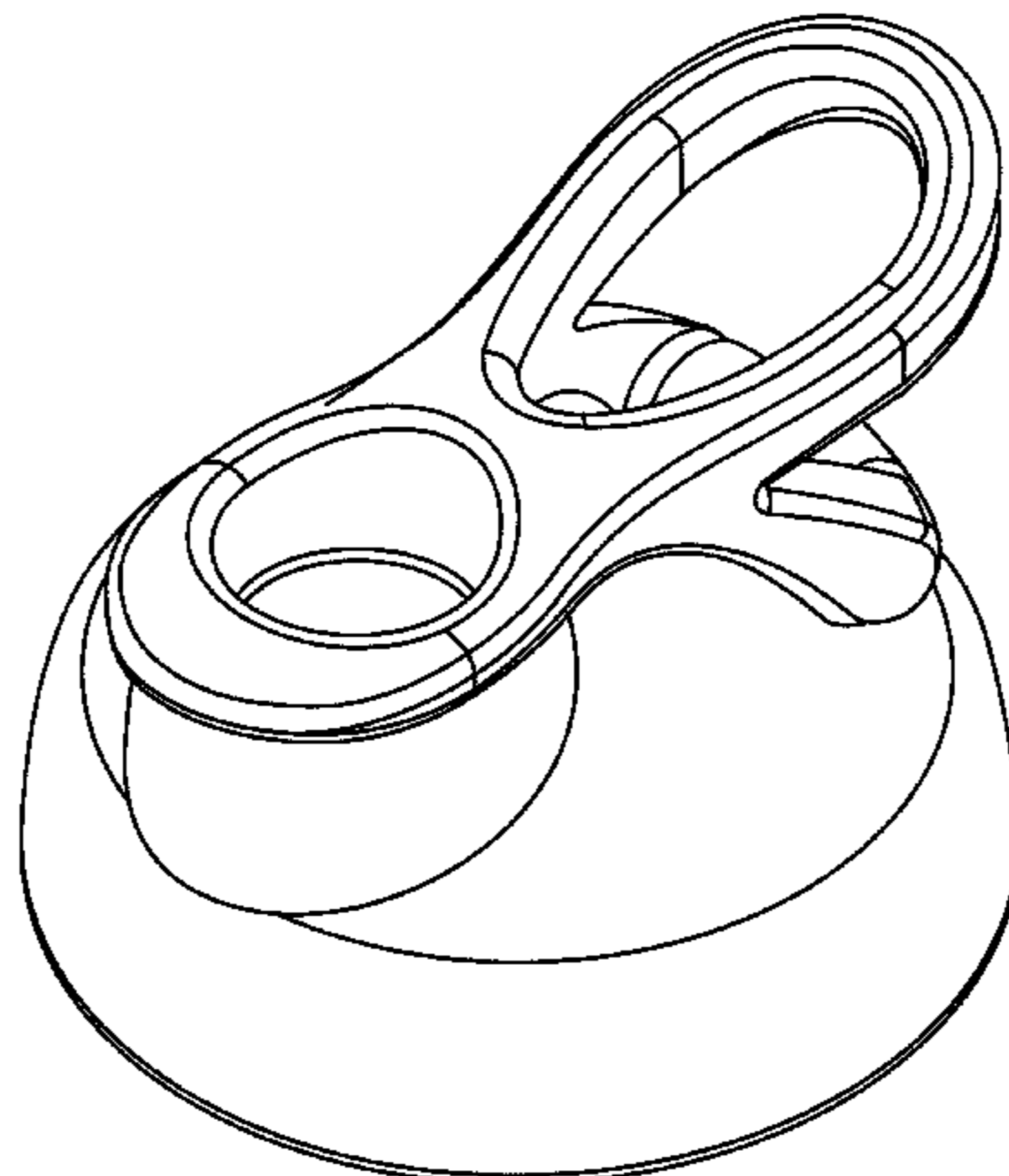
FIG. 4 is a left-side view thereof;

FIG. 5 is a back view thereof; and,

FIG. 6 is a top view thereof.

A bottle closure for closing a bottle and allowing access to the contents thereof using a flip top.

1 Claim, 6 Drawing Sheets



OTHER PUBLICATIONS

Core 77, http://www.core77.com/blog/materials/kor_one_water_vessel_actual_size_10211.asp, accessed Apr. 21, 2010.

Koyono, http://www.koyono.com/KOR-ONE-Green-Zen-Water-Hydration-Vessel_p/kor-one.htm, accessed Apr. 21, 2010.

Fit Sugar, www.fitsugar.com/2496788, accessed Apr. 21, 2010.

Thermos, <http://www.shopthermos.com/detail/TMS+HP4000GR6>, accessed Apr. 21, 2010.

Goodlifter, <http://www.goodlifter.com/2009/02/360-paper-water-bottle/>, accessed Apr. 21, 2010.

* cited by examiner

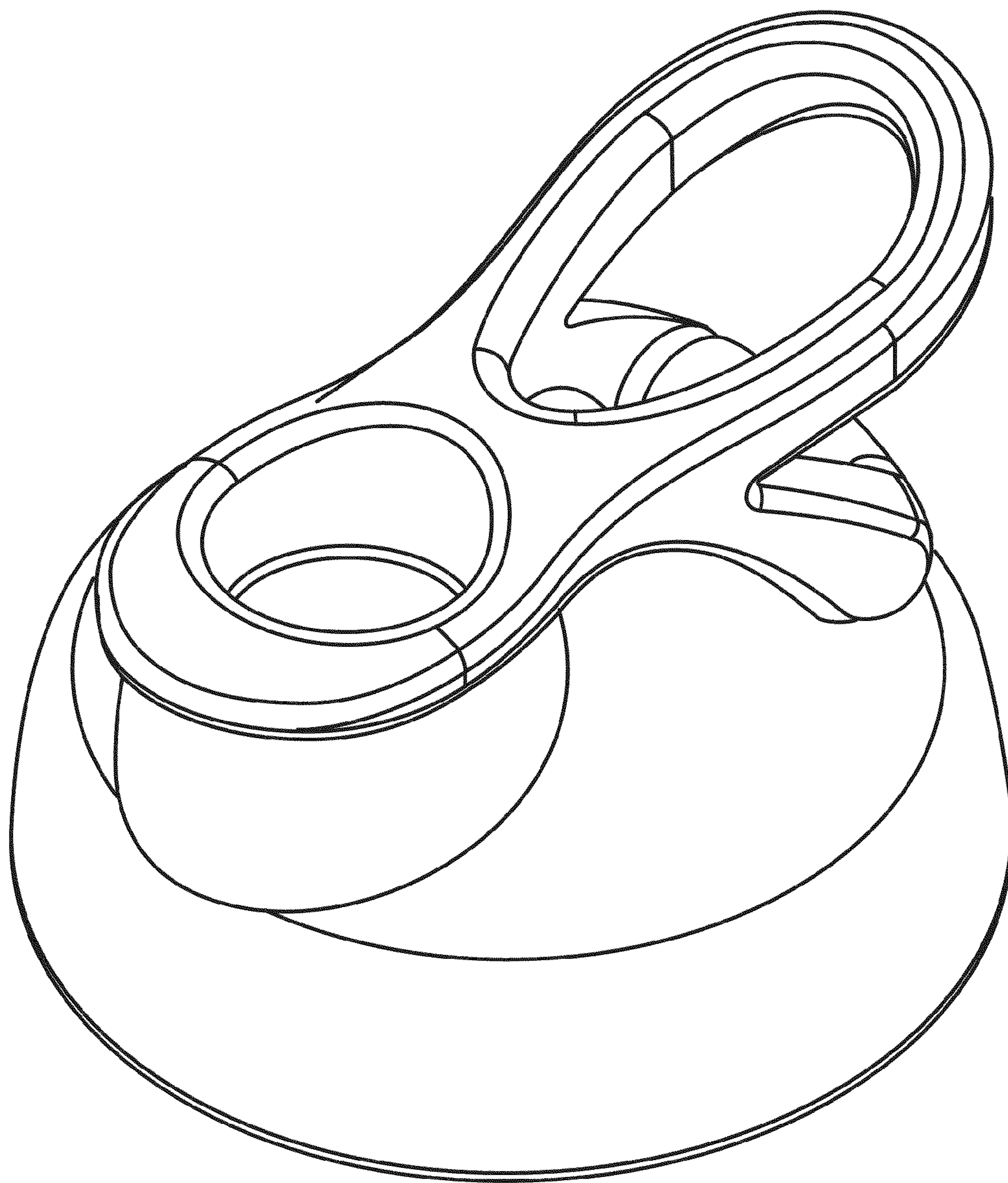


FIG. 1

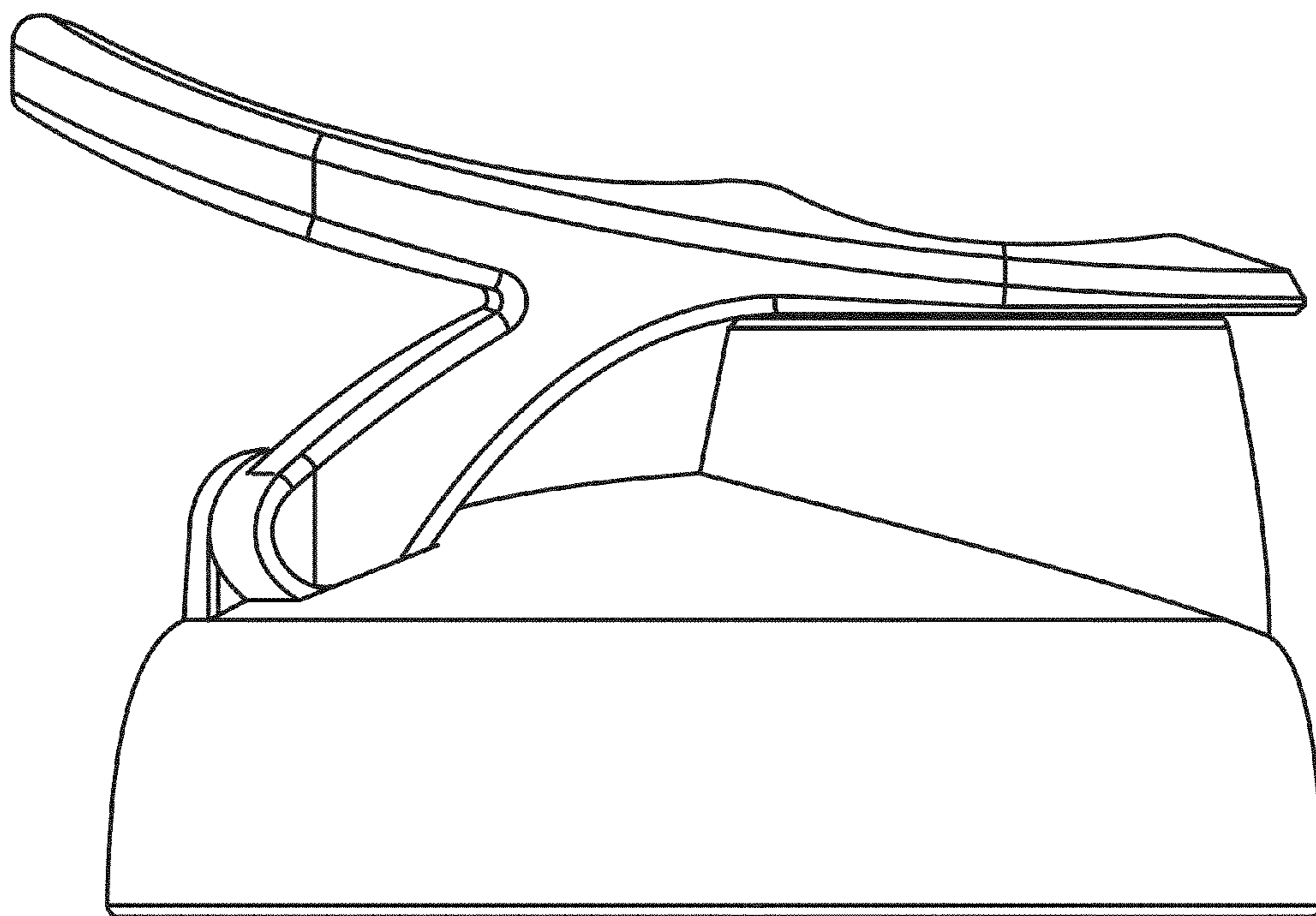


FIG. 2

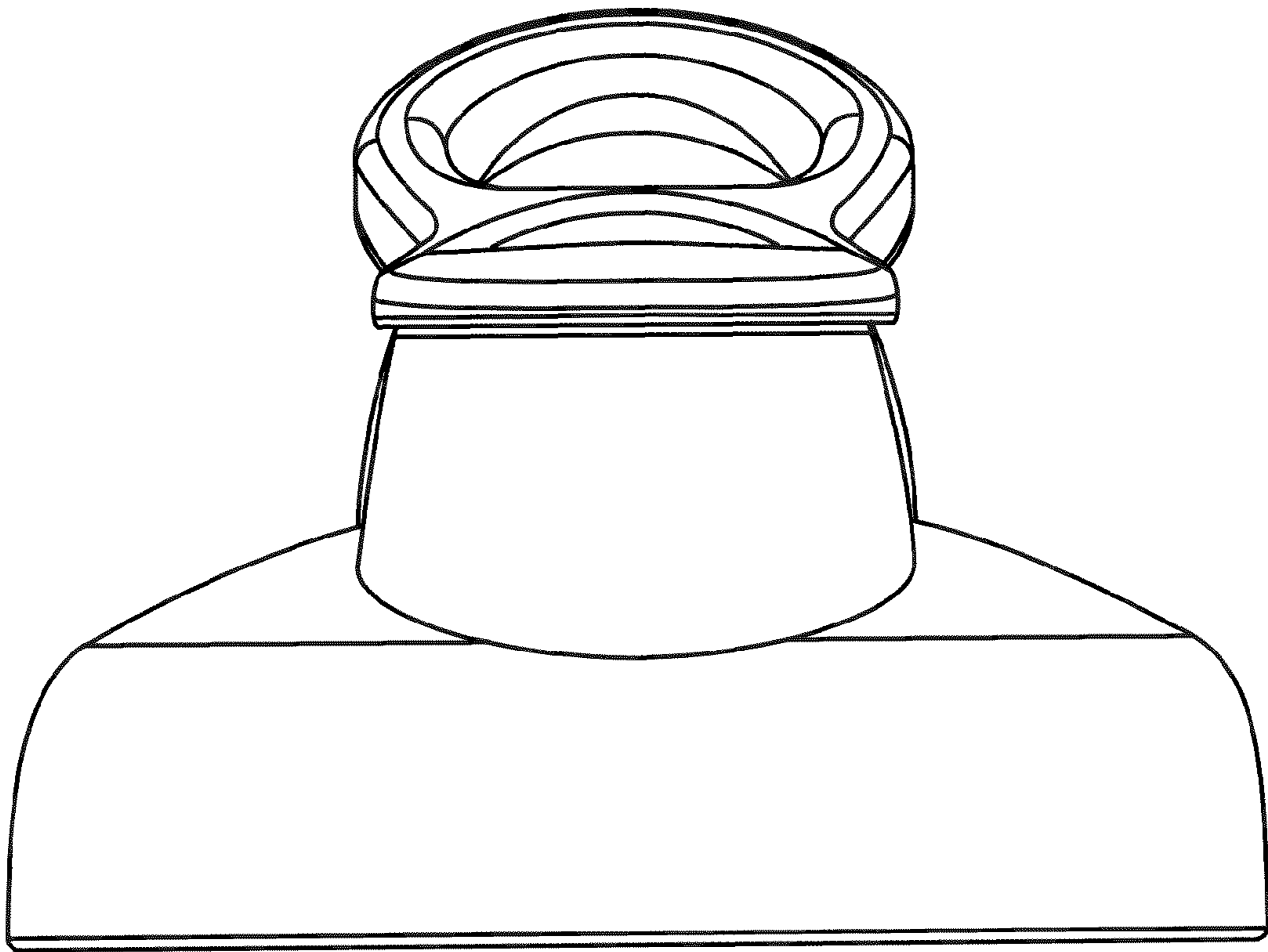


FIG. 3

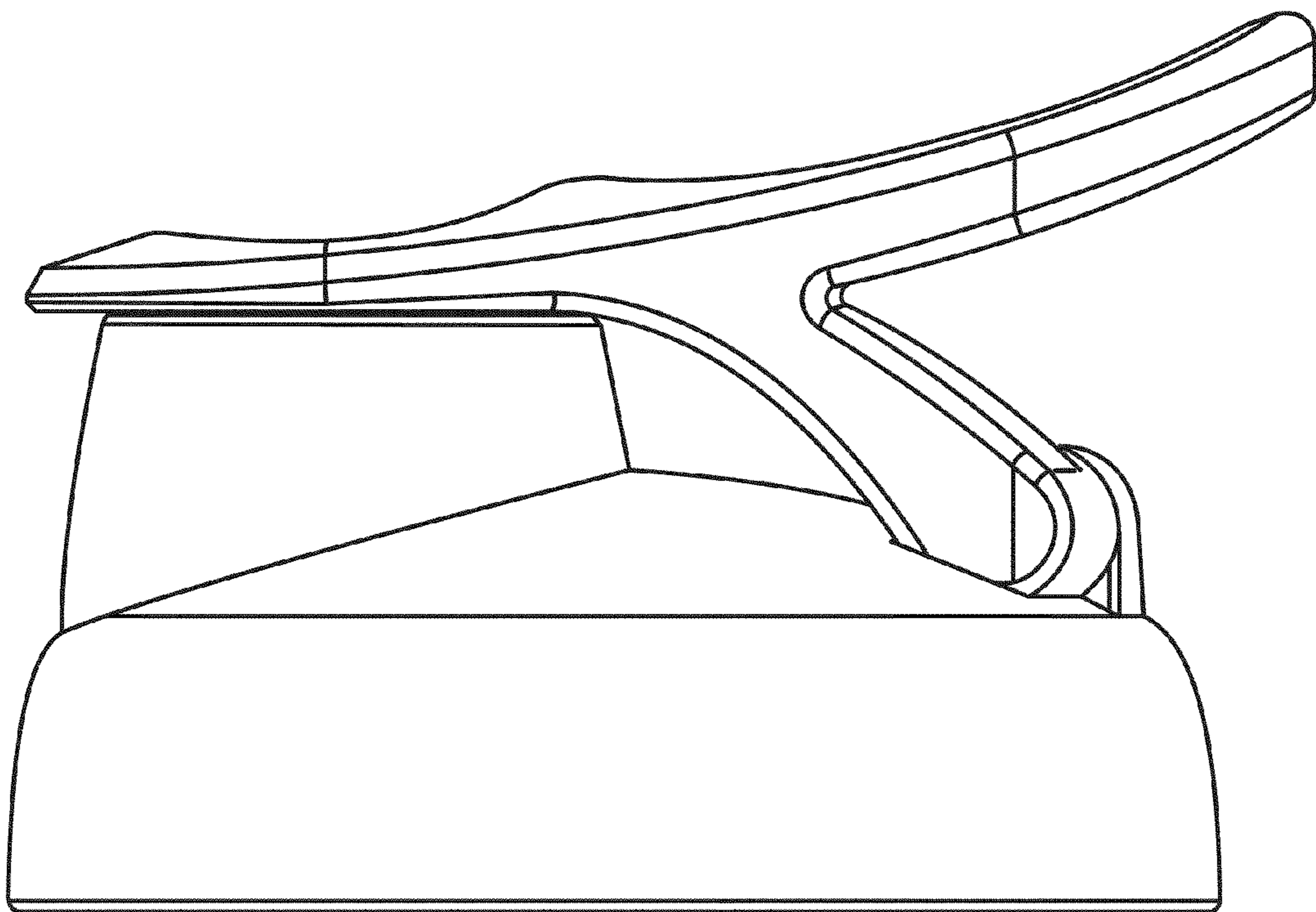


FIG. 4

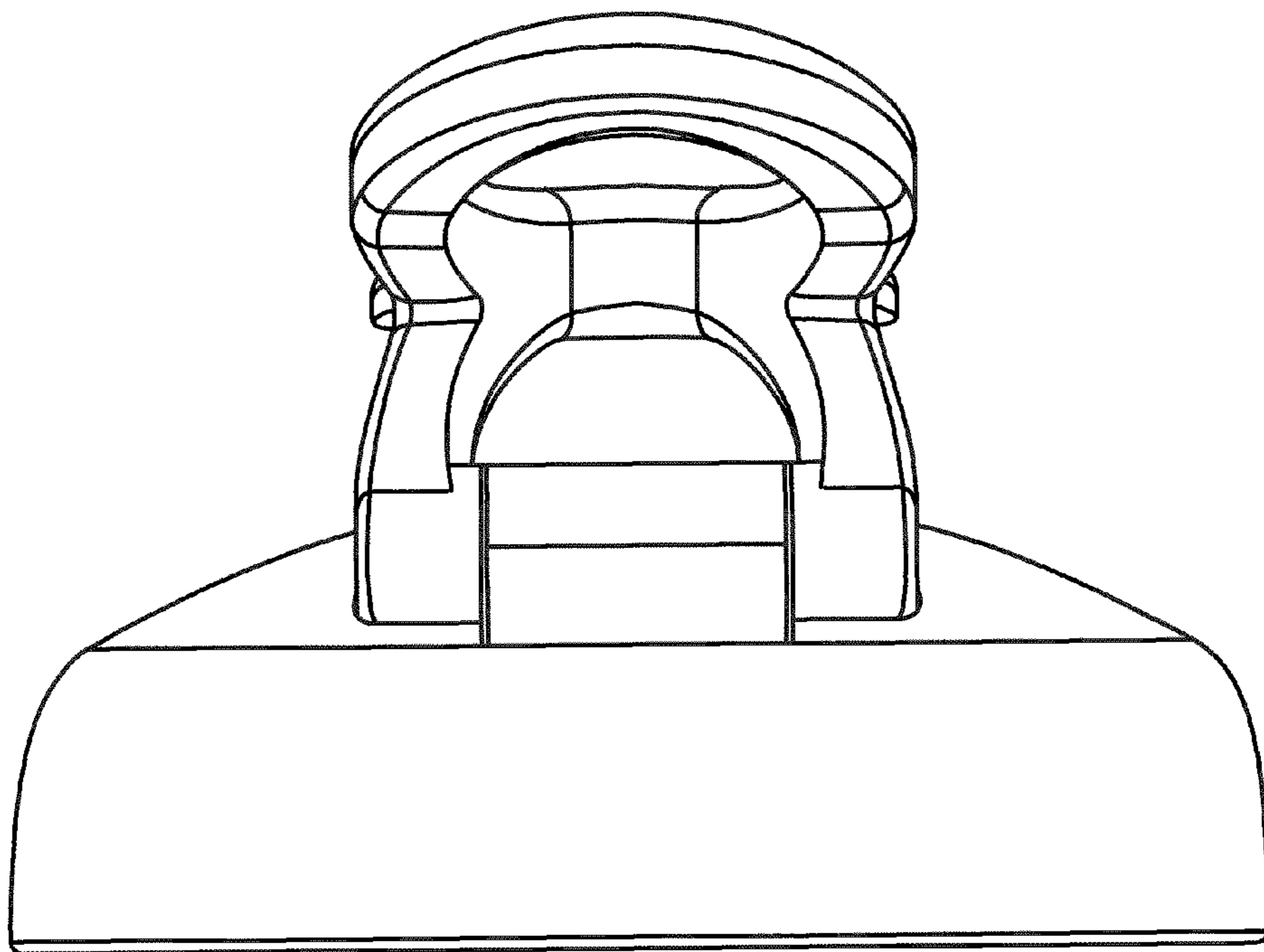


FIG. 5

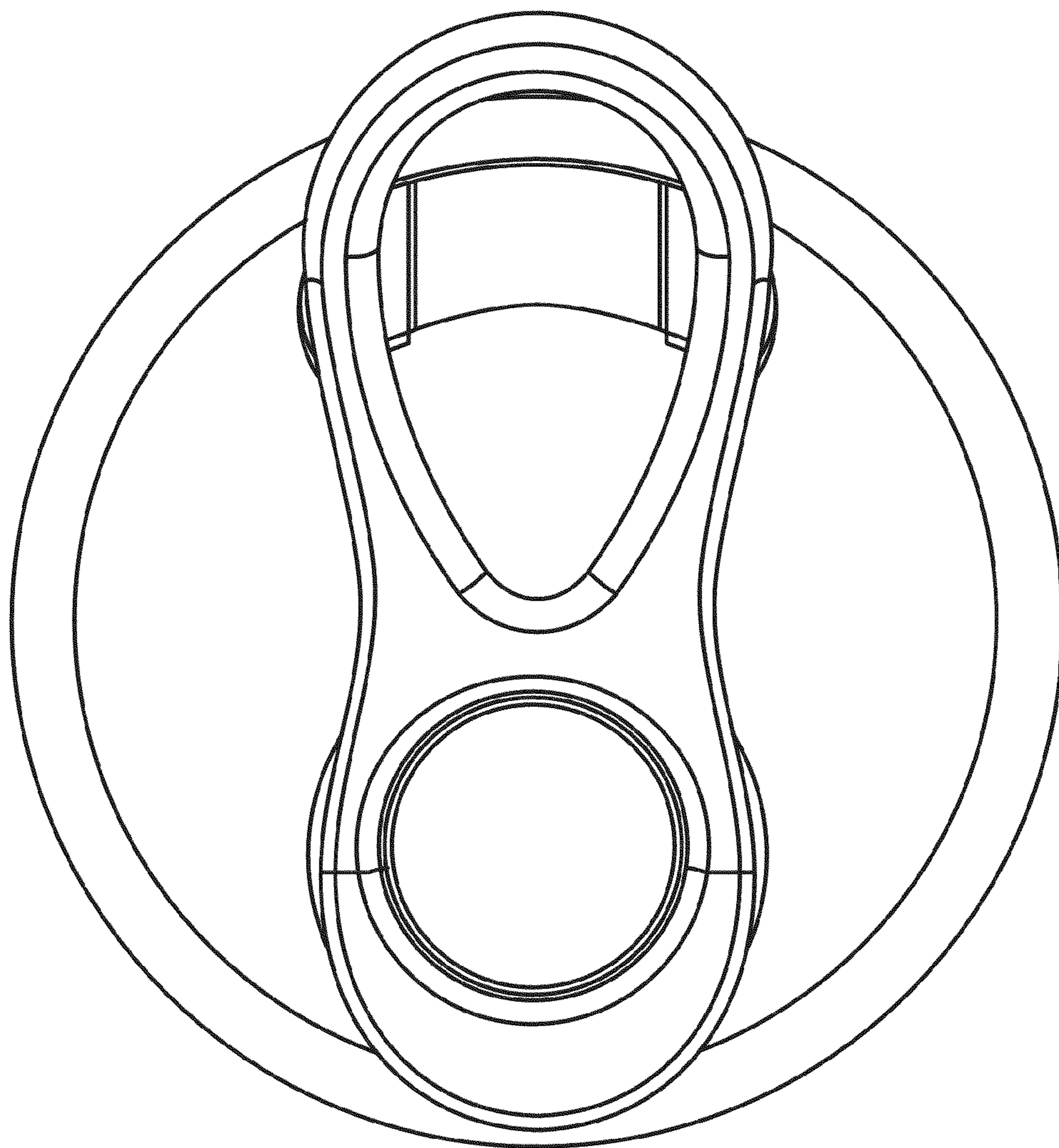


FIG. 6