



US00D626831S

(12) **United States Design Patent**
Nicholas

(10) **Patent No.:** **US D626,831 S**
(45) **Date of Patent:** **** Nov. 9, 2010**

(54) **PACKAGE**

D385,781 S * 11/1997 Levine et al. D9/737

(76) Inventor: **Nico Nicholas**, 100 New Park Avenue,
London (GB) N13 5LZ

(Continued)

(**) Term: **14 Years**

DE 43 13 108 10/1994

(21) Appl. No.: **29/311,200**

(Continued)

(22) Filed: **Jan. 14, 2009**

OTHER PUBLICATIONS

(30) **Foreign Application Priority Data**

Co-Pending British Appln. No. GB 0801253.6, filed Jan. 24, 2008, 9 pages.

Jul. 15, 2008 (EP) 000973441-0001

(Continued)

(51) **LOC (9) Cl.** **09-03**

Primary Examiner—Robert M. Spear

(52) **U.S. Cl.** **D9/432**

Assistant Examiner—Karen Acker

(58) **Field of Classification Search** D9/430–433,
D9/414, 418, 420–423; D3/272; 206/278,
206/297, 299, 457, 770, 737, 822; 229/100,
229/101, 101.3, 106, 108, 108.1, 116.1, 116.3,
229/116.5, 121, 122, 201, 213, 221, 222,
229/227, 922, 939, 942, 87.08, 101.2, 193,
229/195, 197

(74) *Attorney, Agent, or Firm*—Nixon & Vanderhye P.C.

See application file for complete search history.

(57) **CLAIM**

(56) **References Cited**

The ornamental design for “package”, as shown.

U.S. PATENT DOCUMENTS

DESCRIPTION

- 1,793,862 A * 2/1931 Mallgraf 40/539
- 1,971,607 A * 8/1934 Haines 206/738
- 2,359,679 A 10/1944 Roehrl
- 3,185,373 A * 5/1965 Margulies 221/123
- 3,253,703 A * 5/1966 Ettin 206/784
- 3,469,765 A * 9/1969 Mueller 229/159
- 4,046,311 A 9/1977 Voytko
- 4,275,517 A * 6/1981 Blanchard 40/773
- 5,096,058 A * 3/1992 Juravin et al. 206/232
- 5,174,442 A * 12/1992 Kurnit 206/232
- 5,232,087 A 8/1993 Schluger
- D383,064 S * 9/1997 Tsukikawa D9/432

FIG. 1 is a front left perspective view of a package, showing two panels in a folded position and the outer panel placed against the main body and the end panels in a closed position;

FIG. 2 is a front right perspective view thereof with the end panels in an open position;

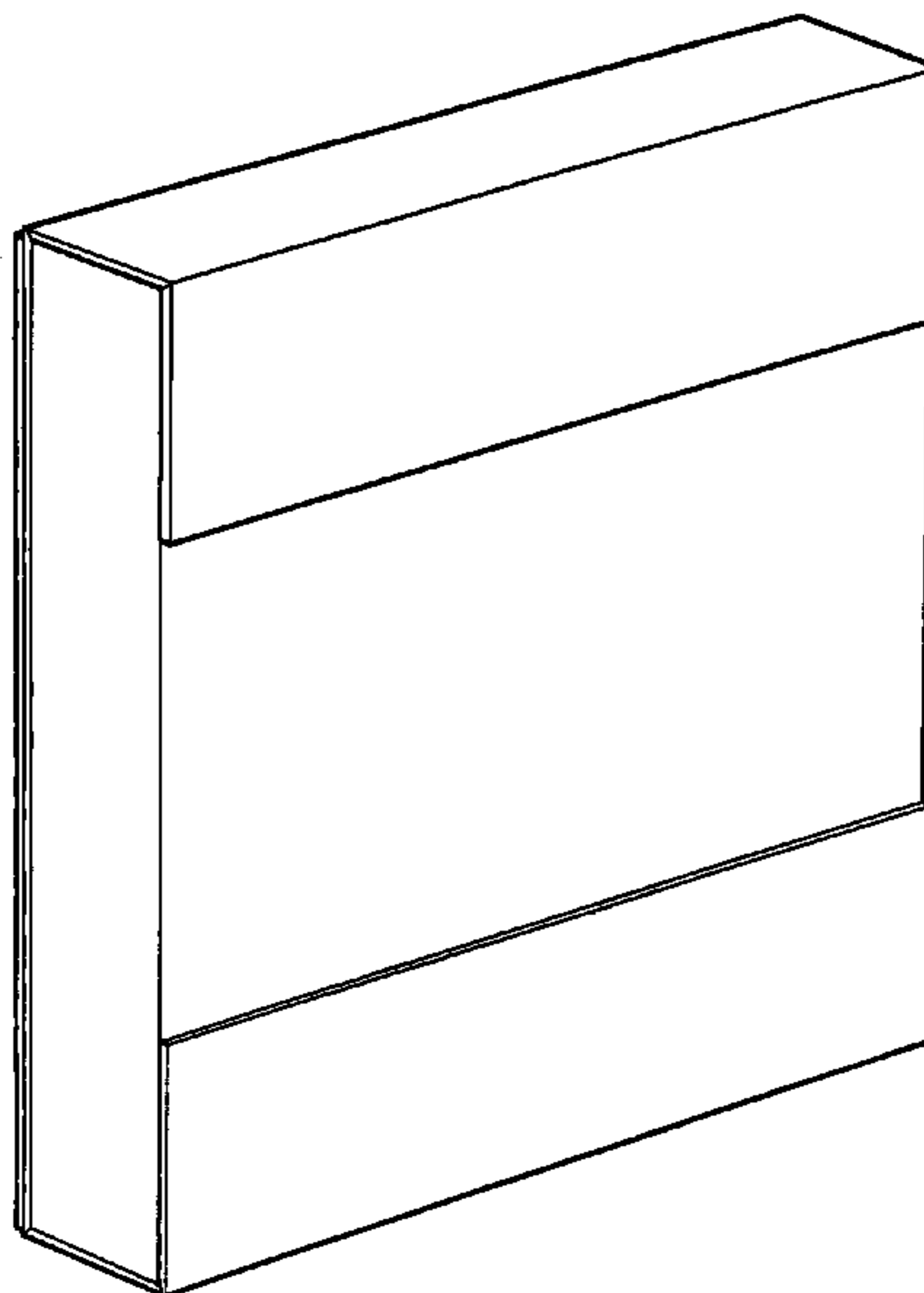
FIG. 3 is a rear left perspective view thereof showing the two panels in an unfolded position and the end panels in an open position;

FIG. 4 is a rear, center left perspective view thereof;

FIG. 5 is a rear center left perspective view thereof in a second configuration showing the inner panel placed against the main body with the end panel in an open position; and,

FIG. 6 is a rear left perspective view thereof with the end panels in a partially closed position.

1 Claim, 6 Drawing Sheets



US D626,831 S

Page 2

U.S. PATENT DOCUMENTS

D424,434 S * 5/2000 Hoffman D9/432
6,241,084 B1 * 6/2001 Gyr 206/278
D447,687 S * 9/2001 Roby D9/422
D456,251 S * 4/2002 Beeks D9/418
6,394,273 B1 * 5/2002 Dixon 206/459.5
D536,246 S * 2/2007 Schneider D9/432
D538,157 S * 3/2007 Boyner D9/433
D543,104 S * 5/2007 Frederiksen D9/422
D575,150 S * 8/2008 Hageman D9/432
D580,263 S * 11/2008 Yi Man D9/432
2002/0153265 A1 10/2002 Leung et al.

2006/0266665 A1* 11/2006 Clarke 206/311

FOREIGN PATENT DOCUMENTS

EM 315734-0002 * 6/2005
EM 435367-0006 * 11/2005
GB 2 101 040 1/1983
GB 2 241 470 9/1991
GB 2363784 A * 1/2002

OTHER PUBLICATIONS

Co-Pending British Appln. No. GB 0804549.4, filed Mar. 11, 2008,
19 pages.

* cited by examiner

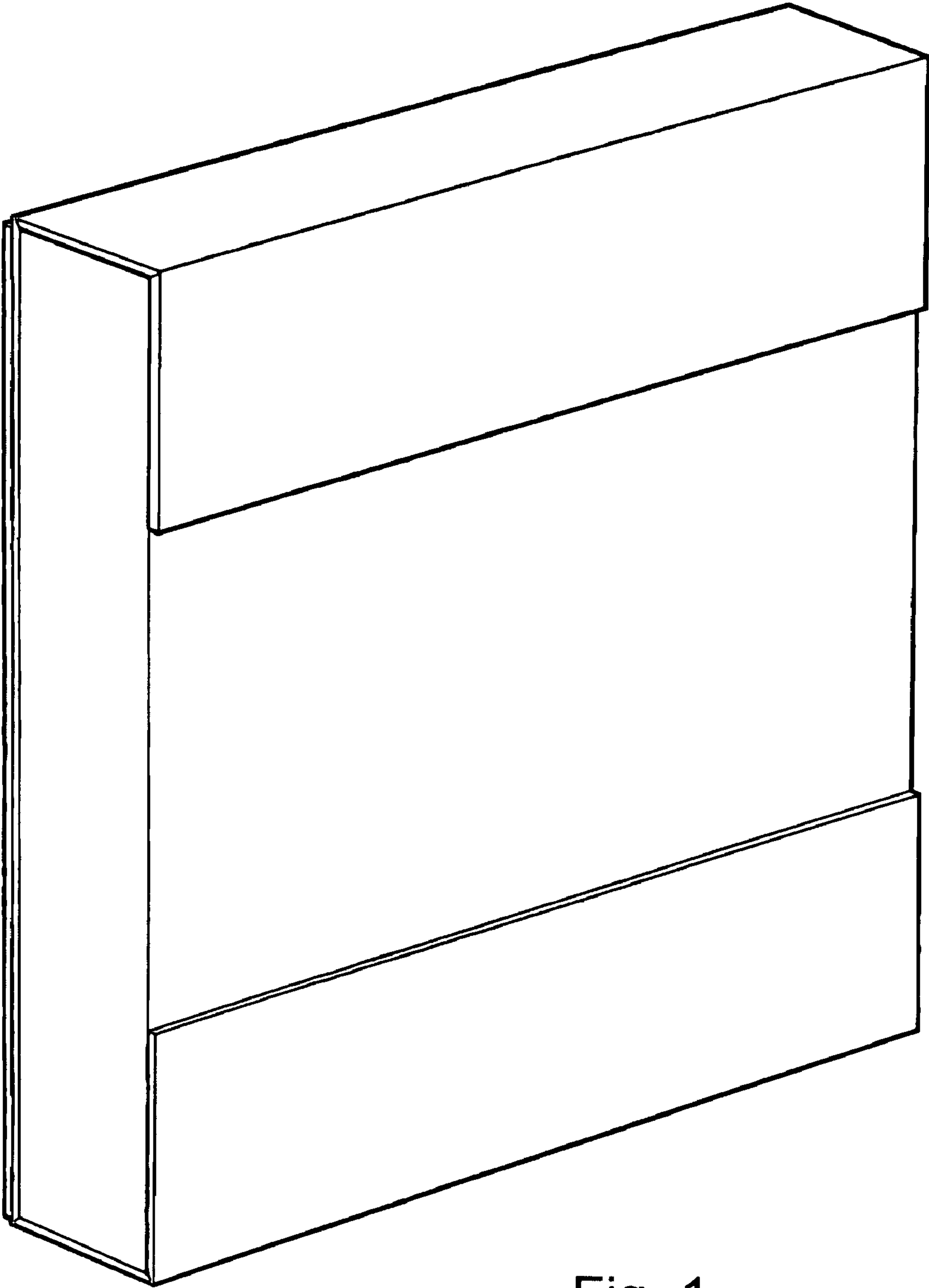


Fig. 1

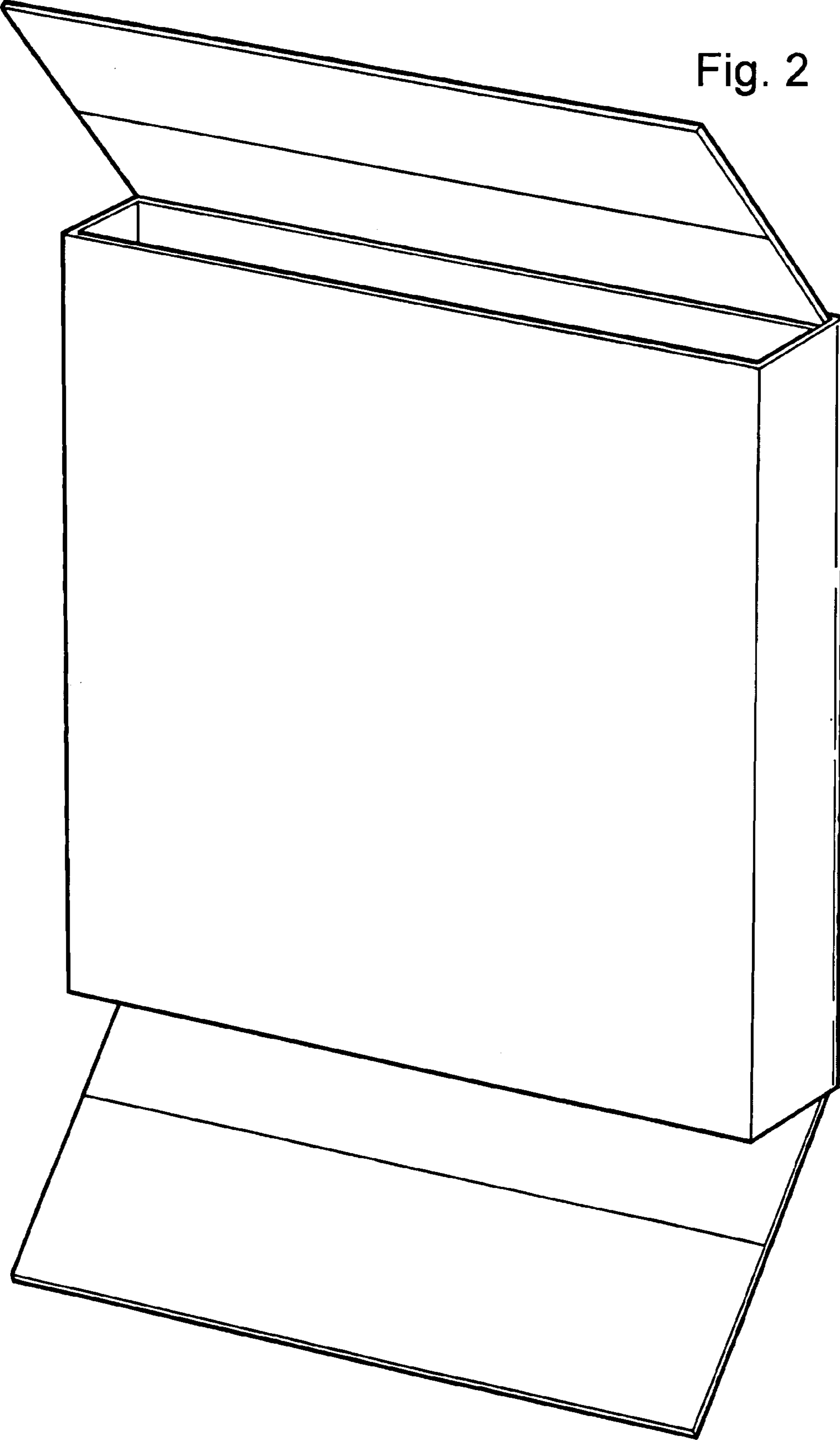


Fig. 2

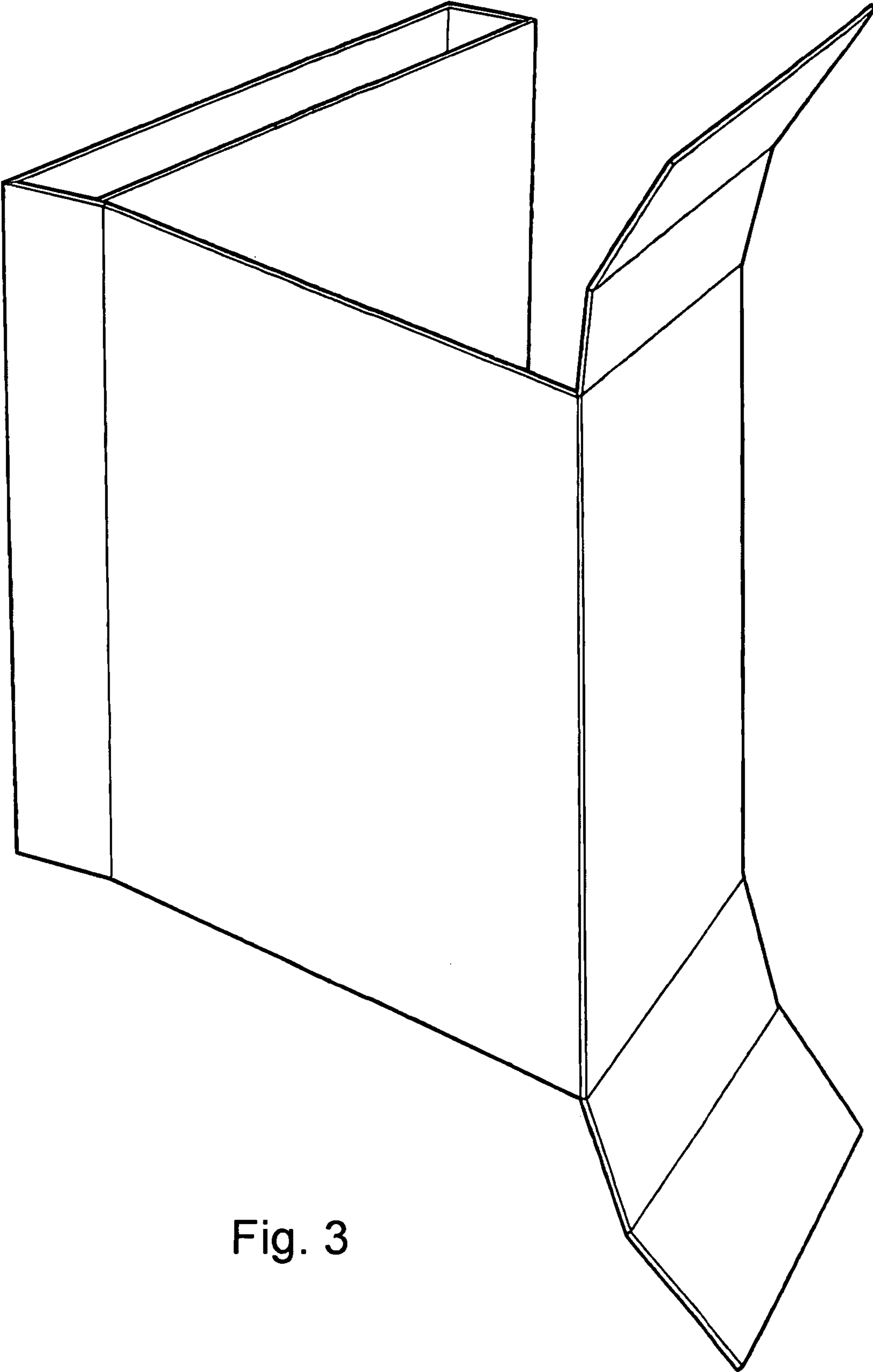


Fig. 3

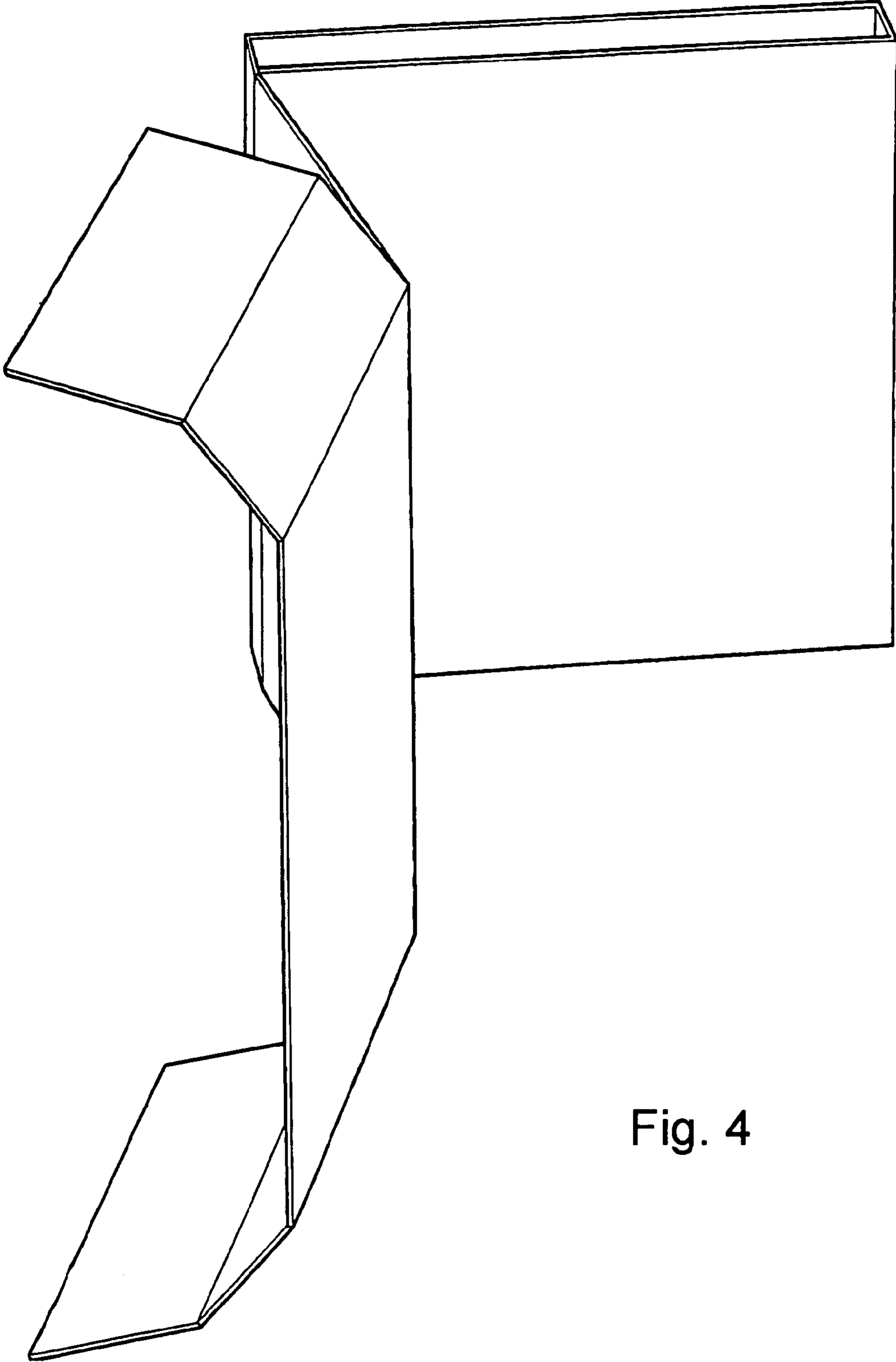


Fig. 4

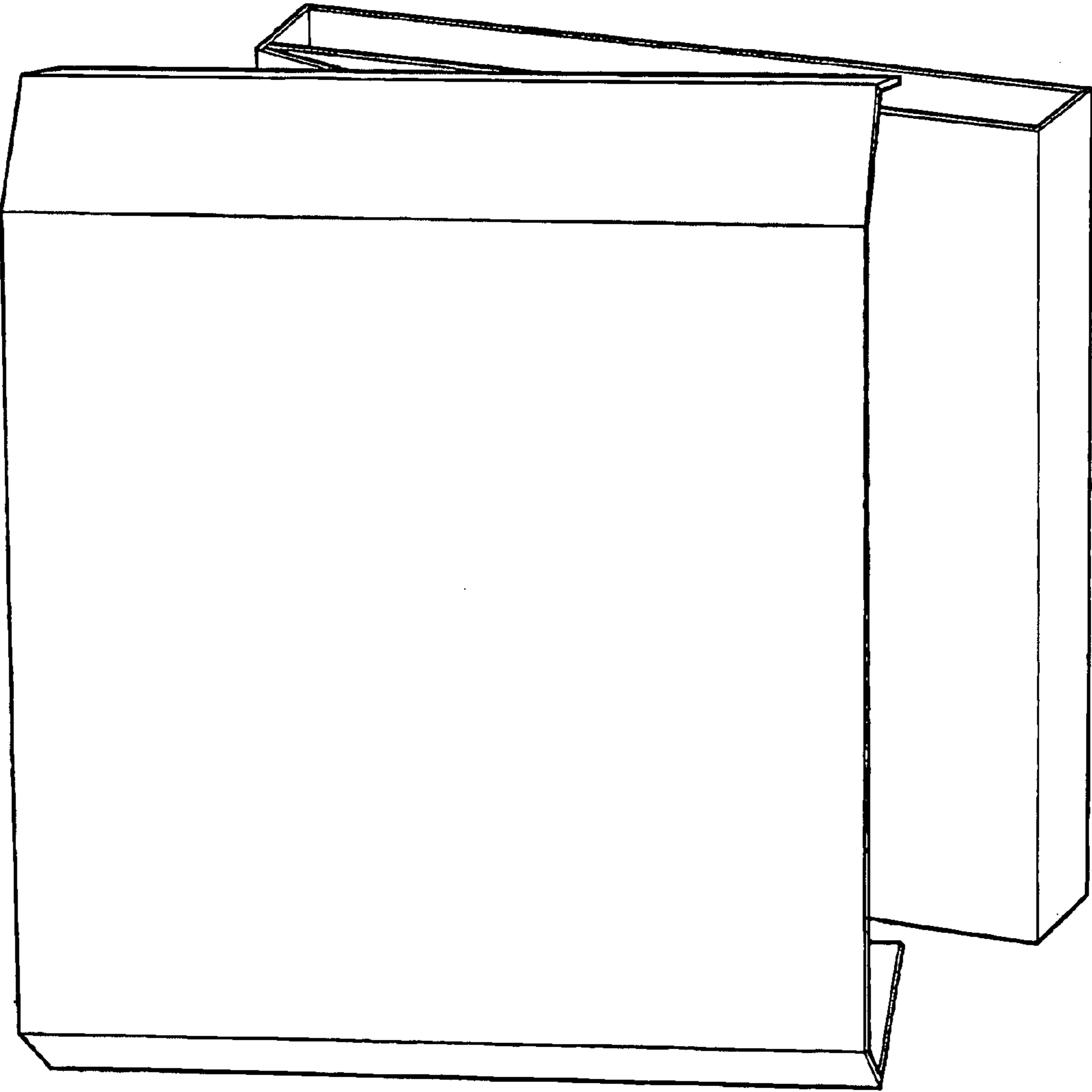


Fig. 5

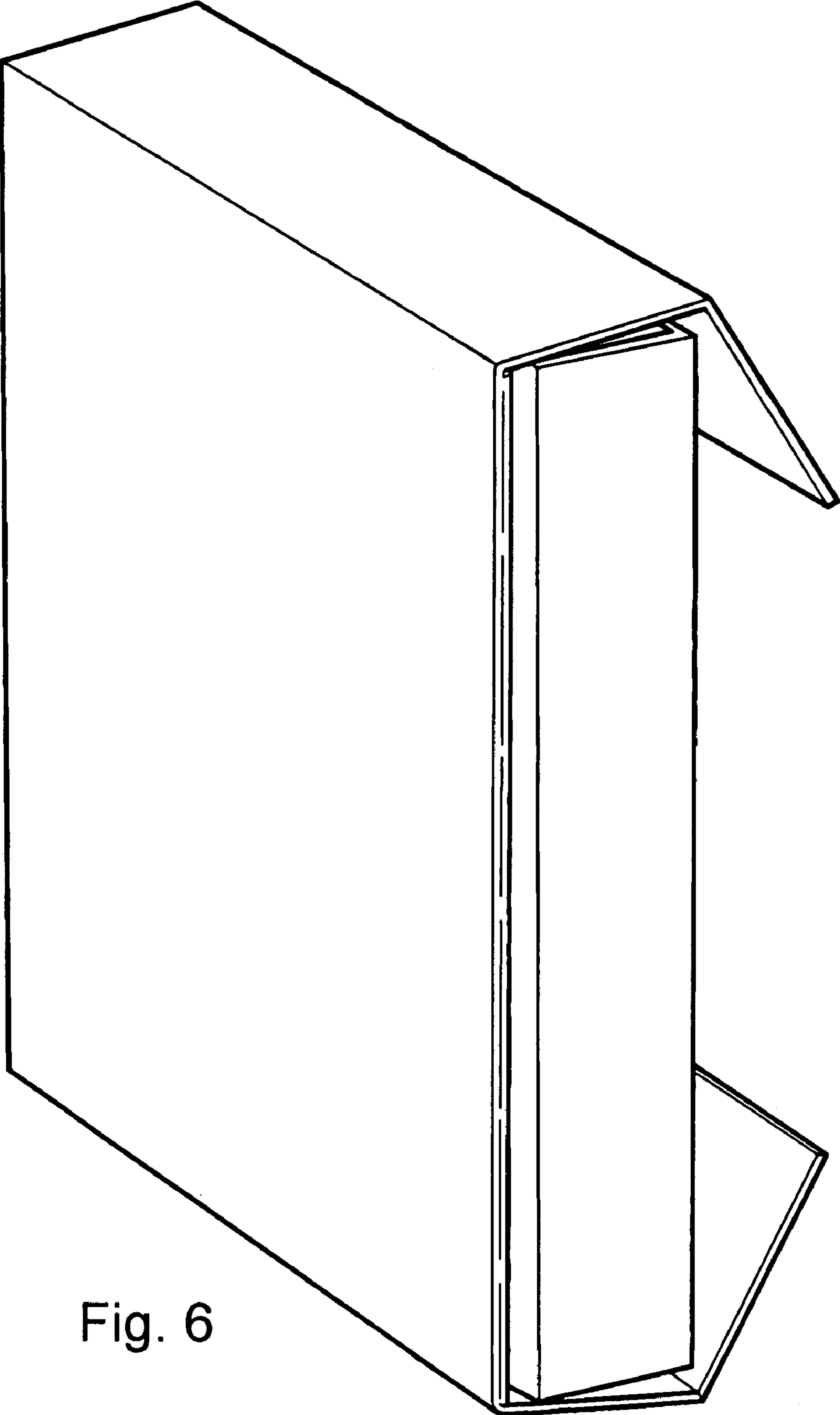


Fig. 6