



US00D626826S

(12) **United States Design Patent**  
**Austro**

(10) **Patent No.:** **US D626,826 S**  
(45) **Date of Patent:** **\*\* Nov. 9, 2010**

(54) **CONNECTOR FOR SHEET PILING**

(75) Inventor: **James Bryan Austro**, Wharton, NJ (US)

(73) Assignee: **Skyline Steel, LLC**, Parsippany, NJ (US)

(\*\*) Term: **14 Years**

(21) Appl. No.: **29/359,036**

(22) Filed: **Apr. 5, 2010**

(51) **LOC (9) Cl.** ..... **08-08**

(52) **U.S. Cl.** ..... **D8/382**

(58) **Field of Classification Search** ..... D8/382,  
D8/349, 395; D25/119; 403/363, 357, 381,  
403/278, 279, 403; 405/70; 24/346, 573.09;  
D23/262

See application file for complete search history.

(56) **References Cited**

**U.S. PATENT DOCUMENTS**

6,282,762 B1 9/2001 Wall  
6,428,244 B1 8/2002 Wall  
D520,350 S 5/2006 Wall  
D521,364 S 5/2006 Wall

D525,862 S 8/2006 Wall  
D542,642 S \* 5/2007 Heindl ..... D8/382  
D543,444 S \* 5/2007 Heindl ..... D8/382  
7,527,456 B2 \* 5/2009 Heindl et al. .... 405/279

\* cited by examiner

*Primary Examiner*—Holly H Baynham

*Assistant Examiner*—Sheryl Lane

(74) *Attorney, Agent, or Firm*—Hoffmann & Baron, LLP

(57) **CLAIM**

The ornamental design for a connector for sheet piling, as shown and described.

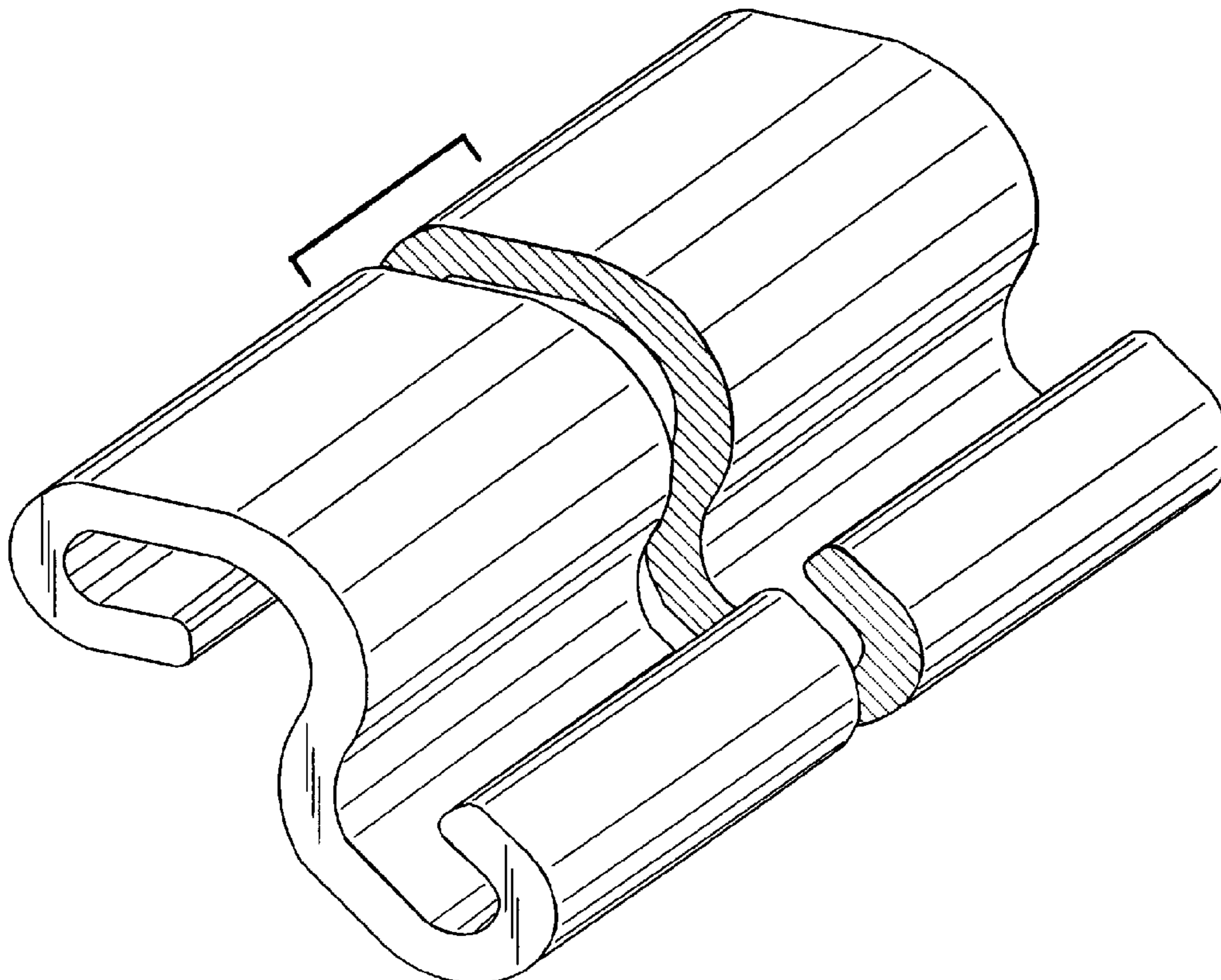
**DESCRIPTION**

FIG. 1 is an end view of the connector for sheet piling.

FIG. 2 is a perspective view of the first side of the connector for sheet piling. The separation of the two sections of the connector indicates indeterminate length; and,

FIG. 3 is a perspective view of the second side of the connector for sheet piling. The separation of the two sections of the connector indicates indeterminate length.

**1 Claim, 2 Drawing Sheets**



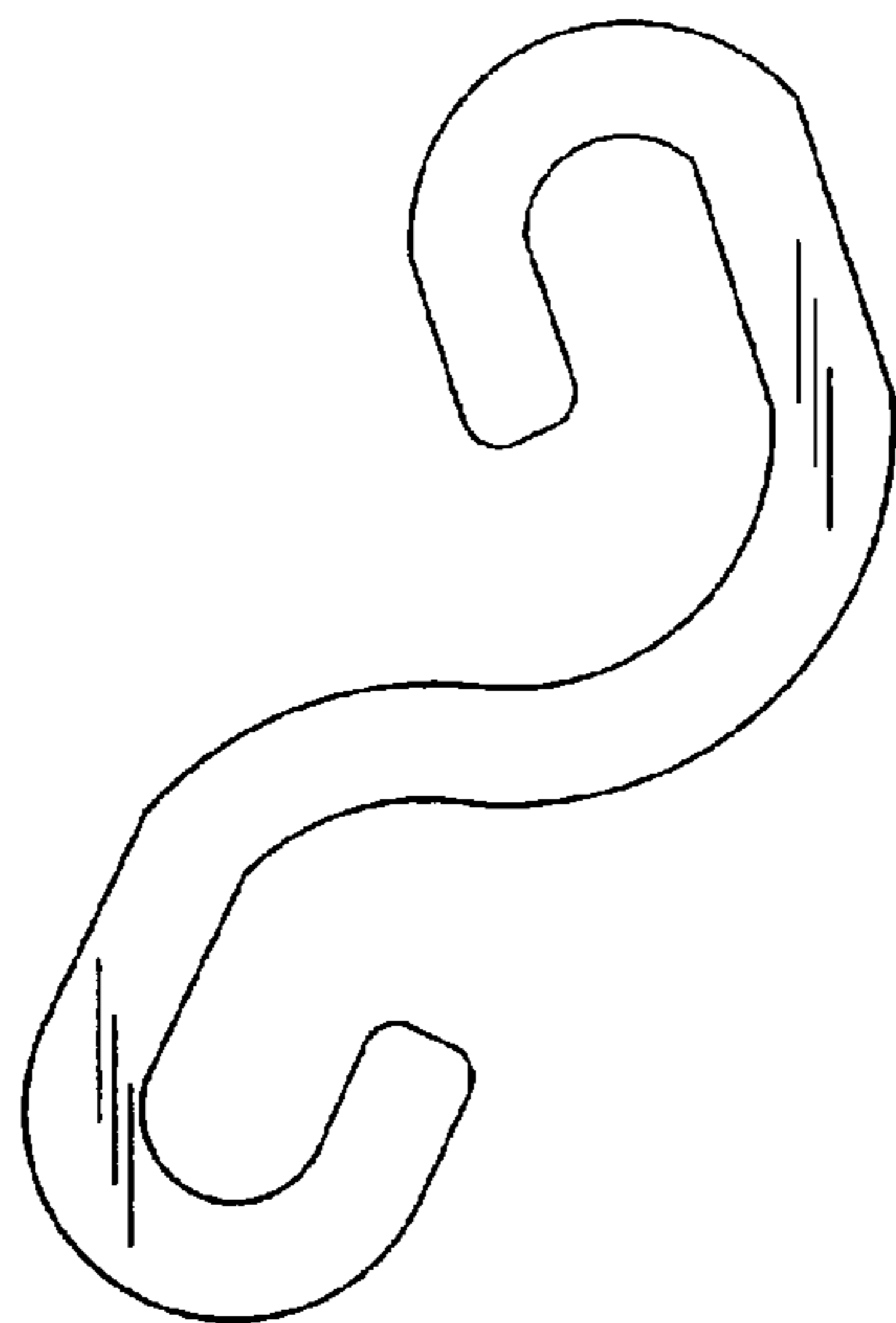


FIG. 1

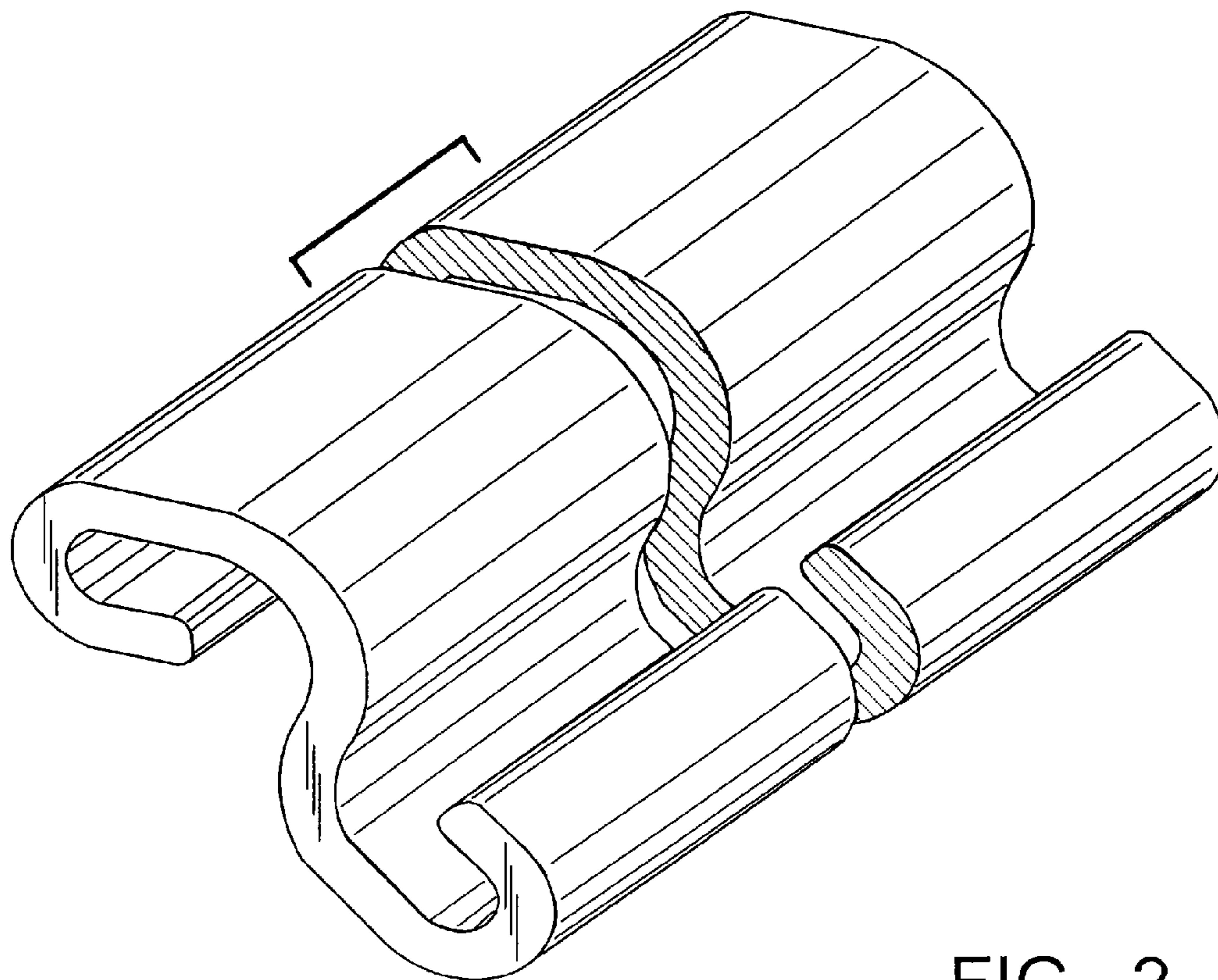


FIG. 2

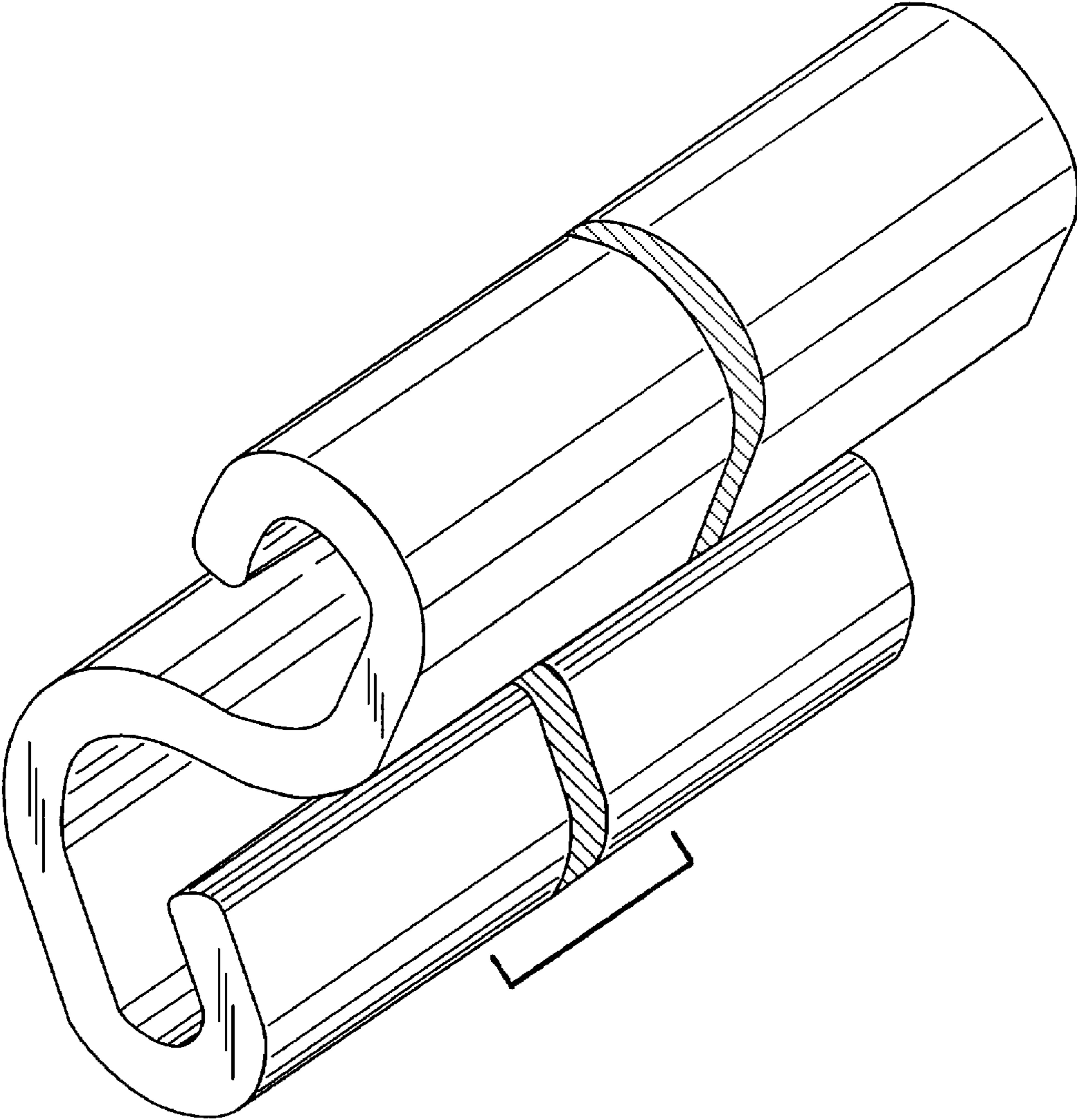


FIG. 3