



US00D626825S

(12) **United States Design Patent**
Walker et al.

(10) **Patent No.:** **US D626,825 S**
(45) **Date of Patent:** **** Nov. 9, 2010**

(54) **FASTENER**

(75) Inventors: **Darrel J. Walker**, Mt. Pleasant, MI (US); **Amy R. Cashen**, Shepherd, MI (US)

(73) Assignee: **The Delfield Company LLC**, Mount Pleasant, MI (US)

(**) Term: **14 Years**

(21) Appl. No.: **29/342,888**

(22) Filed: **Sep. 2, 2009**

(51) **LOC (9) Cl.** **08-08**

(52) **U.S. Cl.** **D8/382**

(58) **Field of Classification Search** D8/382,
D8/394, 349, 397-399; 411/427-428, 917-918,
411/955

See application file for complete search history.

(56) **References Cited**

U.S. PATENT DOCUMENTS

3,897,712	A *	8/1975	Black	411/373
D264,294	S *	5/1982	Schulze	D6/491
D272,473	S *	1/1984	Larsson	D25/133
D278,029	S *	3/1985	Suponitsky	D8/397
D295,370	S *	4/1988	Carlo et al.	D8/397
5,451,124	A *	9/1995	Meigs	411/436
D367,002	S *	2/1996	Grey	D8/397
D418,397	S *	1/2000	Sasa	D8/382
6,715,258	B1 *	4/2004	Mueller	52/45.12
D520,621	S *	5/2006	Moser, III	D23/365
D581,778	S *	12/2008	Lesesky	D8/397
D598,277	S *	8/2009	Tsai	D8/394
D606,853	S *	12/2009	Shapiro et al.	D8/397

* cited by examiner

Primary Examiner—Holly H Baynham

Assistant Examiner—Sheryl Lane

(74) *Attorney, Agent, or Firm*—Ohlandt, Greeley, Ruggiero & Perle, L.L.P.

(57) **CLAIM**

The ornamental design for the fastener, as shown and described.

DESCRIPTION

FIG. 1 is a top perspective view of a fastener showing our new design in solid lines.

FIG. 2 is an enlarged view of the upper left portion of the top perspective view of FIG. 1;

FIG. 3 is a top perspective view of one of the fasteners shown in FIG. 1, all of the fasteners being the same;

FIG. 4 is a bottom perspective view of the fastener shown in FIG. 3;

FIG. 5 is a top plan view of the fastener shown in FIG. 3;

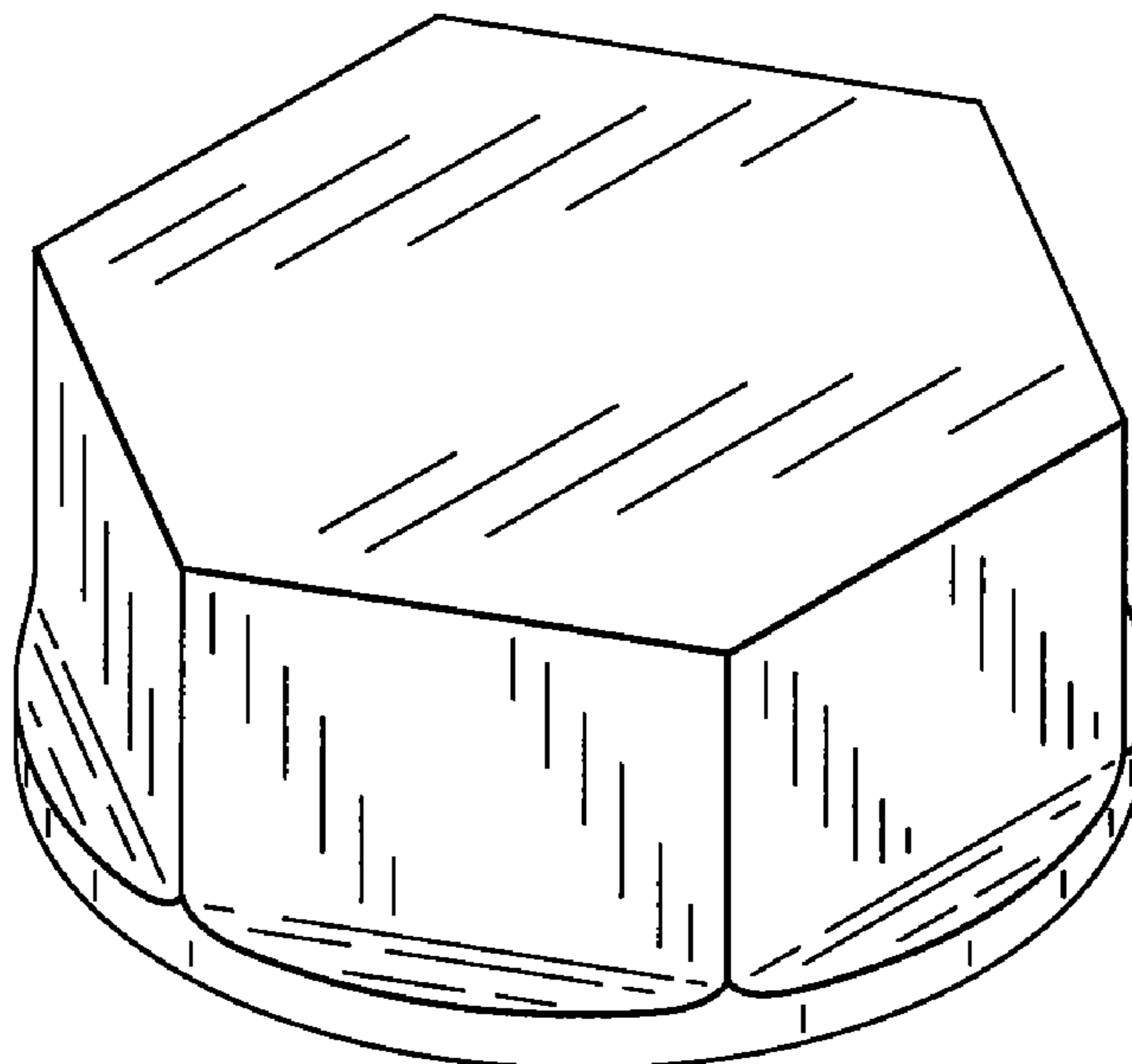
FIG. 6 is a bottom plan view of the fastener shown in FIG. 3, with the threaded portion of the receptacle of the fastener being shown in dashed lines and forming no part of the claimed design;

FIG. 7 is a front elevation of the fastener shown in FIG. 3, the rear elevation being a mirror image thereof; and,

FIG. 8 is a right side elevation of the fastener of FIG. 3, the left side elevation being a mirror image thereof.

The broken lines in the drawings of FIGS. 1 and 2 are for the purpose of showing environment and form no part of the claimed design. The broken line showing of the fastener is for the purpose of showing portions of the article and forms no part of the claimed design.

1 Claim, 5 Drawing Sheets



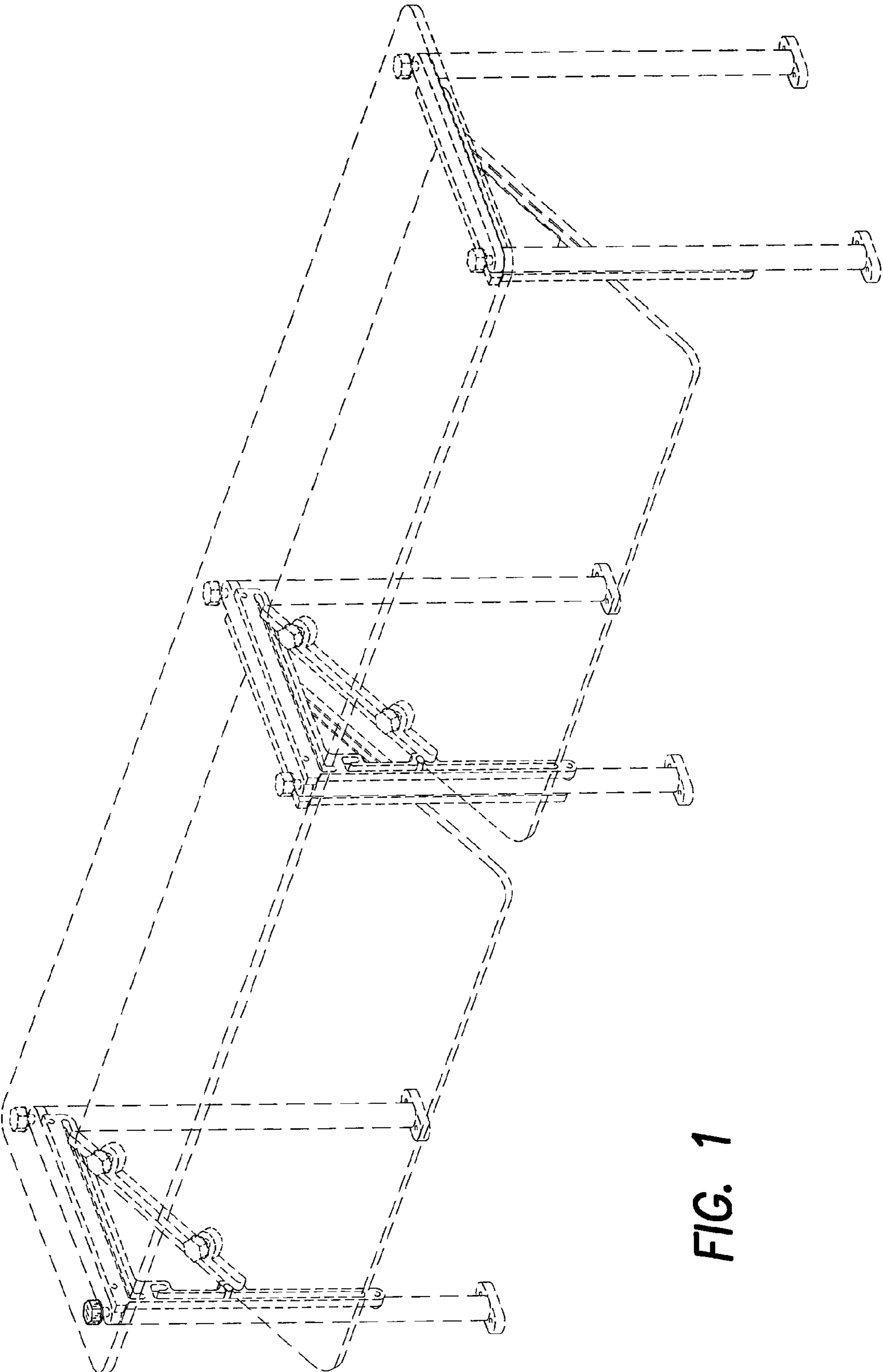


FIG. 1

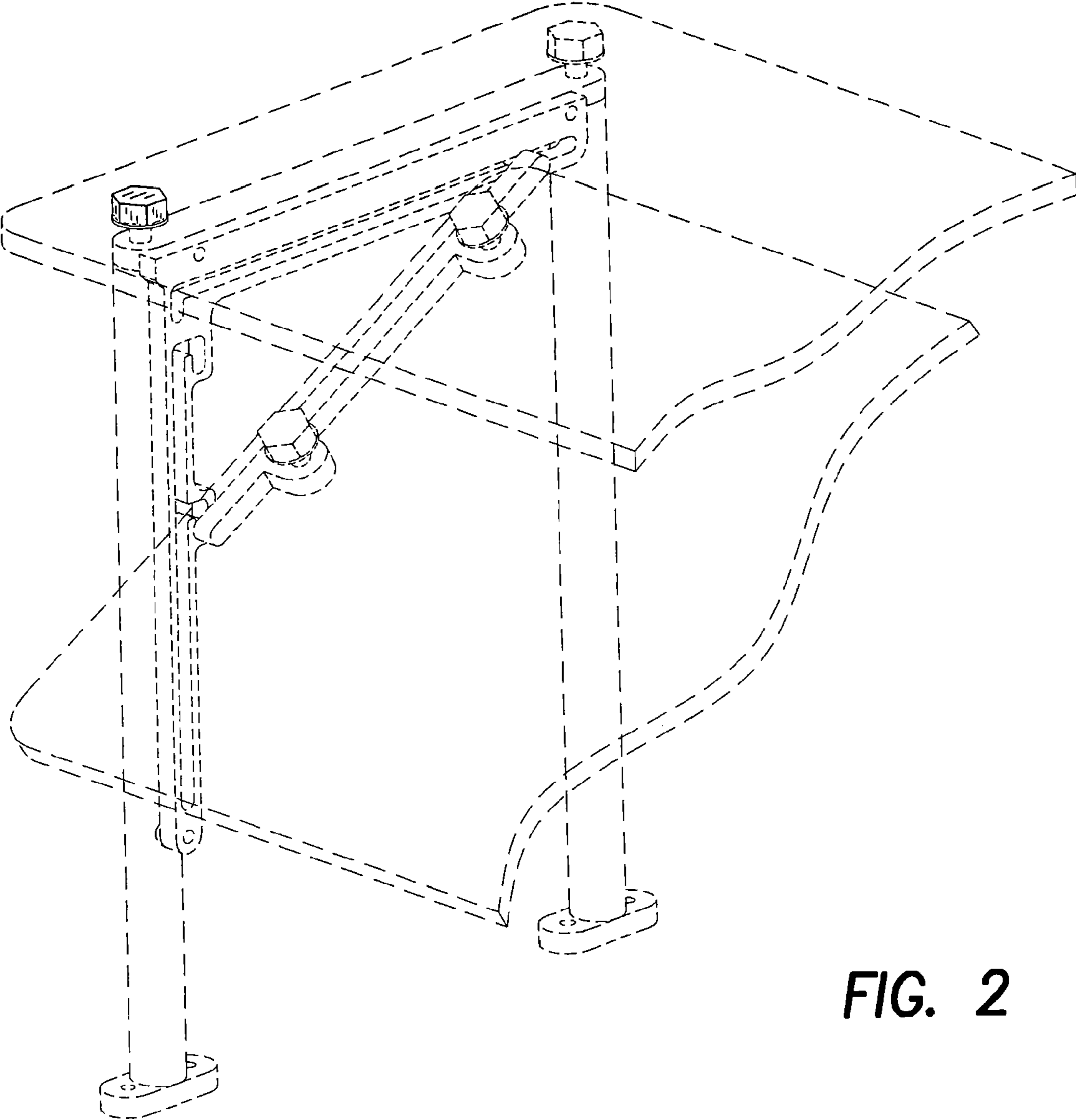


FIG. 2

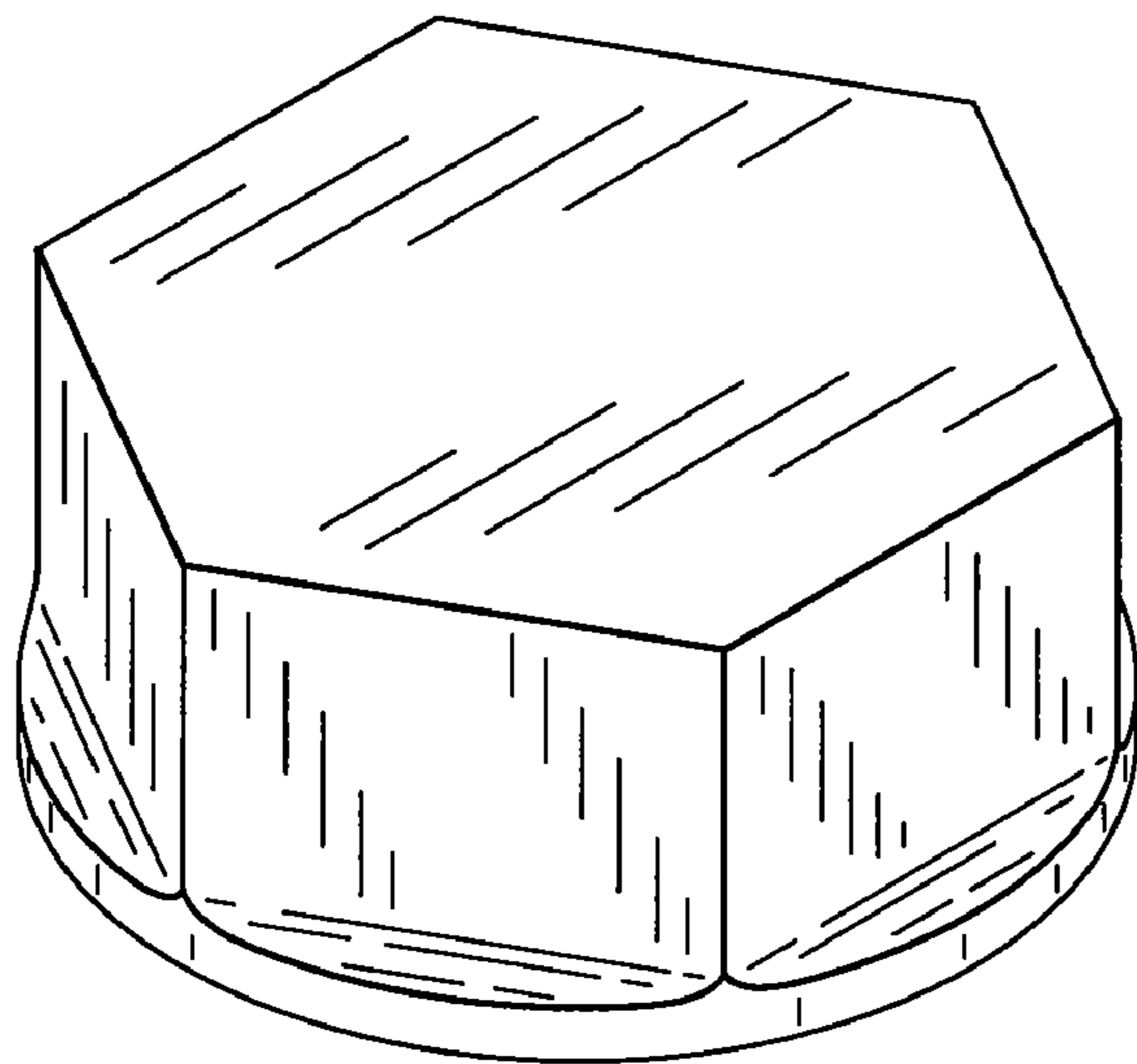


FIG. 3

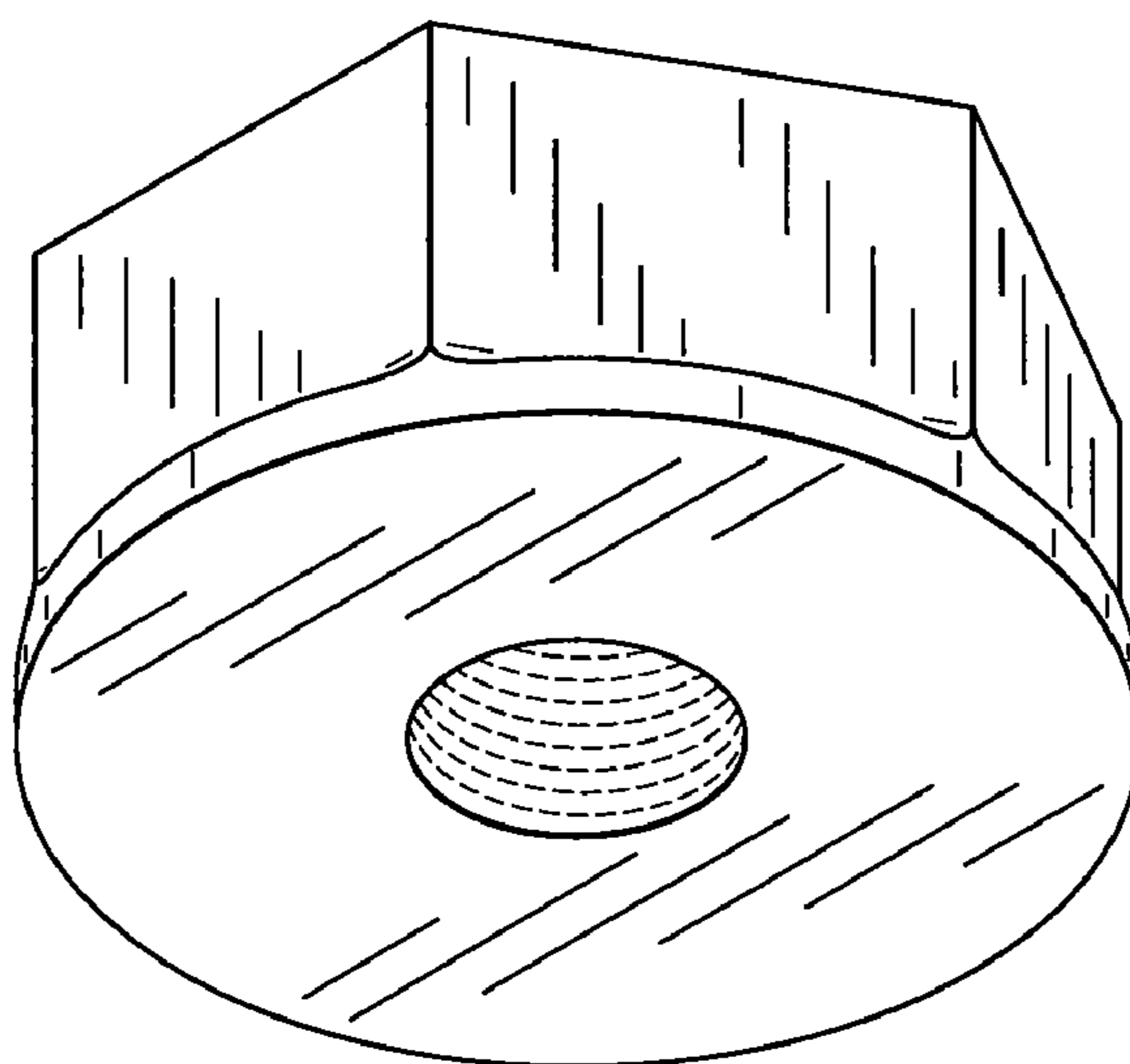


FIG. 4

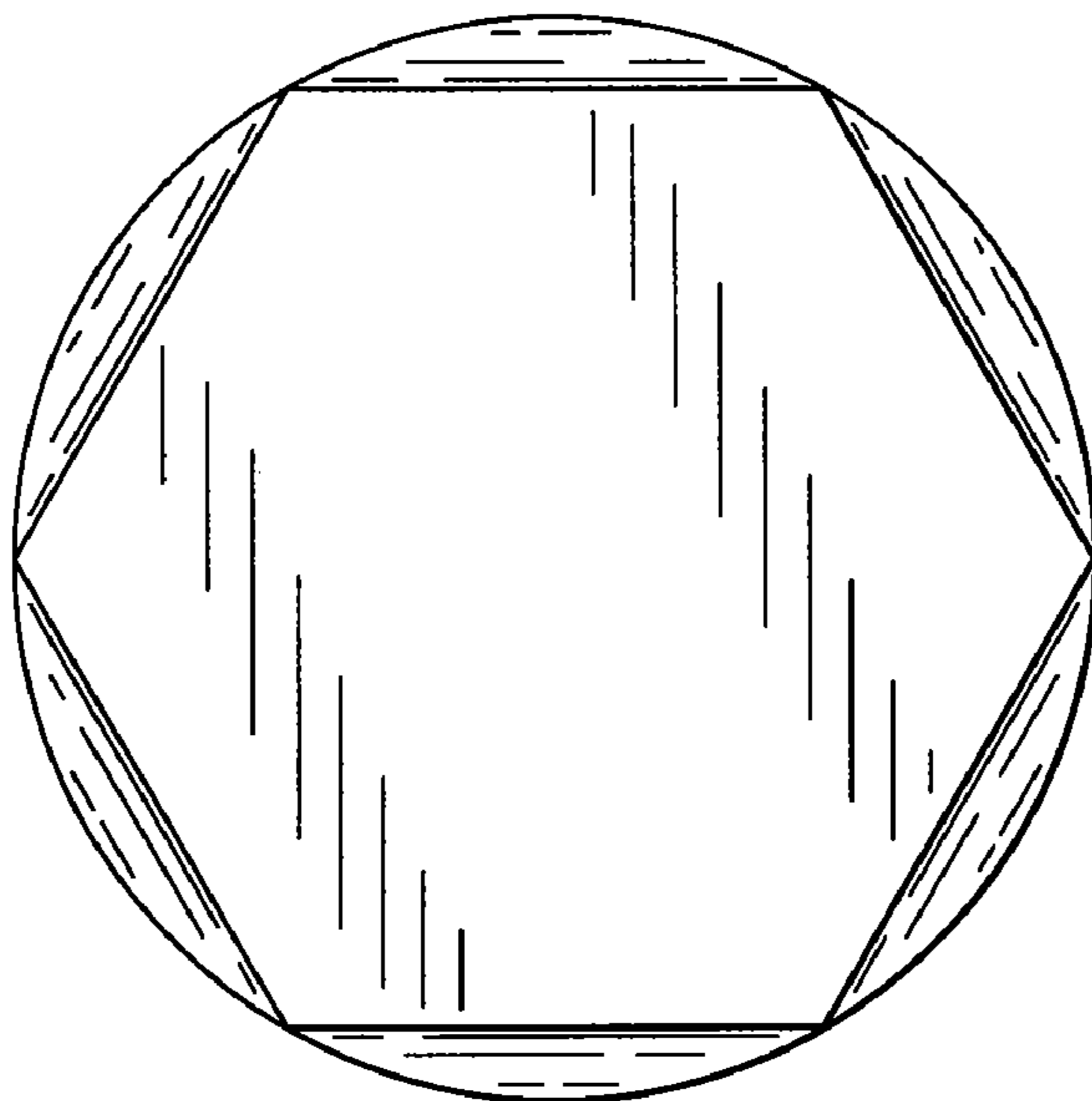


FIG. 5

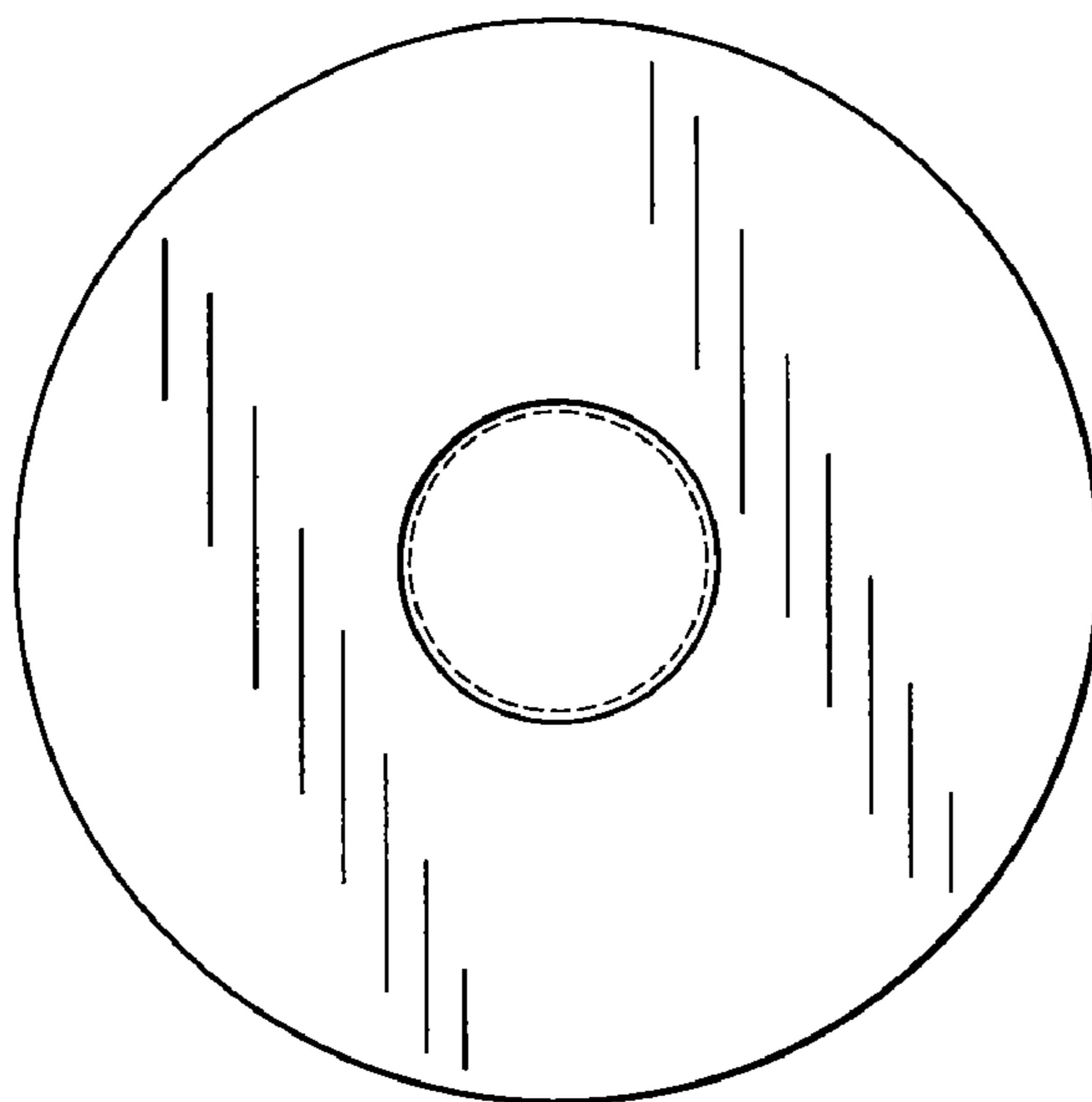


FIG. 6

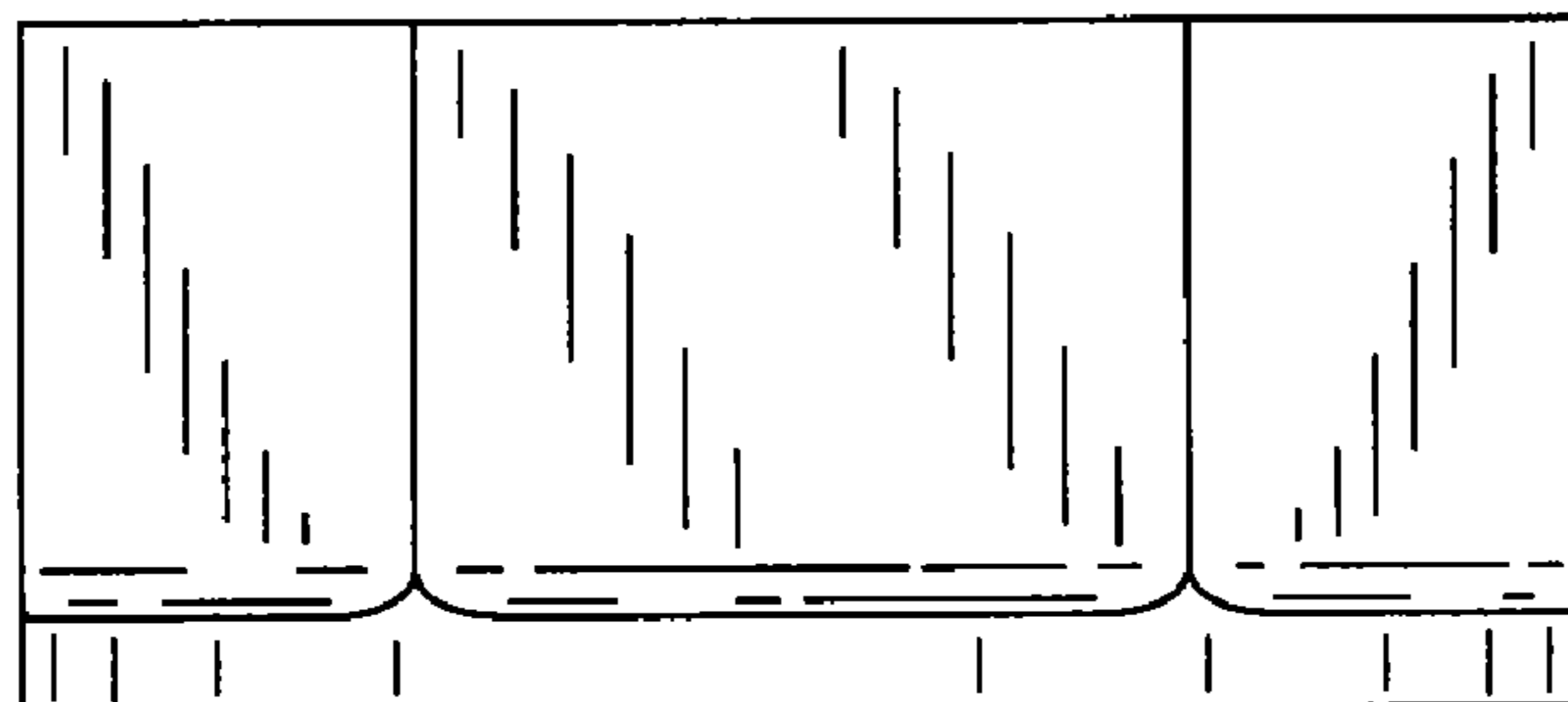


FIG. 7

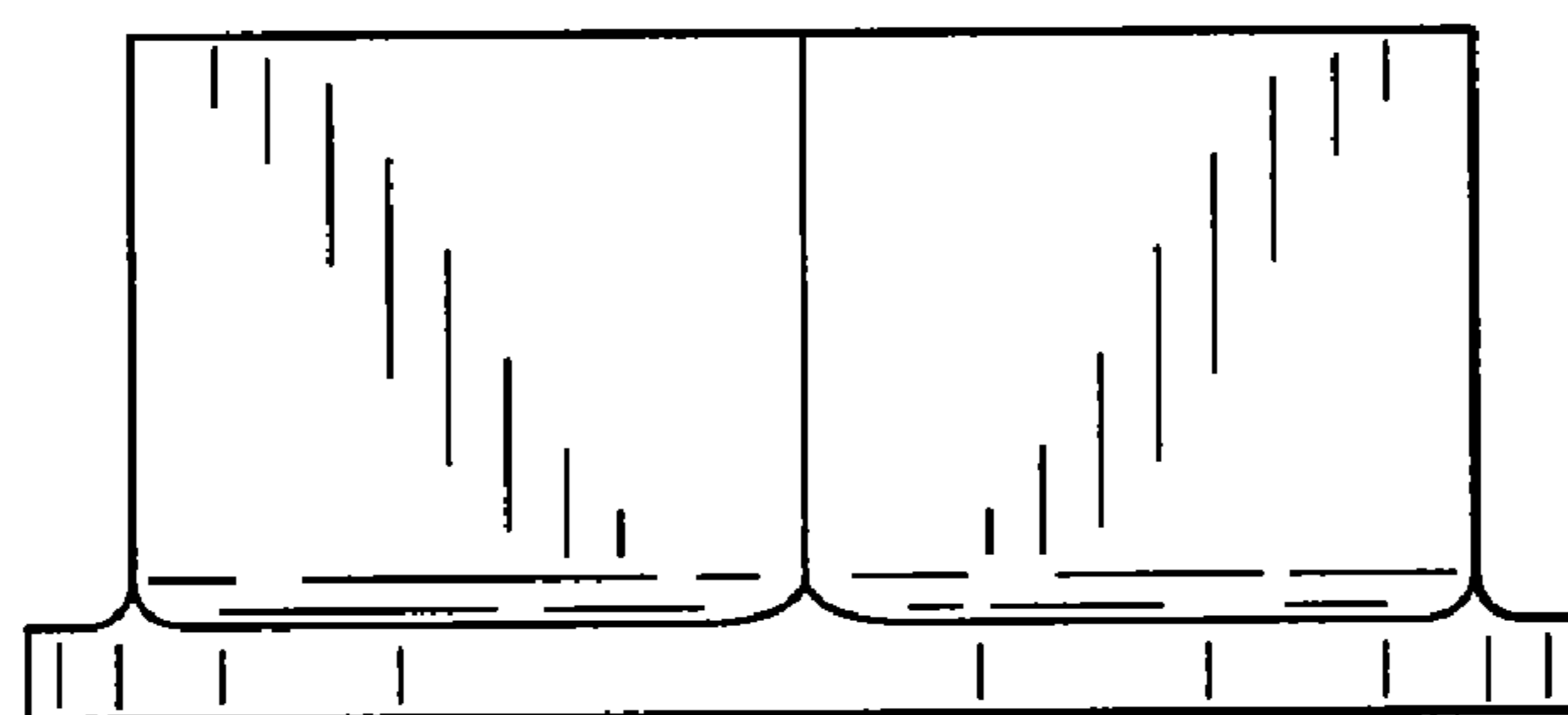


FIG. 8