



US00D626819S

(12) **United States Design Patent**
Miller et al.

(10) **Patent No.:** **US D626,819 S**
(45) **Date of Patent:** **** Nov. 9, 2010**

(54) **DUAL DAMPENER APPARATUS**

D545,296 S * 6/2007 Yang D14/500
D567,636 S * 4/2008 Morris et al. D8/358

(76) Inventors: **J. Davis Miller**, 6 Horizon Point, Frisco, TX (US) 75034; **Jason R. Ahlgren**, 2218 Bolsover, Houston, TX (US) 77005

* cited by examiner

Primary Examiner—Susan Bennett Hattan

(74) *Attorney, Agent, or Firm*—Gardere Wynne Sewell LLP

(**) Term: **14 Years**

(21) Appl. No.: **29/336,558**

(57) **CLAIM**

(22) Filed: **May 5, 2009**

The ornamental design for a dual dampener apparatus, as shown and described.

(51) **LOC (9) Cl.** **08-05**

DESCRIPTION

(52) **U.S. Cl.** **D8/360**

FIG. 1 is a perspective view of a dual dampener apparatus in accordance with my invention;

(58) **Field of Classification Search** D8/360, D8/359, 358; D3/24; D15/5, 199, 147, 138; 474/7, 66, 47-53, 29, 198, 196, 161; 248/638, 248/636; 242/532.6, 530.3, 476.6, 118.6; 160/315; 137/355.26, 355.2, 355.16; 102/407, 102/406

FIG. 2 is a front elevation view of the dual dampener apparatus shown in FIG. 1;

See application file for complete search history.

FIG. 3 is a back elevation view of the dual dampener apparatus shown in FIG. 1;

(56) **References Cited**

FIG. 4 is a side elevation view of the dual dampener apparatus shown in FIG. 1;

U.S. PATENT DOCUMENTS

FIG. 5 is a side elevation view opposite the view shown in FIG. 4 of the dual dampener apparatus shown in FIG. 1;

1,295,067	A *	2/1919	Riley et al.	102/413
1,314,657	A *	9/1919	Huber	102/413
1,318,857	A *	10/1919	Feelan	102/409
1,449,168	A *	3/1923	Elia	102/413
1,489,508	A *	4/1924	Pratt	102/413
1,672,033	A *	6/1928	Mallins	248/346.01
2,056,570	A *	10/1936	Elia	102/409
D106,914	S *	11/1937	Ginter	D15/5
D175,210	S *	7/1955	Dreyfus	D32/23
D186,872	S *	12/1959	Swann	D32/23
2,987,996	A *	6/1961	Morcom et al.	102/406
D419,961	S *	2/2000	Weatherill	D13/154

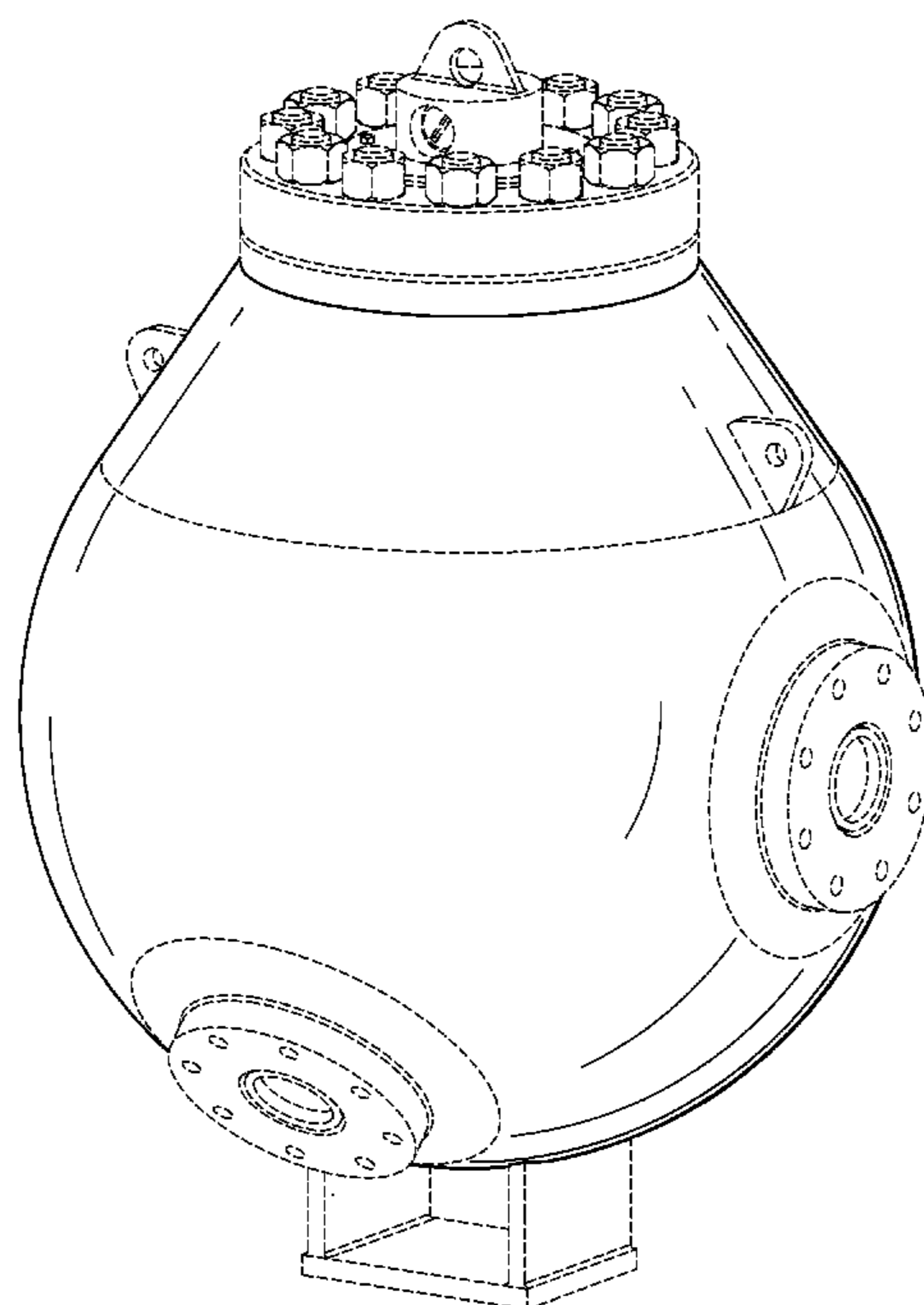
FIG. 6 is a top plan view of the dual dampener apparatus shown in FIG. 1;

FIG. 7 is a bottom plan view of the dual dampener apparatus shown in FIG. 1; and,

FIG. 8 is a reverse perspective view of the dual dampener apparatus shown in FIG. 1.

The broken lines depict environmental subject matter only and form no part of the claimed design.

1 Claim, 8 Drawing Sheets



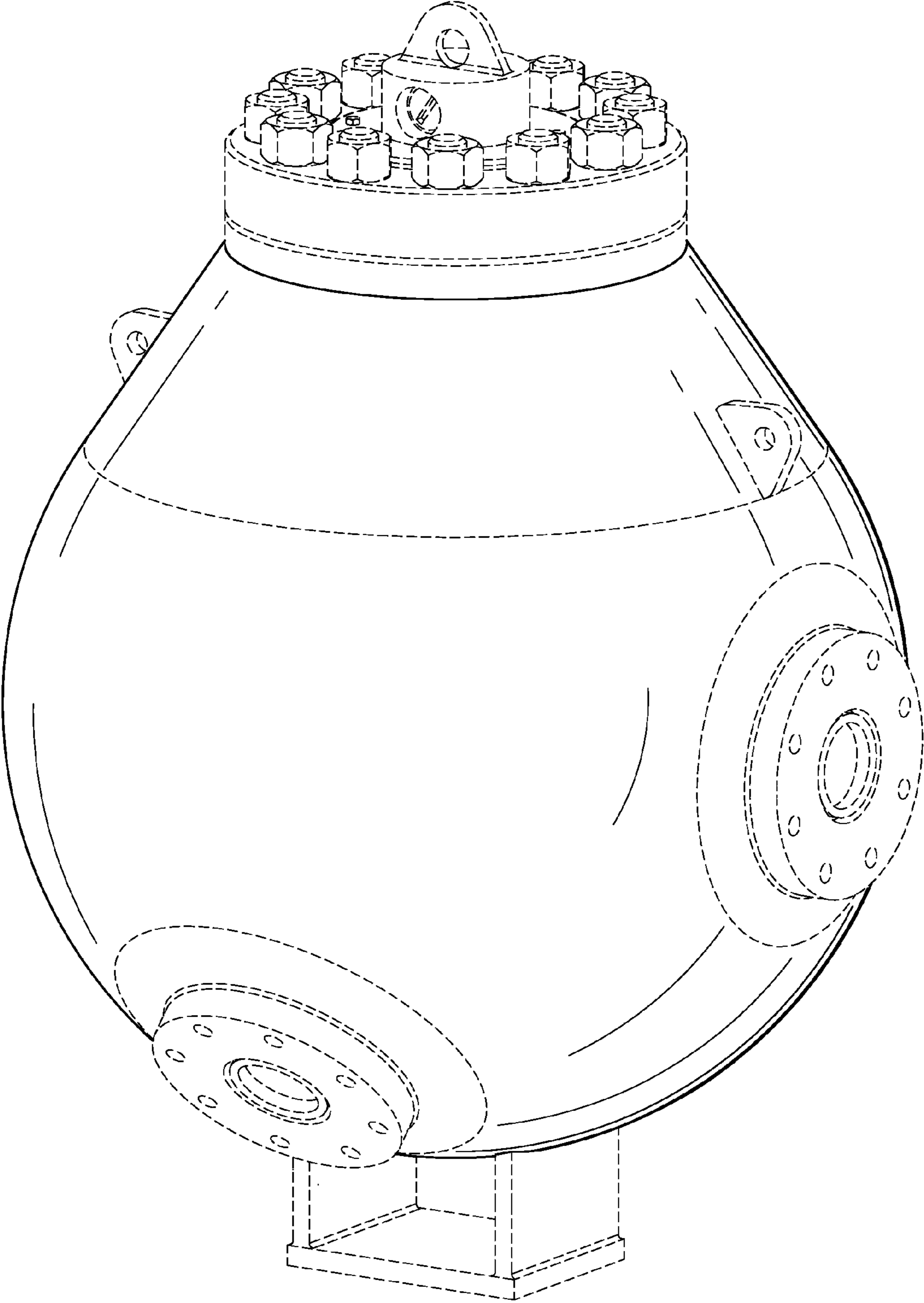


FIG. 1

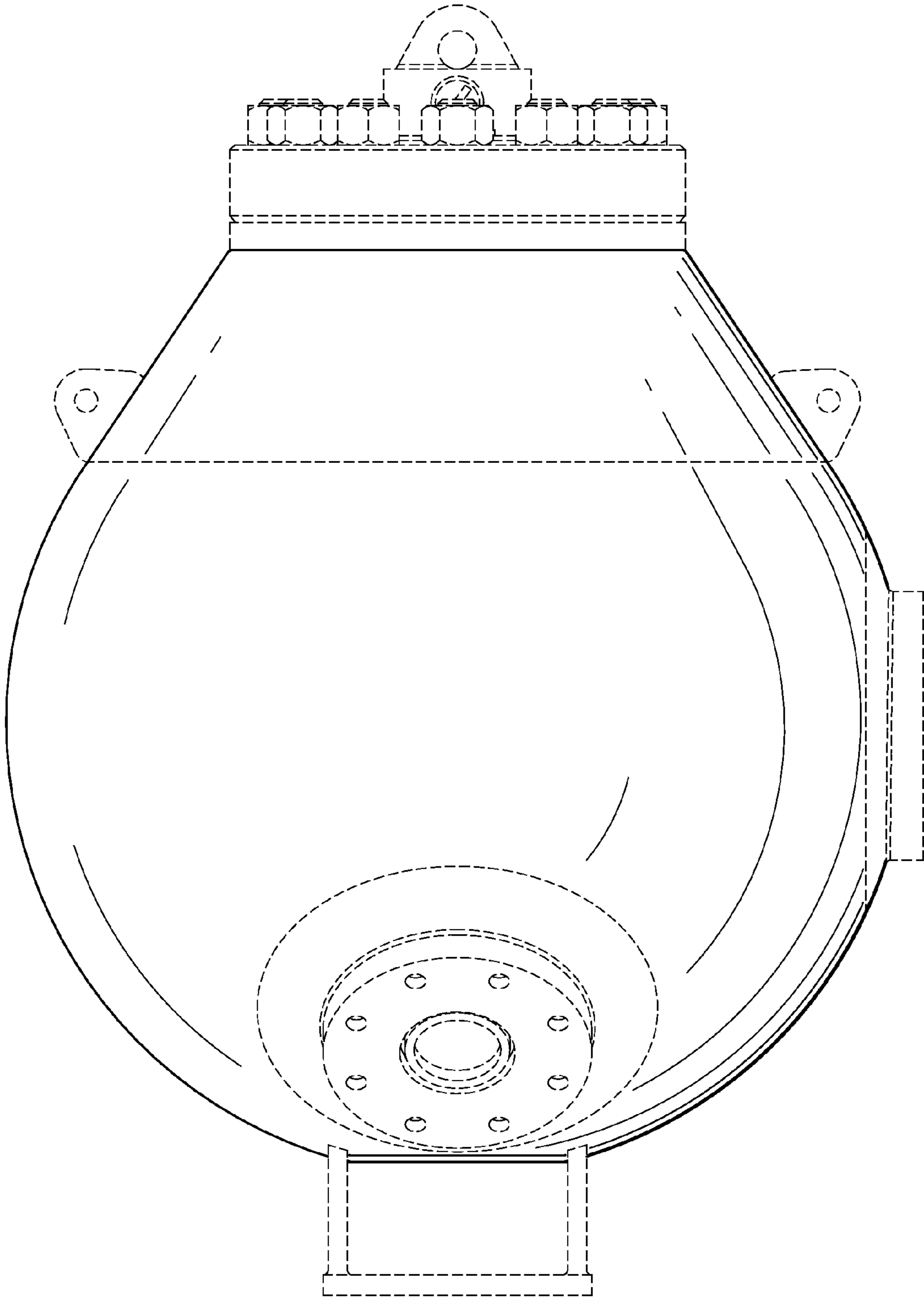


FIG. 2

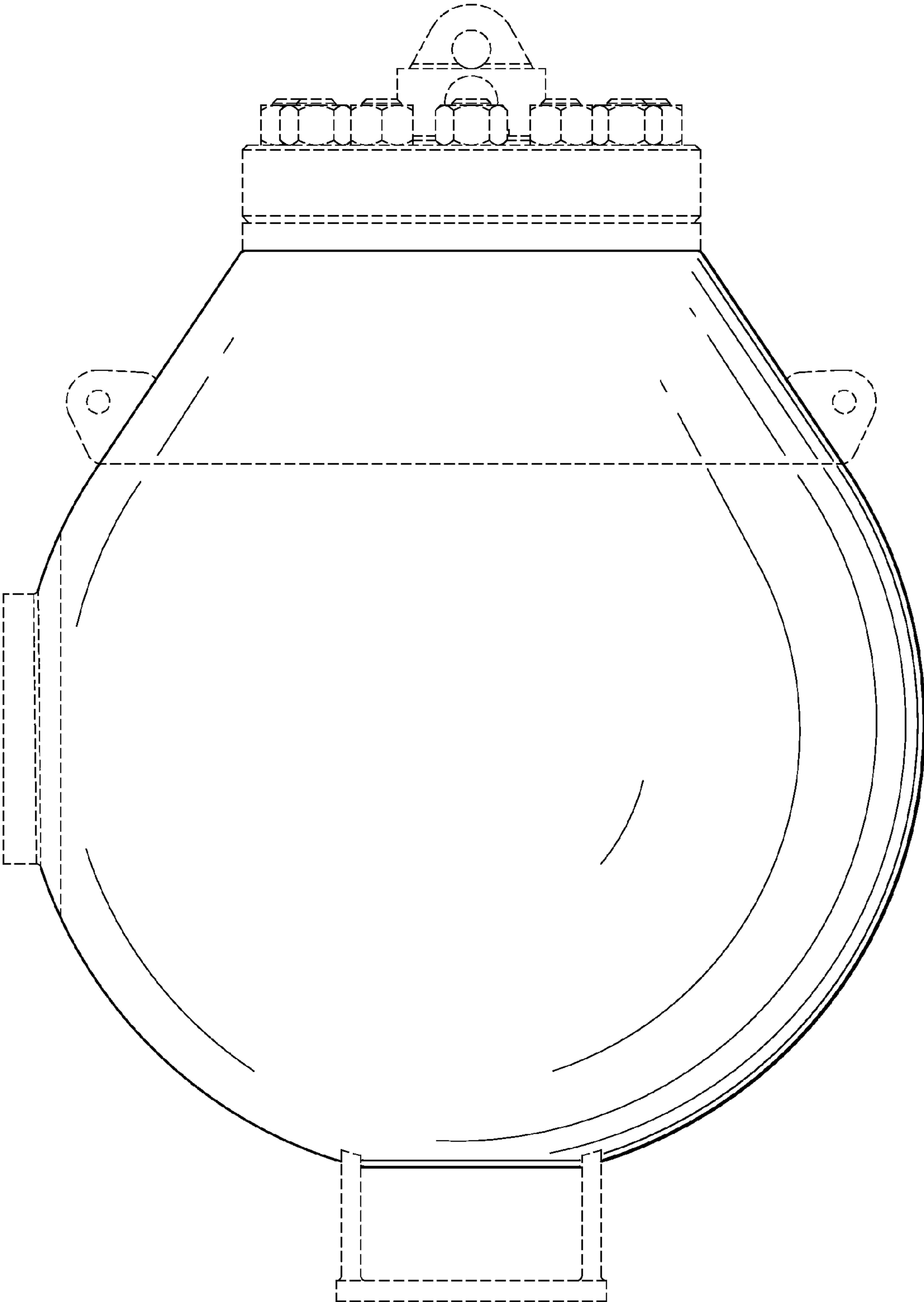


FIG. 3

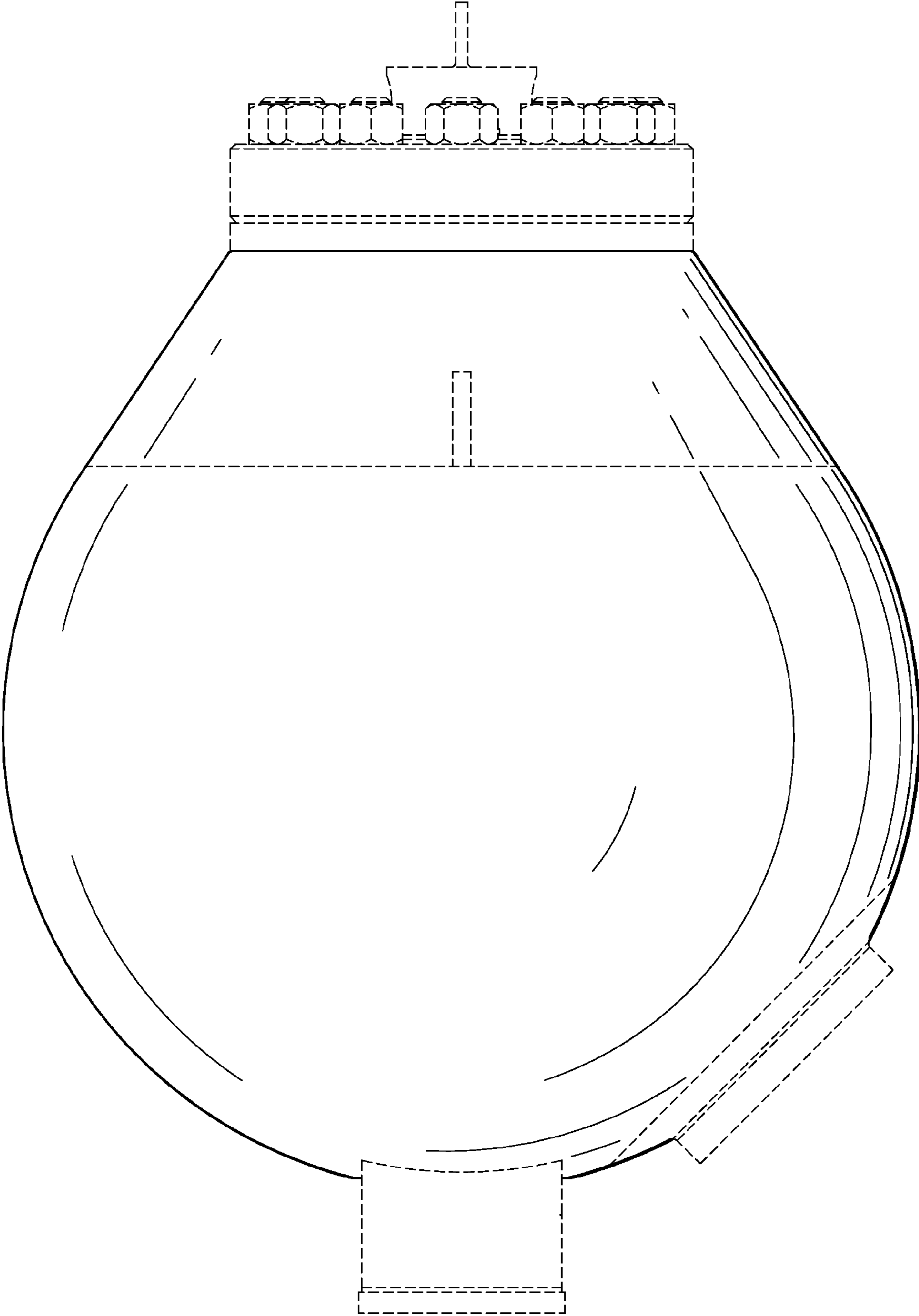


FIG. 4

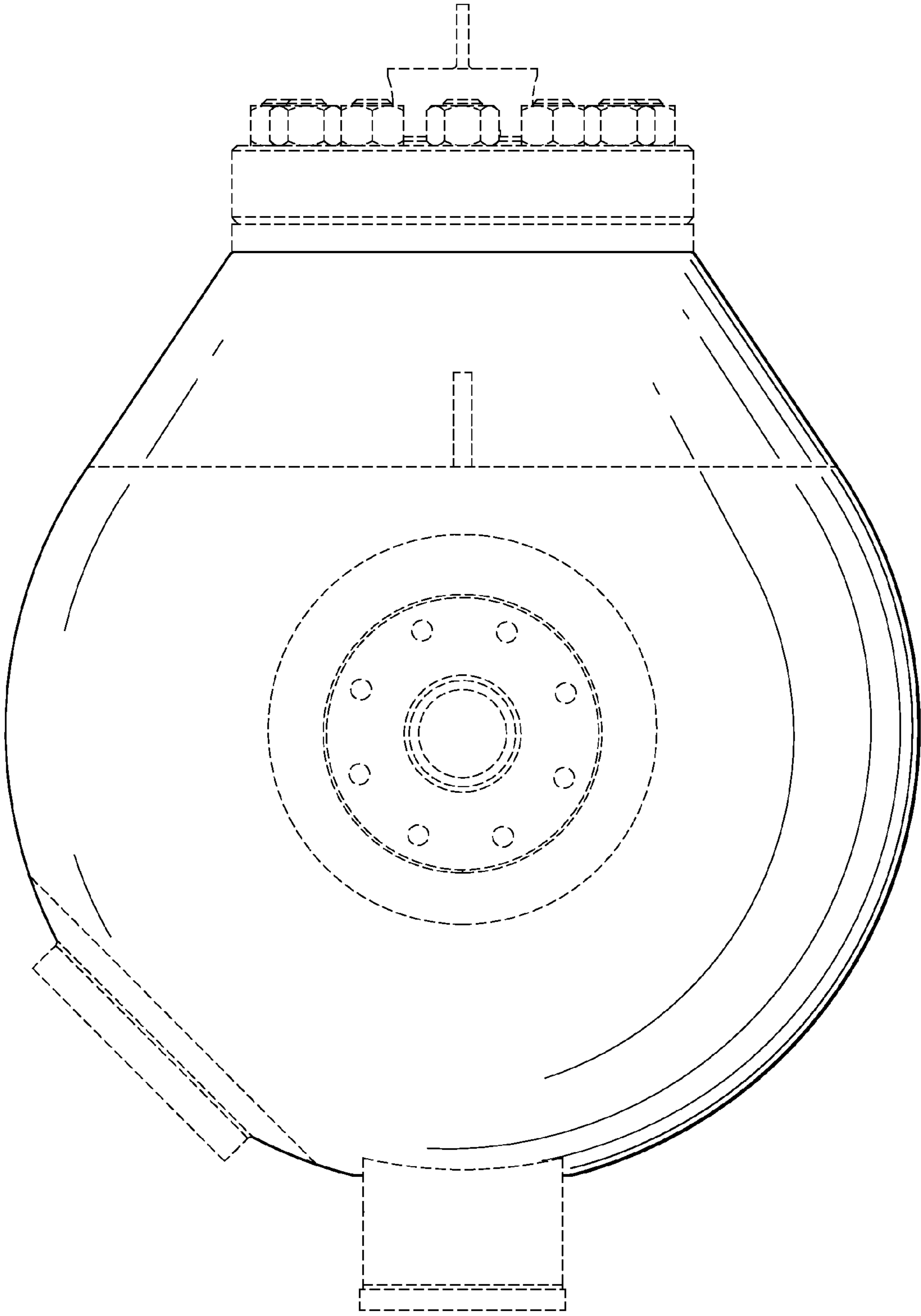


FIG. 5

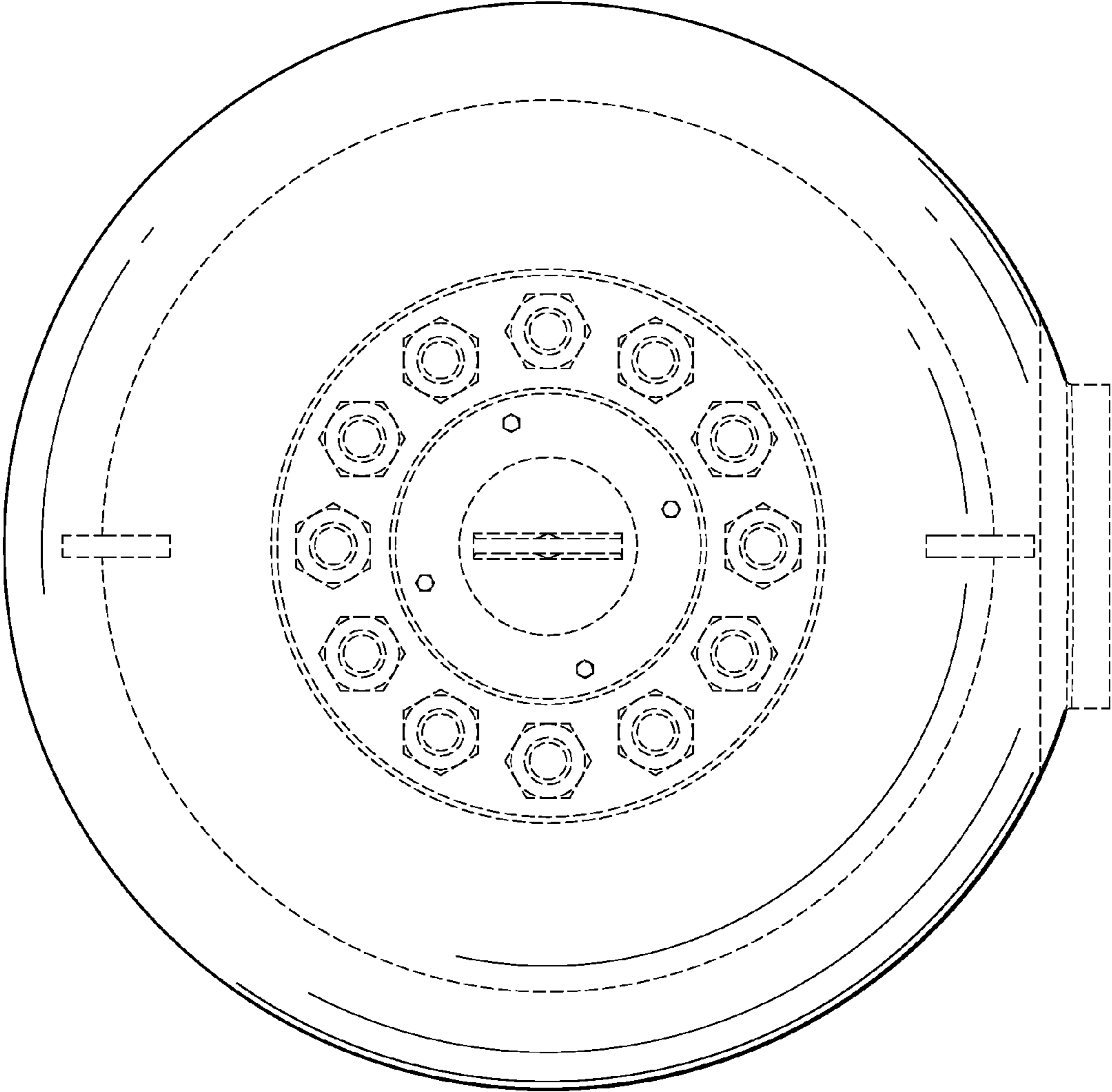


FIG. 6

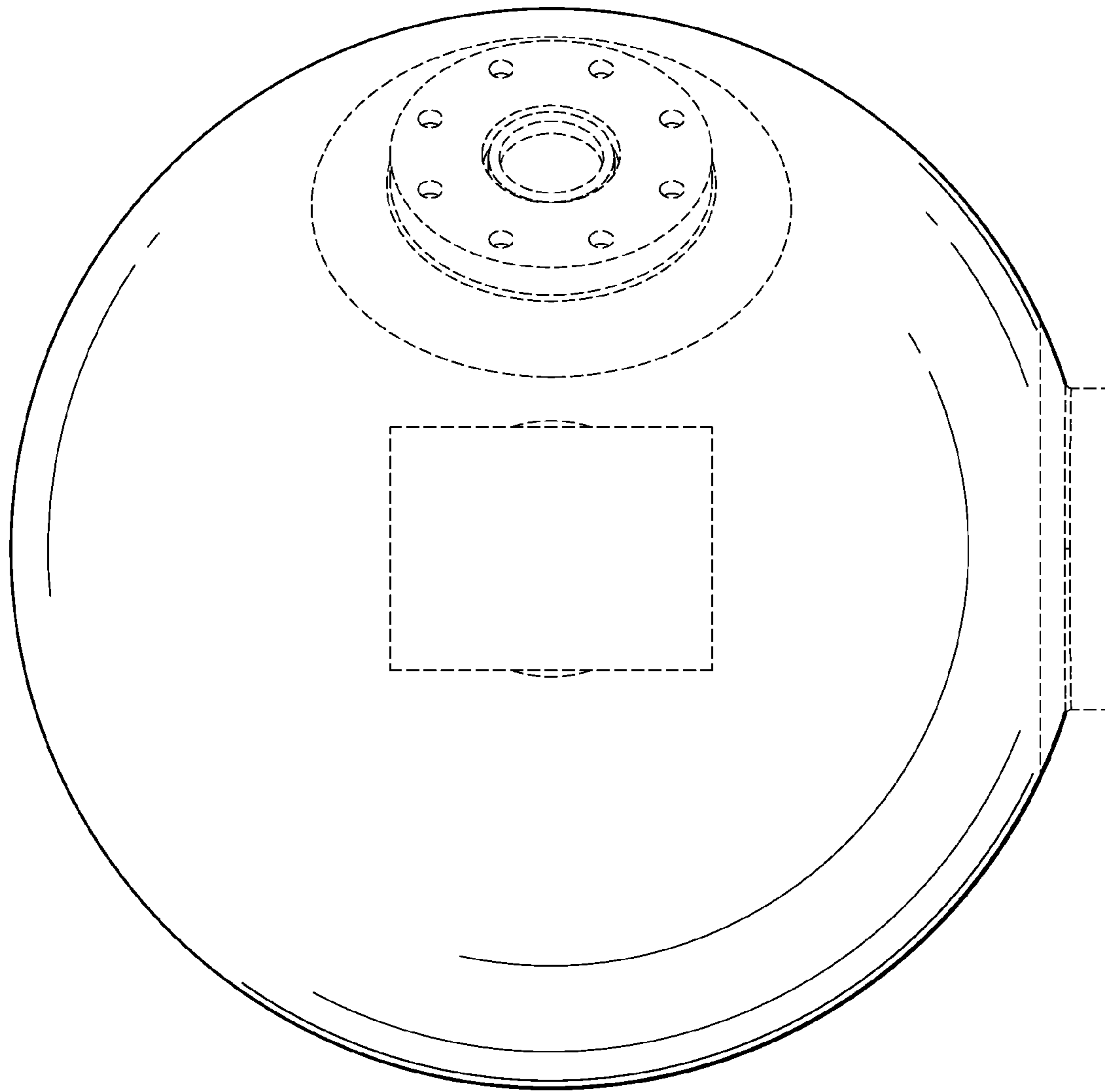


FIG. 7

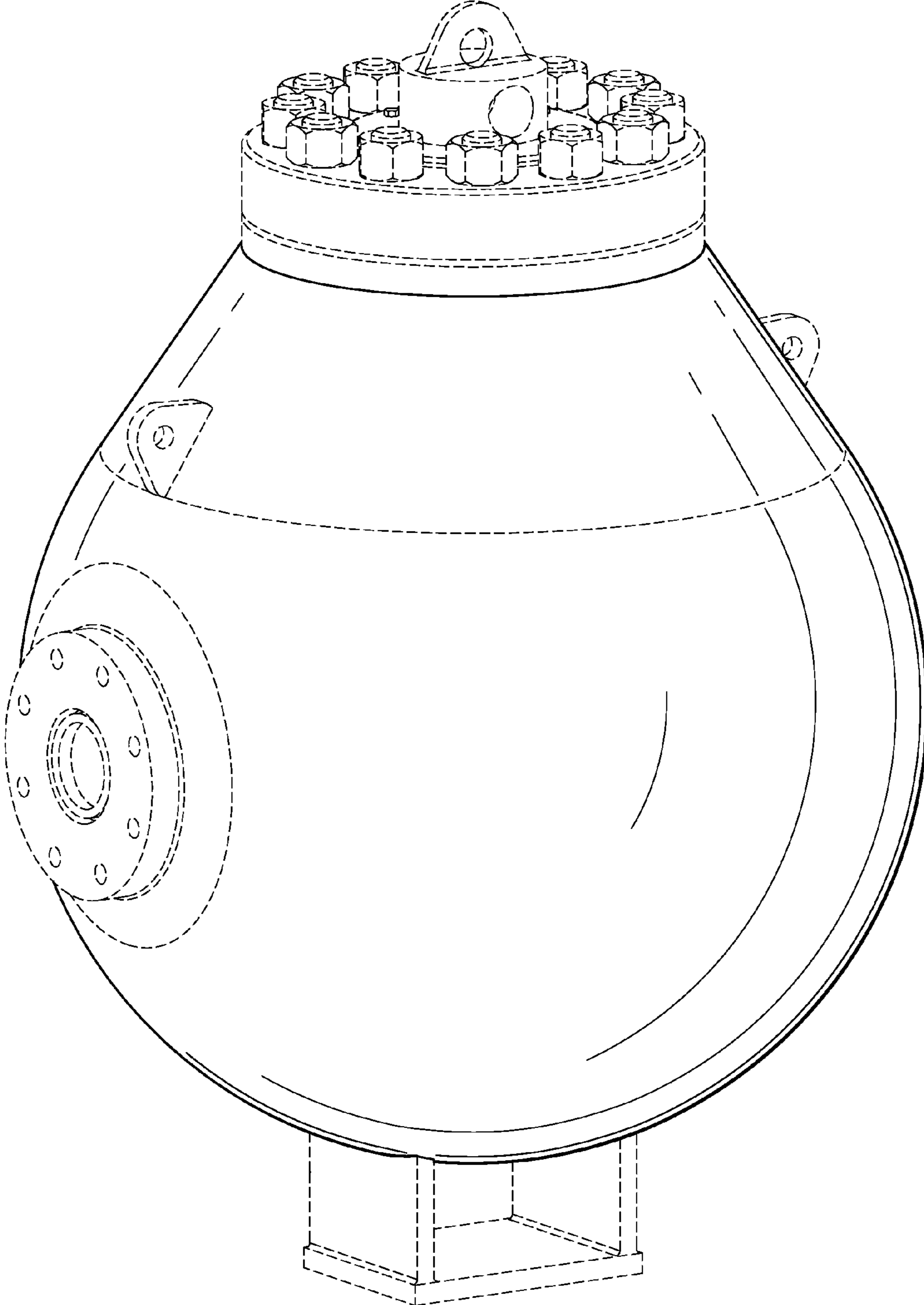


FIG. 8