



US00D626818S

(12) **United States Design Patent**
Tracey

(10) **Patent No.:** **US D626,818 S**

(45) **Date of Patent:** **** Nov. 9, 2010**

(54) **SUPPORT STRUCTURE FOR A REEL**

(75) Inventor: **James B. A. Tracey**, Austin, TX (US)

(73) Assignee: **Great Stuff, Inc.**, Austin, TX (US)

(**) Term: **14 Years**

(21) Appl. No.: **29/336,066**

(22) Filed: **Apr. 28, 2009**

(51) **LOC (9) Cl.** **08-05**

(52) **U.S. Cl.** **D8/358**

(58) **Field of Classification Search** D8/360,
D8/359, 358; D3/24; D15/5, 199, 147, 138;
474/7, 66, 47-53, 29, 198, 196, 161; 248/638,
248/636; 242/532.6, 530.3, 476.6, 118.6;
160/315; 137/355.26, 355.2, 355.16; 102/407,
102/406

See application file for complete search history.

(56) **References Cited**

U.S. PATENT DOCUMENTS

D147,372 S * 8/1947 Marsh D8/359
D241,707 S * 10/1976 Rohling D8/359
D269,522 S * 6/1983 Reichel et al. D15/147
D315,624 S 3/1991 Kimura et al.
6,009,588 A * 1/2000 Rutkowski 15/104.33
D419,961 S 2/2000 Weatherill
6,279,848 B1 8/2001 Mead, Jr.
7,021,583 B2 4/2006 Weatherill et al.
D535,867 S * 1/2007 Lichtscheidl et al. D8/358

7,419,038 B2 * 9/2008 Caamano et al. 191/12.2 R
2007/0194163 A1 8/2007 Okonsky et al.
2009/0057085 A1 * 3/2009 Caamano et al. 191/12.4
2009/0057472 A1 * 3/2009 Tracey 242/398

FOREIGN PATENT DOCUMENTS

DE 19808820 C1 9/1999
FR 2826352 A1 12/2002

* cited by examiner

Primary Examiner—Susan Bennett Hattan

(74) *Attorney, Agent, or Firm*—Knobbe, Martens, Olson & Bear LLP

(57) **CLAIM**

I claim the ornamental design for a support structure for a reel, as shown and described.

DESCRIPTION

FIG. 1 is a top right perspective view of a support structure for a reel.

FIG. 2 is a front view of the reel of FIG. 1.

FIG. 3 is a rear view of the reel of FIG. 1.

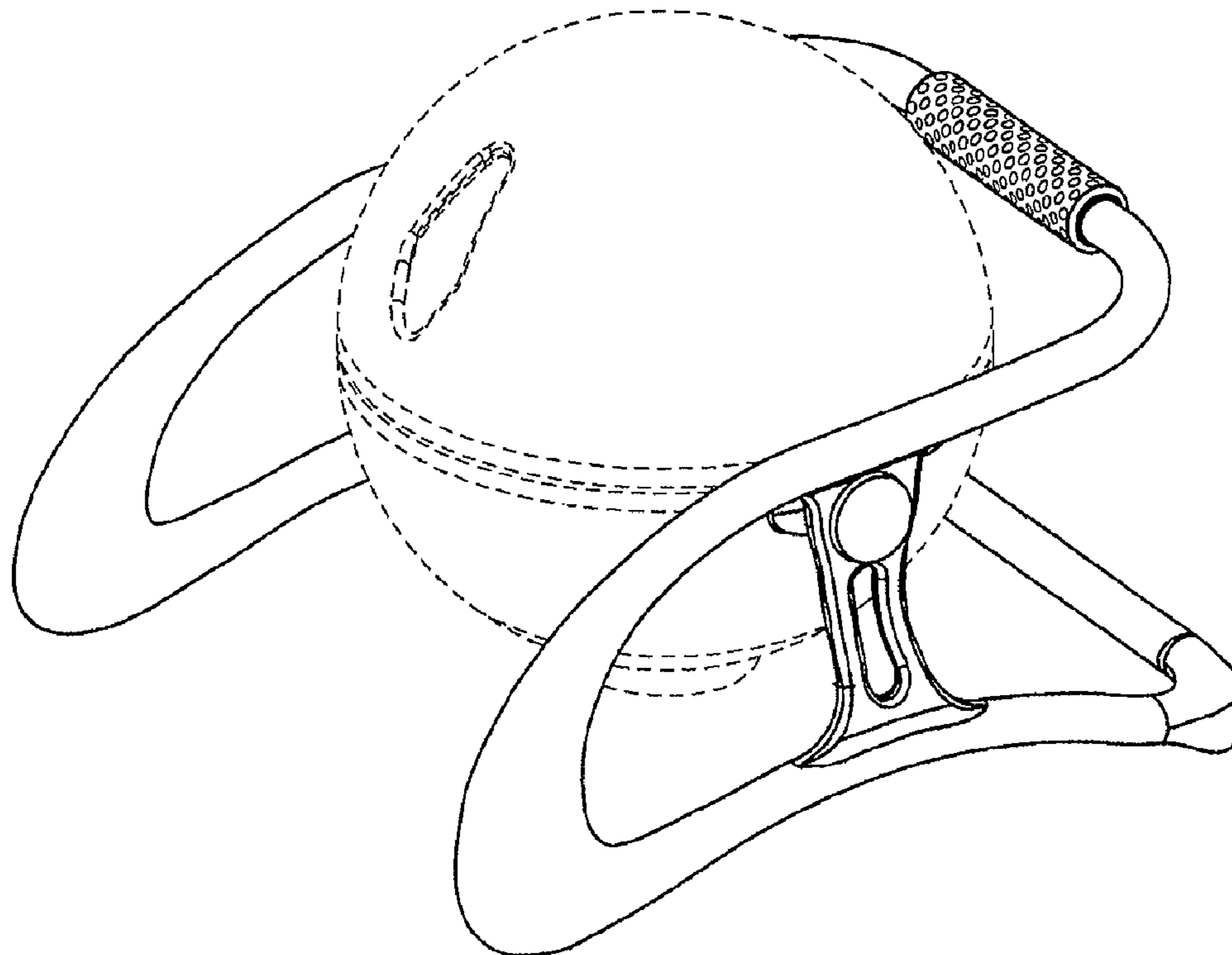
FIG. 4 is a left side view of the reel of FIG. 1.

FIG. 5 is a top view of the reel of FIG. 1; and,

FIG. 6 is a bottom view of the reel of FIG. 1.

The broken lines in the drawings depict environmental subject matter only and form no part of the claimed design.

1 Claim, 6 Drawing Sheets



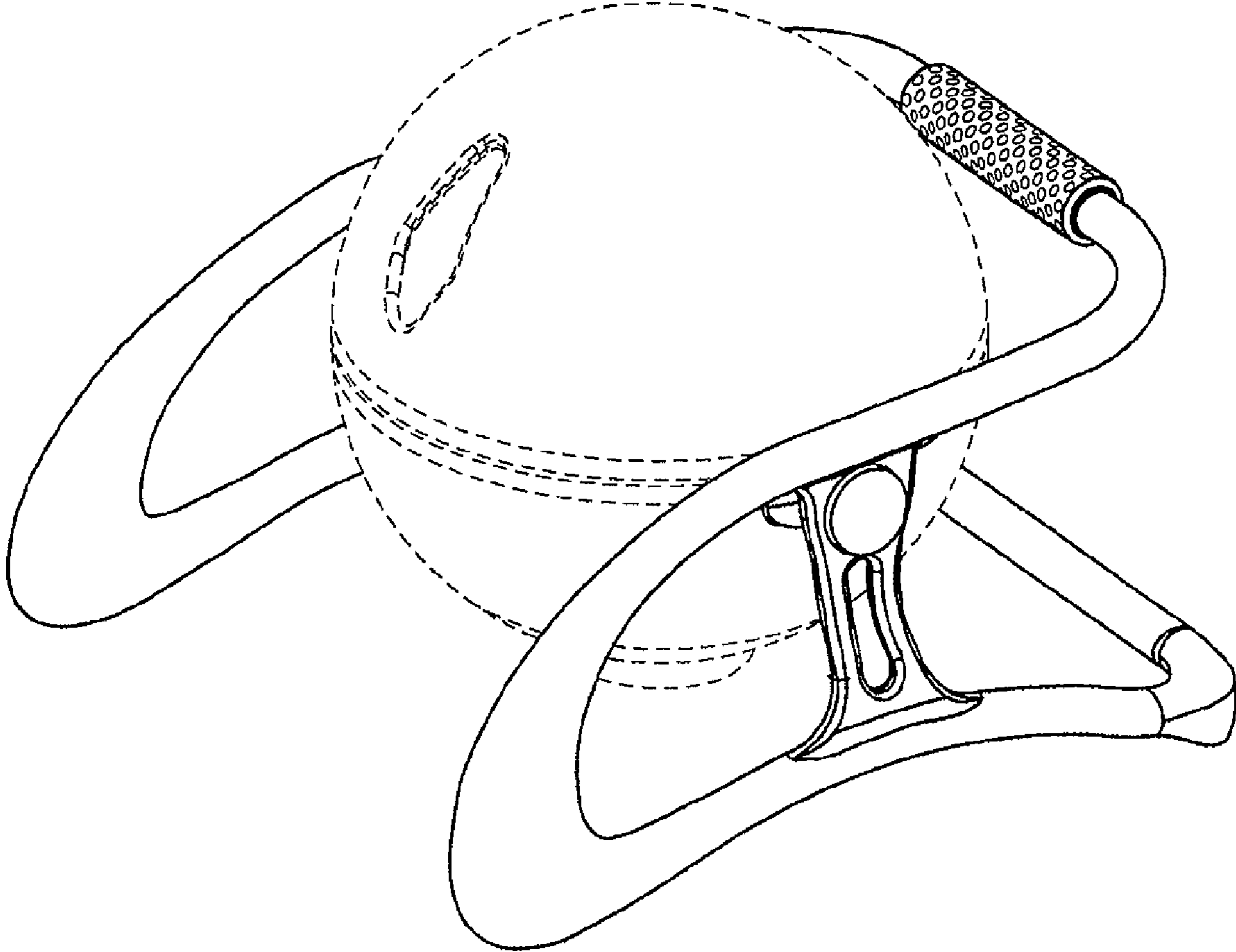


FIG. 1

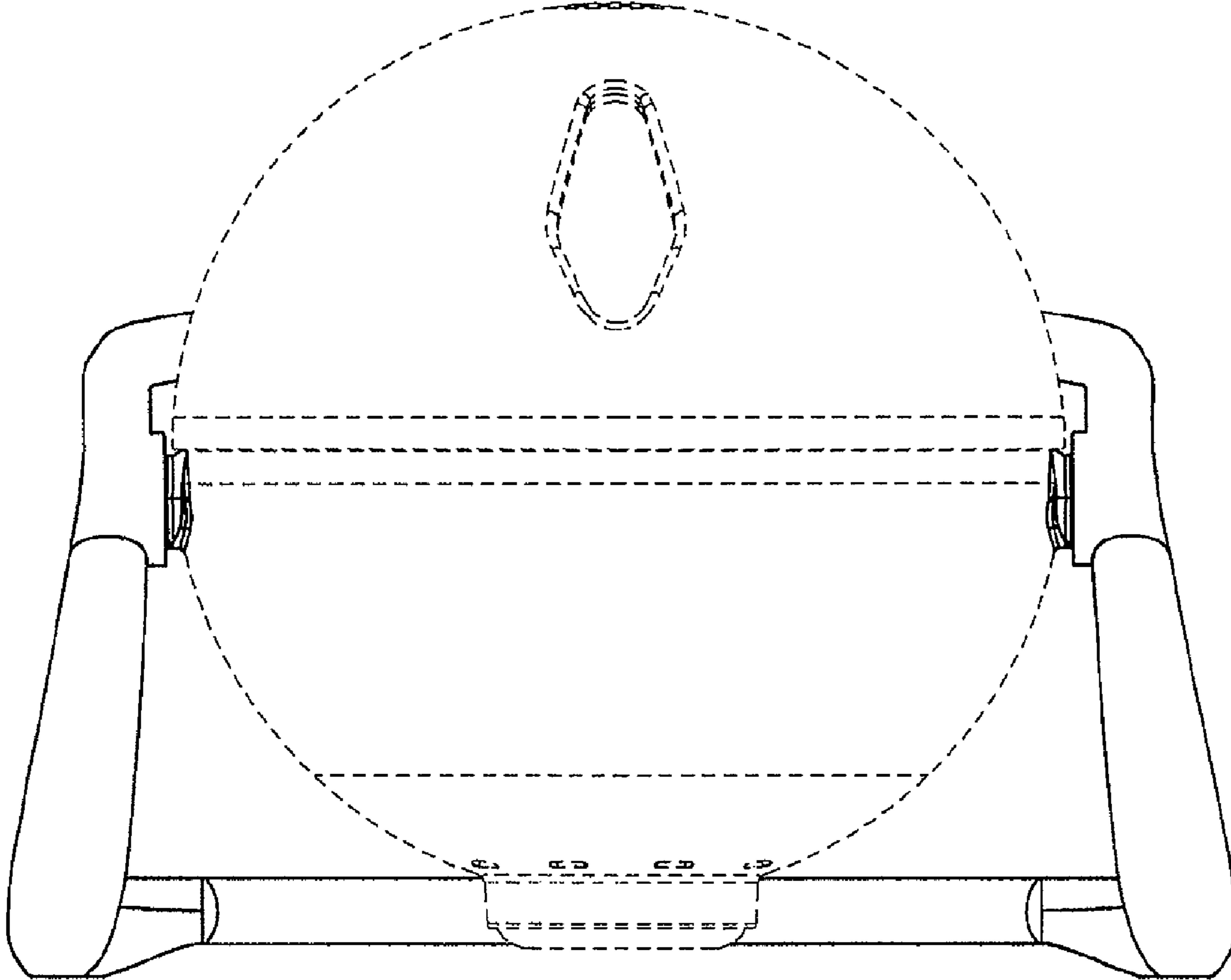


FIG. 2

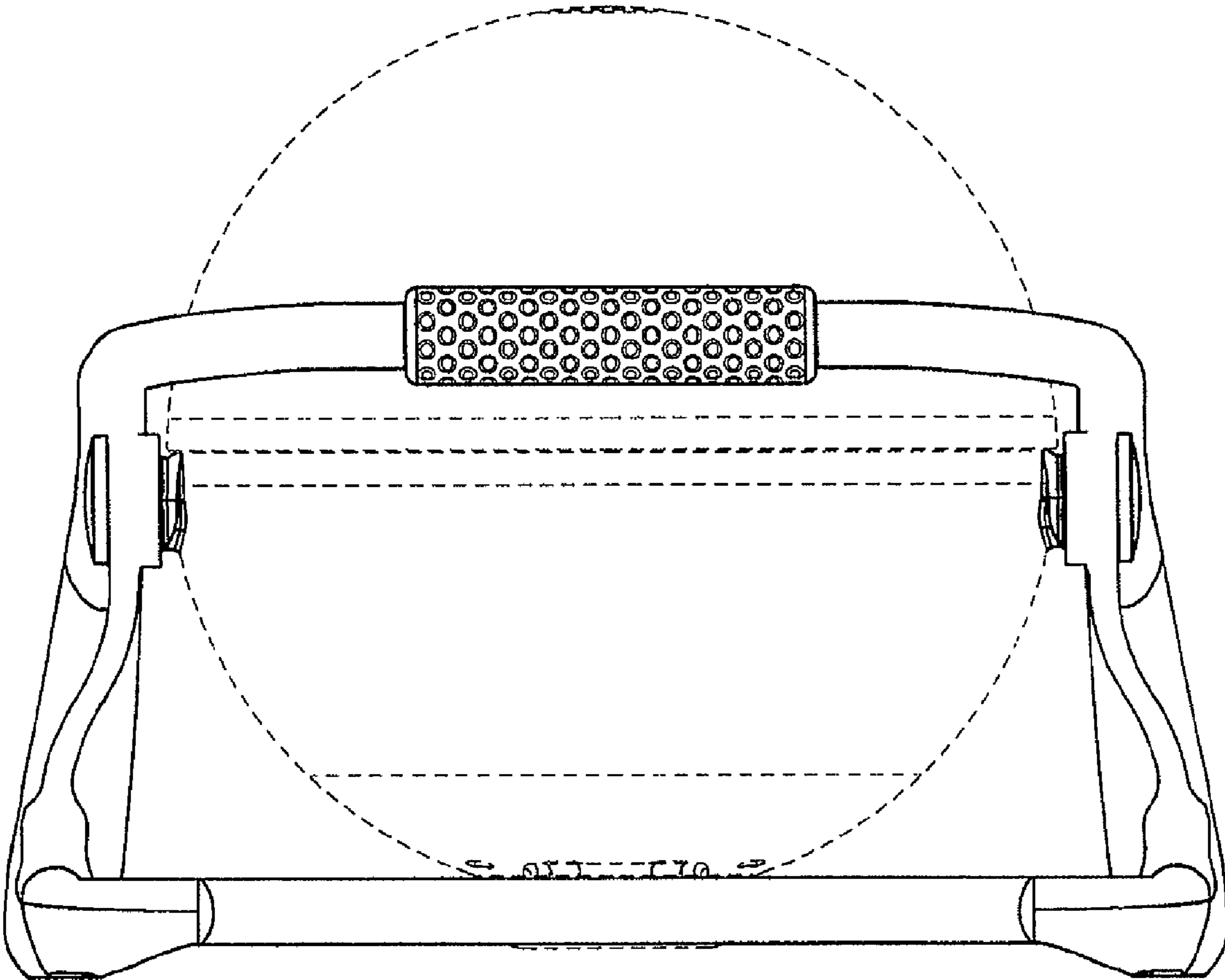


FIG. 3

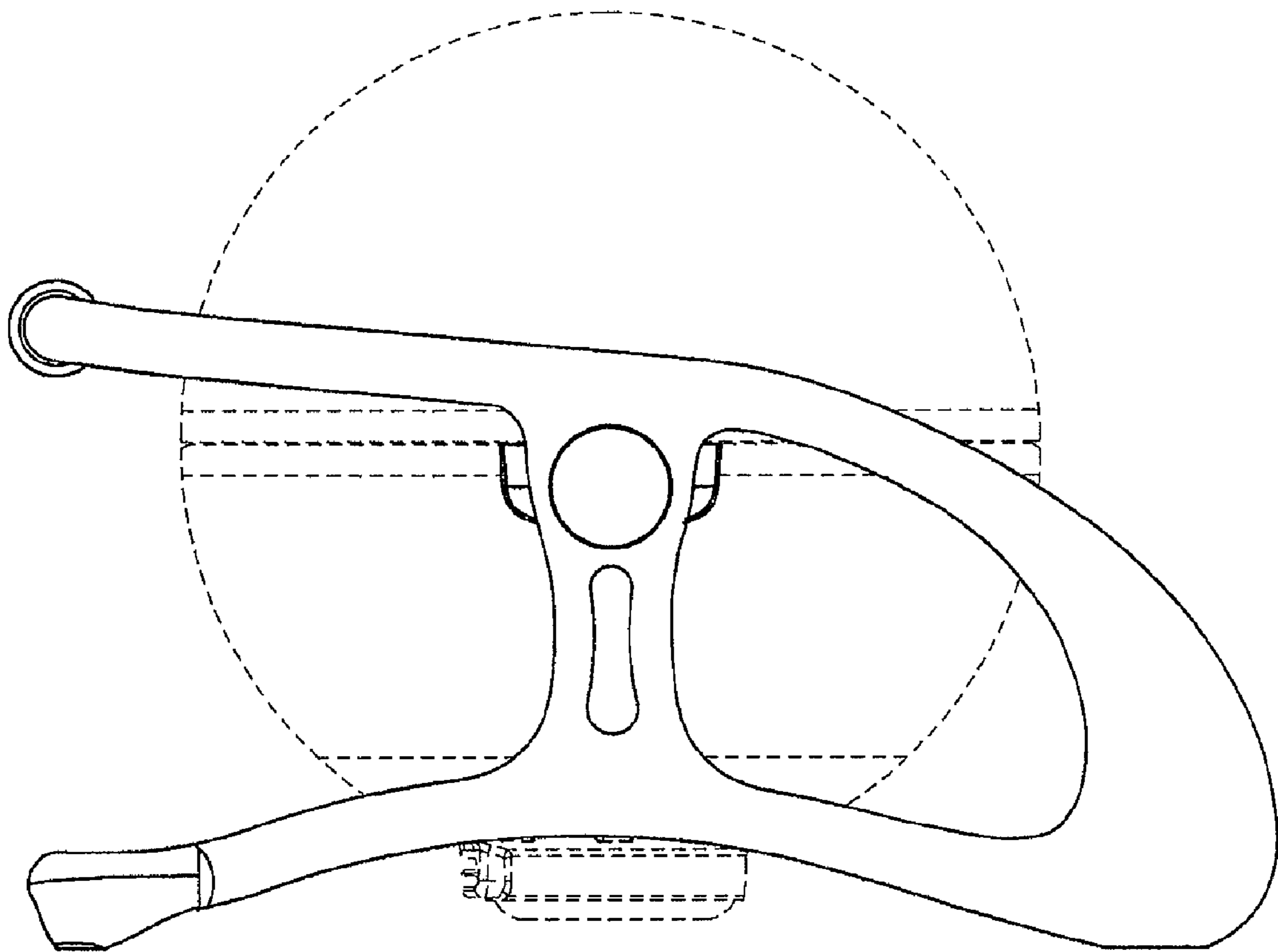


FIG. 4

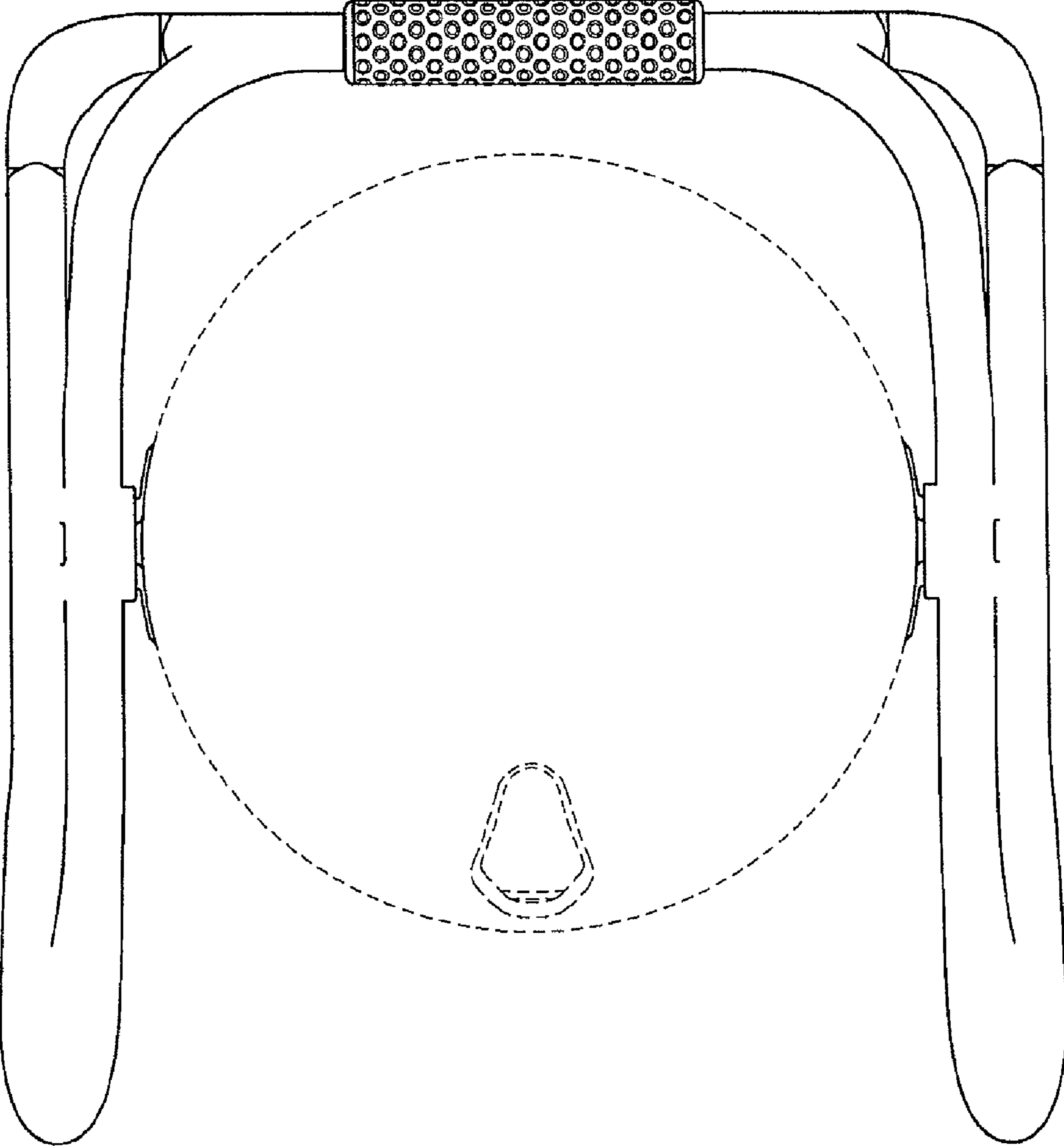


FIG. 5

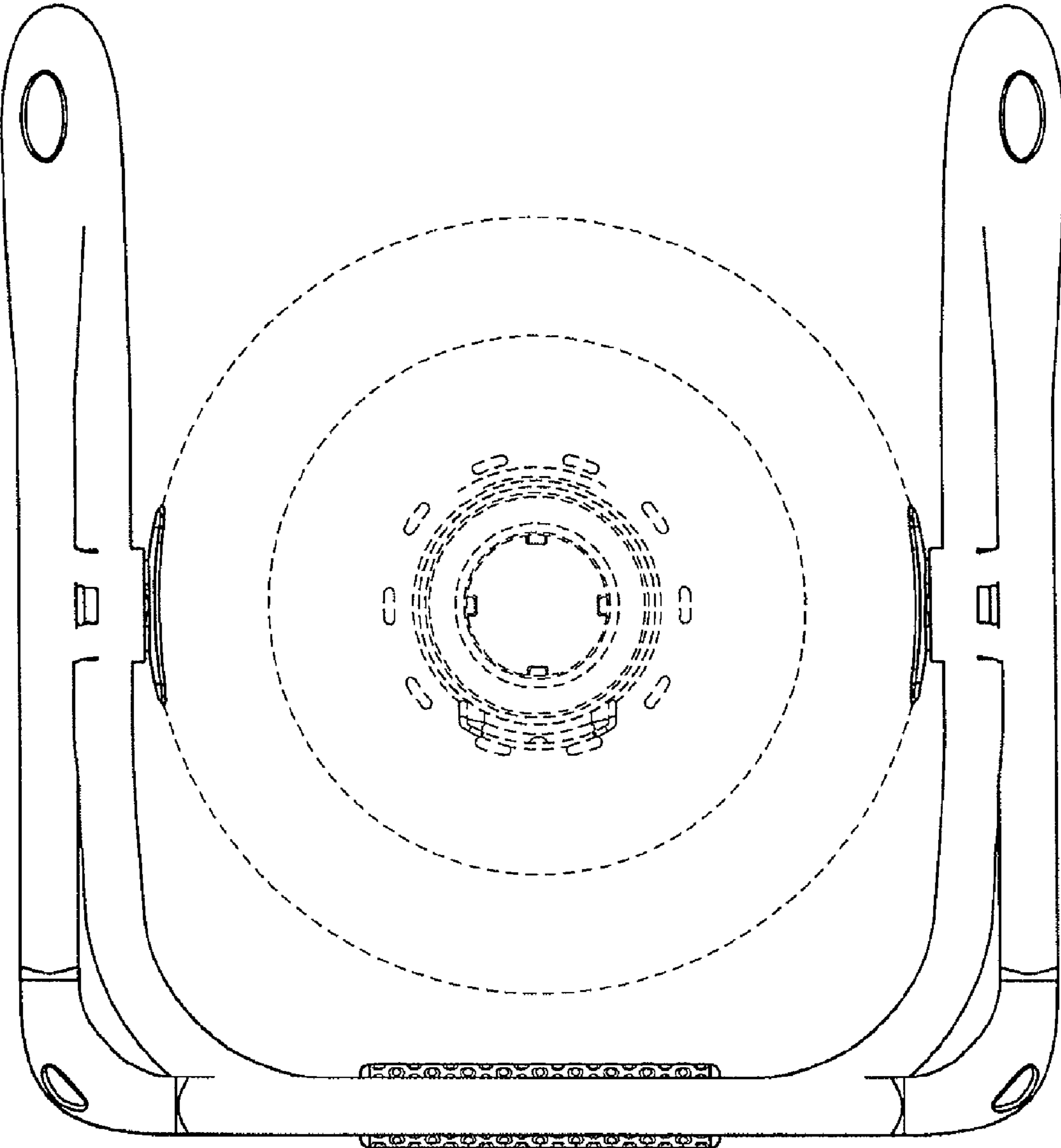


FIG. 6