

US00D626816S

(12) **United States Design Patent**
Claxton

(10) **Patent No.:** **US D626,816 S**

(45) **Date of Patent:** **** Nov. 9, 2010**

(54) **PAIR OF PASSENGER HAND GRIPS FOR A MOTORCYCLE**

(76) **Inventor:** **Ramon Claxton**, 419 E. Lincoln Ave., Mount Vernon, Posey County, IN (US) 47620

(**) **Term:** **14 Years**

(21) **Appl. No.:** **29/316,833**

(22) **Filed:** **Nov. 5, 2009**

(51) **LOC (9) Cl.** **12-11**

(52) **U.S. Cl.** **D8/303**

(58) **Field of Classification Search** D8/300, D8/303, 70, 107, DIG. 8; D12/110, 178, D12/114, 119, 421; 74/488, 489, 502.2, 74/551.1-551.9; 16/110.1, 421, 422, 430, 16/431, DIG. 12; 180/219, 220; 280/288.4; D6/354, 500-502; 297/411.1, 411.2, 411.21-411.29, 297/411.3, 411.31-411.39, 411.4, 411.41-411.46, 297/DIG. 6, 195.1, 201, 214, 215.1, 215.11-215.15, 297/219.1, 219.11, 227, 228

See application file for complete search history.

(56) **References Cited**

U.S. PATENT DOCUMENTS

5,002,149 A * 3/1991 Watanabe et al. 180/219
D334,224 S * 3/1993 Downey D21/756
D352,441 S * 11/1994 Oury et al. D8/303
6,164,725 A * 12/2000 Santa Cruz et al. 297/411.29
D461,390 S * 8/2002 Livingston D8/303
6,868,584 B2 * 3/2005 Trottier 16/421
6,896,279 B2 * 5/2005 Galvagno 280/304.5
6,976,552 B1 * 12/2005 Kicker 180/219

7,182,359 B2 * 2/2007 Galvagno 280/288.4
D555,047 S * 11/2007 Colbert et al. D12/119
7,357,456 B1 * 4/2008 Freer et al. 297/411.38
D593,716 S * 6/2009 Strauss D8/107
RE41,098 E * 2/2010 Yu 74/551.9

* cited by examiner

Primary Examiner—Susan M Lee

Assistant Examiner—Linda G. Brooks

(74) *Attorney, Agent, or Firm*—Gary K. Price

(57) **CLAIM**

The ornamental design for a pair of passenger hand grips for a motorcycle, as shown and described.

DESCRIPTION

FIG. 1 is a top perspective view of the right-hand grip of the pair of passenger hand grips for a motorcycle.

FIG. 2 is a top perspective view of the left-hand grip of the pair of passenger hand grips for a motorcycle.

FIG. 3 is the left side view of FIG. 2.

FIG. 4 is the right side view of FIG. 2.

FIG. 5 is the rear view of FIG. 2.

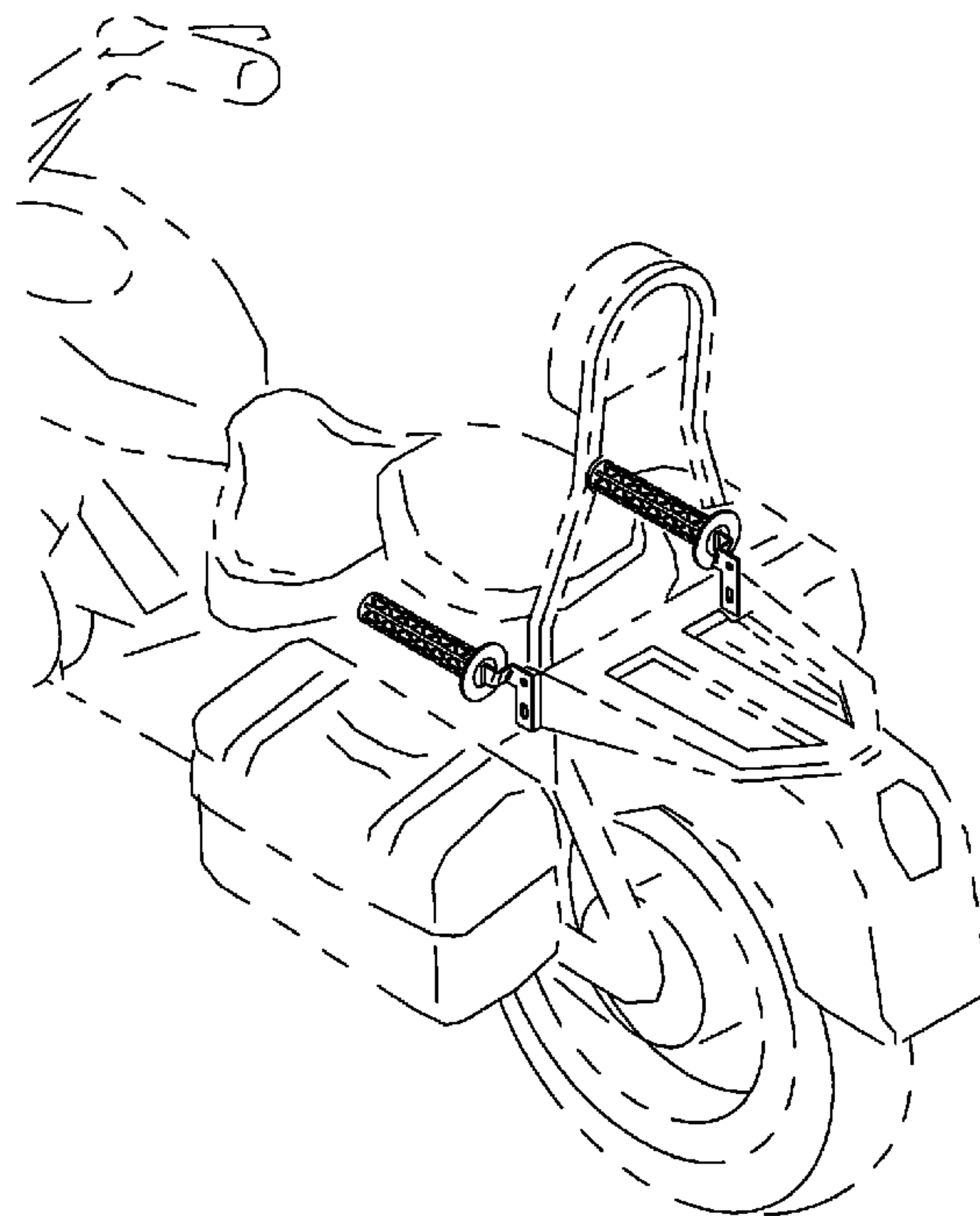
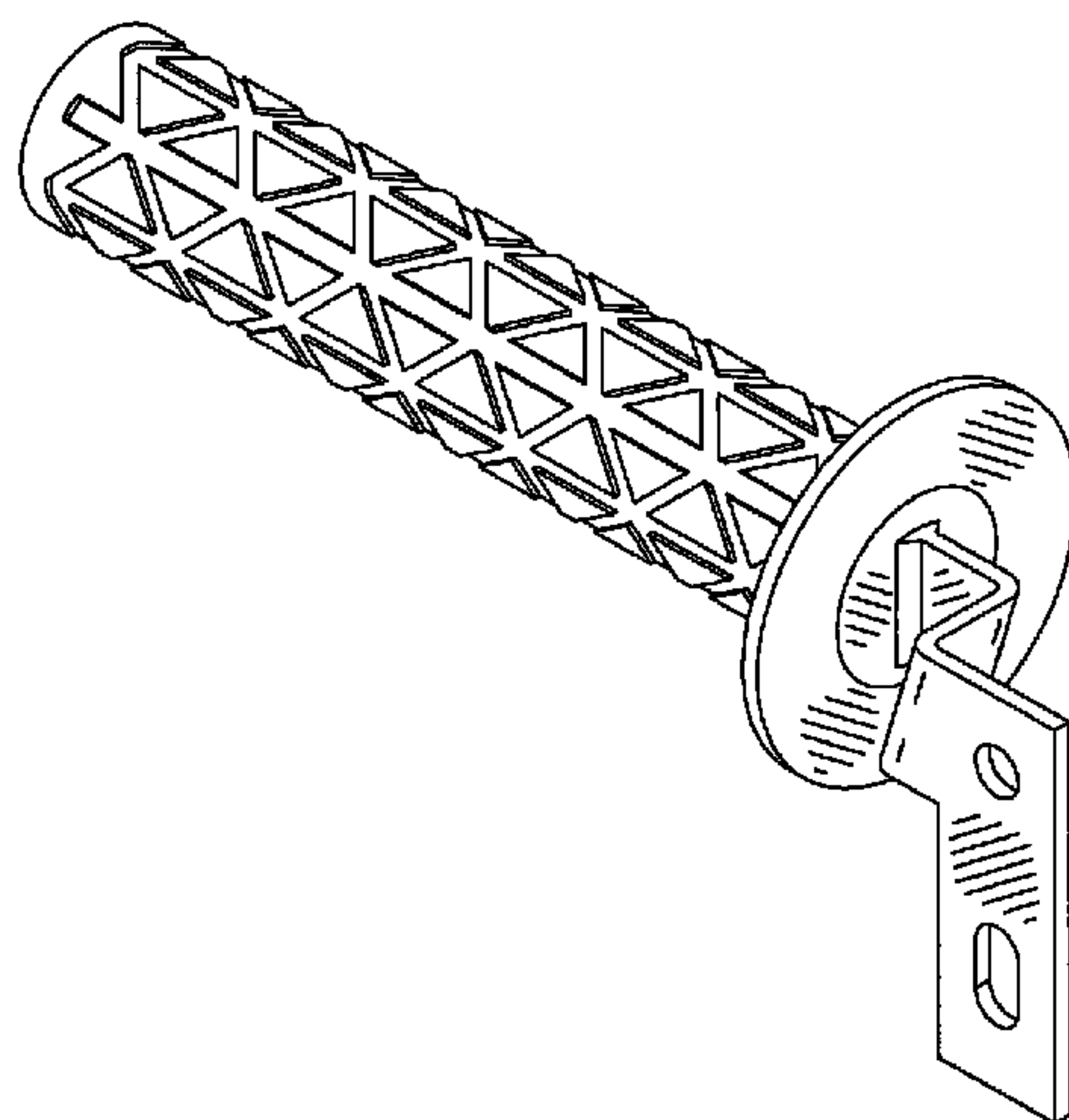
FIG. 6 is the front view of FIG. 2.

FIG. 7 is the top view of FIG. 2.

FIG. 8 is the bottom view of FIG. 2; and,

FIG. 9 is a rear perspective view of the pair of passenger hand grips for a motorcycle in position of use on a motorcycle, which is shown in broken lines to illustrate the environment of the claimed design and forms no part thereof.

1 Claim, 5 Drawing Sheets



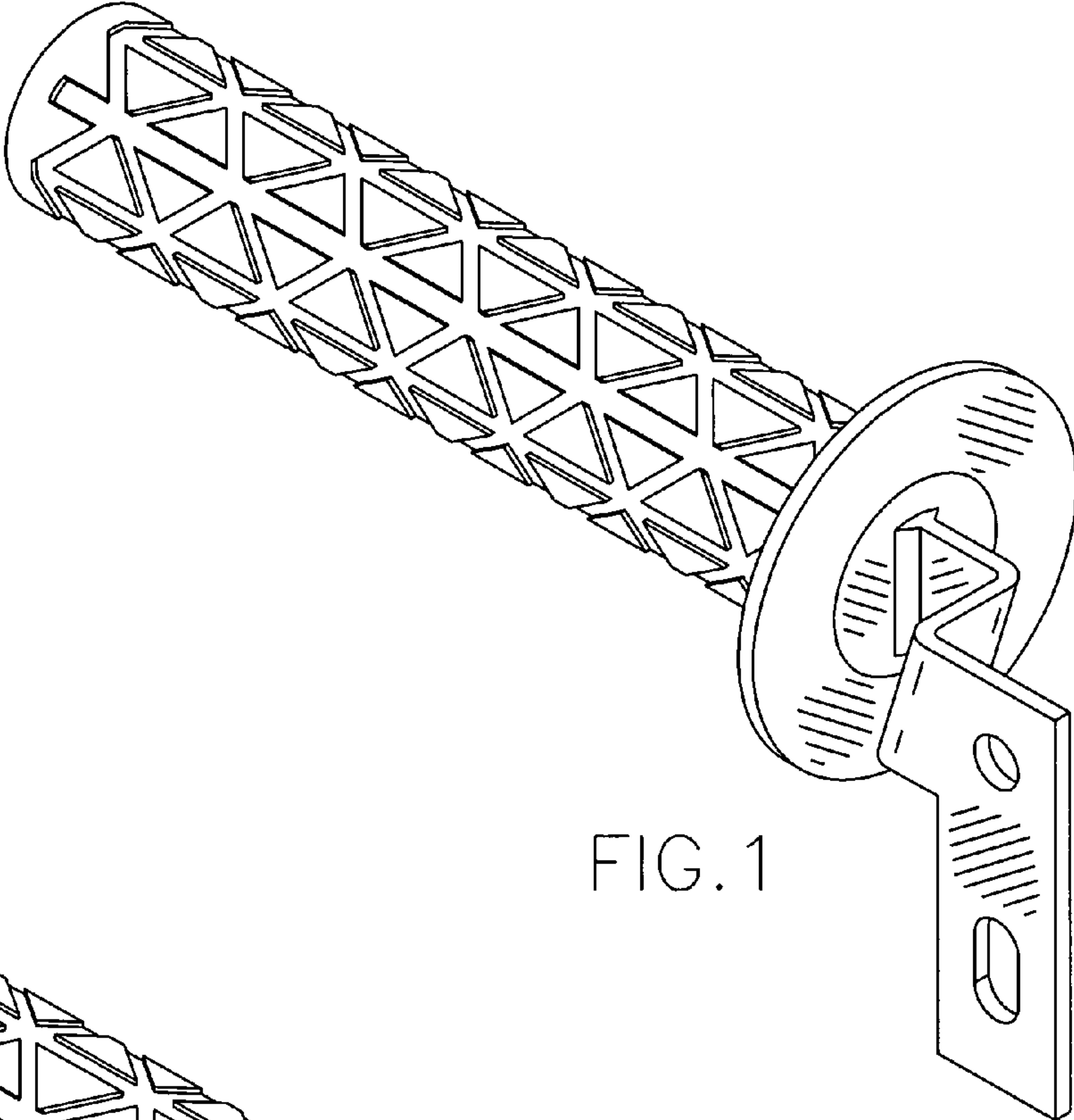


FIG. 1

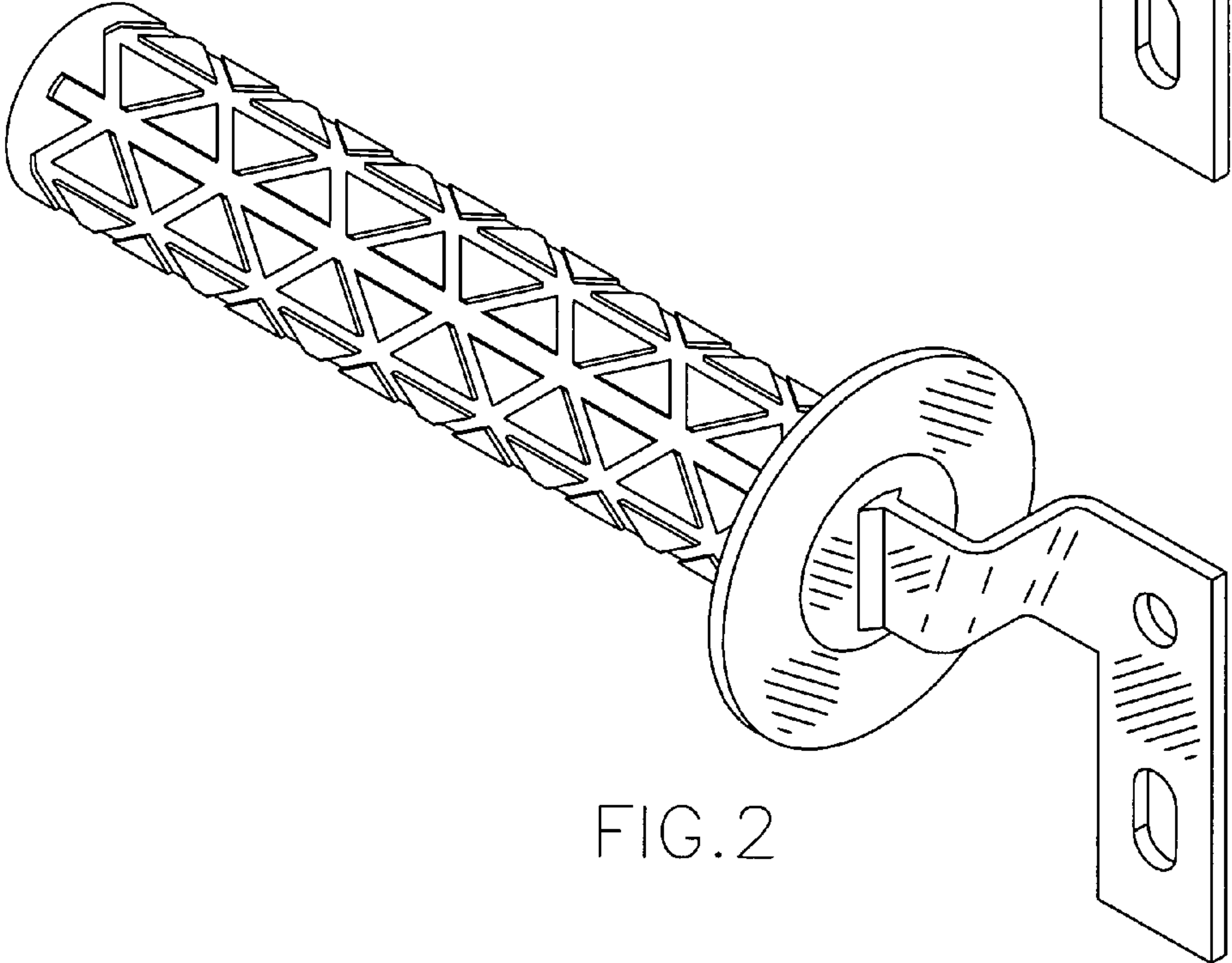


FIG. 2

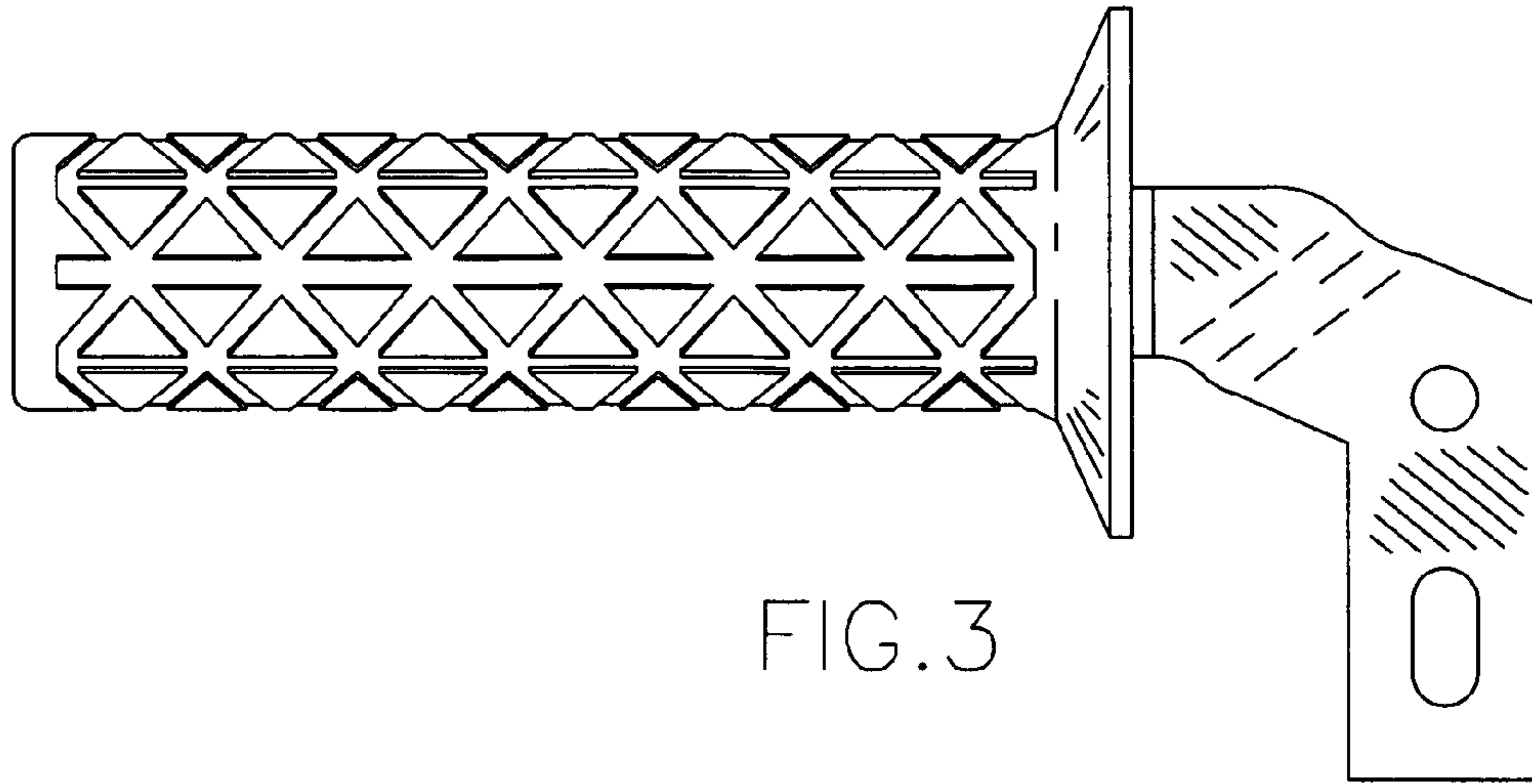


FIG. 3

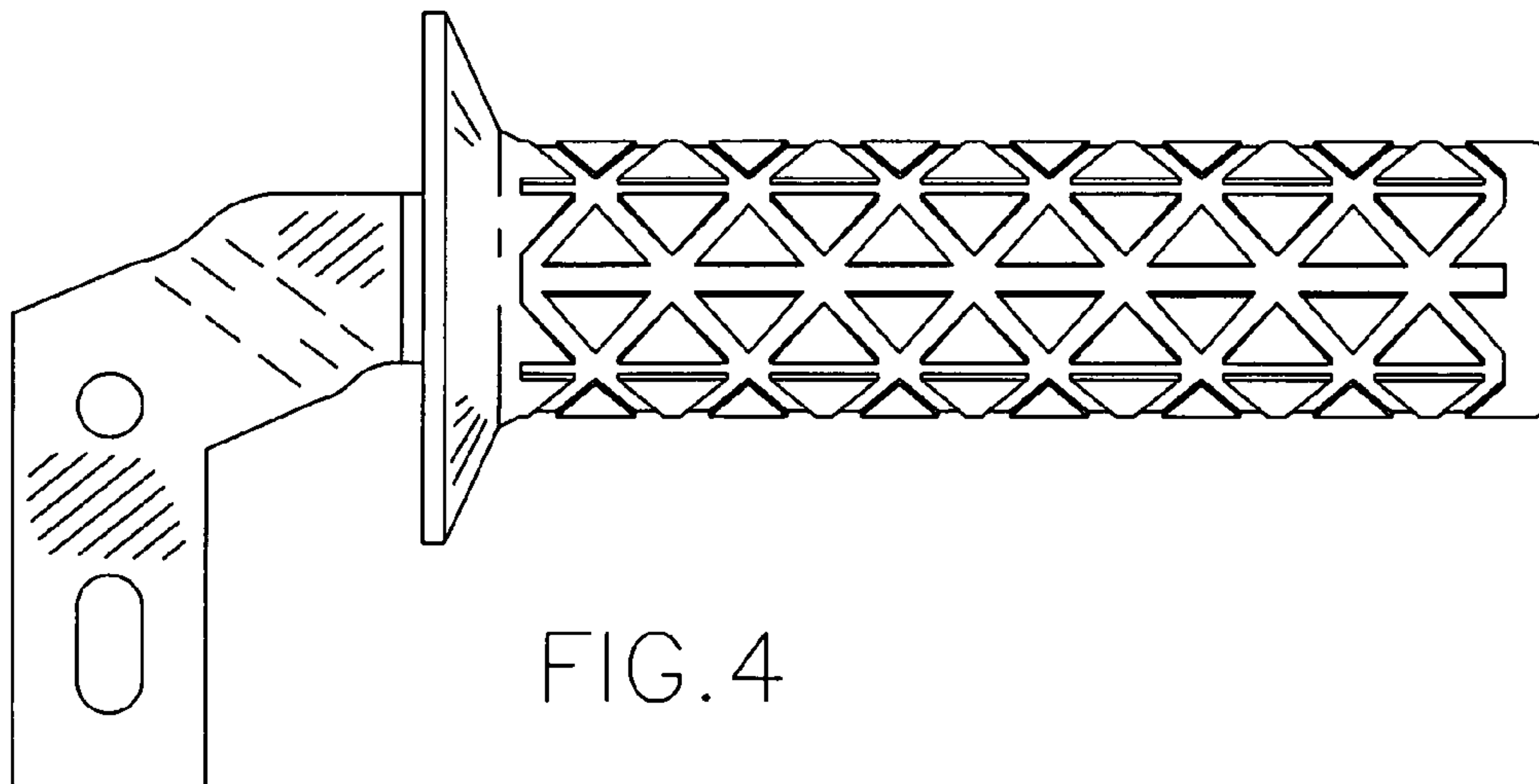


FIG. 4

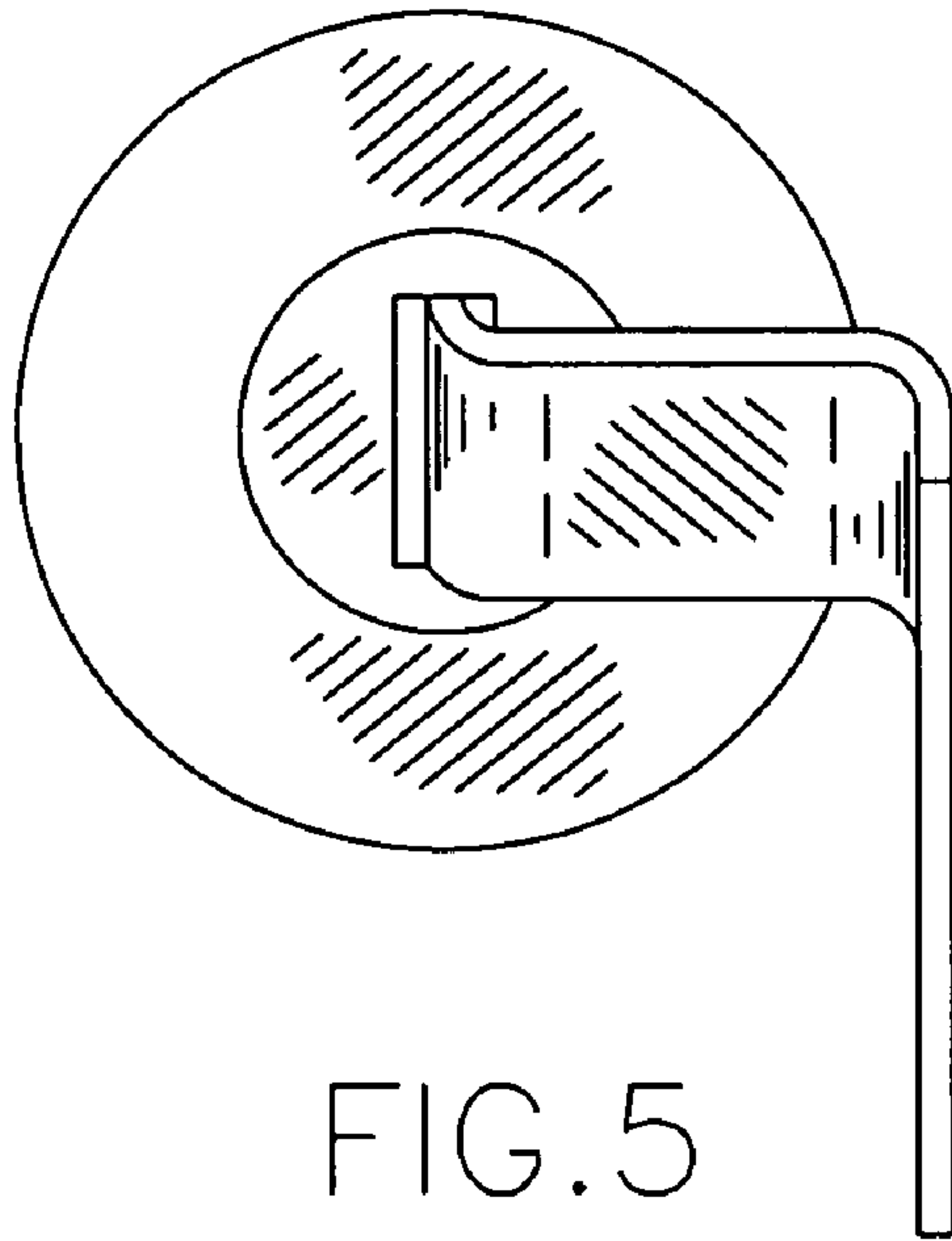


FIG. 5

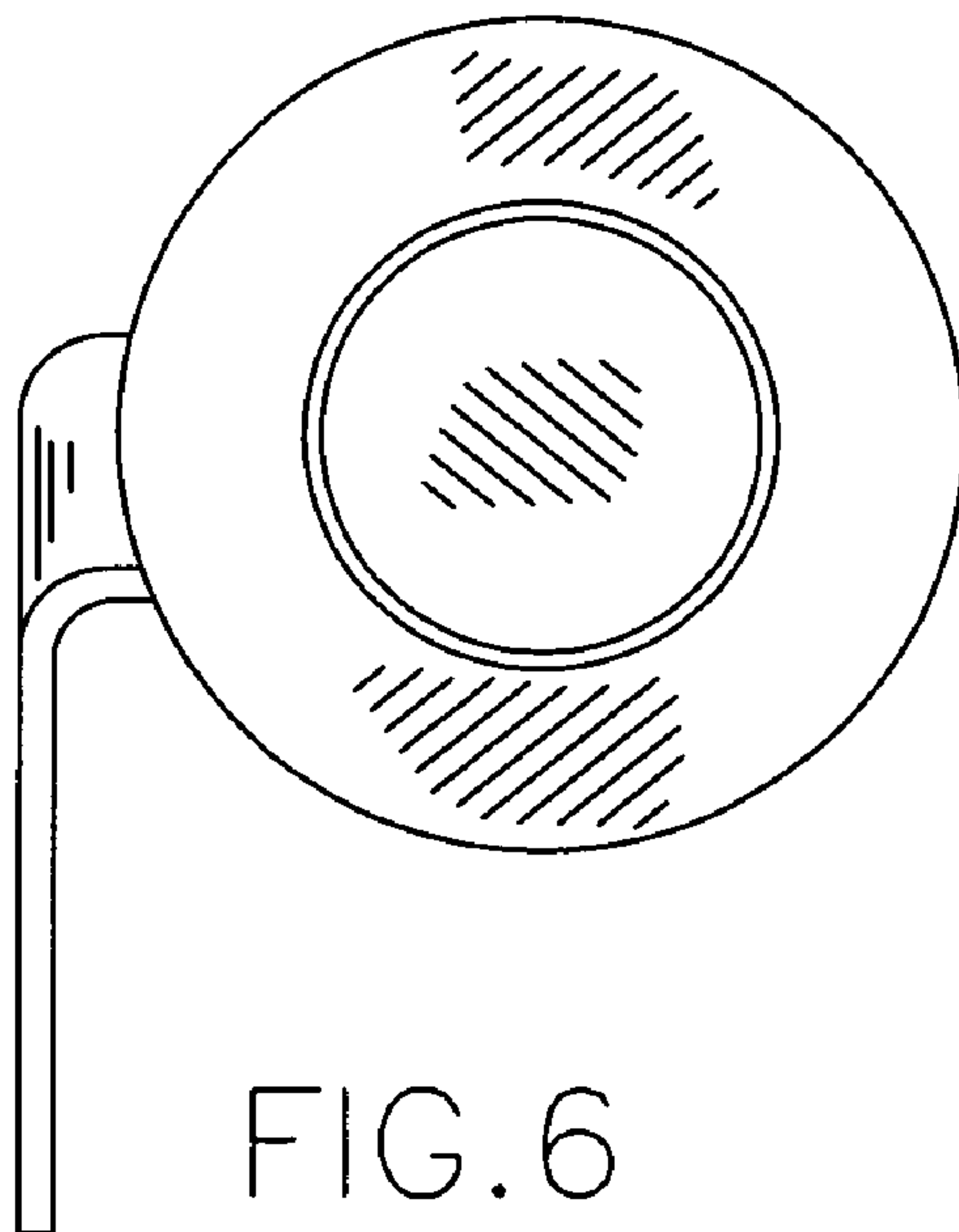


FIG. 6

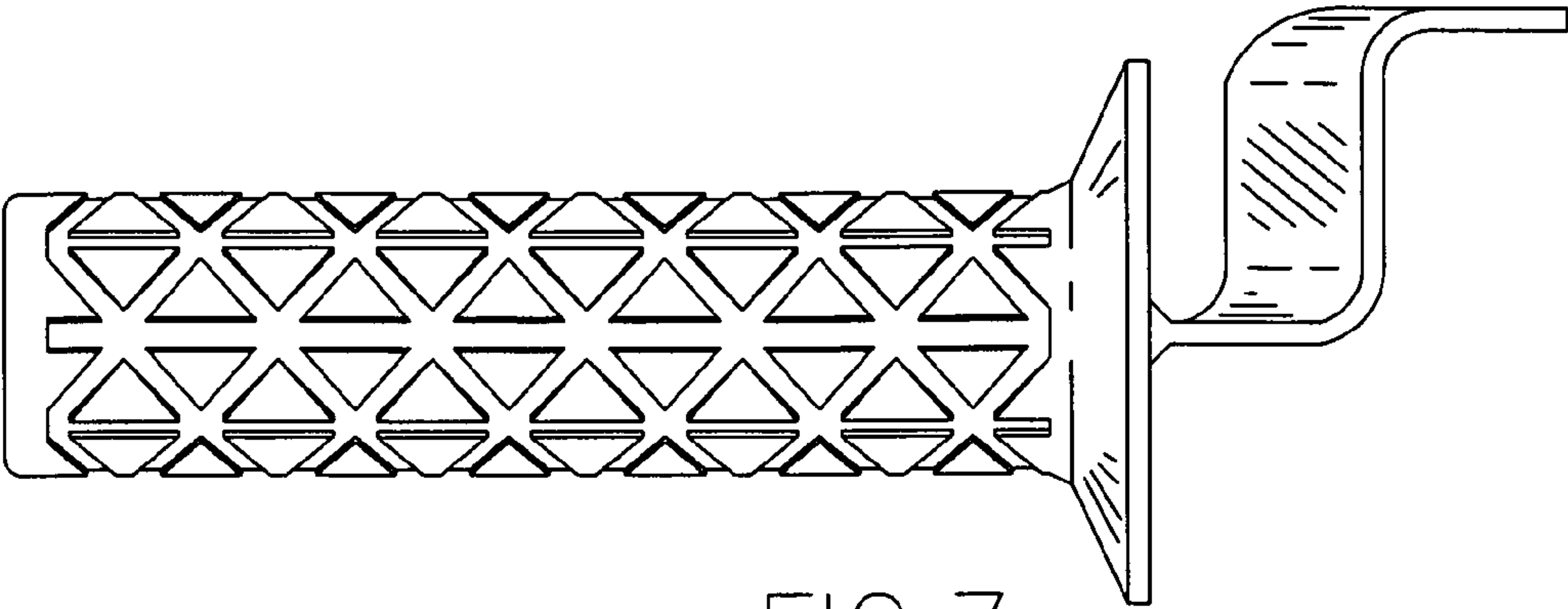


FIG. 7

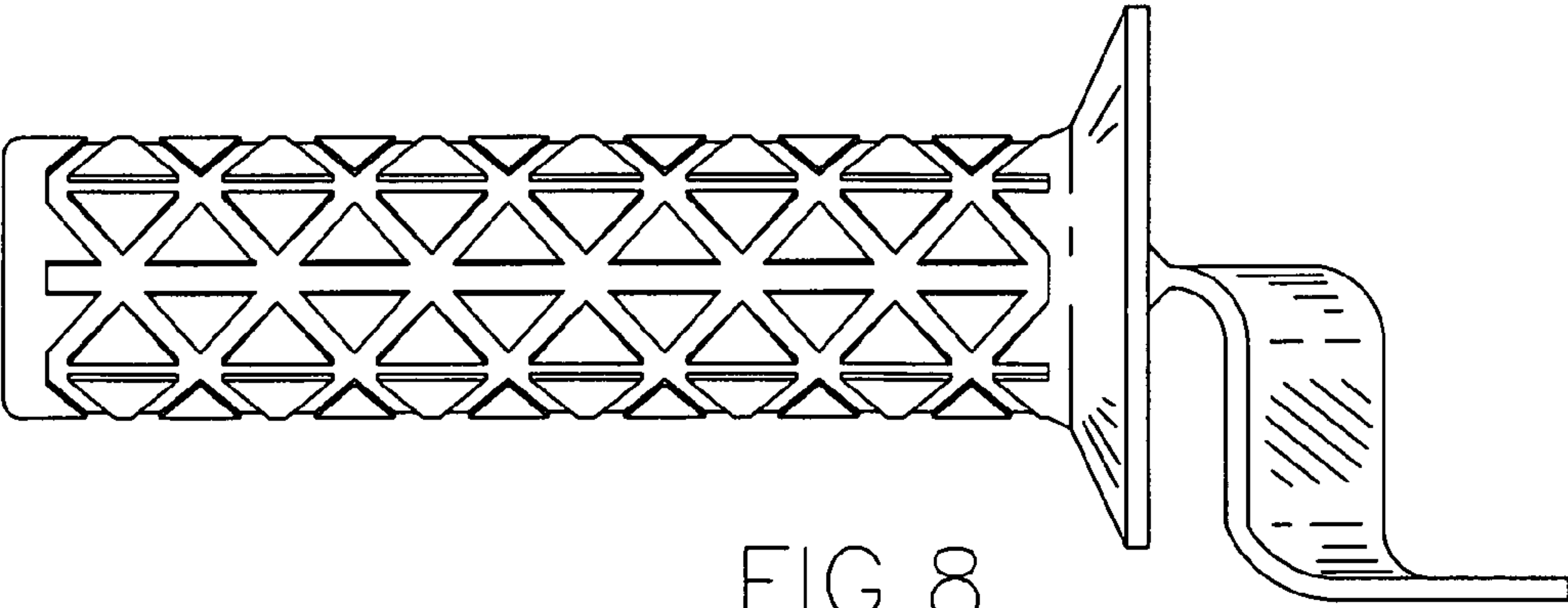


FIG. 8

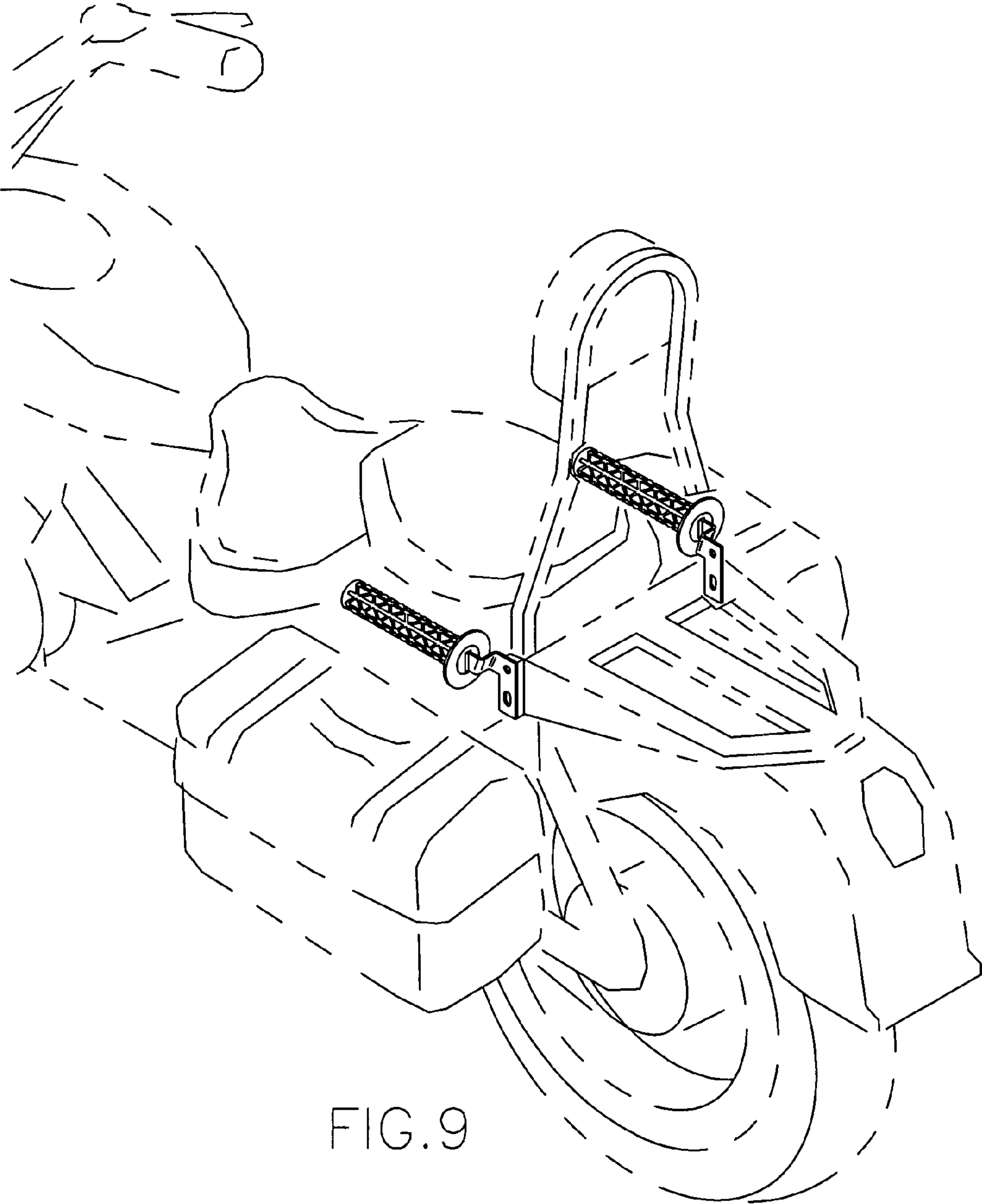


FIG. 9