



US00D626814S

(12) **United States Design Patent**
Grondin

(10) **Patent No.:** **US D626,814 S**
(45) **Date of Patent:** **** Nov. 9, 2010**

(54) **CLAMPING FIXTURE**

(76) Inventor: **Bertrand Grondin**, 39 Woodcroft Crescent, Welland, ON (CA) L3C 2H6

(**) Term: **14 Years**

(21) Appl. No.: **29/317,046**

(22) Filed: **Apr. 22, 2008**

(51) **LOC (9) Cl.** **08-05**

(52) **U.S. Cl.** **D8/72**

(58) **Field of Classification Search** D8/71-74,
D8/394, 396, 355, 59; 248/689; 81/487;
269/3, 4, 6, 143, 165, 246-249, 147, 97,
269/99, 100; 29/256, 257, 276; D15/140;
D24/143; 408/103

See application file for complete search history.

(56) **References Cited**

U.S. PATENT DOCUMENTS

D245,668 S * 9/1977 Bretthauer D8/71
D248,727 S * 8/1978 Sperber D8/71
D254,031 S * 1/1980 Souza, Jr. D8/396

(Continued)

(Continued)

Primary Examiner—David G Muller

(57) **CLAIM**

The ornamental design for a clamping fixture, as shown and described.

DESCRIPTION

FIG. 1 is a top plan view of a bottom portion of the clamping fixture.

FIG. 2 is a side elevational view of the clamping fixture shown in FIG. 1.

FIG. 3 is a top perspective view of the bottom portion of the clamping fixture shown in FIG. 1.

FIG. 4 is a top plan view of a top portion of the clamping fixture.

FIG. 5 is a side elevational view of the top portion.

FIG. 6 is a top perspective view of the top portion of the clamping fixture.

FIG. 7 is a top elevational view of an alternate embodiment of a bottom portion of the clamping fixture.

FIG. 8 is a side elevational view of the clamping fixture shown in FIG. 7.

FIG. 9 is a top perspective view of the bottom portion of the clamping fixture shown in FIG. 7.

FIG. 10 is a top elevational view of a top portion of the alternate embodiment of the clamping fixture shown in FIG. 7.

FIG. 11 is a side plan view of the clamping fixture shown in FIG. 10.

FIG. 12 is a top perspective view of the top portion of the clamping fixture shown in FIG. 10.

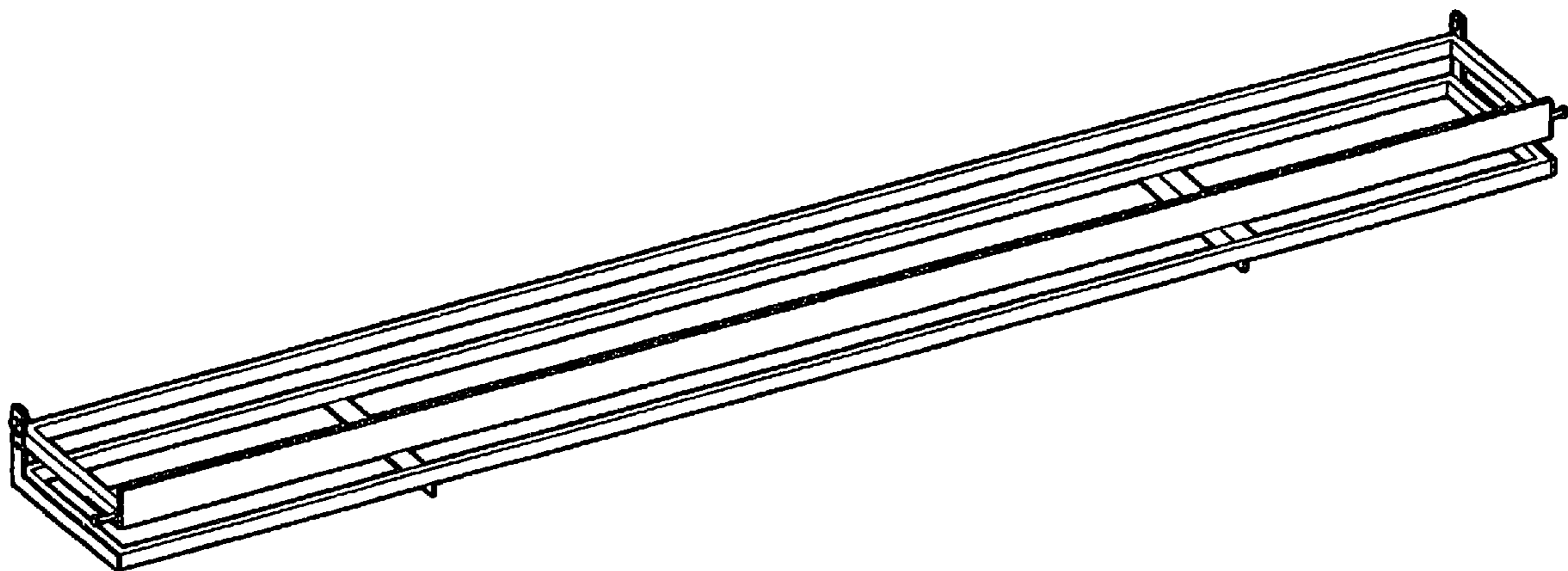
FIG. 13 is a top perspective view of the assembled first embodiment of the clamping fixture shown in FIGS. 1 through 6 above.

FIG. 14 is a bottom perspective view of the first embodiment of the clamping fixture shown in FIG. 13.

FIG. 15 is the top perspective view of the assembled second embodiment of the clamping fixture shown in FIGS. 7 through 12; and,

FIG. 16 is a bottom perspective view of the clamping fixture shown in FIG. 15.

1 Claim, 6 Drawing Sheets



US D626,814 S

Page 2

U.S. PATENT DOCUMENTS

D256,533 S *	8/1980	Alessio	D8/74	D327,382 S *	6/1992	Cabler	D8/394
D260,600 S *	9/1981	Taylor	D8/355	D327,404 S *	6/1992	Le Cornec	D8/71
D284,348 S *	6/1986	Covey	D8/71	D350,682 S *	9/1994	Carey	D8/71
D302,101 S *	7/1989	Livick	D8/71	D375,032 S *	10/1996	Cottone	D8/72
D306,250 S *	2/1990	Kyrklund	D8/70	D377,751 S *	2/1997	Koebbe	D8/355
D313,734 S *	1/1991	Gospodarek	D8/71	D382,194 S *	8/1997	Hodges	D8/355
D323,172 S *	1/1992	Yanagisawa	D15/140	D458,826 S *	6/2002	Ray	D8/72
D325,505 S *	4/1992	Hernandez	D8/71	D481,605 S *	11/2003	West	D8/72

* cited by examiner

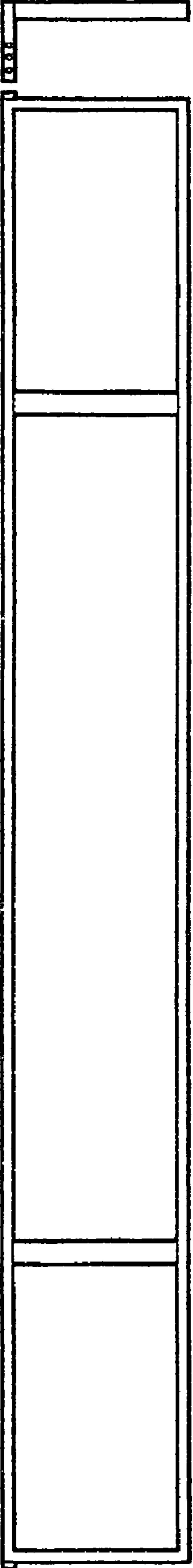


Fig. 1

Fig. 2

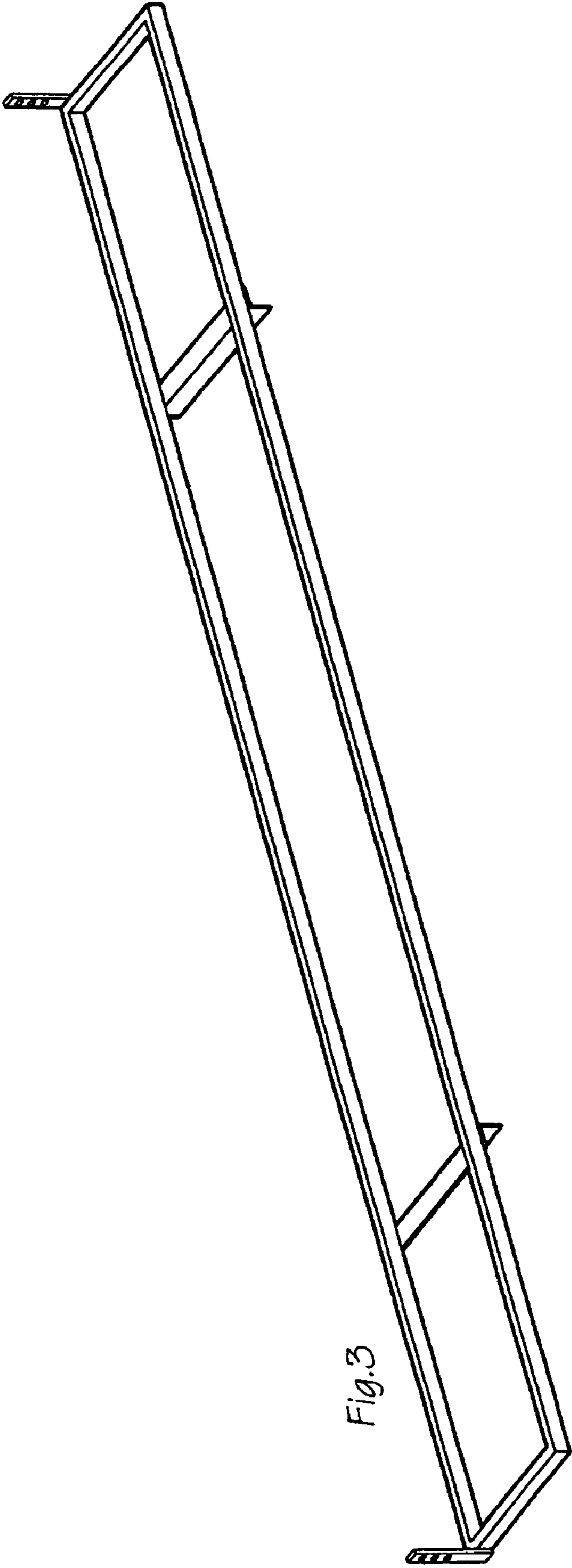


Fig. 3

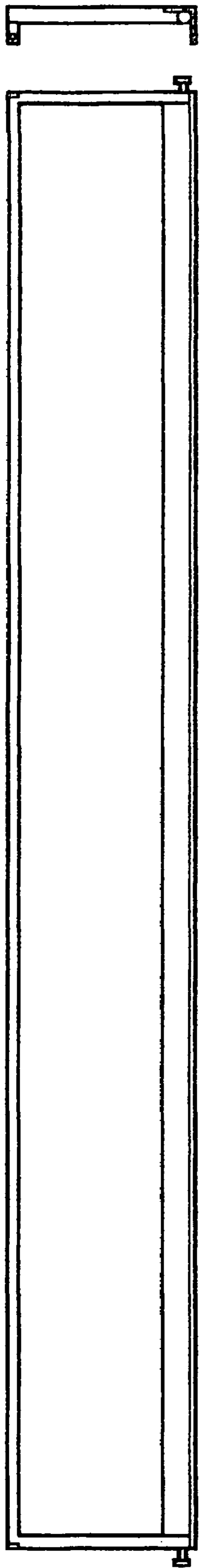


Fig. 5

Fig. 4

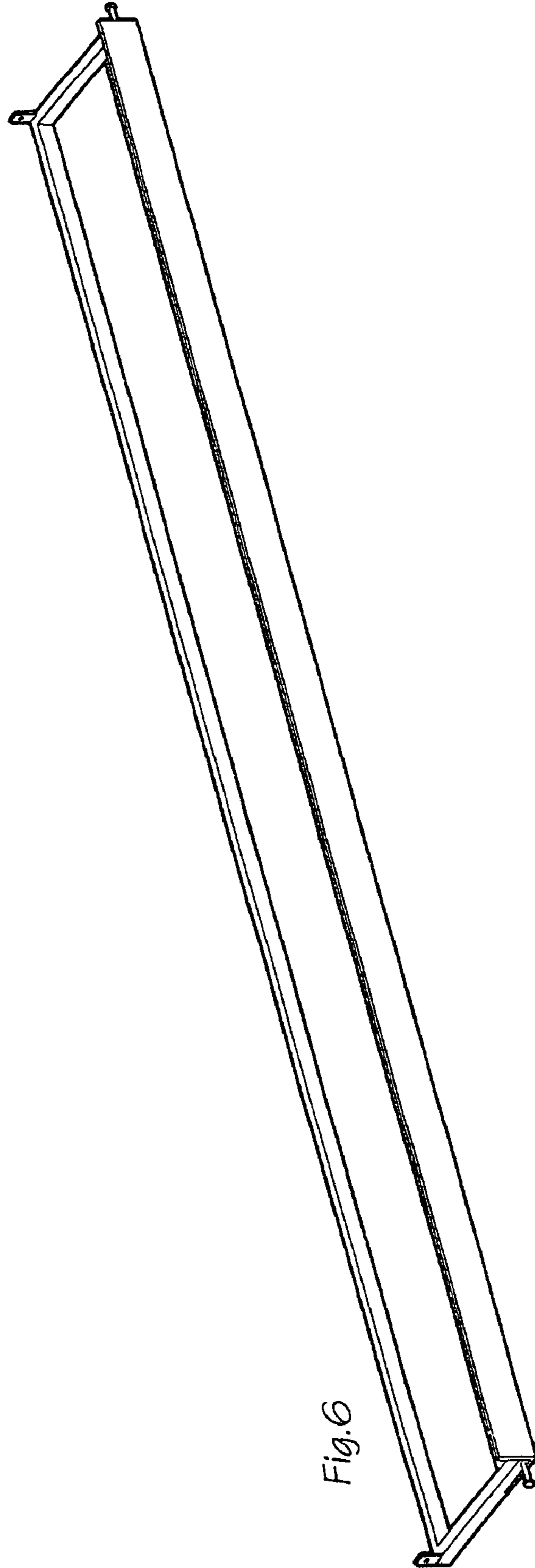


Fig. 6

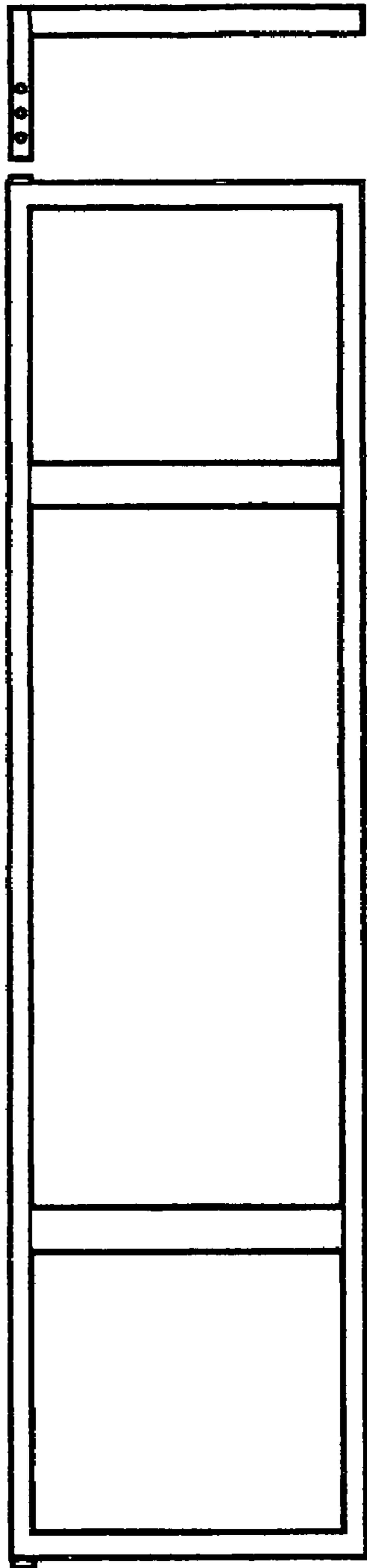


Fig. 7

Fig. 8

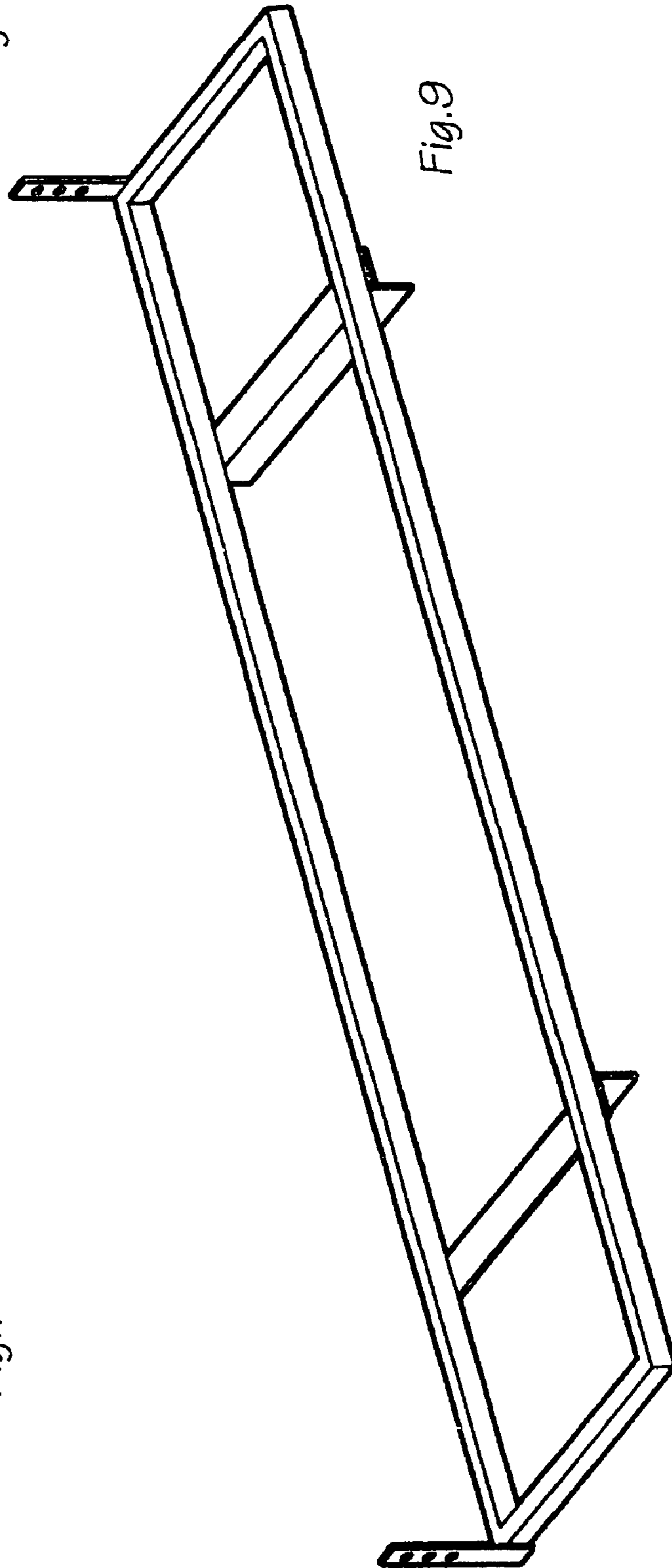


Fig. 9

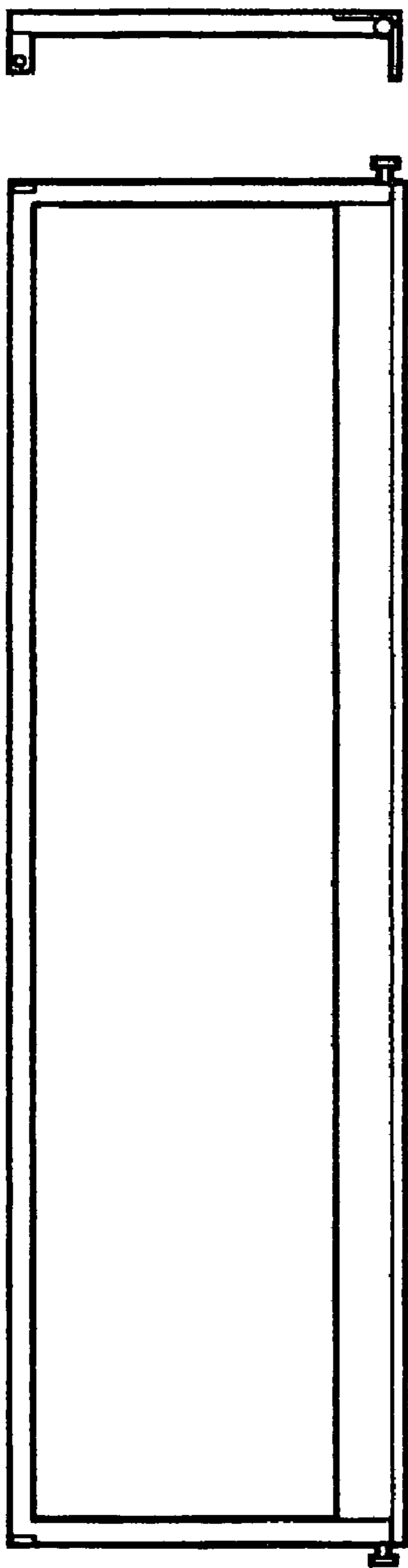


Fig. 11

Fig. 10

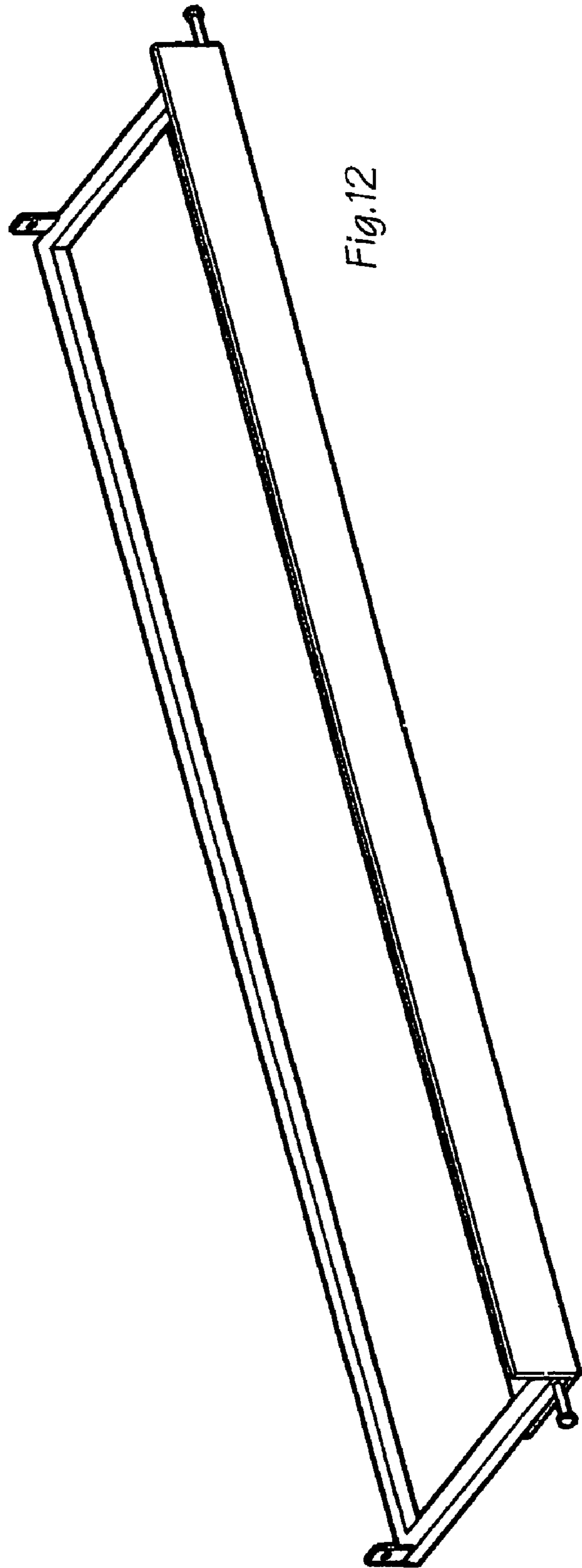


Fig. 12

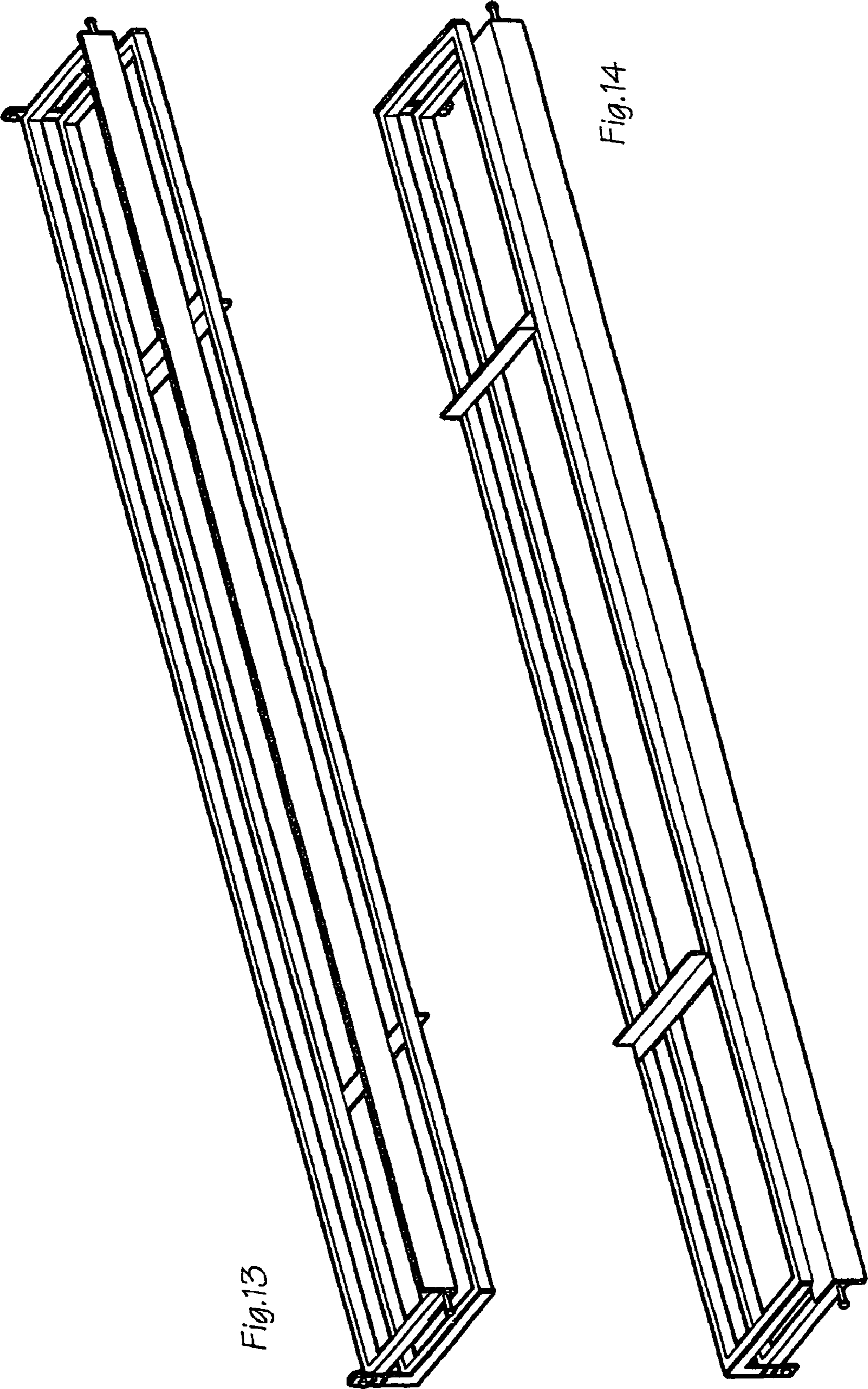


Fig.13

Fig.14

