

US00D626810S

(12) **United States Design Patent**  
**Steineckert et al.**

(10) **Patent No.:** **US D626,810 S**

(45) **Date of Patent:** **\*\* Nov. 9, 2010**

(54) **HAND TOOL**

(75) Inventors: **Jennefer Ruth Steineckert**, Portland, OR (US); **Benjamin C. Rivera**, Lake Oswego, OR (US)

(73) Assignee: **Leatherman Tool Group, Inc.**, Portland, OR (US)

(\*\*) Term: **14 Years**

(21) Appl. No.: **29/346,849**

(22) Filed: **Nov. 6, 2009**

(51) **LOC (9) Cl.** ..... **08-05**

(52) **U.S. Cl.** ..... **D8/55; D8/105**

(58) **Field of Classification Search** ..... D8/1, D8/4, 5, 14, 20, 51-56, 58, 105-107; 7/128, 7/168, 158, 165, 125, 138; 81/177.4, 440, 81/427.5, 300, 418-424, 424.5, 426, 426.5, 81/427; 30/158-161, 236, 262

See application file for complete search history.

(56) **References Cited**

**U.S. PATENT DOCUMENTS**

187,483 A	2/1877	Rightor
345,296 A	7/1886	Friebertshauser
364,414 A	6/1887	Hollweg
610,530 A	9/1898	Hammesfahr
825,093 A	7/1906	Watson

(Continued)

**FOREIGN PATENT DOCUMENTS**

EP 0 771 622 A1 5/1997

(Continued)

**OTHER PUBLICATIONS**

Van Hoy Snap Lock, available at <http://www.crkt.com/snaplock.html> (Jul. 5, 2006), 2 pages.

(Continued)

*Primary Examiner*—Cathron C Brooks

*Assistant Examiner*—Deanna Fluegeman

(74) *Attorney, Agent, or Firm*—Alston & Bird LLP

(57) **CLAIM**

The ornamental design for a hand tool, as shown and described.

**DESCRIPTION**

FIG. 1 is a perspective view of a hand tool, shown in an open configuration, according to my new design;

FIG. 2 is another perspective view thereof;

FIG. 3 is a left side elevation view thereof;

FIG. 4 is a right side elevation view thereof;

FIG. 5 is a top plan view thereof;

FIG. 6 is a bottom plan view thereto;

FIG. 7 is a front elevation view thereof;

FIG. 8 is a rear elevation view thereof;

FIG. 9 is a perspective view of a hand tool, shown in a closed configuration, according to my new design;

FIG. 10 is another perspective view thereof;

FIG. 11 is a left side elevation view thereof;

FIG. 12 is a right side elevation view thereof;

FIG. 13 is a top plan view thereof;

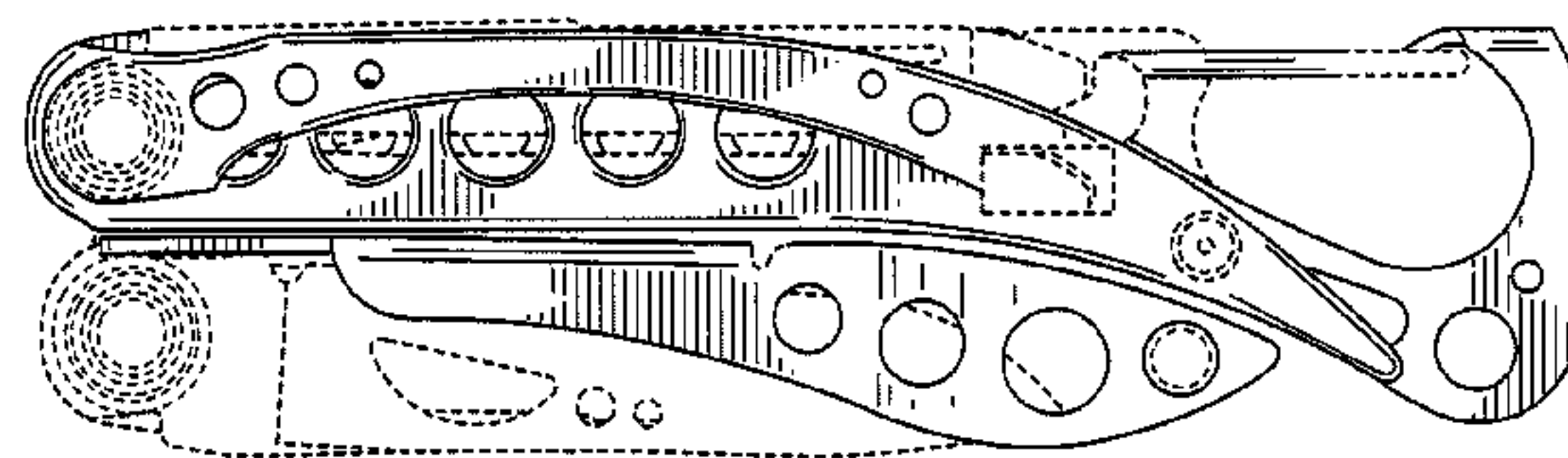
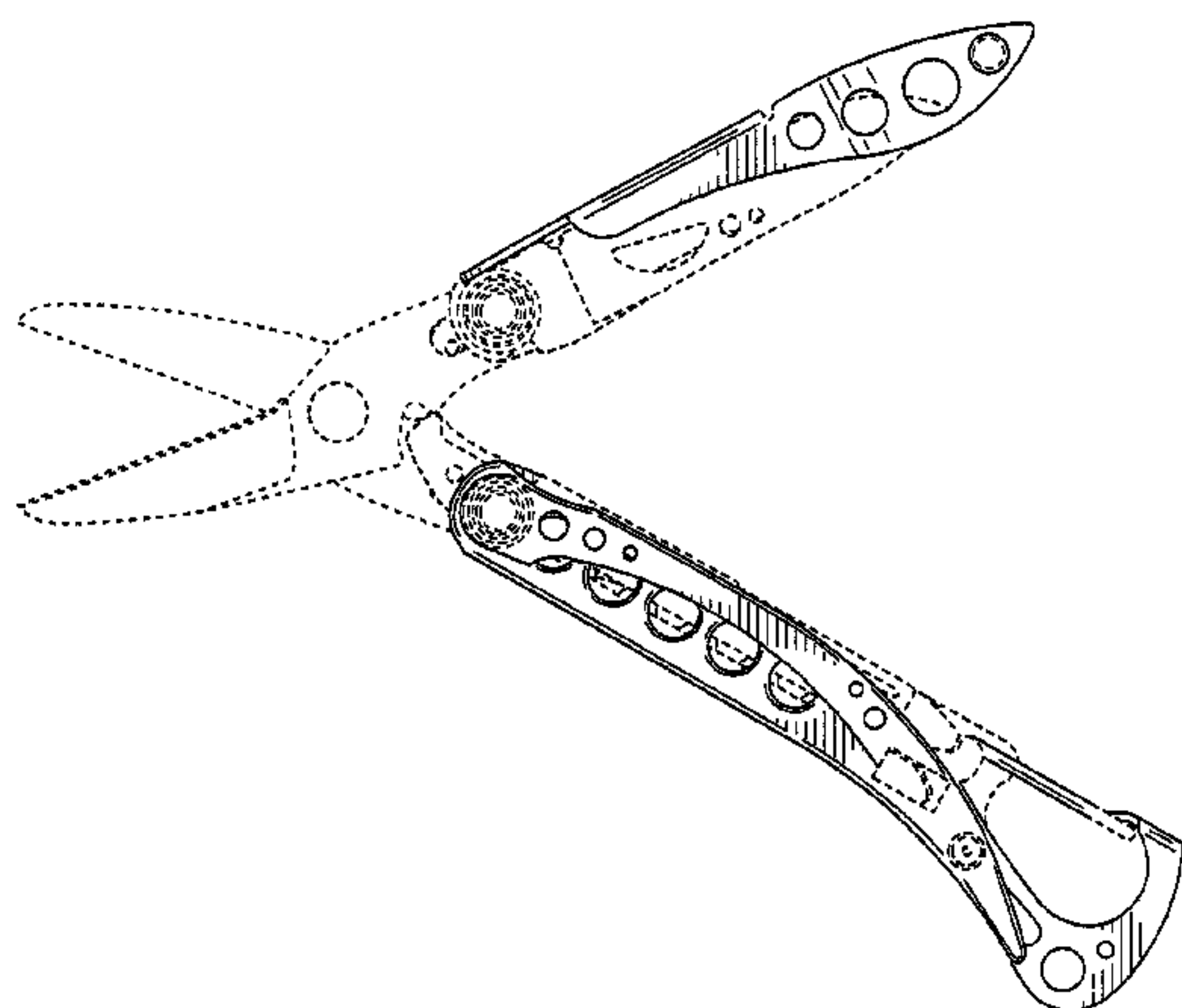
FIG. 14 is a bottom plan view thereto;

FIG. 15 is a front elevation view thereof; and,

FIG. 16 is a rear elevation view thereof.

The broken lines immediately adjacent the shaded areas represent bounds of the claimed design and environment while all other broken lines are directed to environment and are for illustrative purposes only. The broken lines form no part of the claimed design.

**1 Claim, 10 Drawing Sheets**



# US D626,810 S

## U.S. PATENT DOCUMENTS

1,179,111 A 4/1916 Knowlton  
 1,800,843 A 4/1931 Moulton  
 2,250,290 A 7/1941 Berg  
 2,263,415 A 11/1941 Berg et al.  
 2,597,540 A 5/1952 Smith  
 2,718,695 A 9/1955 Elsener  
 2,809,384 A 10/1957 Kayser  
 3,363,315 A 1/1968 Anderson  
 3,832,775 A 9/1974 Stahel, II et al.  
 4,187,607 A 2/1980 Simuro et al.  
 4,238,862 A 12/1980 Leatherman  
 4,512,051 A 4/1985 Magan  
 4,563,813 A 1/1986 Fortenberry  
 4,570,341 A 2/1986 Konneker  
 4,744,272 A 5/1988 Leatherman  
 4,759,645 A 7/1988 Kuo  
 4,776,094 A 10/1988 Glesser  
 4,805,303 A 2/1989 Gibbs  
 4,888,869 A 12/1989 Leatherman  
 5,142,721 A 9/1992 Sessions et al.  
 5,267,366 A 12/1993 Frazer  
 5,270,909 A 12/1993 Weiss et al.  
 5,349,753 A 9/1994 Gaffney  
 D352,436 S 11/1994 Abel  
 5,450,670 A 9/1995 Sakai  
 5,463,798 A 11/1995 Wurzer  
 5,511,310 A 4/1996 Sessions et al.  
 5,537,750 A 7/1996 Seber et al.  
 5,628,117 A 5/1997 Glesser  
 D382,182 S 8/1997 Seber et al.  
 5,653,525 A 8/1997 Park  
 D384,872 S 10/1997 Yeh  
 5,697,114 A 12/1997 McIntosh et al.  
 D392,519 S 3/1998 Hung  
 5,745,997 A 5/1998 Berg et al.  
 5,765,247 A 6/1998 Seber et al.  
 5,781,950 A 7/1998 Swinden et al.  
 D396,618 S 8/1998 Swinden et al.  
 5,791,002 A 8/1998 Gardiner et al.  
 D398,209 S 9/1998 Rivera  
 5,822,867 A 10/1998 Sakai  
 D401,133 S 11/1998 Gardiner et al.  
 D405,676 S 2/1999 Rivera  
 D406,030 S 2/1999 Gardiner et al.  
 D406,997 S 3/1999 Robbins  
 D407,621 S 4/1999 Koon et al.  
 D408,238 S 4/1999 Rivera  
 D409,893 S 5/1999 Gardiner et al.  
 D410,369 S 6/1999 Yeh  
 D414,097 S 9/1999 Berg et al.  
 D414,387 S 9/1999 Hung  
 5,963,999 A 10/1999 Gardiner et al.  
 5,964,131 A 10/1999 Seber et al.  
 5,979,059 A 11/1999 Leatherman et al.  
 5,983,686 A 11/1999 Lee  
 6,006,385 A 12/1999 Kershaw et al.  
 6,014,787 A 1/2000 Rivera  
 6,023,805 A 2/2000 Lin  
 6,038,735 A 3/2000 Chang  
 D423,893 S 5/2000 Mackin et al.  
 D426,447 S 6/2000 Chau  
 6,112,352 A 9/2000 Legg  
 6,185,771 B1 2/2001 Trusty, Sr.  
 6,223,372 B1 5/2001 Barber  
 D445,326 S \* 7/2001 Alfaro ..... D8/107  
 6,276,063 B1 8/2001 Chen  
 D448,636 S 10/2001 Yeh  
 6,341,423 B1 1/2002 Taggart et al.  
 D454,044 S 3/2002 Alfaro  
 D467,783 S \* 12/2002 Onion ..... D8/107  
 D470,372 S 2/2003 Rivera

D474,095 S 5/2003 Luquire  
 D476,546 S 7/2003 Ping  
 6,594,906 B1 7/2003 Sakai et al.  
 6,622,327 B1 9/2003 Rivera  
 6,622,328 B2 9/2003 Rivera  
 D480,941 S 10/2003 Dallas  
 D481,289 S 10/2003 Dallas  
 D484,770 S 1/2004 Green  
 6,675,419 B2 1/2004 Rivera  
 6,694,558 B2 2/2004 Ping  
 D497,532 S 10/2004 Rivera et al.  
 D497,790 S 11/2004 Rivera et al.  
 D499,622 S 12/2004 Rivera et al.  
 D505,057 S 5/2005 Ralph  
 D509,125 S 9/2005 Ping  
 7,000,323 B1 2/2006 Hatcher et al.  
 D521,829 S 5/2006 Yale et al.  
 D533,760 S \* 12/2006 Kelleghan ..... D8/107  
 D535,171 S 1/2007 Ping  
 7,182,001 B2 \* 2/2007 Rivera ..... 81/177.4  
 D538,138 S \* 3/2007 Knight ..... D8/356  
 D539,631 S 4/2007 Taylor  
 D541,618 S 5/2007 Klecker  
 D542,107 S 5/2007 Yale et al.  
 D543,084 S 5/2007 Yale  
 D553,467 S 10/2007 Ryan  
 D557,100 S 12/2007 Stokes et al.  
 D568,710 S 5/2008 Klecker et al.  
 D569,212 S 5/2008 Hawk et al.  
 D571,181 S 6/2008 Klecker et al.  
 D573,009 S \* 7/2008 Nenadic ..... D8/356  
 D573,437 S 7/2008 Nenadic  
 D573,865 S 7/2008 Klecker et al.  
 D575,121 S \* 8/2008 Junck ..... D8/5  
 D576,002 S 9/2008 Barber et al.  
 7,437,822 B2 \* 10/2008 Flagg et al. .... 30/161  
 D585,250 S 1/2009 Lee et al.  
 D588,885 S 3/2009 Barber et al.  
 D591,570 S 5/2009 Lee et al.  
 D592,931 S \* 5/2009 Nenadic ..... D8/105  
 D595,104 S 6/2009 Goodrich  
 D596,911 S 7/2009 Carpenter et al.  
 D600,080 S \* 9/2009 Liu ..... D8/5  
 D600,527 S 9/2009 Nyssen et al.  
 D600,528 S \* 9/2009 Nyssen et al. .... D8/105  
 7,607,231 B2 10/2009 Klecker et al.  
 7,676,931 B2 \* 3/2010 Knight et al. .... 30/158  
 7,712,399 B2 \* 5/2010 Nenadic ..... 81/427.5  
 2002/0059730 A1 5/2002 Flavigny  
 2004/0064953 A1 4/2004 Cheng  
 2005/0097755 A1 \* 5/2005 Galyean et al. .... 30/161  
 2006/0096035 A1 5/2006 Ocklenburg  
 2006/0260137 A1 \* 11/2006 Flagg et al. .... 30/160  
 2007/0101508 A1 \* 5/2007 Quenzi ..... 7/158  
 2007/0124940 A1 \* 6/2007 Hawk et al. .... 30/161  
 2008/0163433 A1 \* 7/2008 Nenadic ..... 7/128  
 2008/0263777 A1 \* 10/2008 Rivera ..... 7/128  
 2009/0090225 A1 \* 4/2009 Nenadic ..... 81/440  
 2010/0122420 A1 \* 5/2010 Nason et al. .... 7/128

## FOREIGN PATENT DOCUMENTS

EP 0 783 937 A2 7/1997  
 EP 1 023 971 A2 8/2000  
 EP 1 116 557 A2 7/2001  
 EP 1 340 597 A2 9/2003  
 FR 2 655 635 A1 6/1991  
 FR 2 760 955 AI 9/1998  
 WO WO 97/19787 A1 6/1997  
 WO WO 98/18599 A1 5/1998



OTHER PUBLICATIONS

Delta Folding Knife—EW-04 available from SureFire, available at [http://www.surefire.com/maxexp/main/co\\_disp/displ/carfnbr/317/prfnbr/24381](http://www.surefire.com/maxexp/main/co_disp/displ/carfnbr/317/prfnbr/24381) (Jul. 5, 2006), 1 page.

Cord/Harness Cutter, available at [http://www.surefire.com/surefire/content/ew04\\_large.jpg](http://www.surefire.com/surefire/content/ew04_large.jpg), (Jul. 5, 2006), 1 page.

Swiss+Tech Products, available at <http://www.swisstechtools.com/productdetail.aspx?PID=pHL7RxHb%2frwA>, (Jul. 5, 2006), 1 page.

Serengeti Hunter, available at <http://www.crkt.com/serenget.html>, (Jul. 5, 2006), 2 pages.

Deutsch, S., Preview: Leatherman Freestyle; available at <http://toolmonger.com/2008/02/18/preview-leatherman-freestyle/>, dated Jul. 18, 2008, 4 pages.

[http://toolmonger.com/wp-content/uploads/2008/02/LM\\_Freestyle\\_Preview.jpg](http://toolmonger.com/wp-content/uploads/2008/02/LM_Freestyle_Preview.jpg), dated Jul. 18, 2008, 1 page.

[http://toolmonger.com/wp-content/uploads/2008/02/LM\\_Freestyle\\_Skeletool1.jpg](http://toolmonger.com/wp-content/uploads/2008/02/LM_Freestyle_Skeletool1.jpg), dated Jul. 18, 2008, 1 page.

Leatherman | Freestyle Tool With a Gift Tin | 830843 | B&H Photo, available at <http://www.bhphotovideo.com/c/product/511489-REG>, dated Jul. 18, 2008, 2 pages.

<http://www.bhphotovideo.com/images/largeimages/511489.jpg>, dated Jul. 18, 2008, 1 page.

[http://www.bhphotovideo.com/images/multiple\\_images/item\\_images/IMG\\_7174.jpg](http://www.bhphotovideo.com/images/multiple_images/item_images/IMG_7174.jpg), dated Jul. 18, 2008, 1 page.

Johnson, J., Leatherman Freestyle: A Cheaper Skeletool, available at <http://gadgets.boingboing.net/2008/02/18/leatherman-freestyle.html>, dated Jul. 18, 2008, 3 pages.

Shot Show 2007 Report—Knives, available at [http://www.equipped.org/shot\\_show\\_2007\\_knives4.htm](http://www.equipped.org/shot_show_2007_knives4.htm); dated Jul. 18, 2008, 10 pages.

Leatherman Freestyle Rendering, available at <http://www.equipped.org/pp/pic1902.htm>, dated Jul. 18, 2008, 1 pages.

Leatherman Freestyle Bit Storage, available at <http://www.equipped.org/pp/pic1916.htm>, dated Jul. 18, 2008, 1 page.

Leatherman Freestyle, available at <http://www.equipped.org/pp/pic1891.htm>, dated Jul. 18, 2008, 1 page.

Leatherman Freestyle, available at <http://www.equipped.org/pp/pic1892.htm>, dated Jul. 18, 2008, 1 page.

Leatherman Freestyle, available at <http://www.equipped.org/pp/pic1893.htm>, dated Jul. 18, 2008, 1 page.

Leatherman Freestyle—Knifeforums.com, available at <http://www.knifeforums.com/forums/showtopic.php?tid/786138/>, dated Jul. 18, 2008, 3 pages.

ESPN.com—Day two new products unveiled, available at <http://sports.espn.go.com/espn/print?id=2730032&type=story>, dated Jul. 18, 2008, 1 page.

Leatherman Freestyle: Lighter Tools In Your Pocket—Homotron.net, available at [http://www.homotron.net/2008/02/leatherman\\_freestyle\\_lighter\\_t.html](http://www.homotron.net/2008/02/leatherman_freestyle_lighter_t.html), dated Jul. 18, 2008, 2 pages.

[http://www.camping-gear-outlet.com/images/product/7\\_87718.jpg](http://www.camping-gear-outlet.com/images/product/7_87718.jpg), dated Jul. 18, 2008, 1 page.

<http://raduborcea.files.wordpress.com/2008/05/skeletool-cx-diagram.jpg>, dated Jul. 18, 2008, 1 page.

<http://www.vikingchalet.com/~server/images/stories/skeletool-detail.jpg>, dated Jul. 18, 2008, 1 page.

[http://toolmonger.com/wp-content/uploads/2007/09/TM\\_LeatherMan\\_Skeletool.jpg](http://toolmonger.com/wp-content/uploads/2007/09/TM_LeatherMan_Skeletool.jpg), dated Jul. 18, 2008, 1 page.

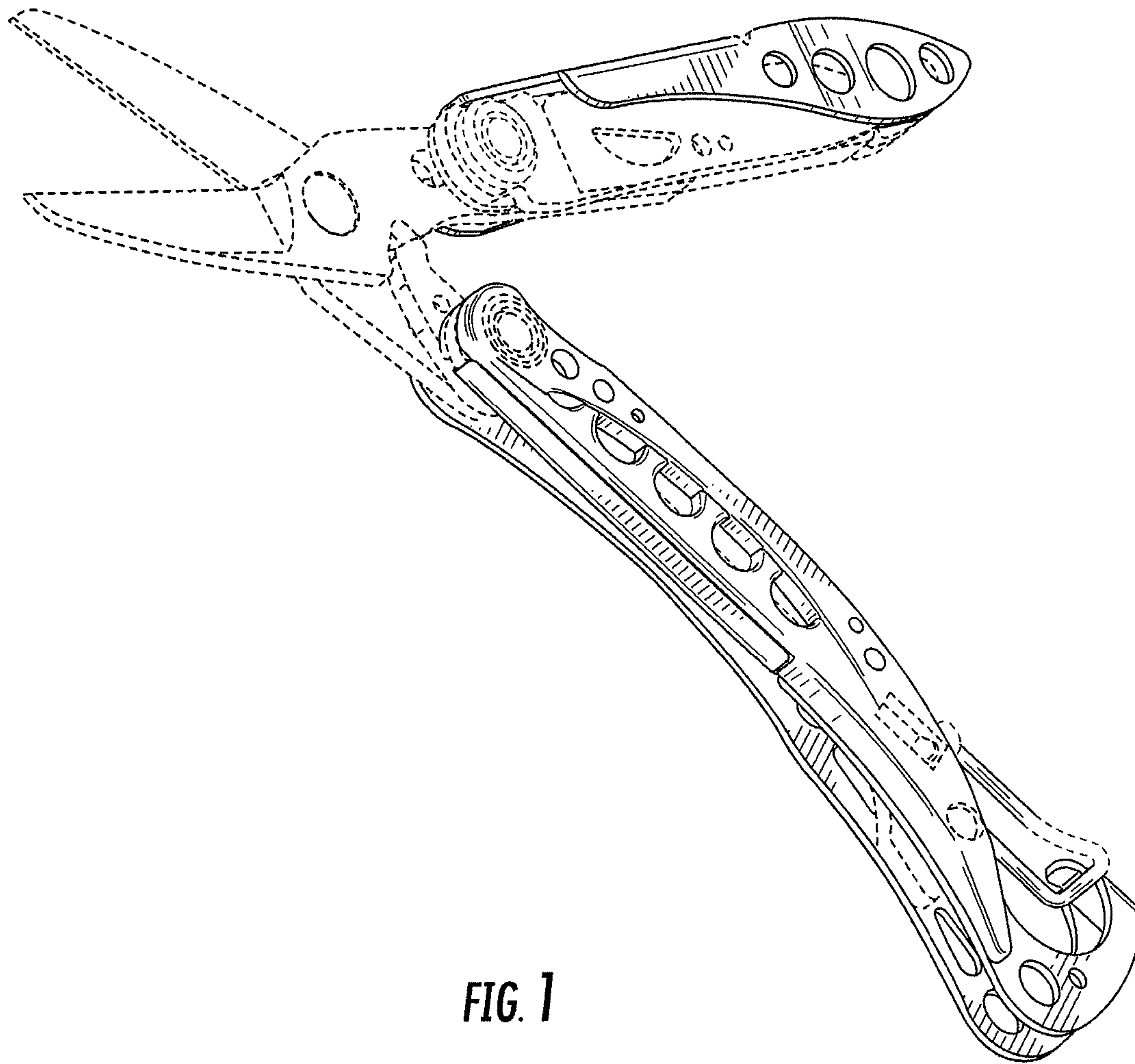
[http://toolmonger.com/wp-content/uploads/2008/02/Skeletool\\_Beauty.jpg](http://toolmonger.com/wp-content/uploads/2008/02/Skeletool_Beauty.jpg), dated Jul. 18, 2008, 1 page.

[http://www.linux-mag.com/images/2007-12/gift-guide/Skeletool\\_CX\\_Beauty.jpg](http://www.linux-mag.com/images/2007-12/gift-guide/Skeletool_CX_Beauty.jpg), dated Jul. 18, 2008, 1 page.

<http://www.gearcrave.com/wp-content/uploads/2007/11/skeletool.jpg>, dated Jul. 18, 2008, 1 page.

<http://knivesandmultitools.com/library/SkeletoolCX.JPG>, dated Jul. 18, 2008, 1 page.

\* cited by examiner



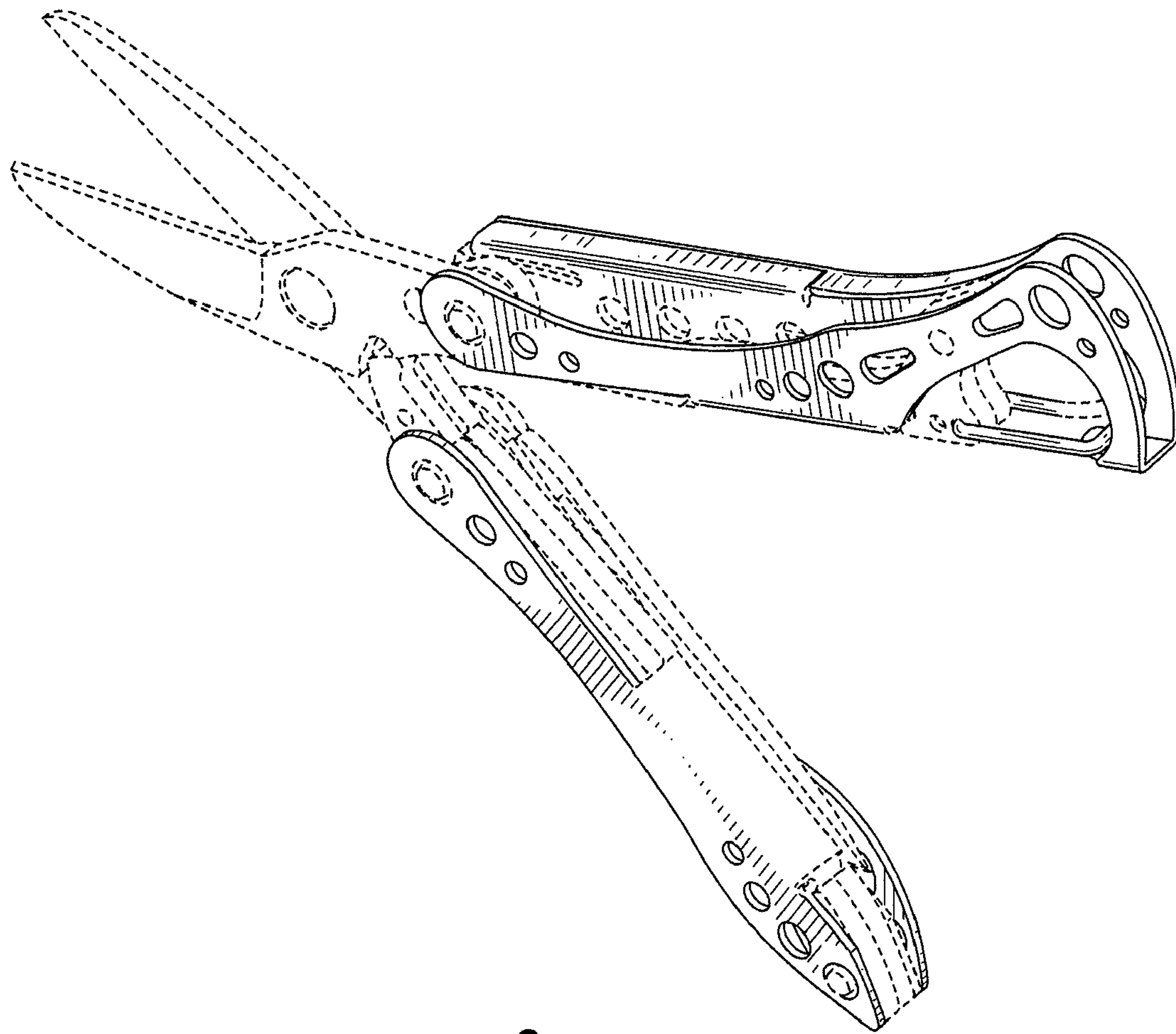


FIG. 2

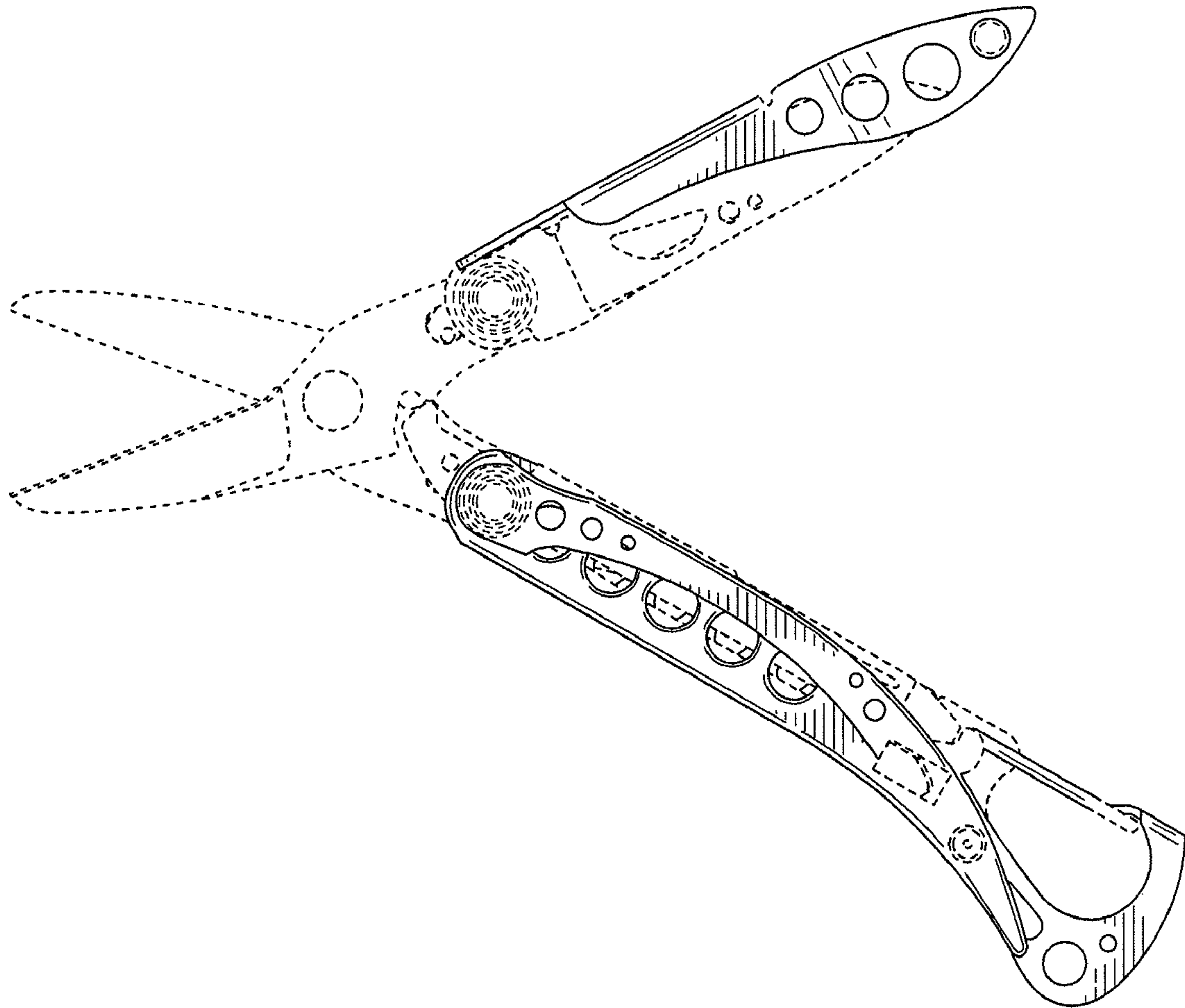
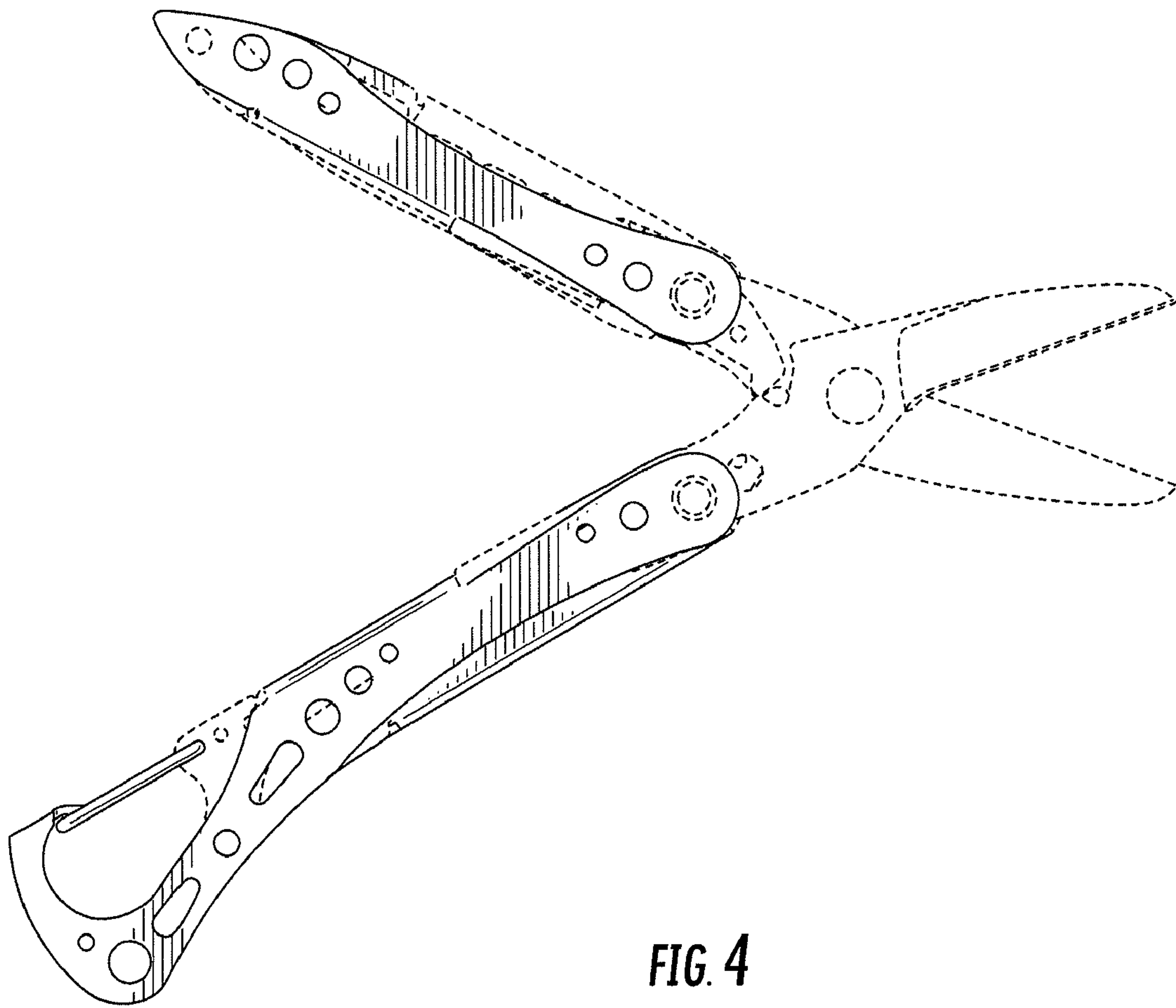


FIG. 3





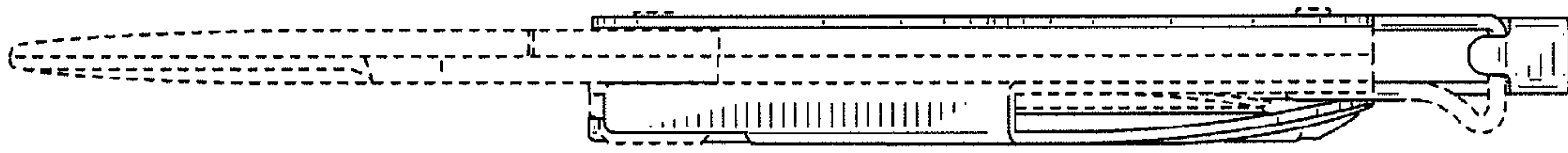


FIG. 5

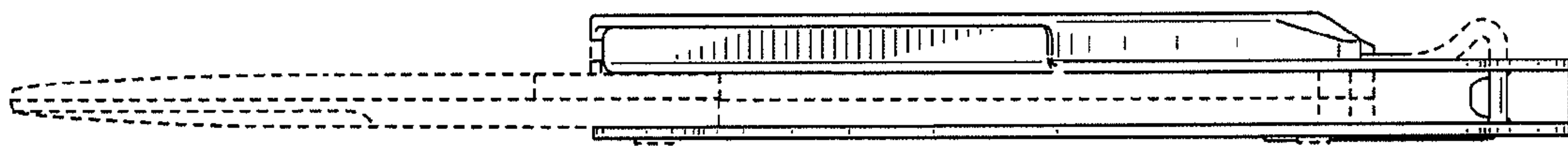
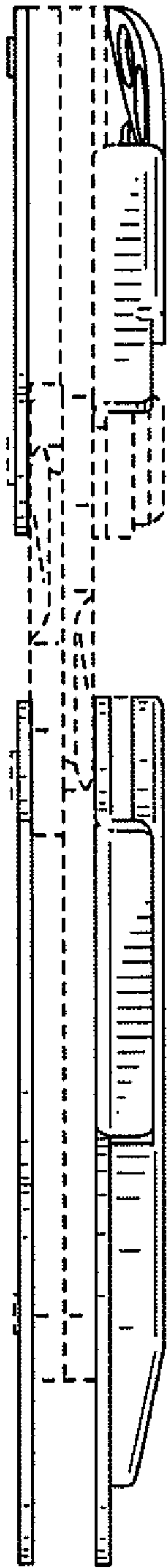
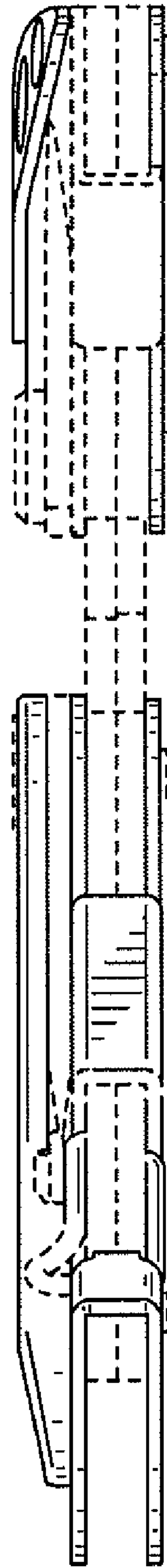


FIG. 6





**FIG. 7**



**FIG. 8**

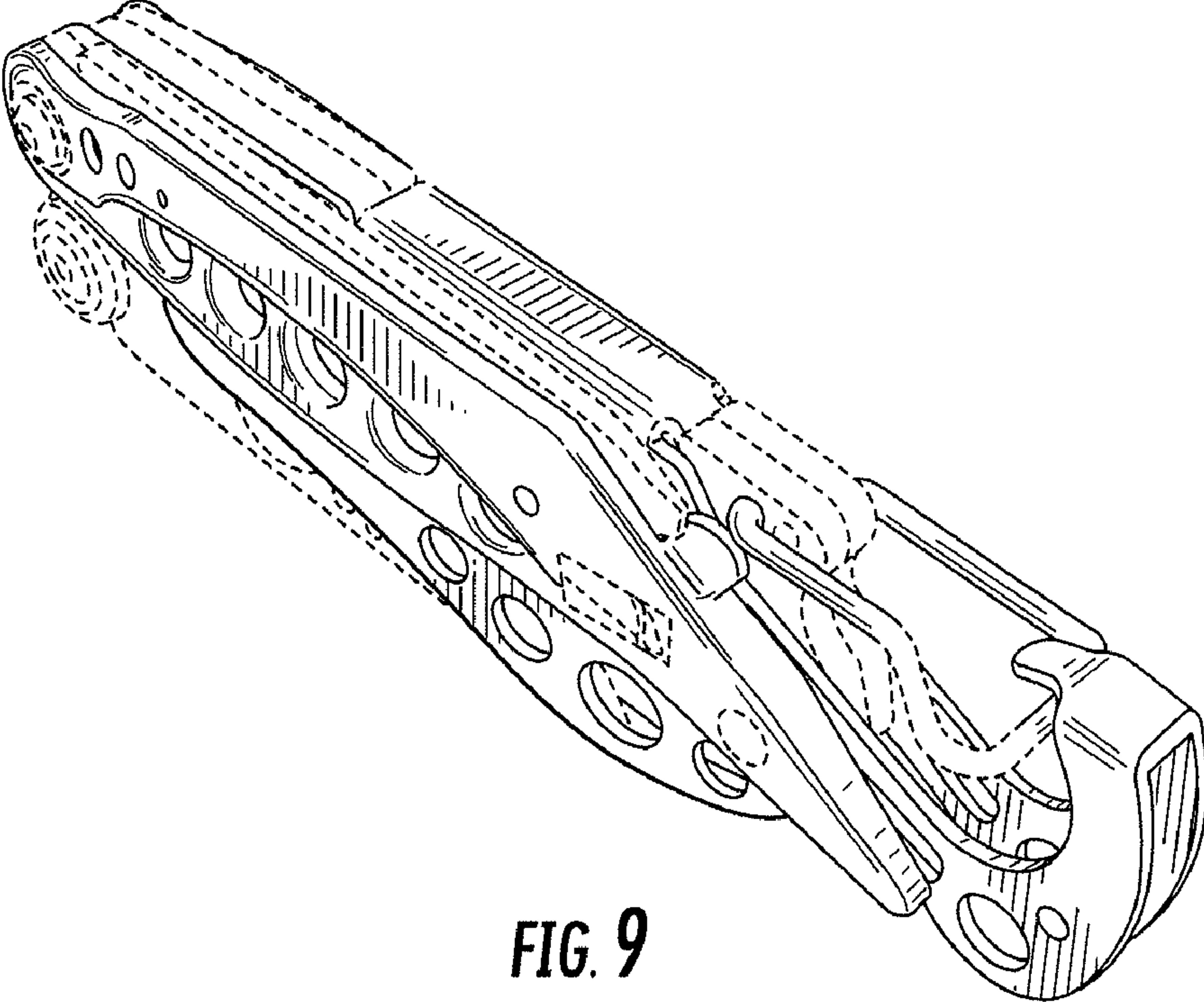


FIG. 9

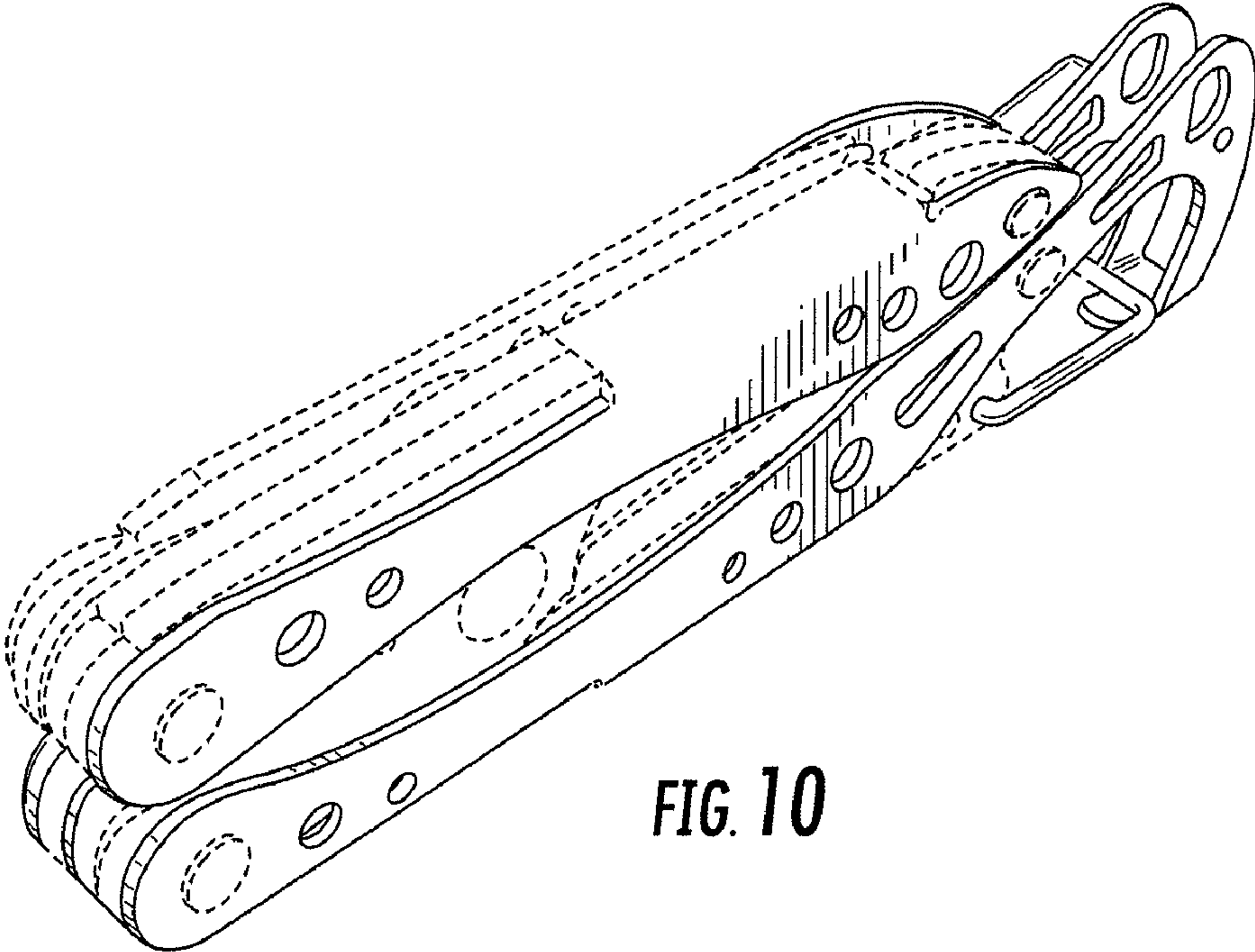


FIG. 10

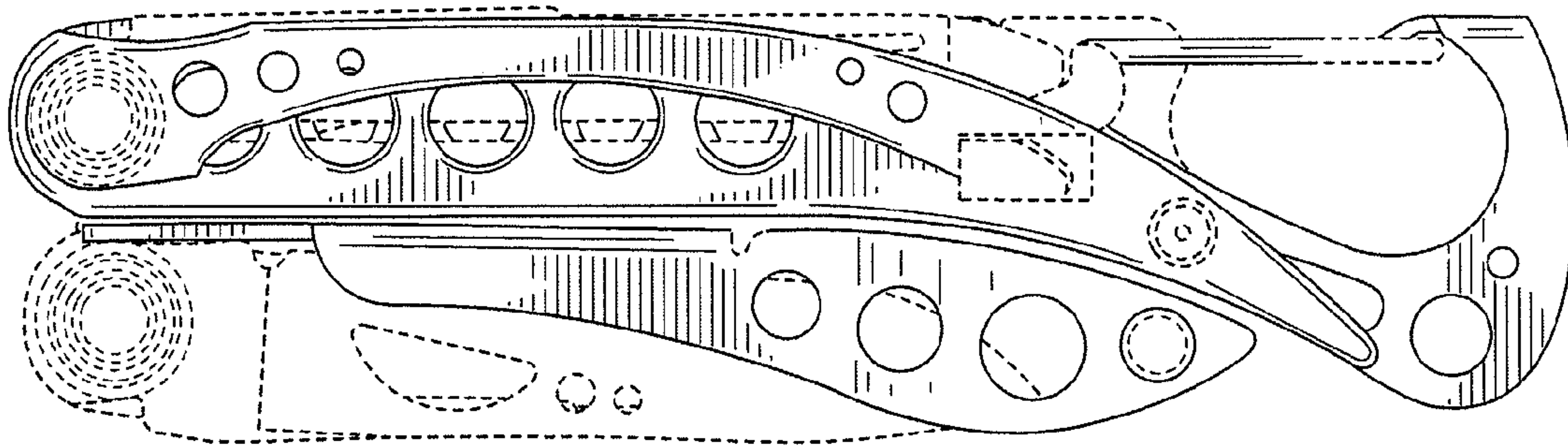


FIG. 11

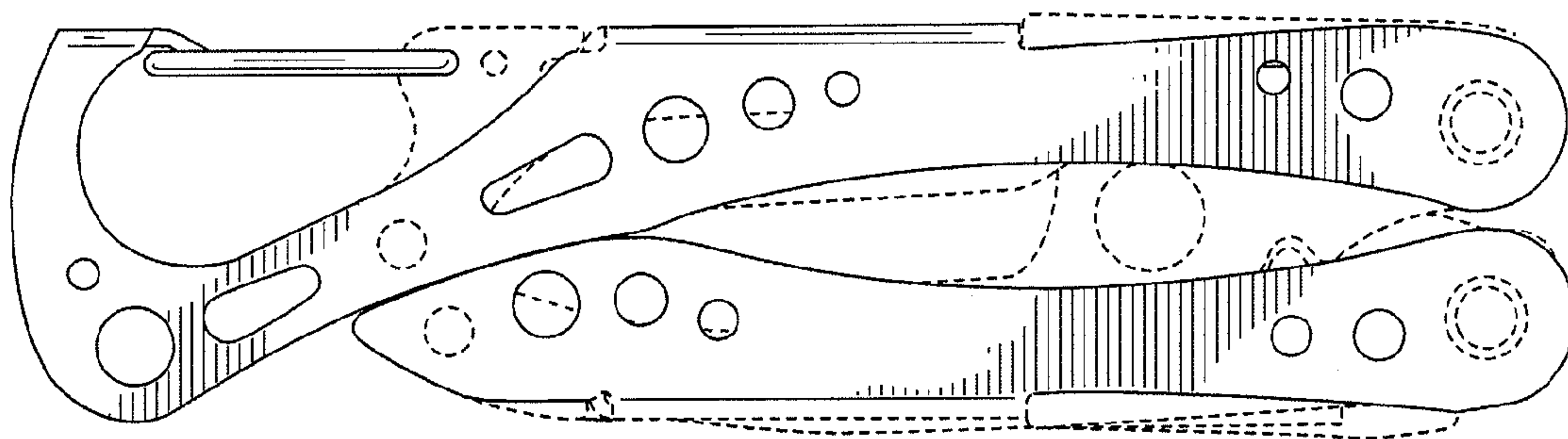
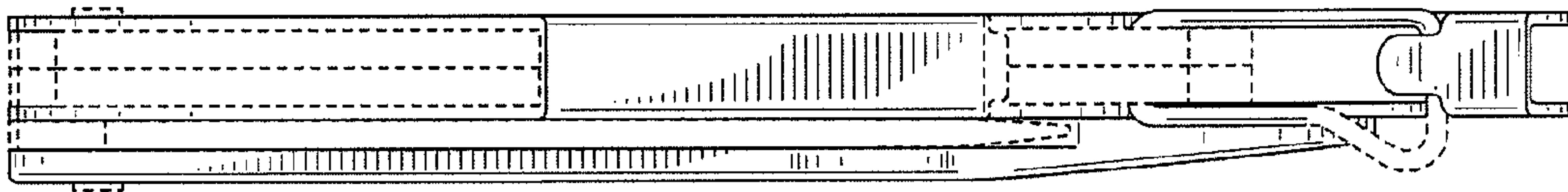
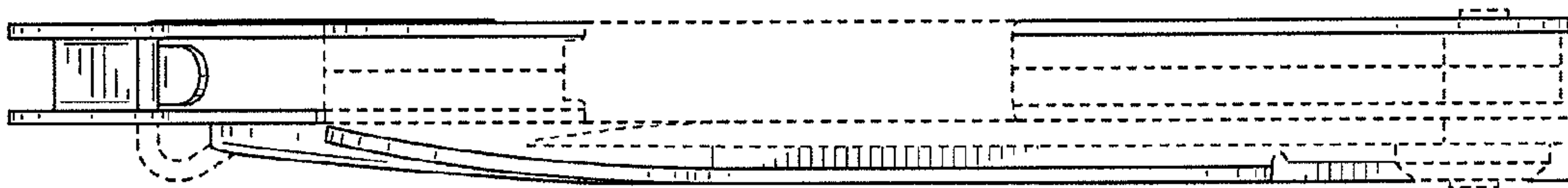


FIG. 12

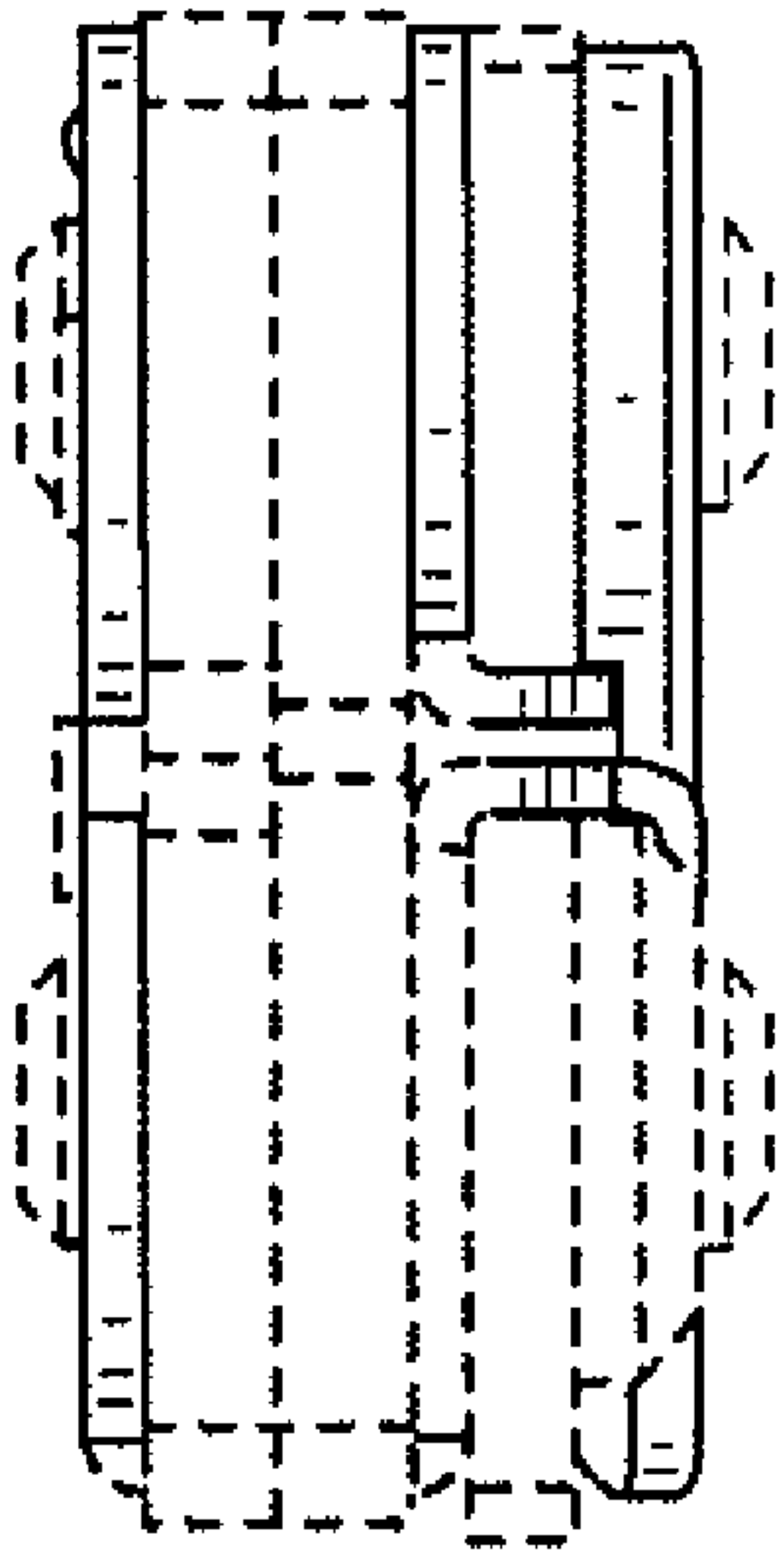


**FIG. 13**

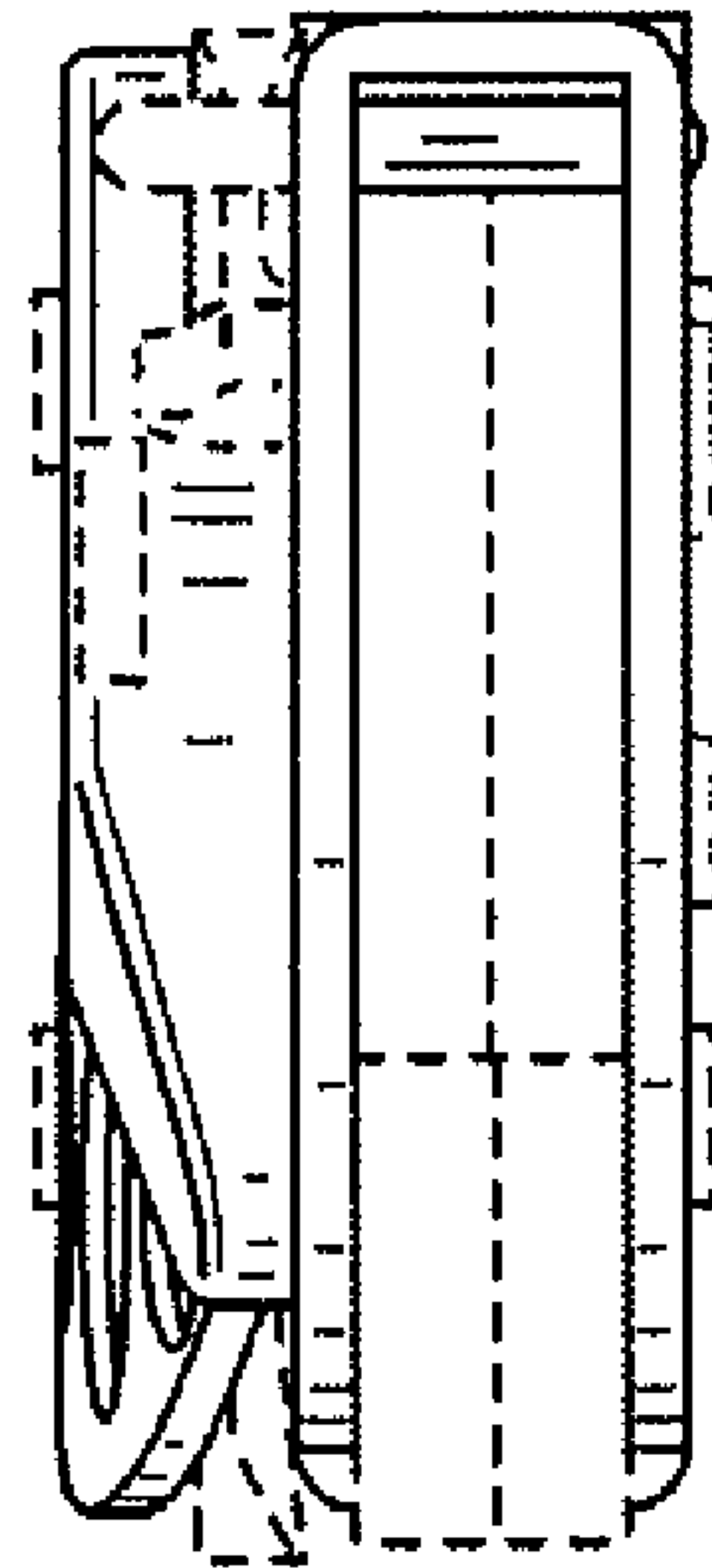


**FIG. 14**





**FIG. 15**



**FIG. 16**