



US00D626807S

(12) **United States Design Patent**
Louet-Feisser

(10) **Patent No.:** **US D626,807 S**

(45) **Date of Patent:** **** Nov. 9, 2010**

(54) **SOLDERING IRON**

(76) Inventor: **Darren Louet-Feisser**, Louet Woods
Products, Regional Development Centre,
Dundalk Institute of Technology, Dublin
Road, Dundalk, County Louth (IE)

(**) Term: **14 Years**

(21) Appl. No.: **29/336,977**

(22) Filed: **May 13, 2009**

(30) **Foreign Application Priority Data**

Nov. 19, 2008 (EM) 001048870-0001

(51) **LOC (9) Cl.** **08-05**

(52) **U.S. Cl.** **D8/30**

(58) **Field of Classification Search** D8/30,
D8/29.1, 29.2; 219/209, 200, 201, 221, 224–228,
219/235–238; D15/144, 144.1, 144.2
See application file for complete search history.

(56) **References Cited**

U.S. PATENT DOCUMENTS

3,261,576 A * 7/1966 Valyi 244/130
3,296,572 A * 1/1967 Kleven 338/28
D273,933 S * 5/1984 Royston D8/30

4,601,597 A * 7/1986 Bertram et al. 401/1
4,658,991 A * 4/1987 Dziki 222/146.5
5,664,701 A * 9/1997 Massena 222/146.5
D522,328 S * 6/2006 Miyazaki et al. D8/30
7,271,368 B2 * 9/2007 Yeung 219/222
D559,055 S * 1/2008 Axinte et al. D8/30
D587,975 S * 3/2009 Aronson et al. D8/29.1
D588,888 S * 3/2009 Yung-Kuan D8/30
2009/0087247 A1 * 4/2009 Jennings et al. 401/1

* cited by examiner

Primary Examiner—Prabhakar Deshmukh

(74) *Attorney, Agent, or Firm*—Summa, Additon & Ashe,
P.A.

(57) **CLAIM**

The ornamental design for a soldering iron, as shown and described.

DESCRIPTION

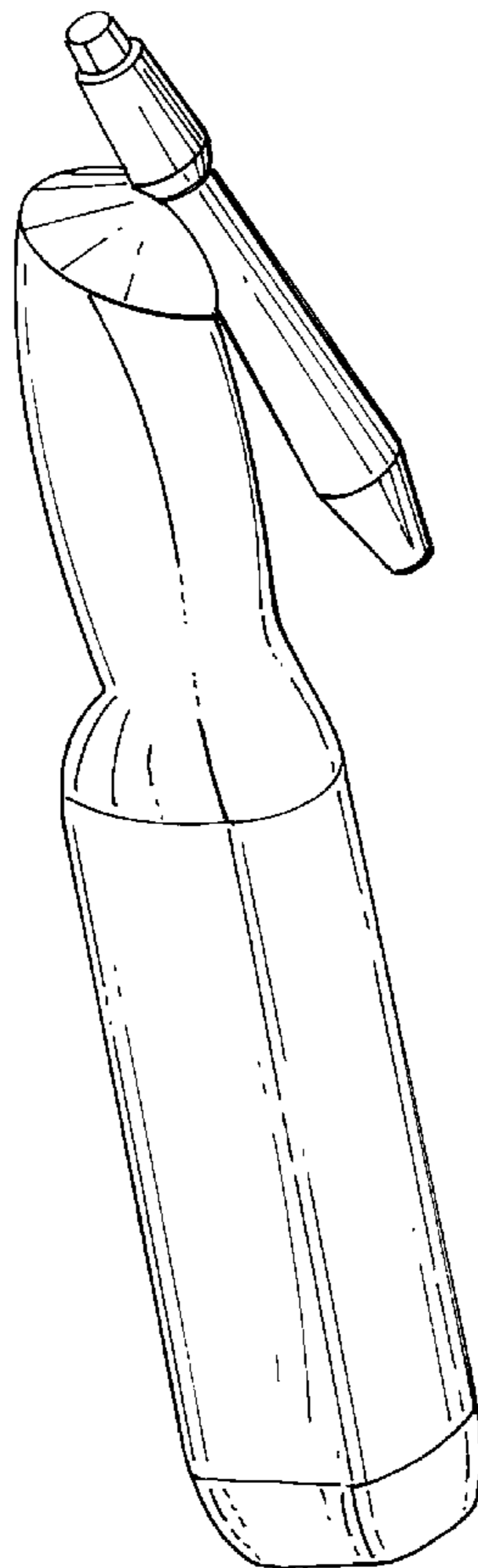
FIG. 1 is a perspective view of a soldering iron showing my new design.

FIG. 2 is a side elevational view thereof;

FIG. 3 is a top plan view thereof; and,

FIG. 4 is an enlarged scale front elevational view thereof.

1 Claim, 4 Drawing Sheets



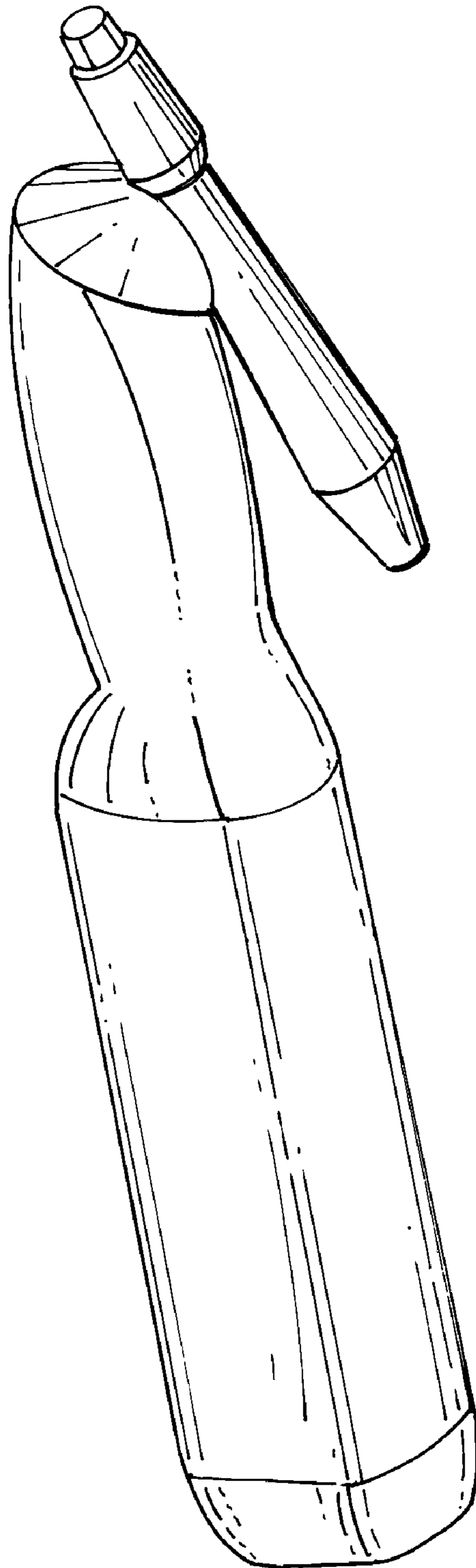


FIG. 1

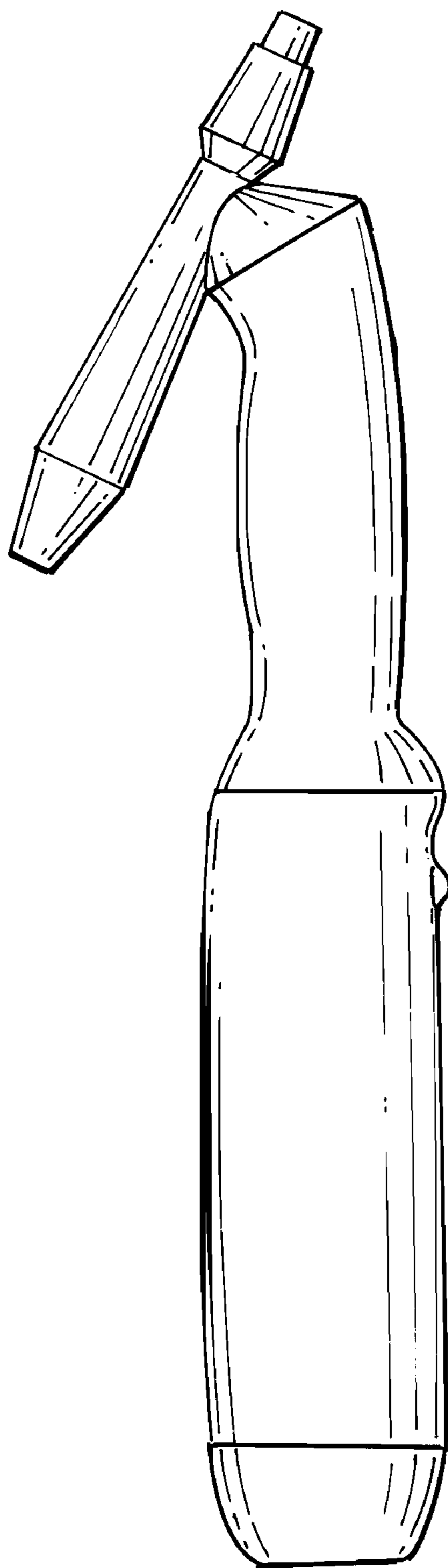


FIG. 2



FIG. 3

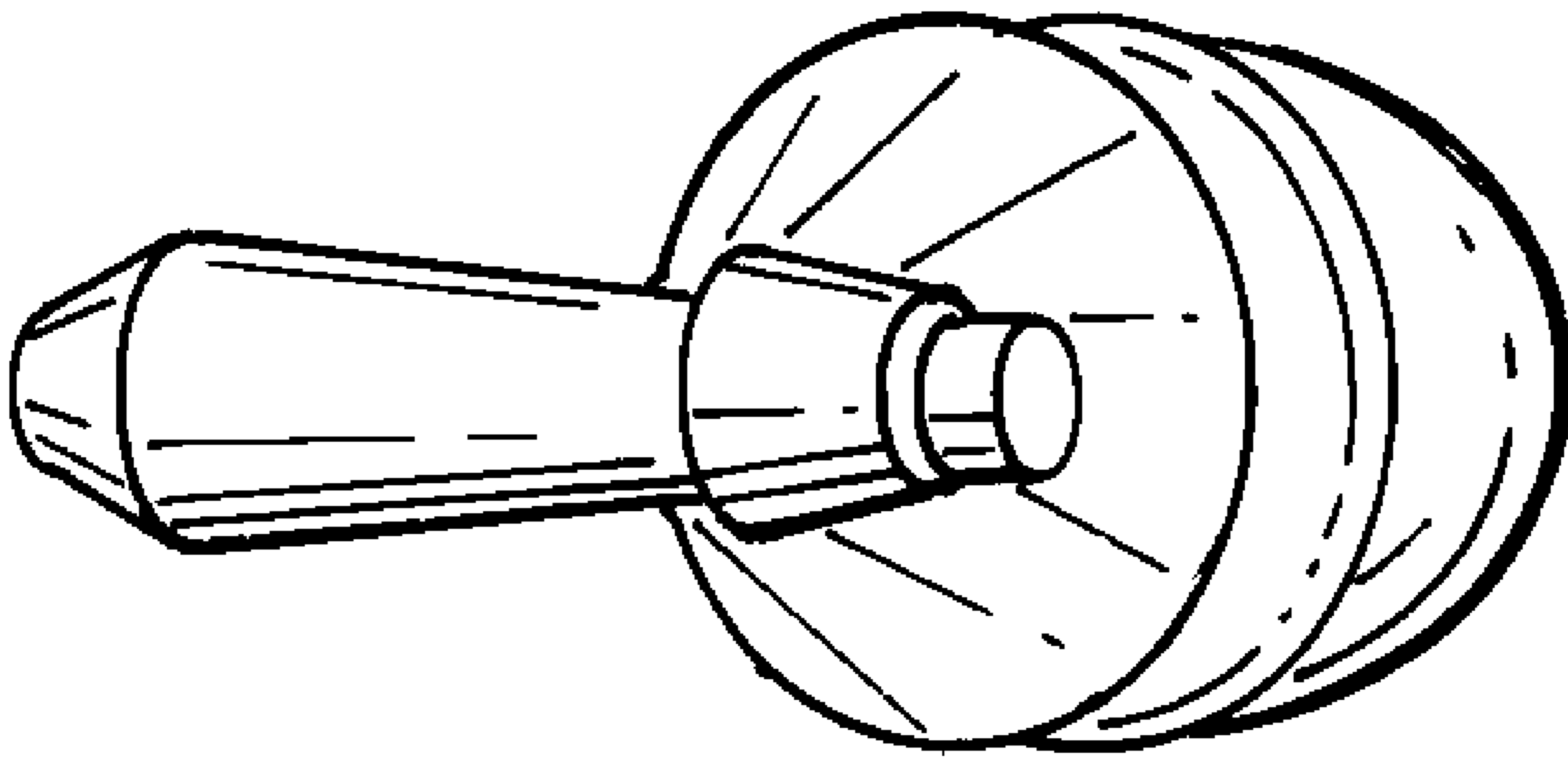


FIG. 4