



US00D626803S

(12) **United States Design Patent**  
**Coutu**

(10) **Patent No.:** **US D626,803 S**

(45) **Date of Patent:** **\*\* Nov. 9, 2010**

(54) **MATERIAL HANDLING TOOL**

(76) Inventor: **Timothy M. Coutu**, 6804-86 Street,  
Edmonton, AL (CA) T6E2Y1

(\*\*) Term: **14 Years**

(21) Appl. No.: **29/342,343**

(22) Filed: **Aug. 23, 2009**

(51) **LOC (9) Cl.** ..... **08-01**

(52) **U.S. Cl.** ..... **D8/10**

(58) **Field of Classification Search** ..... D8/10;  
294/49, 53.5, 54.5, 51, 56, 58; 56/400.01  
See application file for complete search history.

(56) **References Cited**

U.S. PATENT DOCUMENTS

1,260,276	A	3/1918	Miller	
2,721,346	A	10/1955	Mora	
3,222,699	A	12/1965	Zeisig	
3,787,921	A	1/1974	Feldmann	
D385,160	S	10/1997	Tisbo et al.	
D395,383	S *	6/1998	Mohindru	D8/7
5,983,504	A	11/1999	Tisbo et al.	
D467,140	S *	12/2002	Dedrick	D8/10
D515,262	S	2/2006	Hay	

D598,256	S *	8/2009	Chesness	D8/10
D602,318	S *	10/2009	Chesness	D8/10
2006/0197349	A1	9/2006	Dawes	
2009/0051180	A1	2/2009	Marlin	

\* cited by examiner

*Primary Examiner*—Holly H Baynham

*Assistant Examiner*—Sheryl Lane

(74) *Attorney, Agent, or Firm*—QuickPatents, Inc.; Kevin Prince

(57) **CLAIM**

I claim the ornamental design for a material handling tool, as shown and described.

**DESCRIPTION**

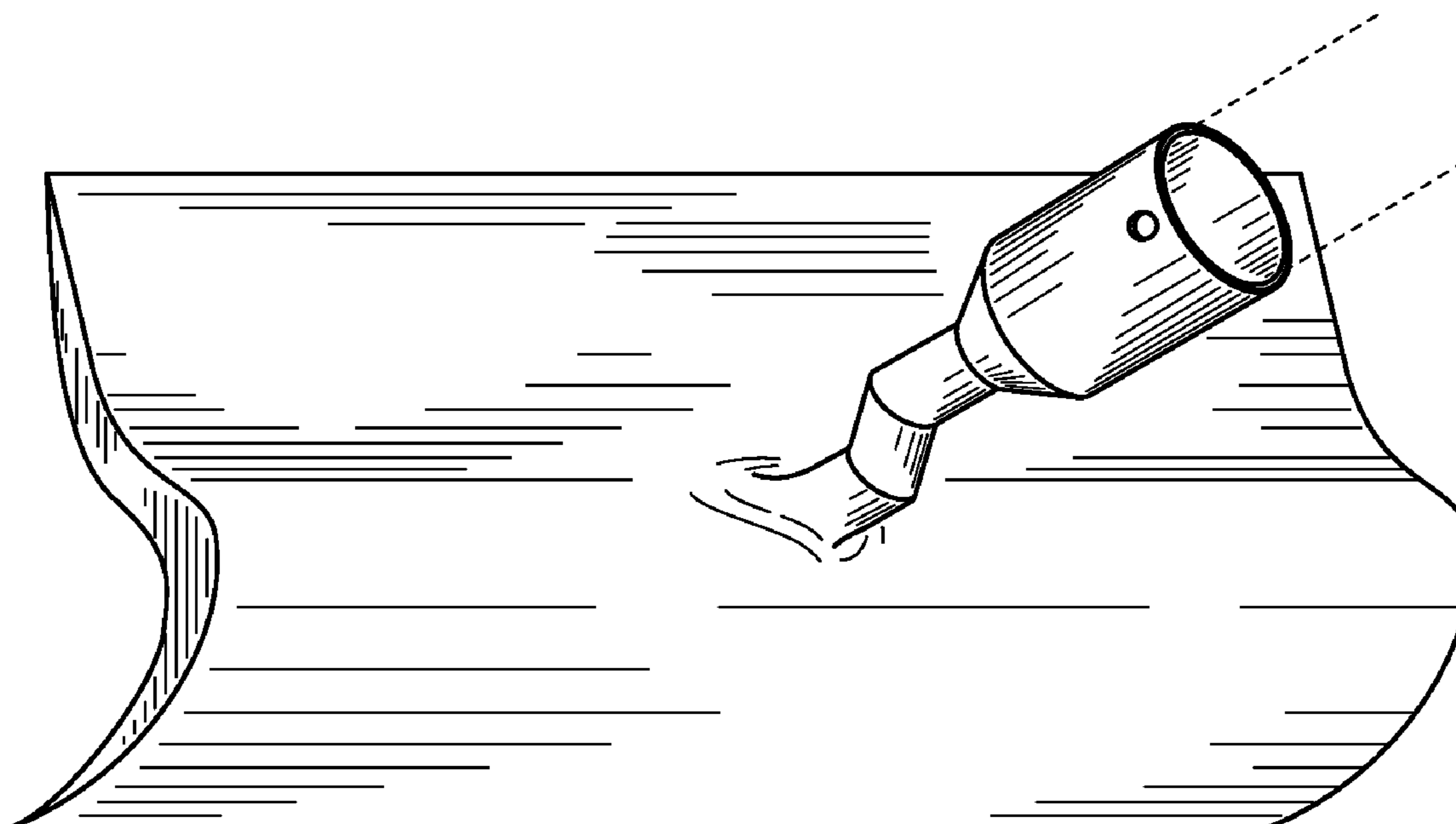
FIG. 1 is a perspective view

FIG. 2 is a left-side elevational view thereof, the right-side elevational view being a mirror image thereof; and,

FIG. 3 is a top plan view thereof.

The broken line showing of the tool handle is included for the purpose of illustrating portions of the article and forms no part of the claimed design.

**1 Claim, 2 Drawing Sheets**



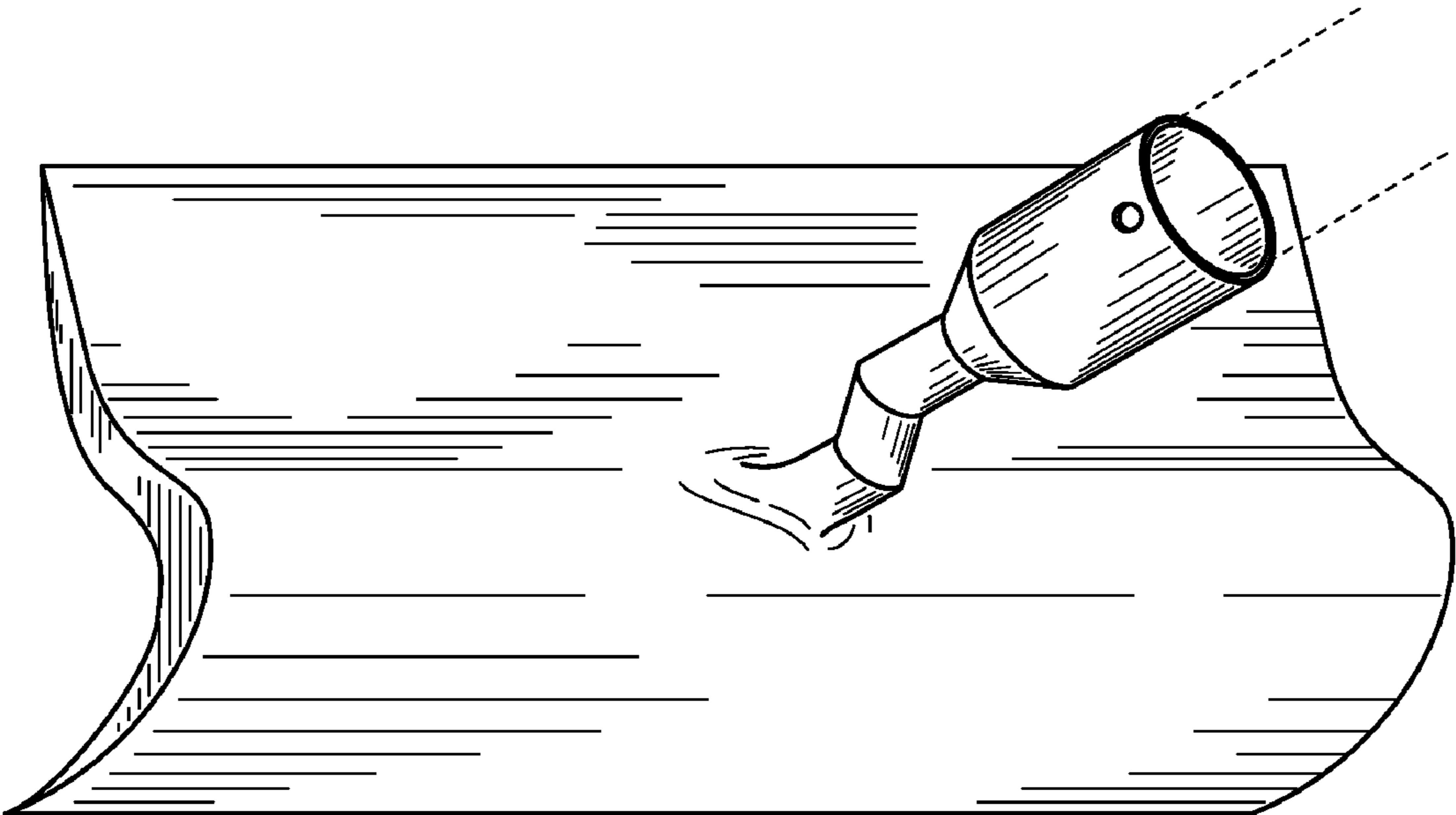


FIG. 1

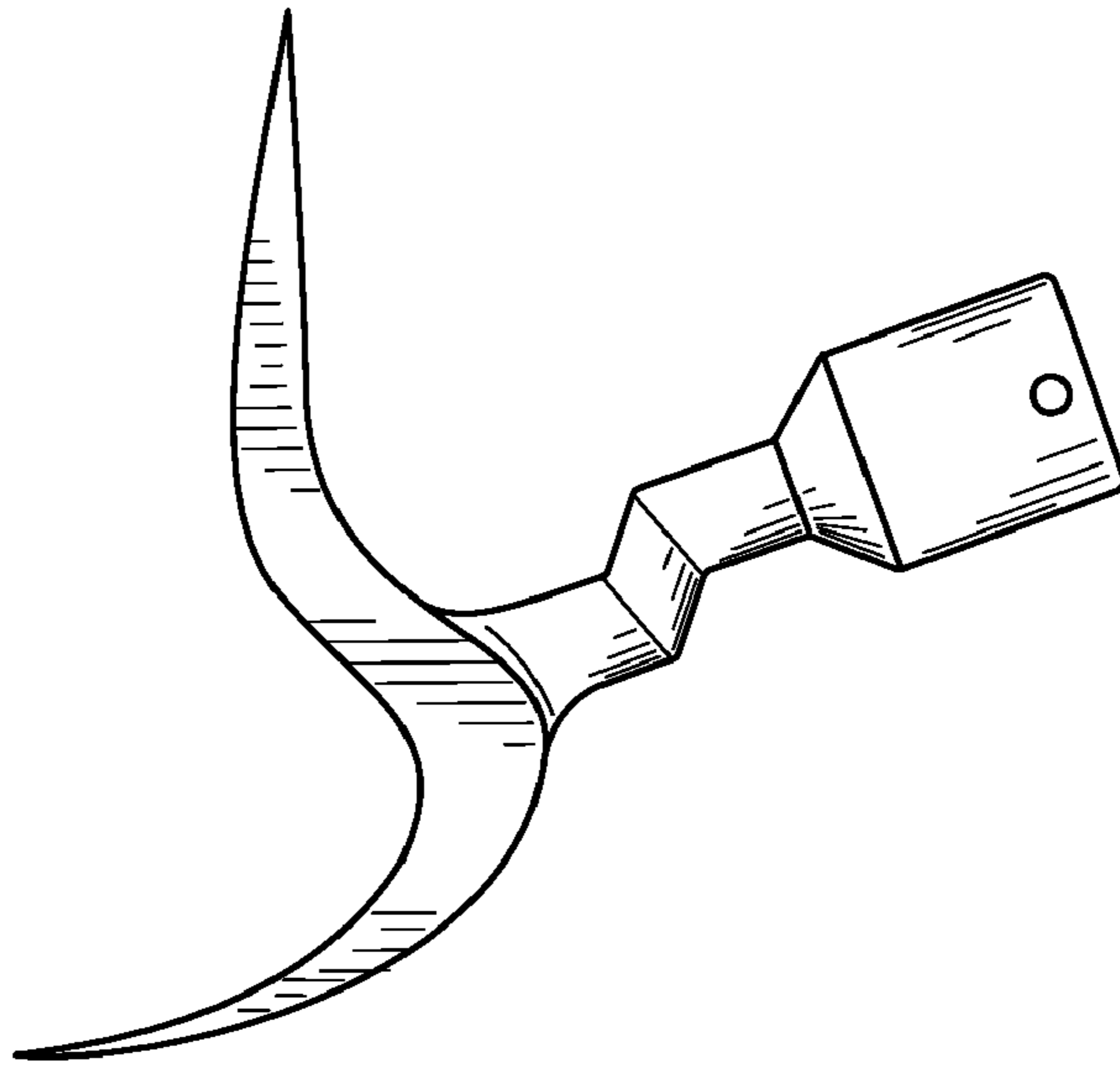


FIG. 2

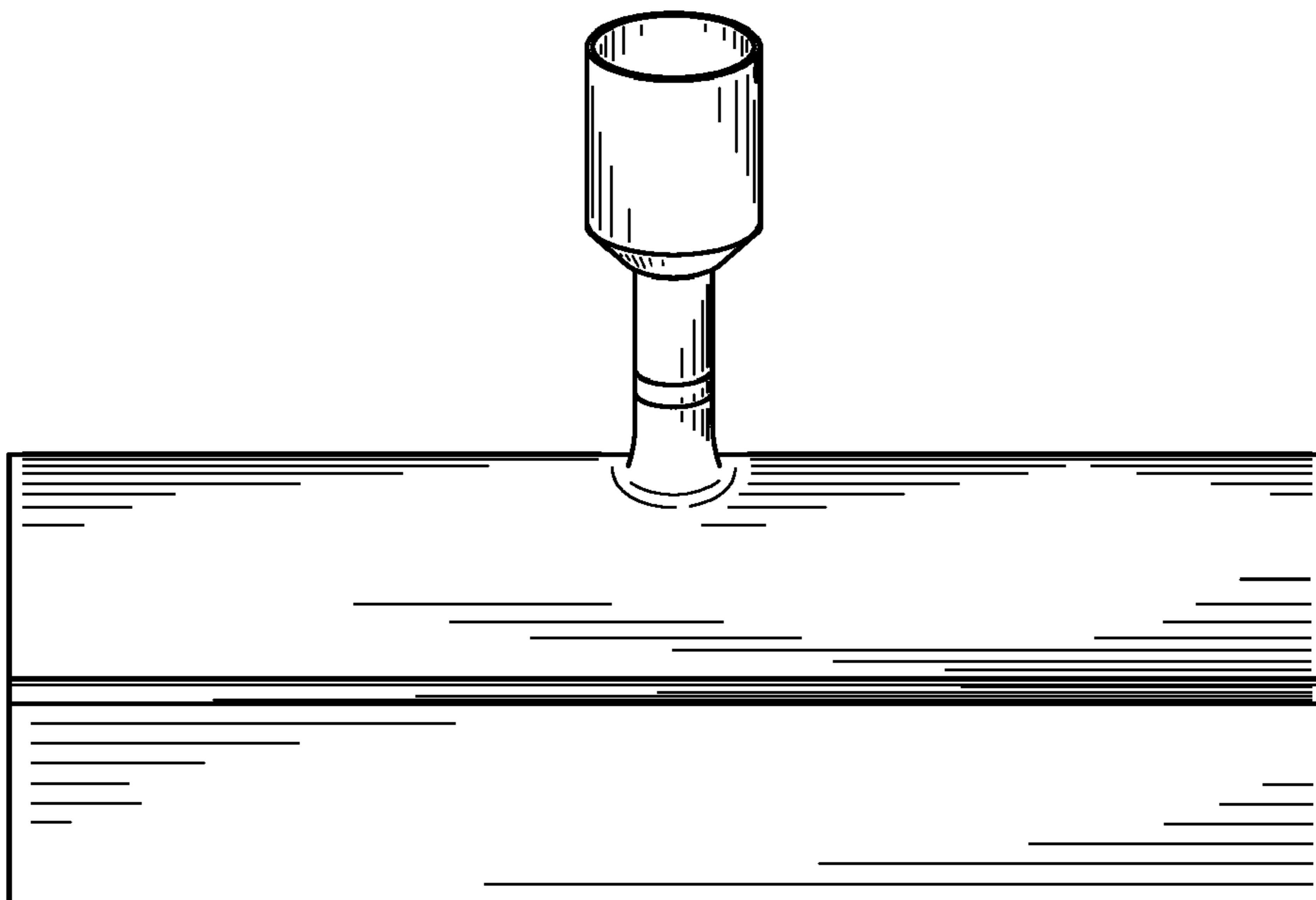


FIG. 3