

US00D626802S

(12) **United States Design Patent**  
**Charette**

(10) **Patent No.:** **US D626,802 S**  
(45) **Date of Patent:** **\*\* Nov. 9, 2010**

(54) **GROUND SPIKE WITH A FIXED ROUND HEAD**

(76) Inventor: **Pierre Charette**, 4521 rue des Carouges,  
Notre-Dame-du-Mont-Carmel, Quebec  
(CA) G0X 3J0

(\*\*) Term: **14 Years**

(21) Appl. No.: **29/347,335**

(22) Filed: **Dec. 9, 2009**

(51) **LOC (9) Cl.** ..... **08-01**

(52) **U.S. Cl.** ..... **D8/1**

(58) **Field of Classification Search** ..... D8/1,  
D8/388; D26/138, 67; 47/47; 135/118;  
248/156, 87

See application file for complete search history.

(56) **References Cited**

**U.S. PATENT DOCUMENTS**

D243,614 S *	3/1977	Russo	.....	D25/126
D419,403 S *	1/2000	Halil, Jr.	.....	D8/1
D553,919 S *	10/2007	Gross et al.	.....	D8/1
D572,986 S *	7/2008	Zhu et al.	.....	D8/1
D576,020 S *	9/2008	Arcati	.....	D8/349
D577,966 S *	10/2008	Cosimo	.....	D8/1
D582,732 S *	12/2008	Cox	.....	D8/1
7,472,874 B2 *	1/2009	Gross et al.	.....	248/156

\* cited by examiner

*Primary Examiner*—Holly H Baynham

*Assistant Examiner*—Sheryl Lane

(74) *Attorney, Agent, or Firm*—Welsh Flaxman & Gitler LLC

(57) **CLAIM**

The ornamental design for a ground spike with a fixed round head, as shown, and described.

**DESCRIPTION**

FIG. 1 is a front view of the ground spike with a fixed round head;

FIG. 2 is a back view of the ground spike with a fixed round head;

FIG. 3 is a left-side view of the ground spike with a fixed round head;

FIG. 4 is a right side view of the ground spike with a fixed round head;

FIG. 5 is a top view of the ground spike with a fixed round head;

FIG. 6 is a bottom view of the ground spike with a fixed round head;

FIG. 7 is a perspective view of the ground spike with a fixed round head;

FIG. 8 is a front view of an alternate embodiment of the ground spike with a fixed round head;

FIG. 9 is a back view of an alternate embodiment of the ground spike with a fixed round head;

FIG. 10 is a left-side view of an alternate embodiment of the ground spike with a fixed round head;

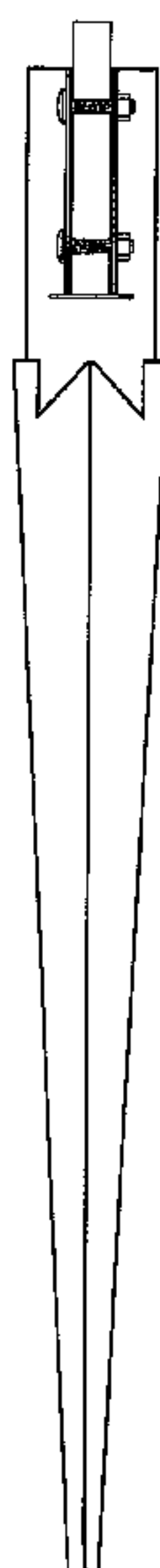
FIG. 11 is a right side view of an alternate embodiment of the ground spike with a fixed round head;

FIG. 12 is a top view of an alternate embodiment of the ground spike with a fixed round head;

FIG. 13 is a bottom view of an alternate embodiment of the ground spike with a fixed round head; and,

FIG. 14 is a perspective view of an alternate embodiment of the ground spike with a fixed round head.

**1 Claim, 14 Drawing Sheets**



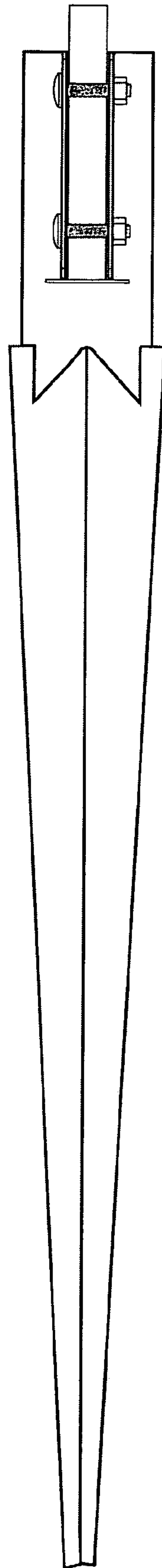


Figure 1

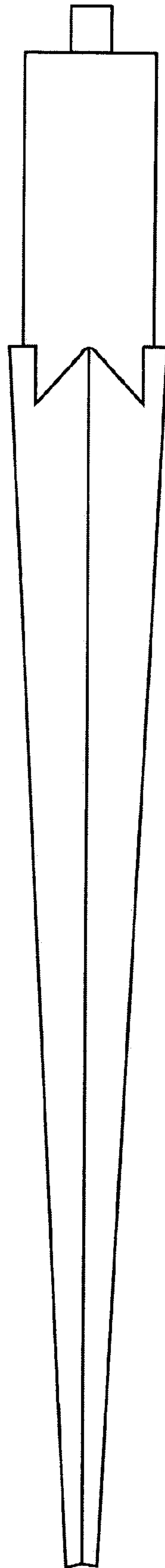


Figure 2

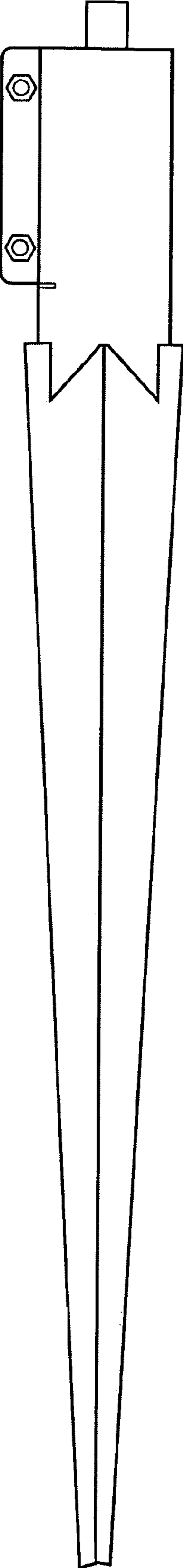


Figure 3

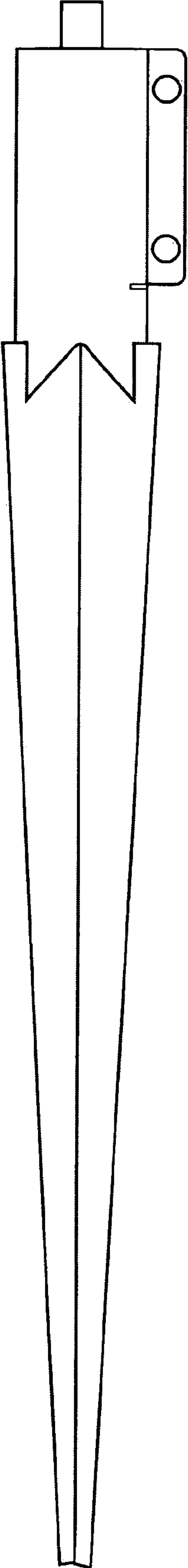


Figure 4

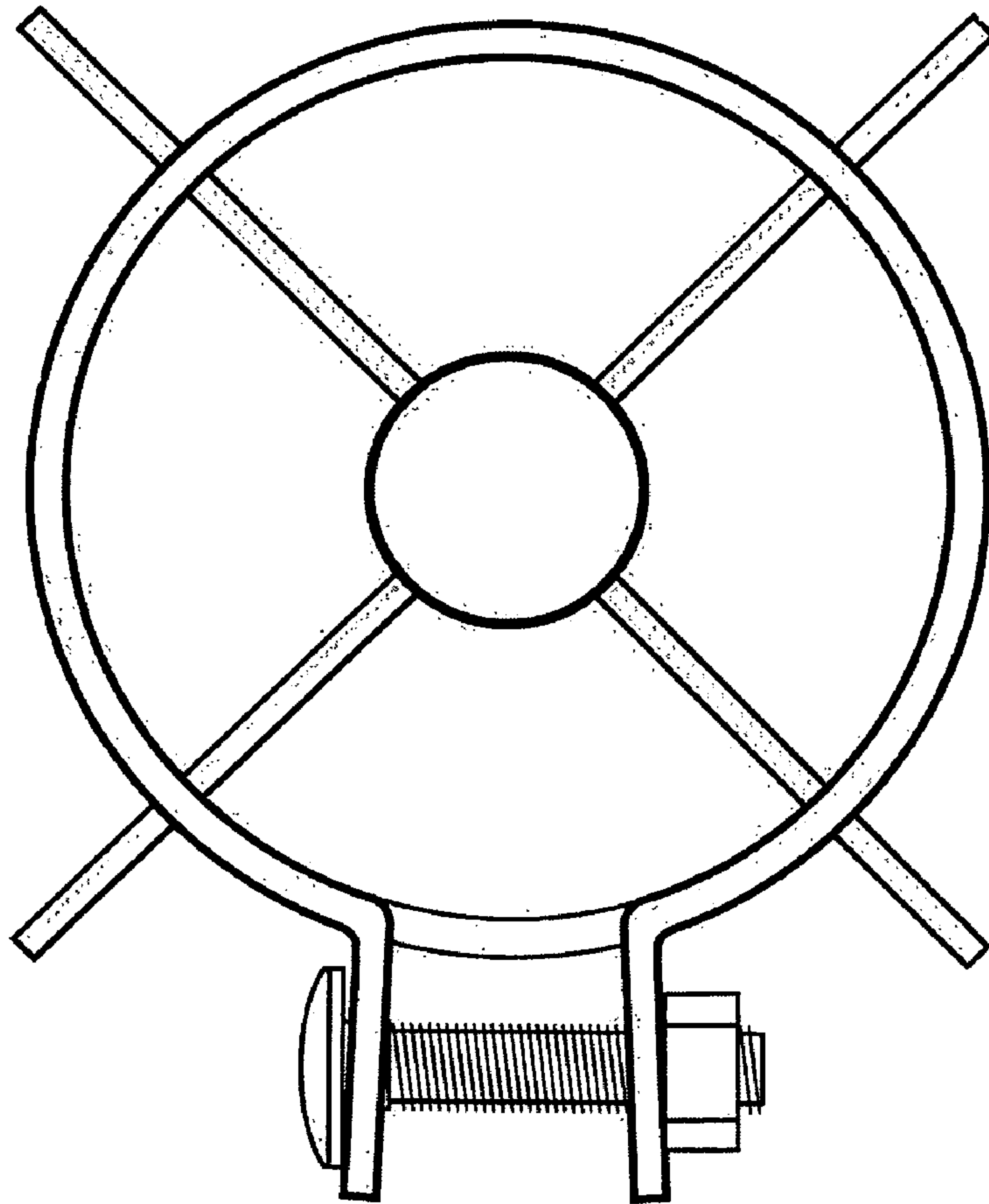


Figure 5

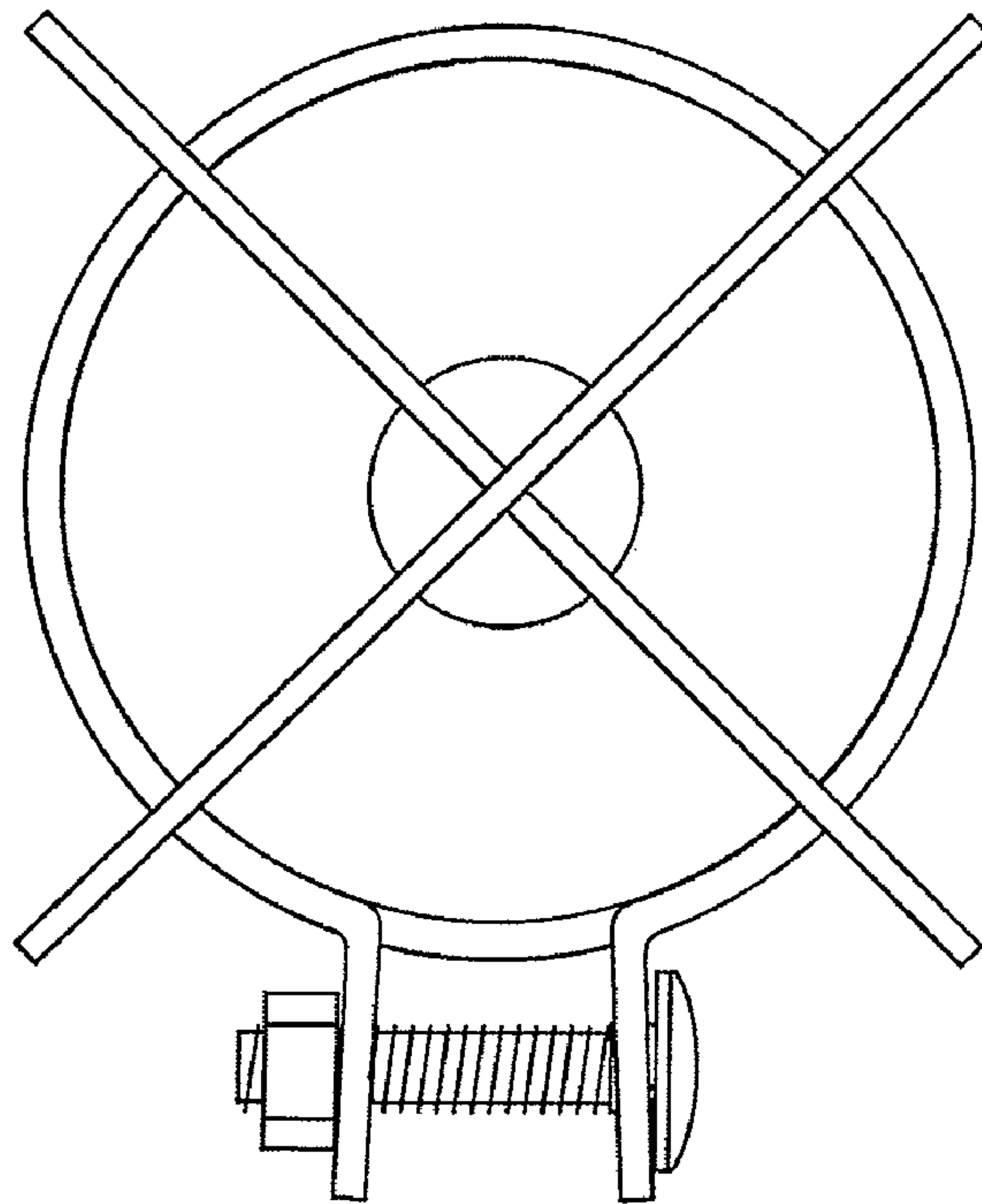


FIG. 6

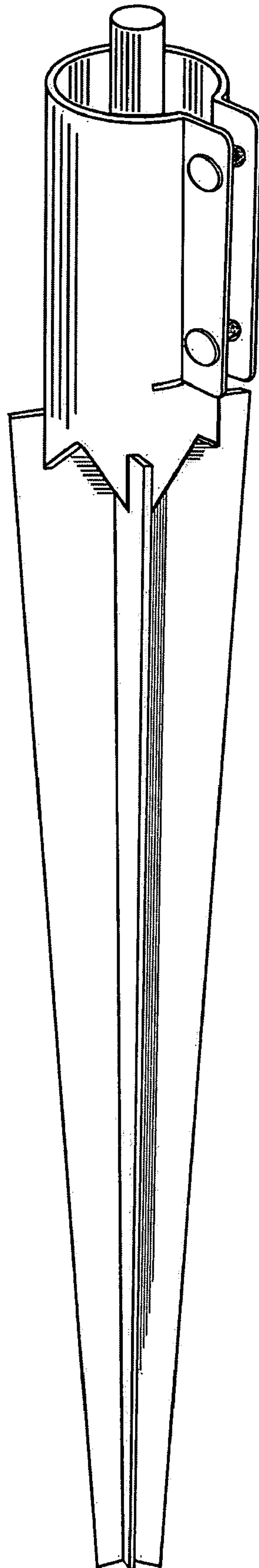


Figure 7



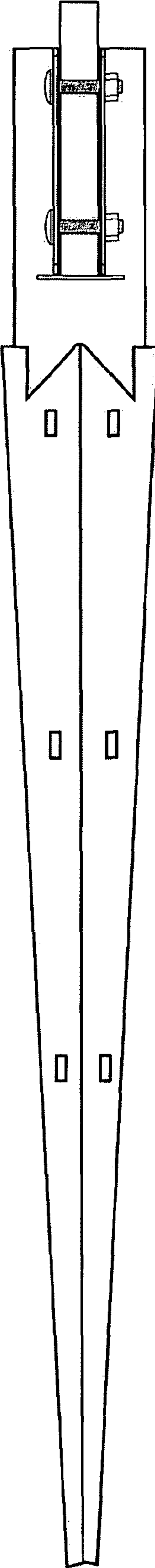


Figure 8

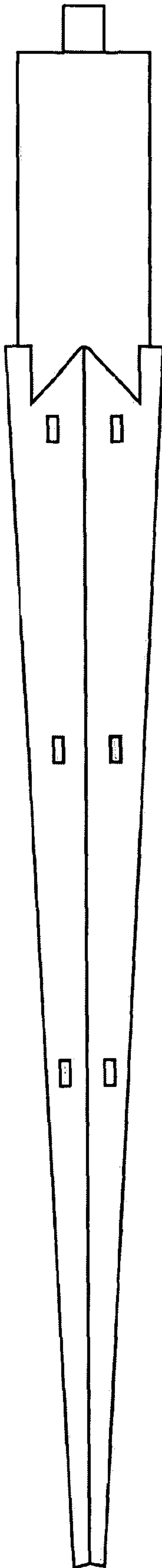


Figure 9

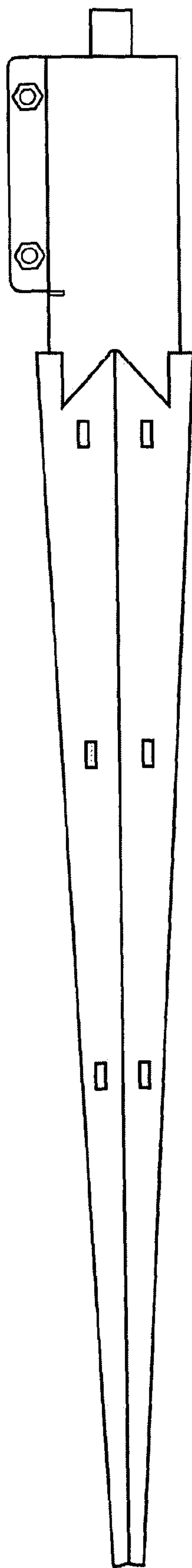


Figure 10

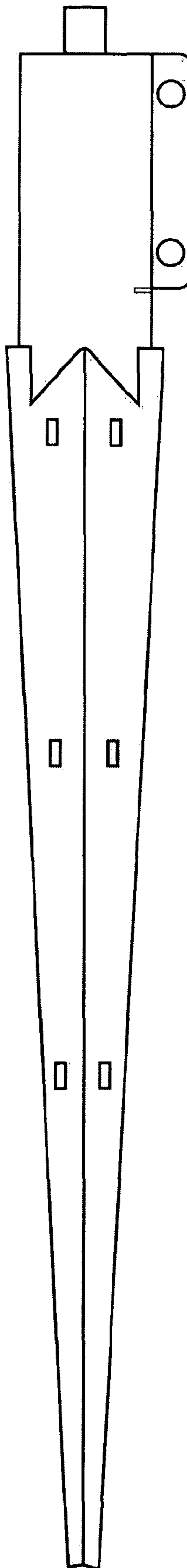


Figure 11

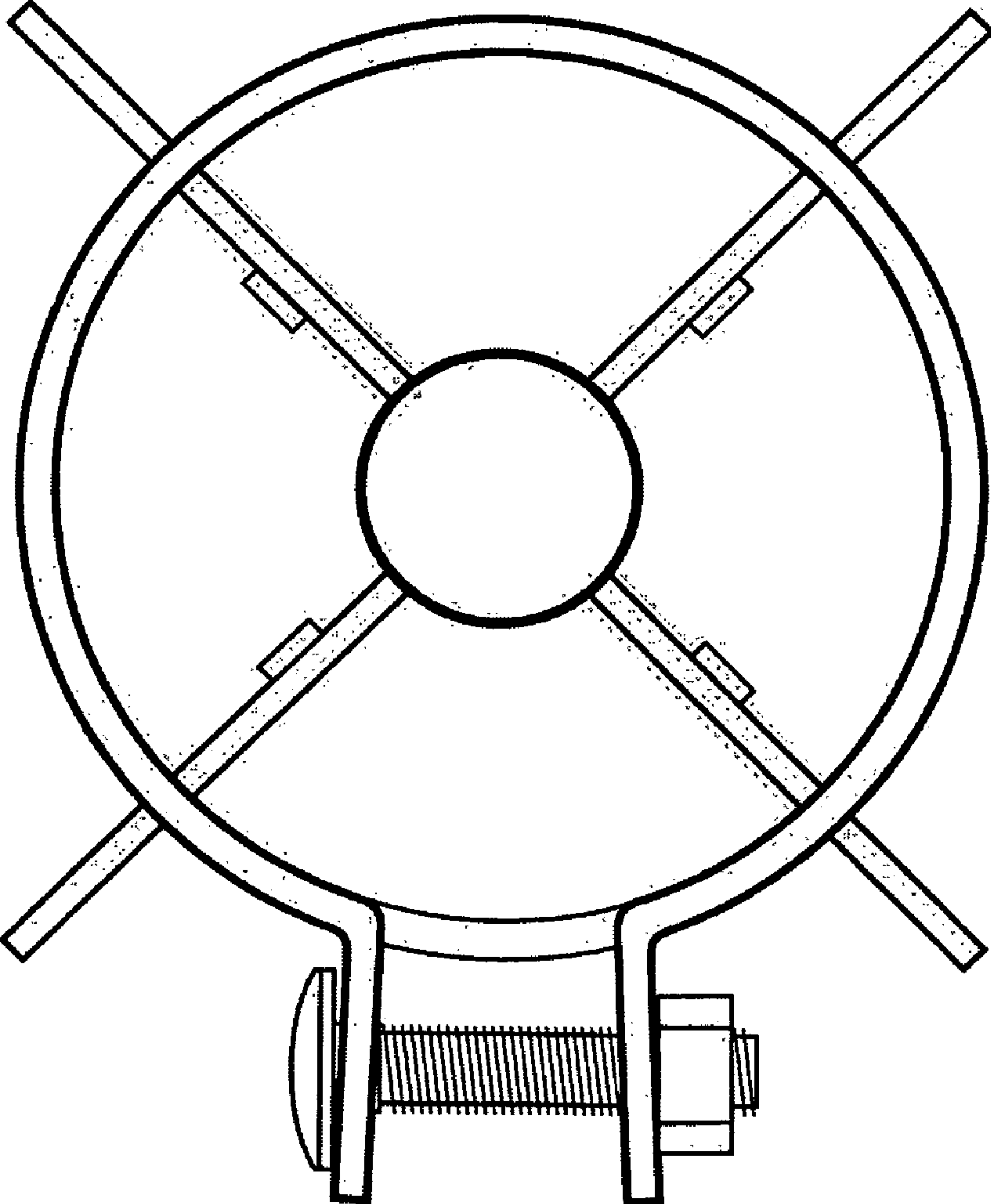


Figure 12

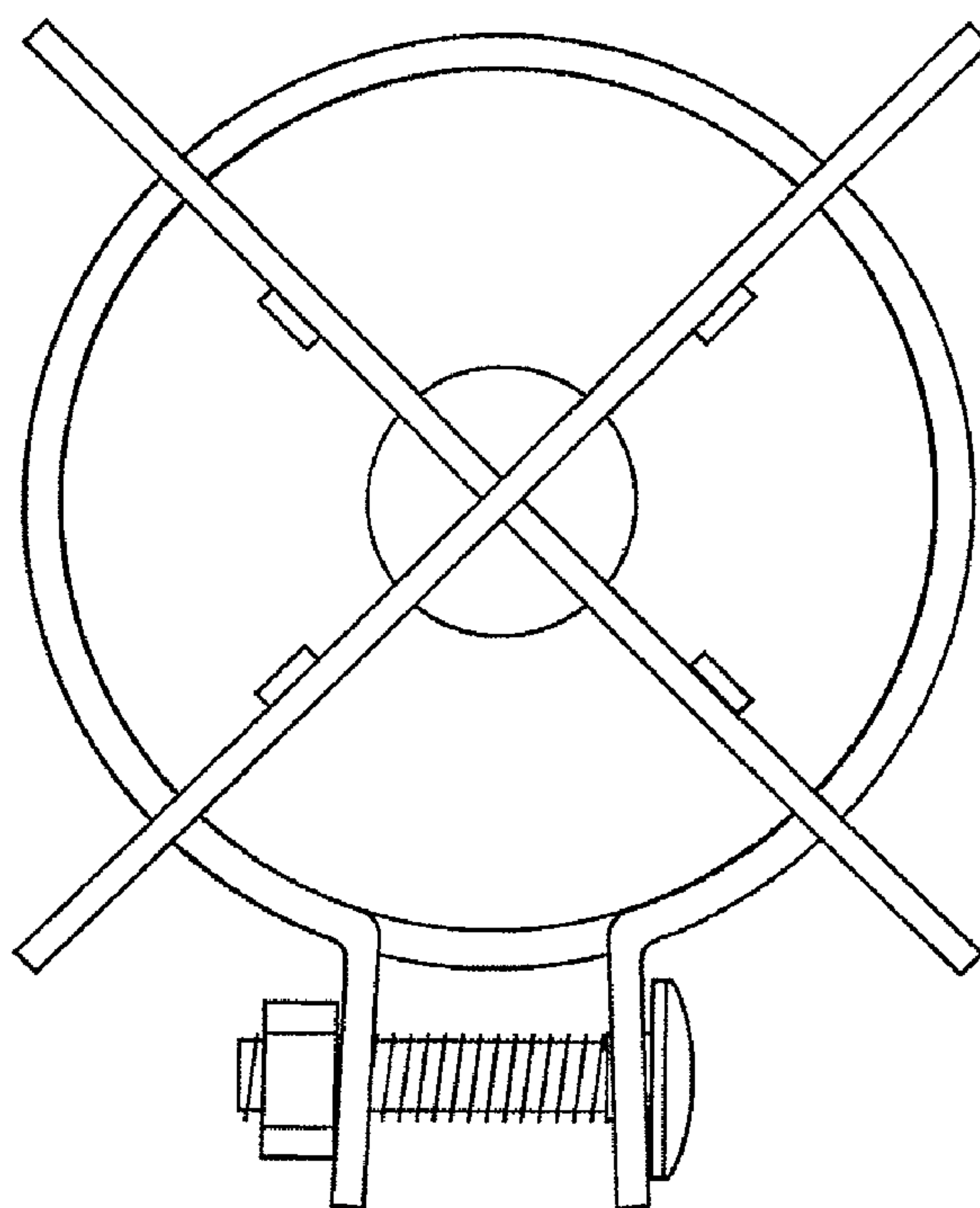


FIG. 13

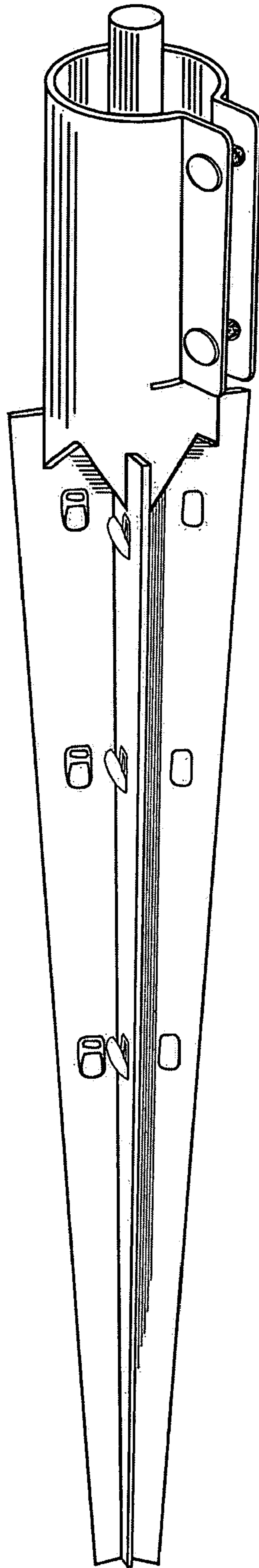


Figure 14