



US00D626797S

(12) **United States Design Patent**  
**Guide, Jr. et al.**

(10) **Patent No.:** **US D626,797 S**

(45) **Date of Patent:** **\*\* Nov. 9, 2010**

(54) **BARBECUE ASSEMBLY**

(75) Inventors: **William Guide, Jr.**, Mokena, IL (US);  
**Steven Bolek**, Homer Glen, IL (US)

(73) Assignee: **Pit Crew Barbeque, LLC**, Summit, IL (US)

(\*\*) Term: **14 Years**

(21) Appl. No.: **29/332,113**

(22) Filed: **Feb. 9, 2009**

**Related U.S. Application Data**

(63) Continuation of application No. 29/306,497, filed on Apr. 10, 2008, now Pat. No. Des. 587,536.

(51) **LOC (9) Cl.** ..... **07-02**

(52) **U.S. Cl.** ..... **D7/683; D7/684**

(58) **Field of Classification Search** ..... D7/680-696,  
D7/395; 30/322, 323, 123, 142; 294/1.1,  
294/2, 7, 8, 5, 26, 50, 55.5; 7/113, 164, 167  
See application file for complete search history.

(56) **References Cited**

**U.S. PATENT DOCUMENTS**

- D193,440 S \* 8/1962 Vernon ..... D7/686
- D258,940 S \* 4/1981 Zelinski ..... D7/683
- D272,406 S \* 1/1984 Steiner ..... D7/683
- D481,916 S \* 11/2003 Kortleven et al. .... D7/692

D525,836 S \* 8/2006 Moore ..... D7/689

\* cited by examiner

*Primary Examiner*—Terry A Wallace

(74) *Attorney, Agent, or Firm*—Banner & Witcoff, Ltd.

(57) **CLAIM**

We claim the ornamental design for a barbecue assembly, as shown and described.

**DESCRIPTION**

FIG. 1 is a perspective view of a barbecue assembly of the present claimed design;

FIG. 2 is a top view of the barbecue assembly shown in FIG. 1;

FIG. 3 is a bottom view of the barbecue assembly shown in FIG. 1;

FIG. 4 is a front view of the barbecue assembly shown in FIG. 1;

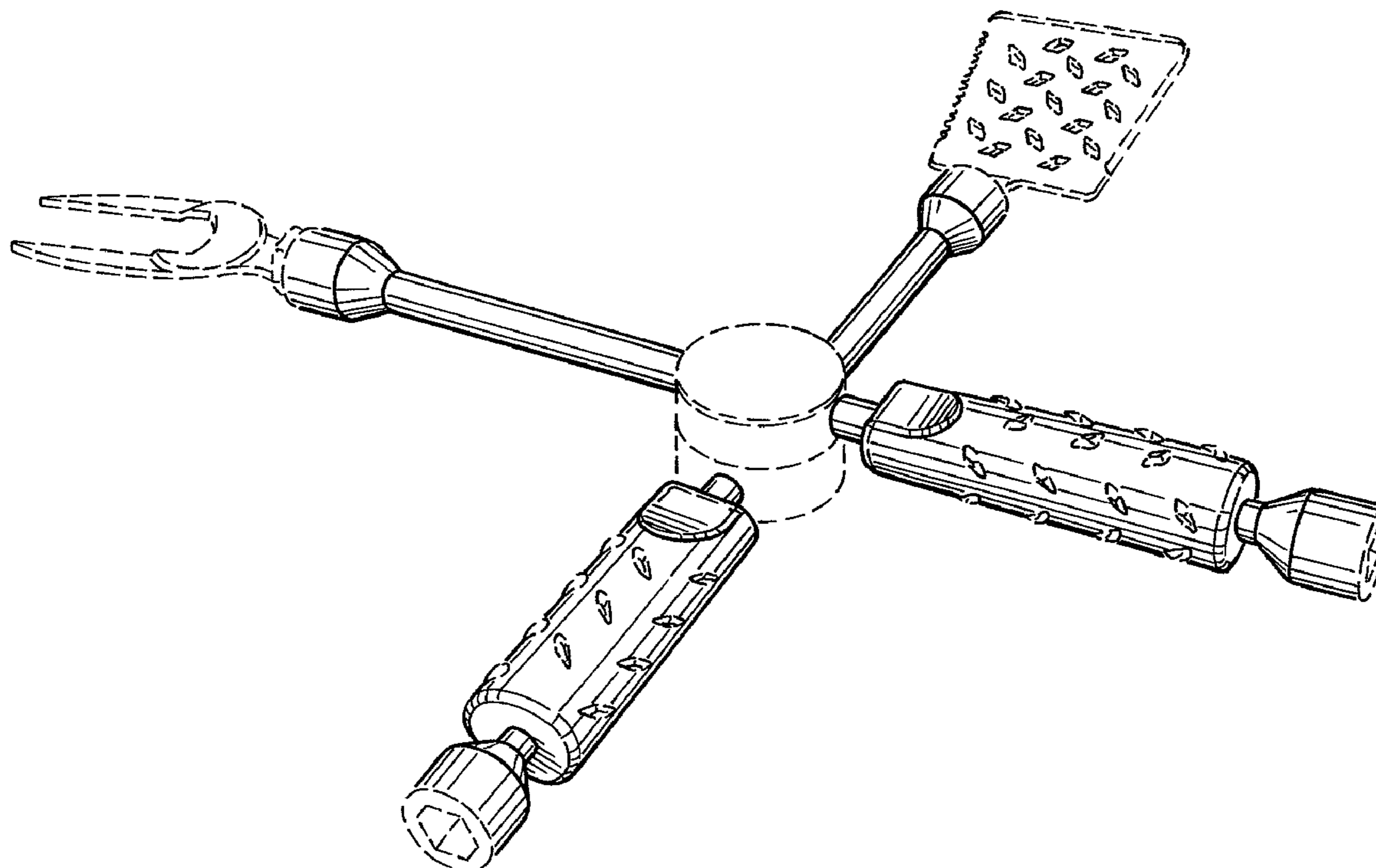
FIG. 5 is a rear view of the barbecue assembly shown in FIG. 1;

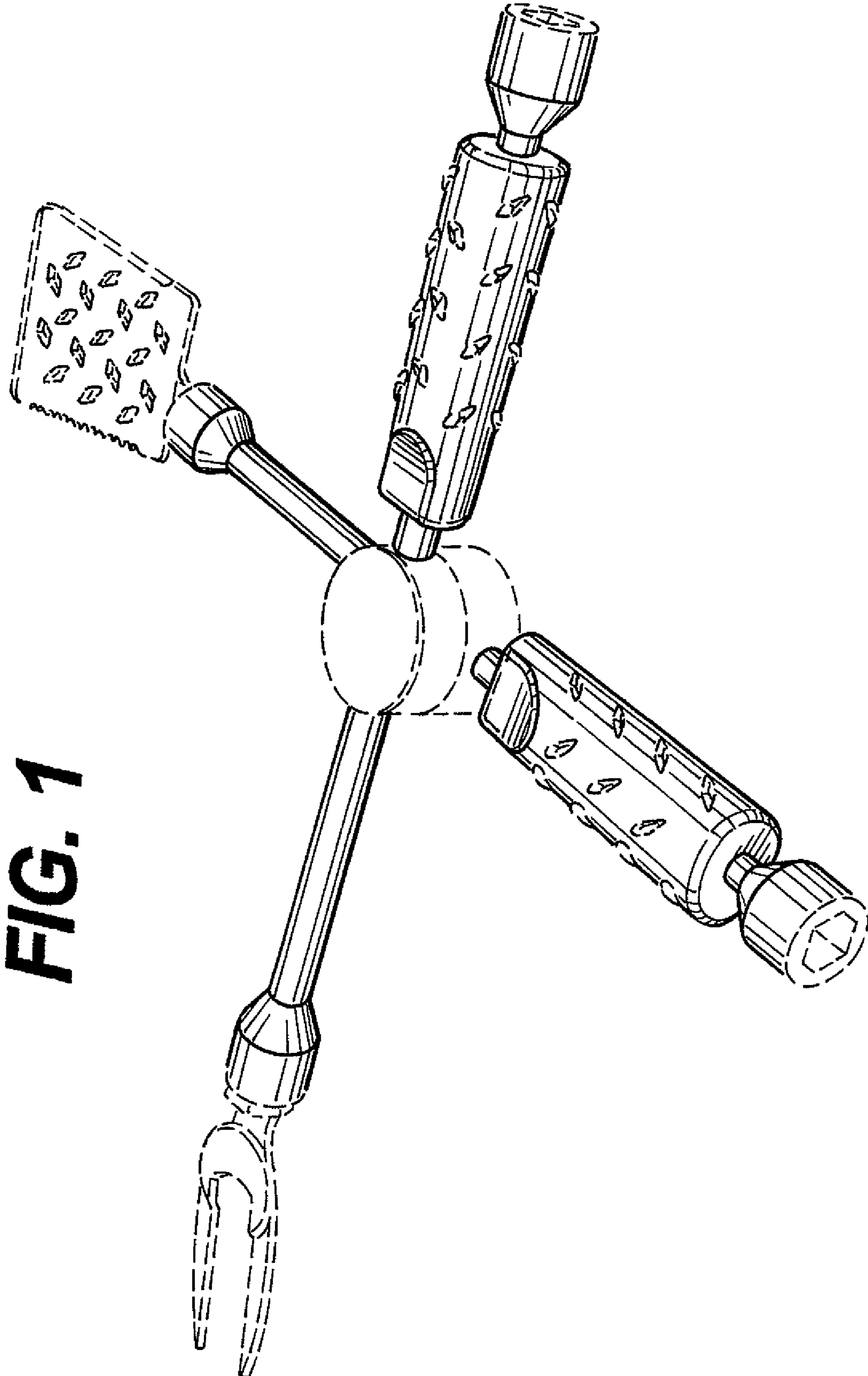
FIG. 6 is a left side view of the barbecue assembly shown in FIG. 1; and,

FIG. 7 is a right side view of the barbecue assembly shown in FIG. 1.

Features shown in broken lines in the drawings form no part of the claimed design.

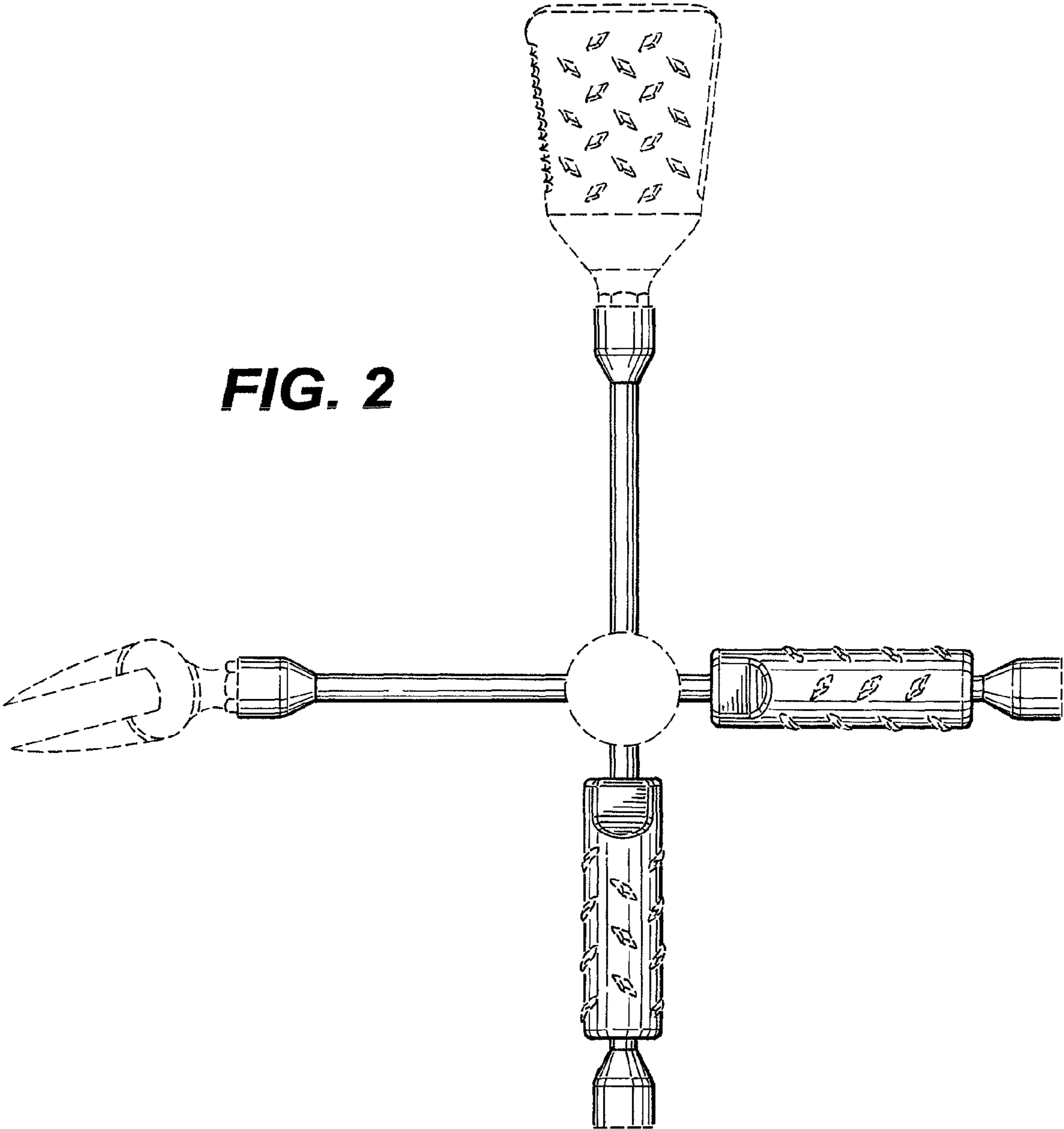
**1 Claim, 4 Drawing Sheets**



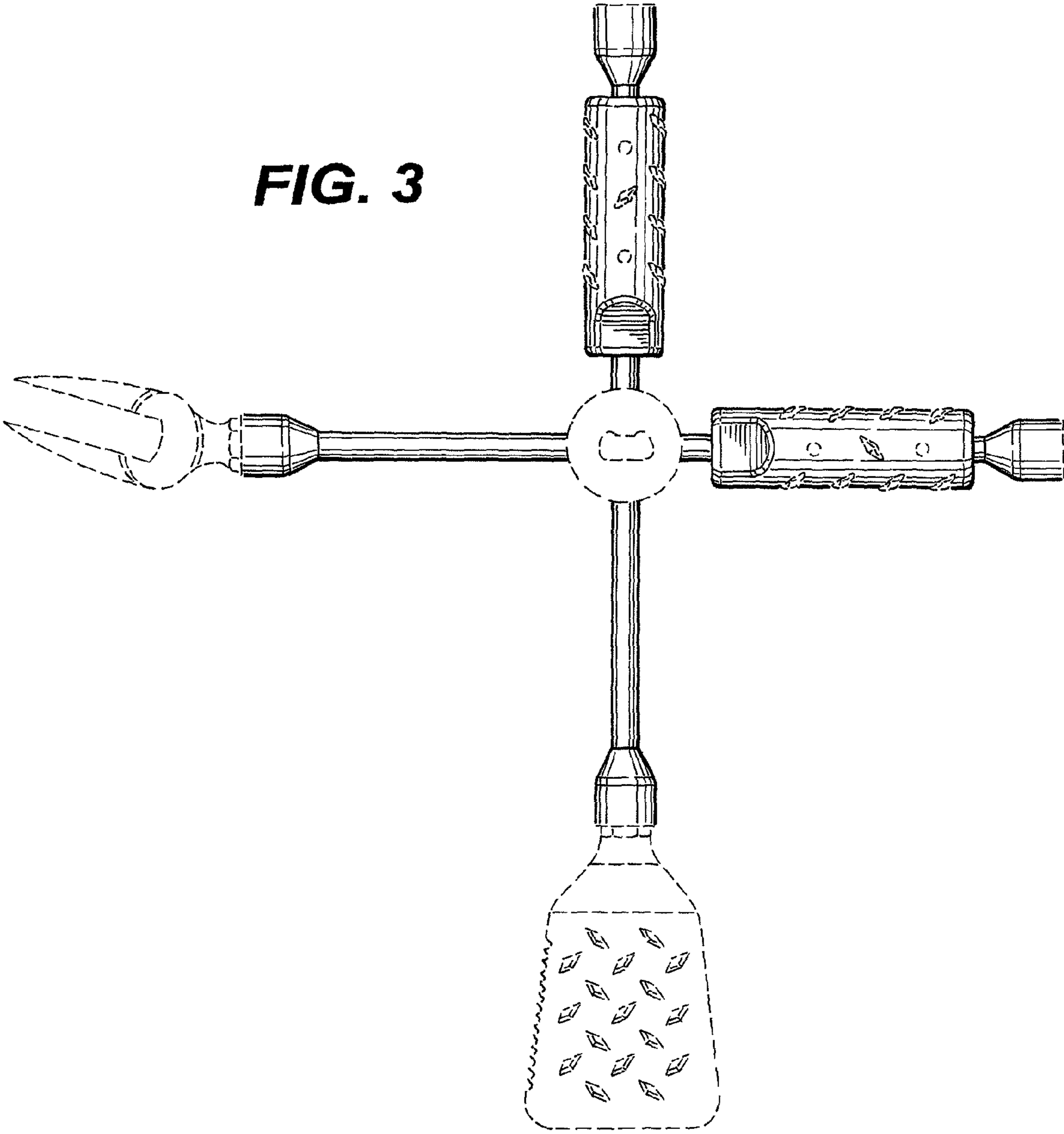


**FIG. 1**

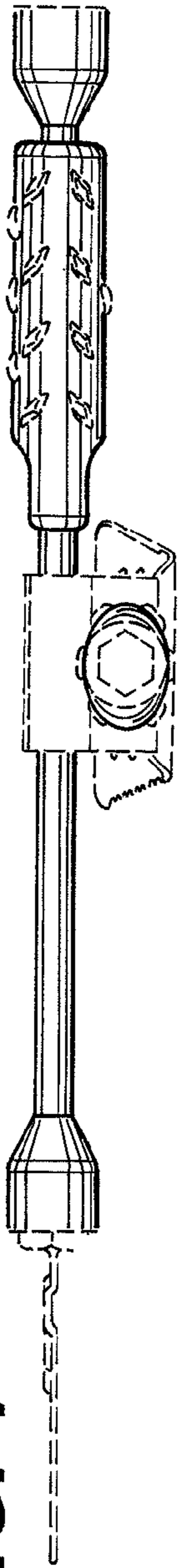
**FIG. 2**



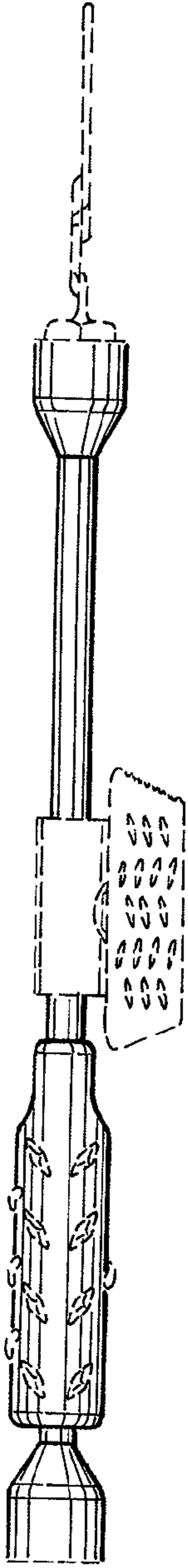
**FIG. 3**



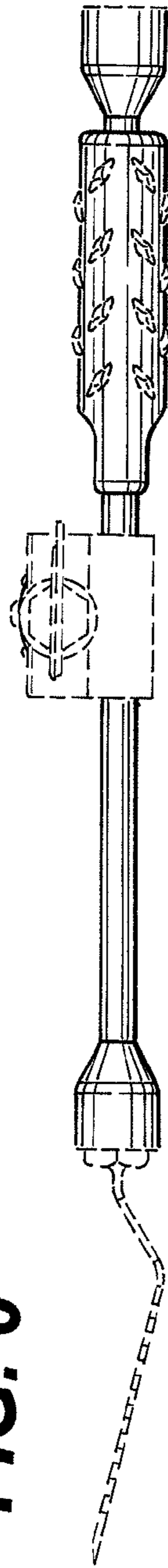
**FIG. 4**



**FIG. 5**



**FIG. 6**



**FIG. 7**

