



US00D626795S

(12) **United States Design Patent**
Hollinger

(10) **Patent No.:** **US D626,795 S**

(45) **Date of Patent:** **** Nov. 9, 2010**

(54) **KNIFE BLADE**

(75) Inventor: **Fred Hollinger**, Monroe, NJ (US)

(73) Assignee: **E. Mishan & Sons, Inc.**, New York, NY (US)

(**) Term: **14 Years**

(21) Appl. No.: **29/366,551**

(22) Filed: **Jul. 27, 2010**

Related U.S. Application Data

(62) Division of application No. 29/363,357, filed on Jun. 8, 2010.

(51) **LOC (9) Cl.** **07-03**

(52) **U.S. Cl.** **D7/650; D7/649**

(58) **Field of Classification Search** D7/368, D7/393-395, 401.2, 642-653, 669, 675-676, D7/688-696; D8/20, 97-99, 102, 107, 300, D8/303, 321; D22/117-118; D24/147; 16/110.1, 16/407, 430, DIG. 18; 30/136, 142-150, 30/329, 340-346, 355

See application file for complete search history.

(56) **References Cited**

U.S. PATENT DOCUMENTS

- 495,110 A * 4/1893 Hayes et. al. 30/355
- D24,386 S * 6/1895 Christy D7/650
- D158,459 S * 5/1950 Gustafson D7/650
- D248,166 S * 6/1978 Kanai D24/147
- D324,326 S * 3/1992 Lu D7/650

- D403,559 S * 1/1999 Terenzio D7/650
- 6,044,566 A * 4/2000 Ries et al. 30/345
- D455,057 S * 4/2002 Medhurst D8/20
- D500,233 S * 12/2004 Overthun D7/650
- D545,637 S * 7/2007 Curtin et al. D7/650
- D554,949 S * 11/2007 Hood D7/650
- D581,733 S * 12/2008 Epstein D7/401.2
- D620,322 S * 7/2010 Hollinger D7/649

* cited by examiner

Primary Examiner—Ricky Pham

(74) *Attorney, Agent, or Firm*—Notaro, Michalos & Zaccaria P.C.

(57) **CLAIM**

The ornamental design for a knife blade, as shown and described.

DESCRIPTION

FIG. 1 is a front right bottom perspective view of a knife blade with the handle shown in phantom line and forming no part of the design;

FIG. 2 is a rear top left perspective view of the embodiment of FIG. 1;

FIG. 3 is a right side elevational view thereof;

FIG. 4 is a left side elevational view thereof;

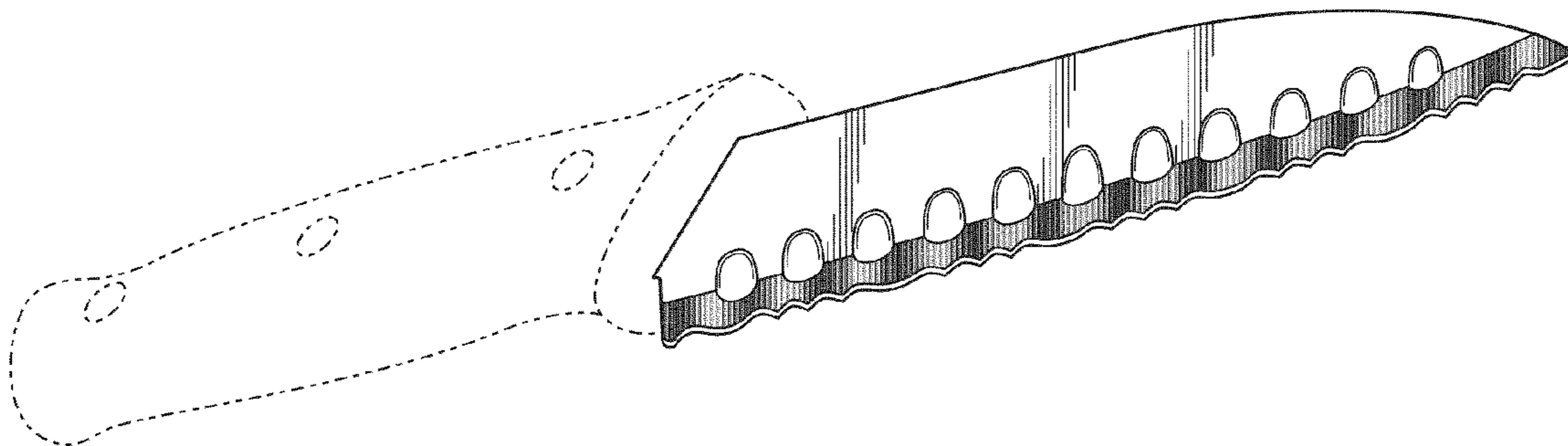
FIG. 5 is a front elevational view thereof;

FIG. 6 is rear elevational view thereof;

FIG. 7 is a top plan view thereof; and,

FIG. 8 is a bottom plan view thereof.

1 Claim, 6 Drawing Sheets



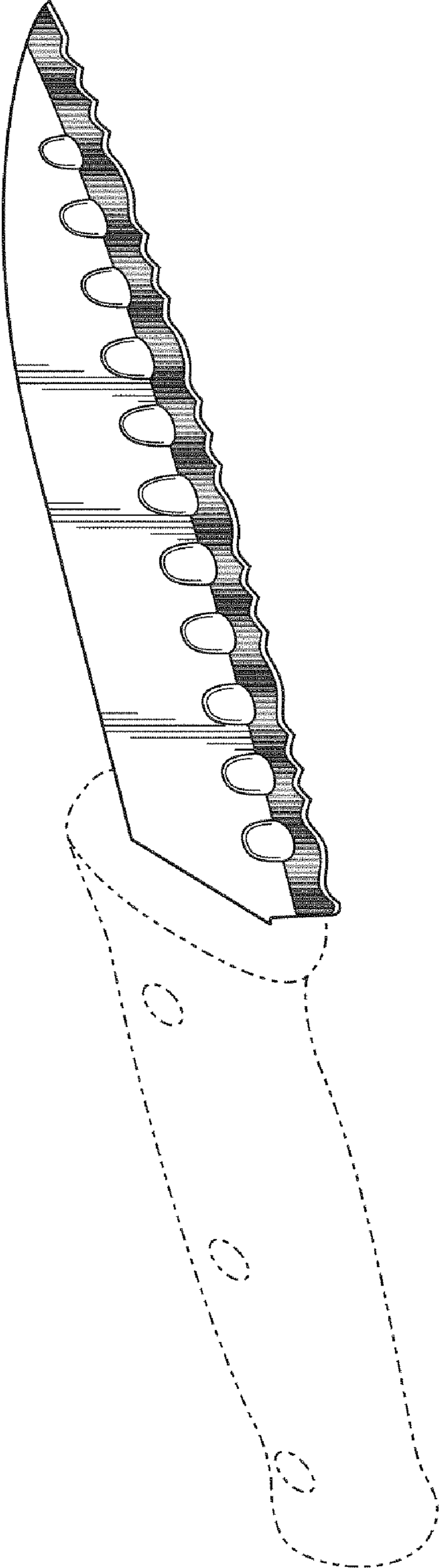


FIG.1

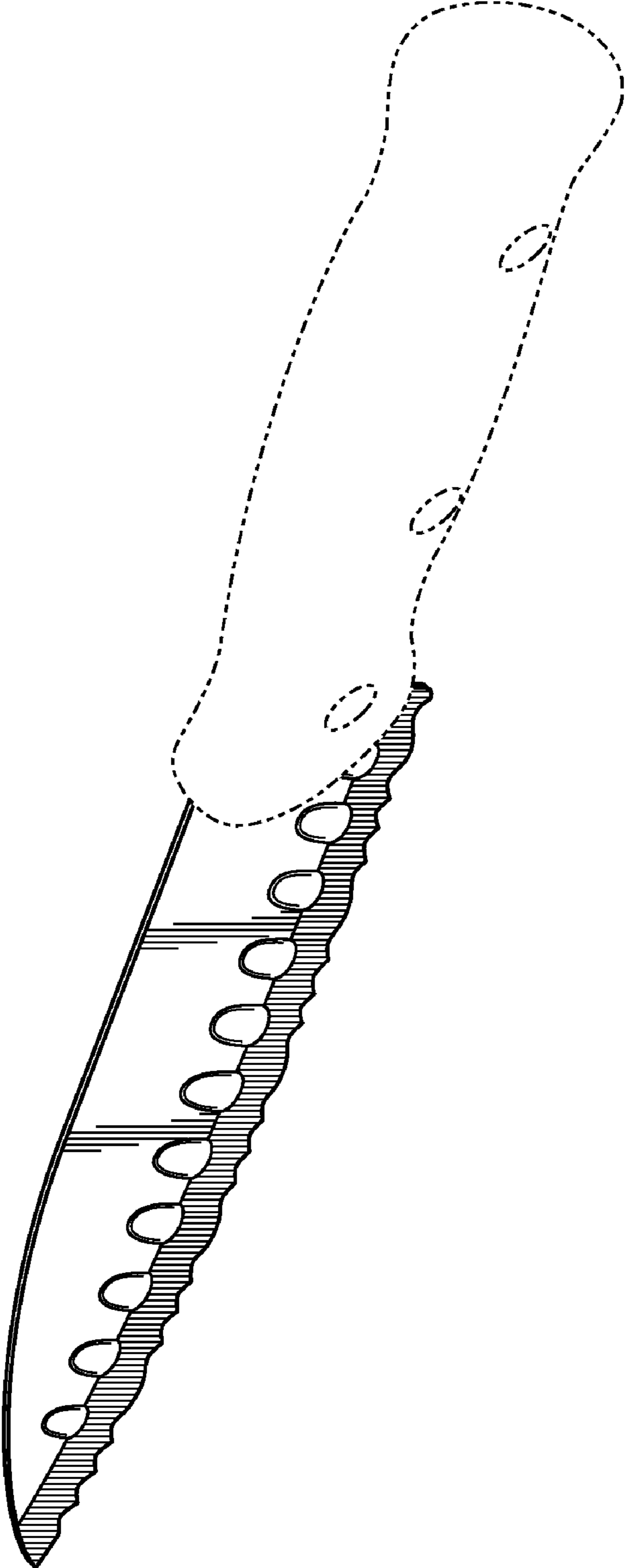


FIG. 2

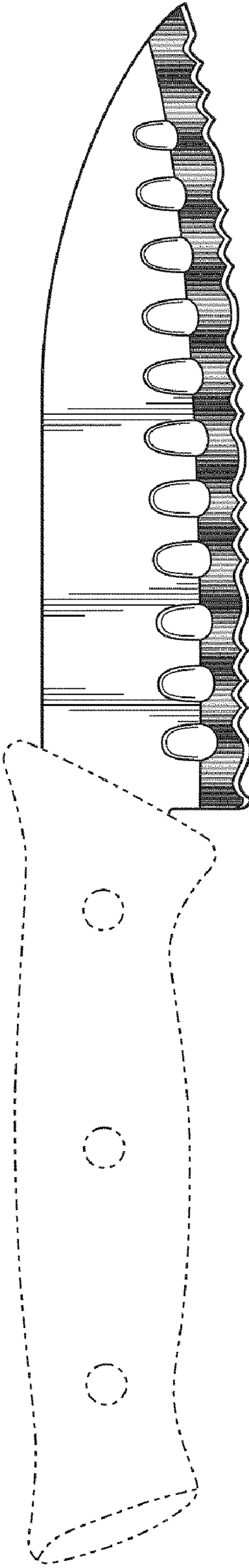


FIG. 3

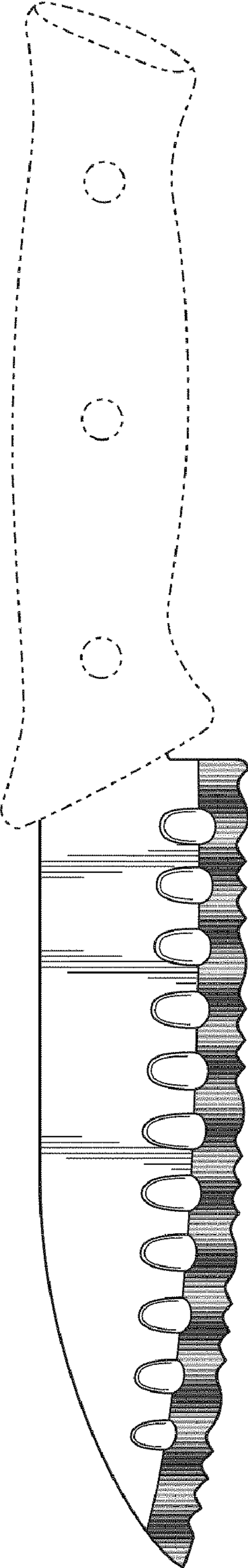


FIG. 4



FIG. 6

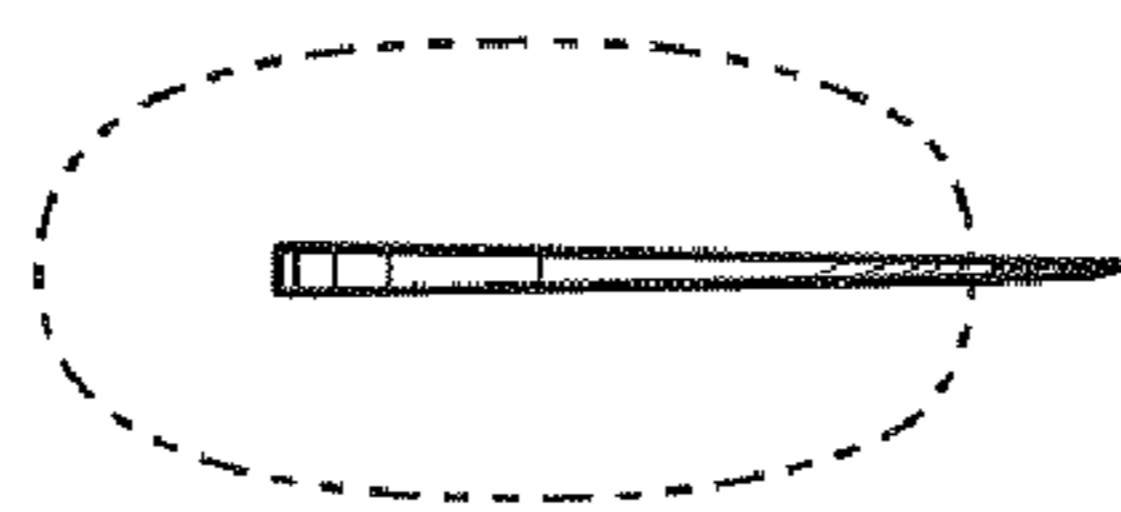


FIG. 5

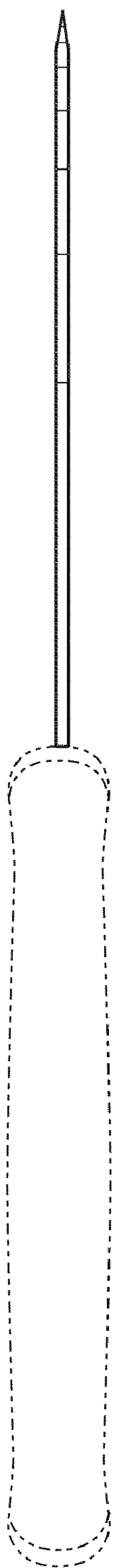


FIG. 7

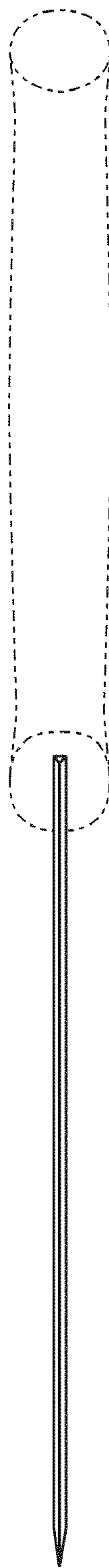


FIG. 8