



US00D626794S

(12) **United States Design Patent**
Hollinger

(10) **Patent No.:** **US D626,794 S**

(45) **Date of Patent:** **** Nov. 9, 2010**

(54) **KNIFE**

(75) Inventor: **Fred Hollinger**, Monroe, NJ (US)

(73) Assignee: **E. Mishan & Sons, Inc.**, New York, NY (US)

(**) Term: **14 Years**

(21) Appl. No.: **29/363,357**

(22) Filed: **Jun. 8, 2010**

(51) **LOC (9) Cl.** **07-03**

(52) **U.S. Cl.** **D7/650; D7/649**

(58) **Field of Classification Search** D7/93-395,
D7/401.2, 642-646, 649-653, 662-664, 688,
D7/693-696; D8/10, 36, 75, 80, 83, 87,
D8/93, 98-99, 102, 107, 300, 303; D22/118;
30/123.5-123.7, 124-128, 142-149, 340-346,
30/353, 355; 76/104.1

See application file for complete search history.

(56) **References Cited**

U.S. PATENT DOCUMENTS

D182,293 S * 3/1958 Iamb D7/649
4,470,327 A * 9/1984 Gerber et al. 76/104.1
D287,042 S * 12/1986 Hoffman D22/118
D324,326 S * 3/1992 Lu D7/650

D424,380 S * 5/2000 McCatty D7/649
6,560,877 B2 * 5/2003 Sanelli 30/340
D558,851 S * 1/2008 Onion D22/118
D564,305 S * 3/2008 Chisholm D7/649
D577,551 S * 9/2008 Chisholm D7/649

* cited by examiner

Primary Examiner—Ricky Pham

(74) *Attorney, Agent, or Firm*—Notaro, Michalos & Zaccaria P.C.

(57) **CLAIM**

The ornamental design for a knife, as shown and described.

DESCRIPTION

FIG. 1 is a front right bottom perspective view of a knife showing my new design;

FIG. 2 is a rear top left perspective view thereof;

FIG. 3 is a right side elevational view thereof;

FIG. 4 is a left side elevational view thereof;

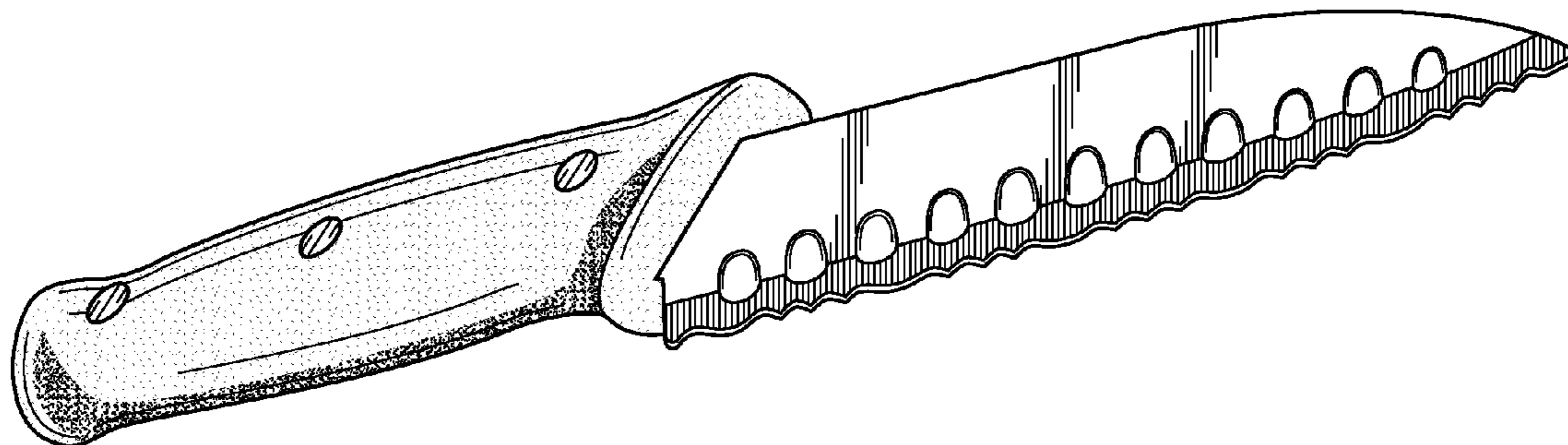
FIG. 5 is a front elevational view thereof;

FIG. 6 is a rear elevational view thereof;

FIG. 7 is a top plan view thereof; and,

FIG. 8 is a bottom plan view thereof.

1 Claim, 6 Drawing Sheets



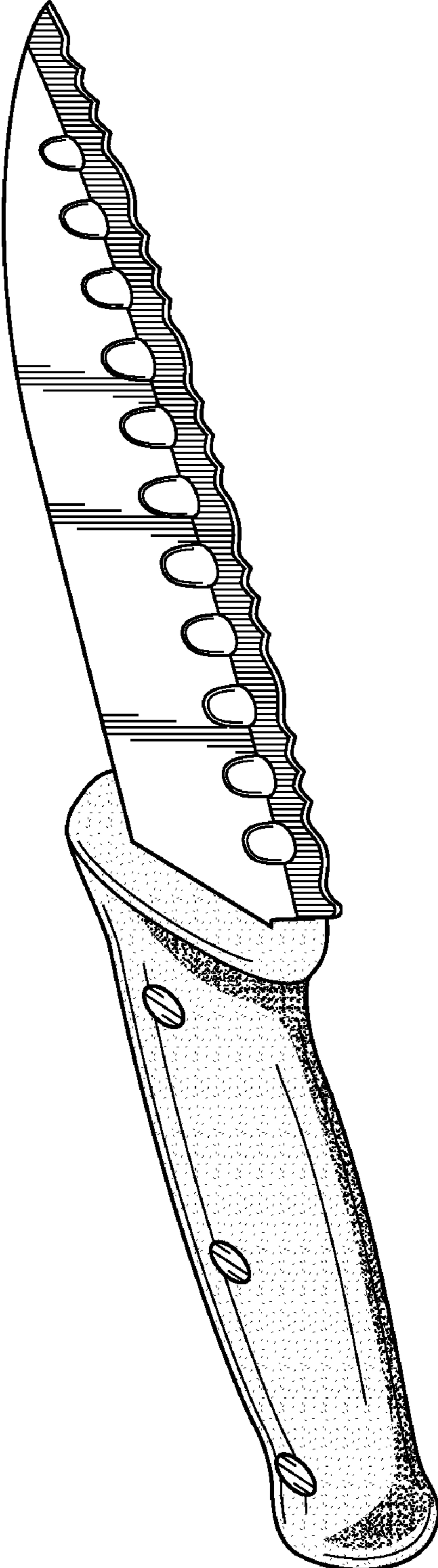


FIG. 1

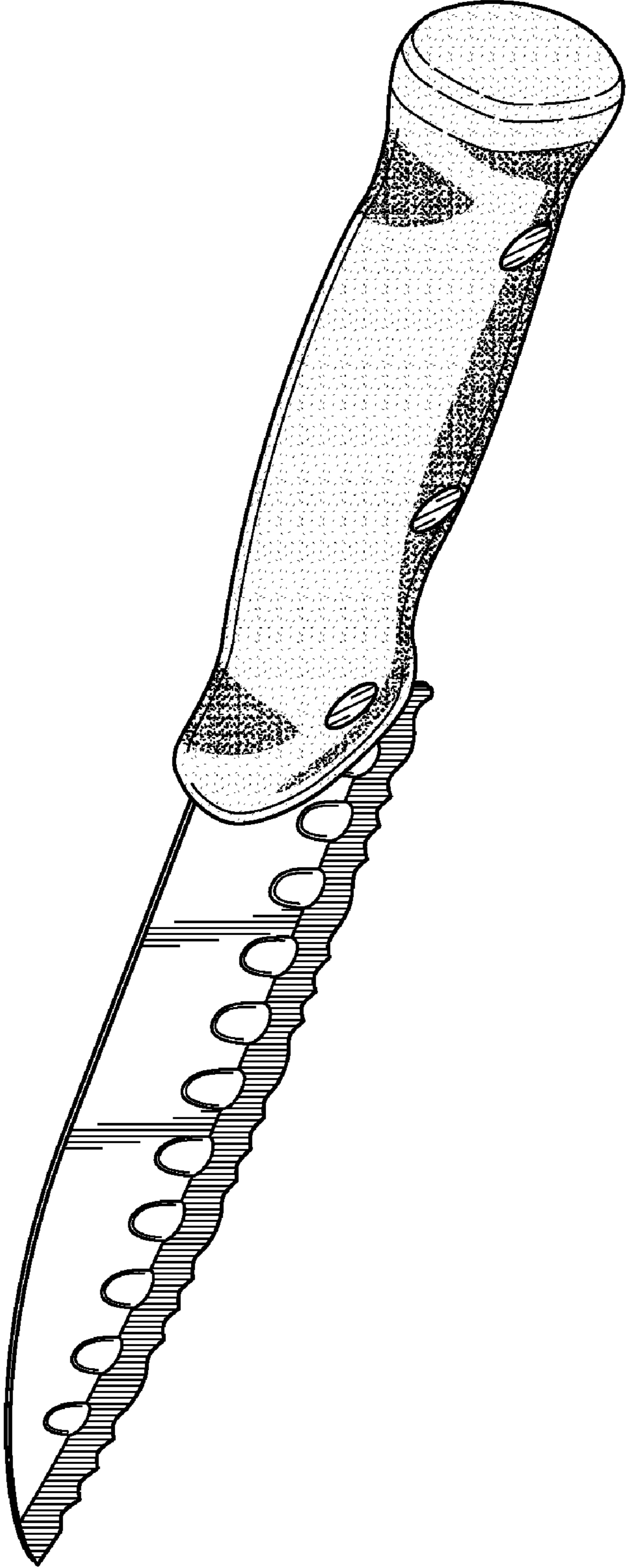


FIG. 2

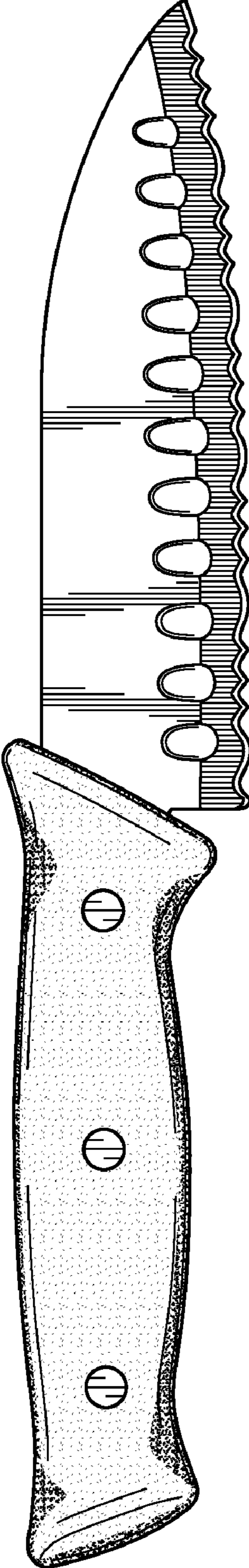


FIG. 3

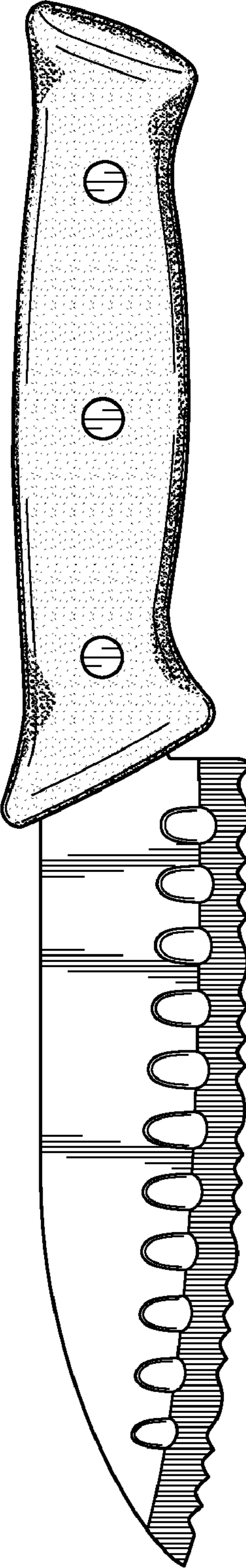


FIG. 4

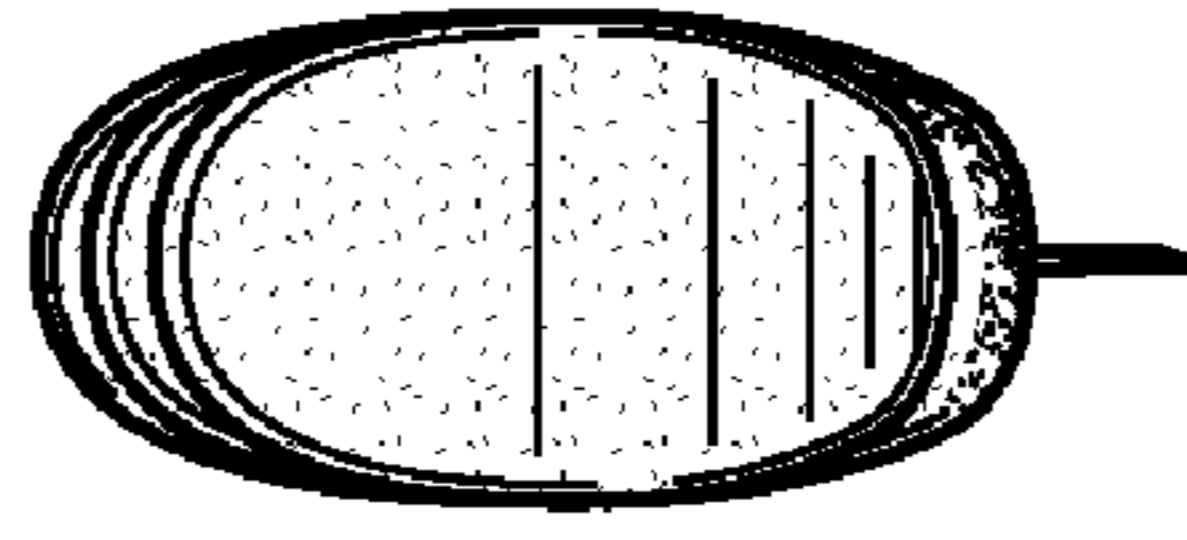


FIG. 6

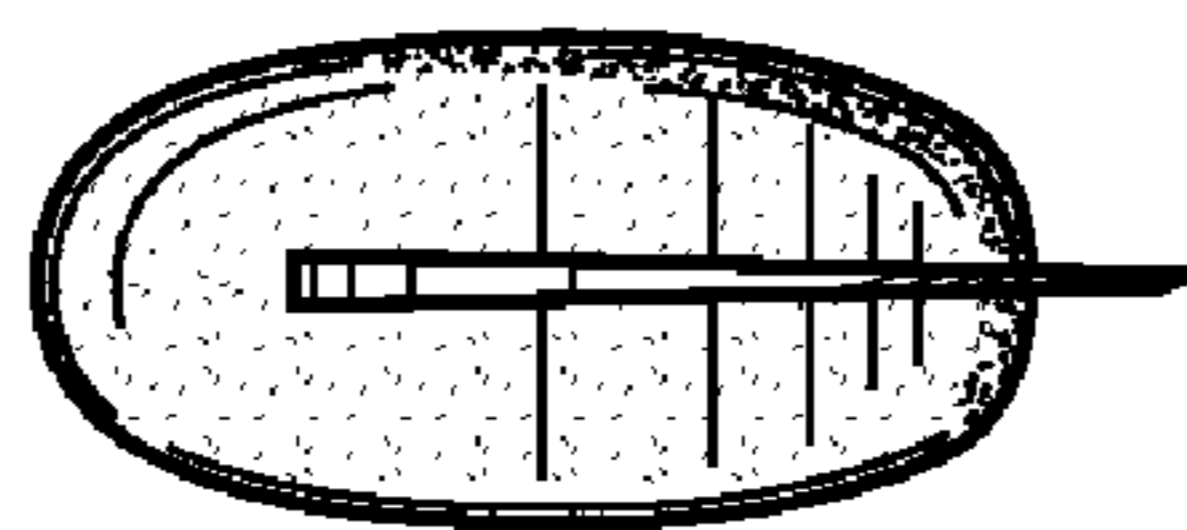


FIG. 5

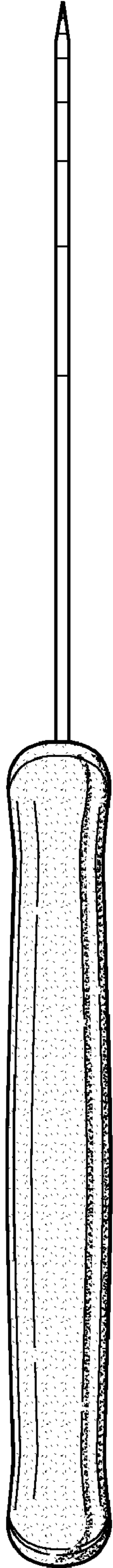


FIG. 7

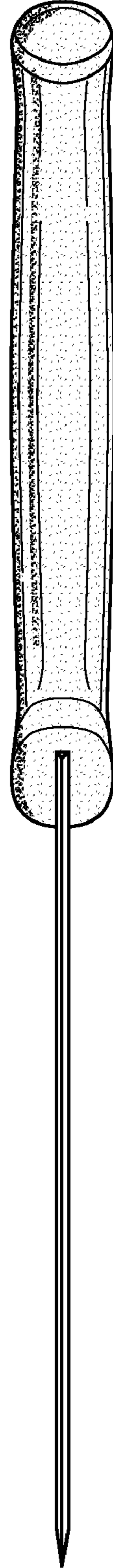


FIG. 8