



US00D626788S

(12) **United States Design Patent**
Clark

(10) **Patent No.:** **US D626,788 S**

(45) **Date of Patent:** **** *Nov. 9, 2010**

(54) **PLATE WITH HOLDER FOR BEVERAGE
AND HANDLES**

(76) Inventor: **Ronald Clark**, 1205 Fetzer La., Oakley,
CA (US) 94561-6011

(*) Notice: This patent is subject to a terminal dis-
claimer.

(**) Term: **14 Years**

(21) Appl. No.: **29/314,824**

(22) Filed: **Apr. 30, 2009**

(51) **LOC (9) Cl.** **07-01**

(52) **U.S. Cl.** **D7/549; D7/545**

(58) **Field of Classification Search** D7/543,
D7/545, 546, 549, 550.1, 553.6, 554.1, 584,
D7/586, 587; 206/507, 557, 561-564, 565;
229/407; 220/574, 659, 23.83; D9/457,
D9/759; 294/172

See application file for complete search history.

(56) **References Cited**

U.S. PATENT DOCUMENTS

D173,612 S *	12/1954	Forsman	D7/549
4,516,685 A *	5/1985	French	220/23.83
4,744,597 A *	5/1988	Bauman et al.	294/172
4,966,297 A *	10/1990	Doty	220/23.83
D326,588 S *	6/1992	Meisel	D7/549
D368,627 S *	4/1996	McSpadden	D7/549
D376,295 S *	12/1996	Ahern et al.	D7/549

D378,180 S *	2/1997	Hayes et al.	D7/554.1
D386,048 S *	11/1997	Bebawey	D7/549
D388,661 S *	1/1998	Vignau et al.	D7/549
D410,820 S *	6/1999	Lofrano	D7/549
D429,605 S *	8/2000	Maniaci	D7/549
D429,962 S *	8/2000	Maniaci	D7/549
D429,963 S *	8/2000	Maniaci	D7/549
D443,181 S *	6/2001	Miller	D7/587
D506,357 S *	6/2005	Price	D7/553.6

* cited by examiner

Primary Examiner—Charles A Rademaker

(74) *Attorney, Agent, or Firm*—Harris Zimmerman; Howard
Cohen

(57) **CLAIM**

The ornamental design for a plate with holder for beverage
and handles, as shown and described.

DESCRIPTION

FIG. 1 is a top perspective view of a plate with holder for
beverage and handles showing my new design.

FIG. 2 is a top plan view.

FIG. 3 is a front view.

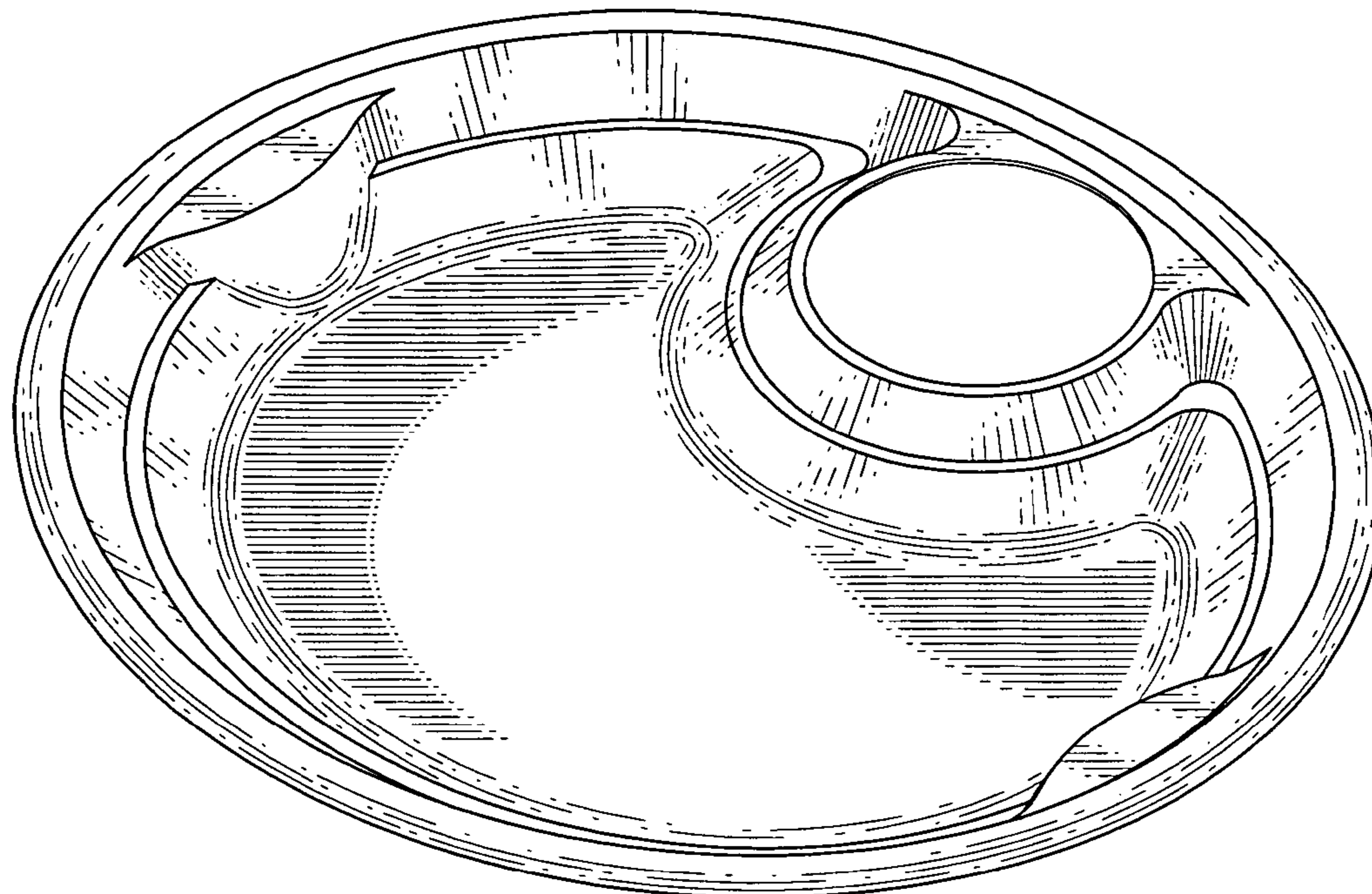
FIG. 4 is a right side view.

FIG. 5 is a left side view.

FIG. 6 is a rear view; and,

FIG. 7 is a bottom view.

1 Claim, 2 Drawing Sheets



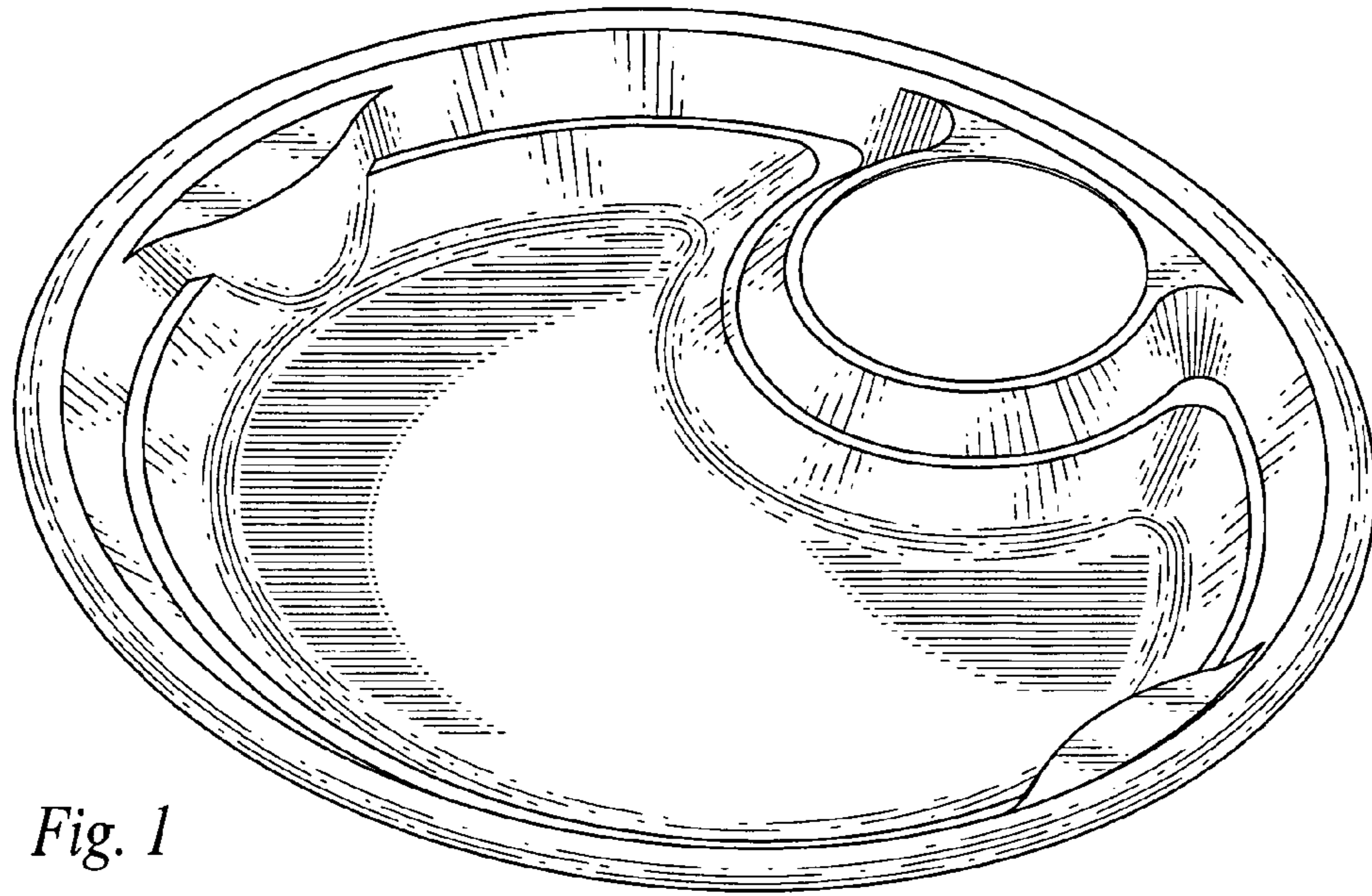


Fig. 1

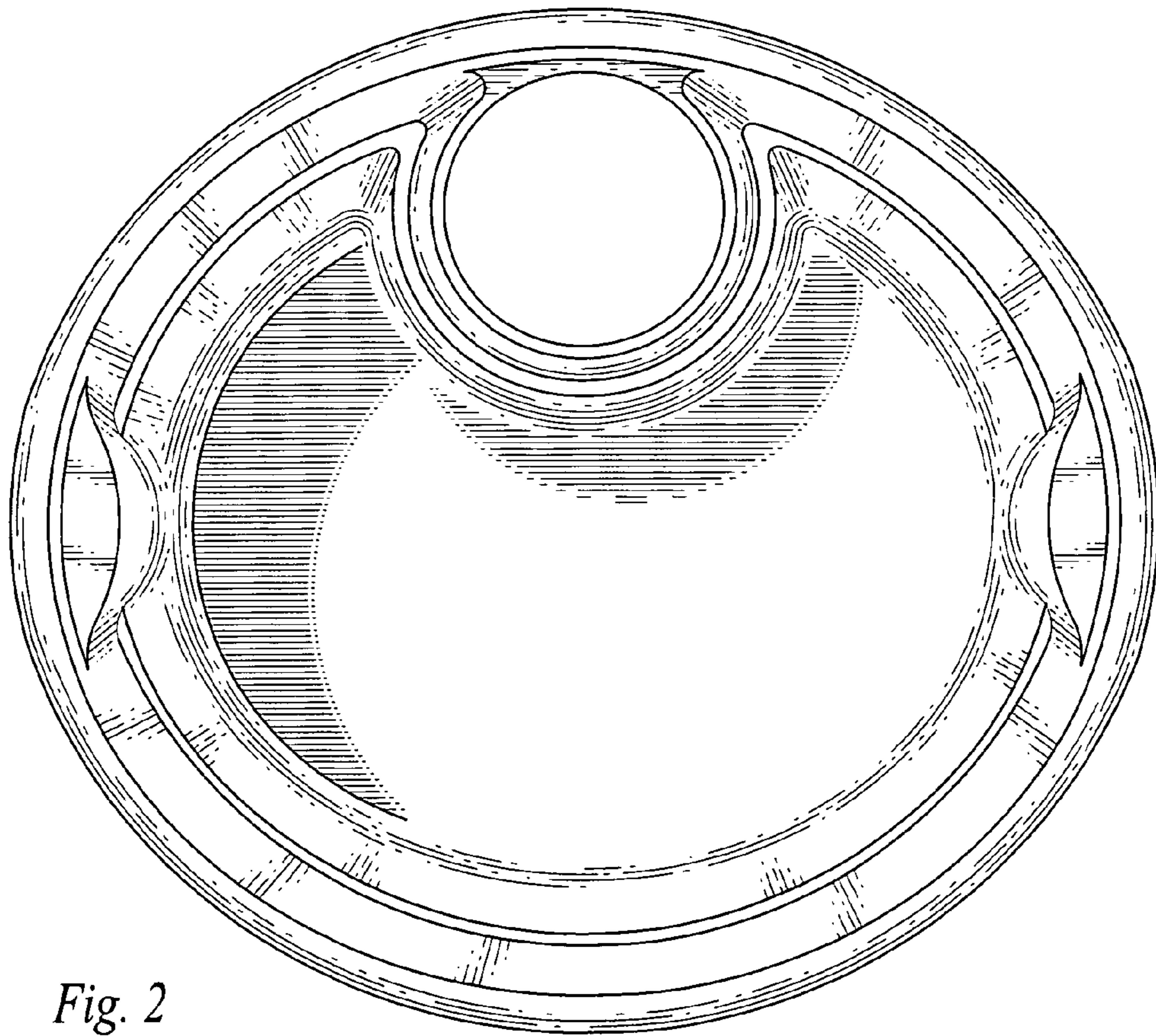


Fig. 2

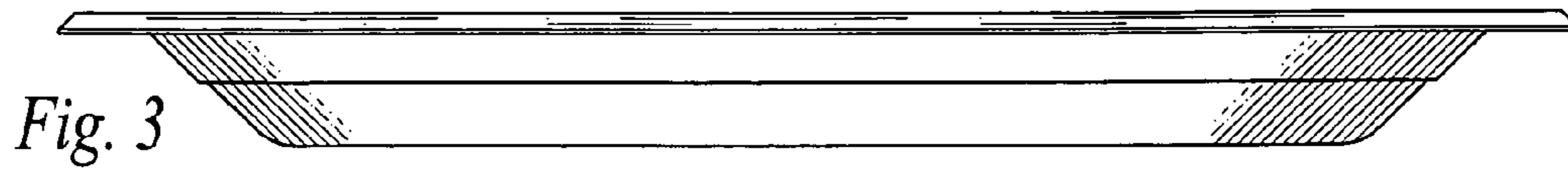


Fig. 3

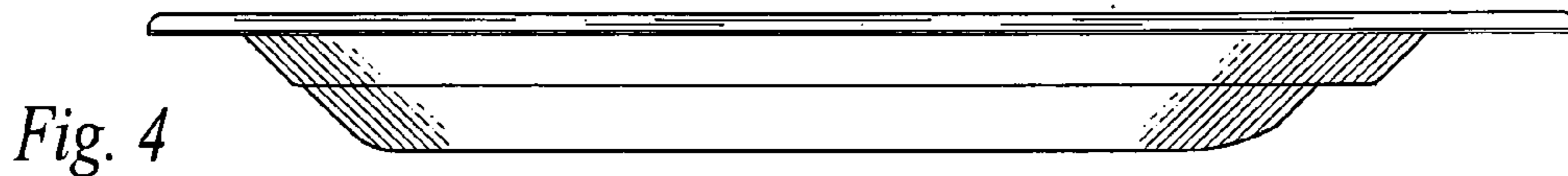


Fig. 4

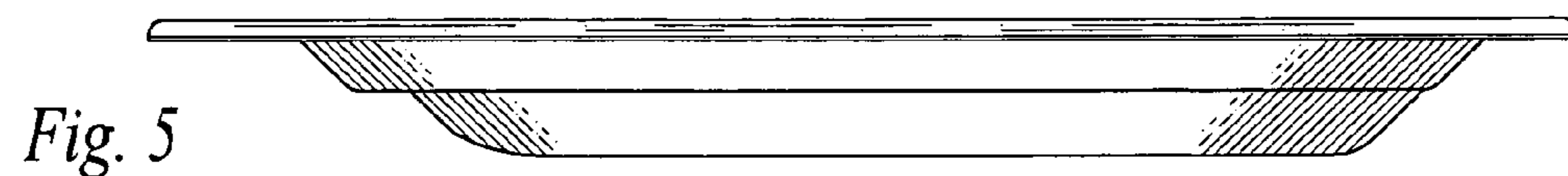


Fig. 5

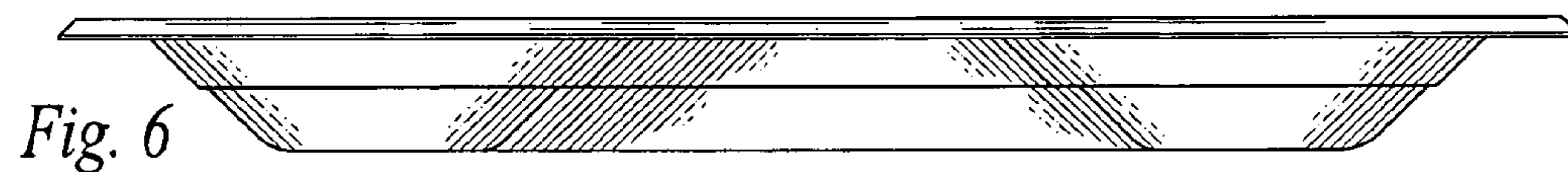


Fig. 6

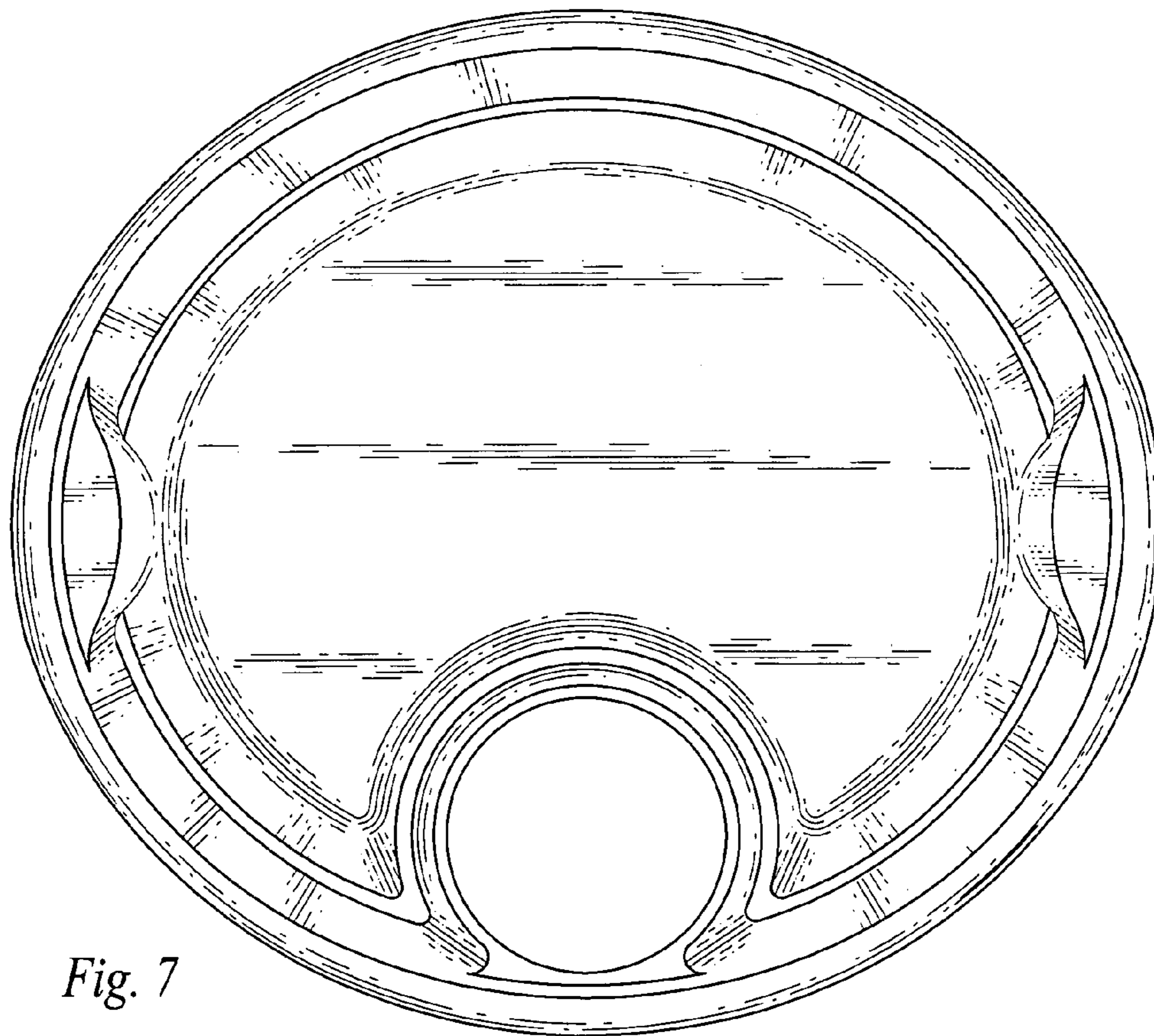


Fig. 7