



US00D626784S

(12) **United States Design Patent**
Xie

(10) **Patent No.:** **US D626,784 S**

(45) **Date of Patent:** **** Nov. 9, 2010**

(54) **PRESSURE COOKER**

Primary Examiner—Caron Veynar
Assistant Examiner—Ricky Pham

(75) Inventor: **Junxiong Xie**, Guangdong Province (CN)

(57) **CLAIM**

(73) Assignee: **Guangdong Shunfa Hardware Products Co., Ltd.**, Guangdong Province (CN)

The ornamental design for a pressure cooker, as shown and described.

(**) Term: **14 Years**

DESCRIPTION

(21) Appl. No.: **29/354,813**

FIG. 1 is a front elevational view of a pressure cooker showing my new design covered with a lid and with a colander received therein;

(22) Filed: **Jan. 28, 2010**

FIG. 2 is a rear elevational view thereof;

(51) **LOC (9) Cl.** **07-02**

FIG. 3 is a left side view thereof;

(52) **U.S. Cl.** **D7/360; D7/358**

FIG. 4 is a right side view thereof;

(58) **Field of Classification Search** D7/323, D7/330–331, 337, 339, 347, 350–367, 378–384, D7/391–395, 402, 542–545, 560; 99/324–325, 99/329 R, 330–339, 372, 375, 400, 412–413, 99/425; 219/432–433, 438–441, 620–622, 219/725–730; 220/203.1, 203.07, 203.09, 220/298, 303, 316, 356.1, 377, 573.1–574, 220/769, 912; 426/438, 441

FIG. 5 is a top plan view thereof;

FIG. 6 is a bottom plan view thereof;

FIG. 7 is a cross-sectional view taken through line 7–7 of FIG. 1;

FIG. 8 is a front elevational view of the pressure cooker as shown in FIG. 1 covered with an alternative embodiment of lid and the colander removed;

See application file for complete search history.

FIG. 9 is a rear elevational view thereof;

(56) **References Cited**

FIG. 10 is a left side view thereof;

U.S. PATENT DOCUMENTS

FIG. 11 is a right side view thereof;

D345,886 S *	4/1994	Gingele	D7/360
D370,381 S *	6/1996	Roussard	D7/358
D413,483 S *	9/1999	Roussard	D7/358
6,263,787 B1 *	7/2001	Tseng et al.	99/413
D448,965 S *	10/2001	Jang-Won	D7/360
D476,191 S *	6/2003	Josancy	D7/358
D486,352 S *	2/2004	Park	D7/358
D487,212 S *	3/2004	Park	D7/360
D491,011 S *	6/2004	Park	D7/358
D549,517 S *	8/2007	Moran	D7/358
D581,206 S *	11/2008	Roussard	D7/358
D607,267 S *	1/2010	Molayem	D7/358
D610,393 S *	2/2010	Josancy	D7/358

FIG. 12 is a top plan view thereof;

FIG. 13 is a bottom plan view thereof;

FIG. 14 is a front elevation view of the colander received in the pressure cooker as shown in FIG. 1;

FIG. 15 is a rear elevational view thereof;

FIG. 16 is a left side view thereof;

FIG. 17 is a right side view thereof;

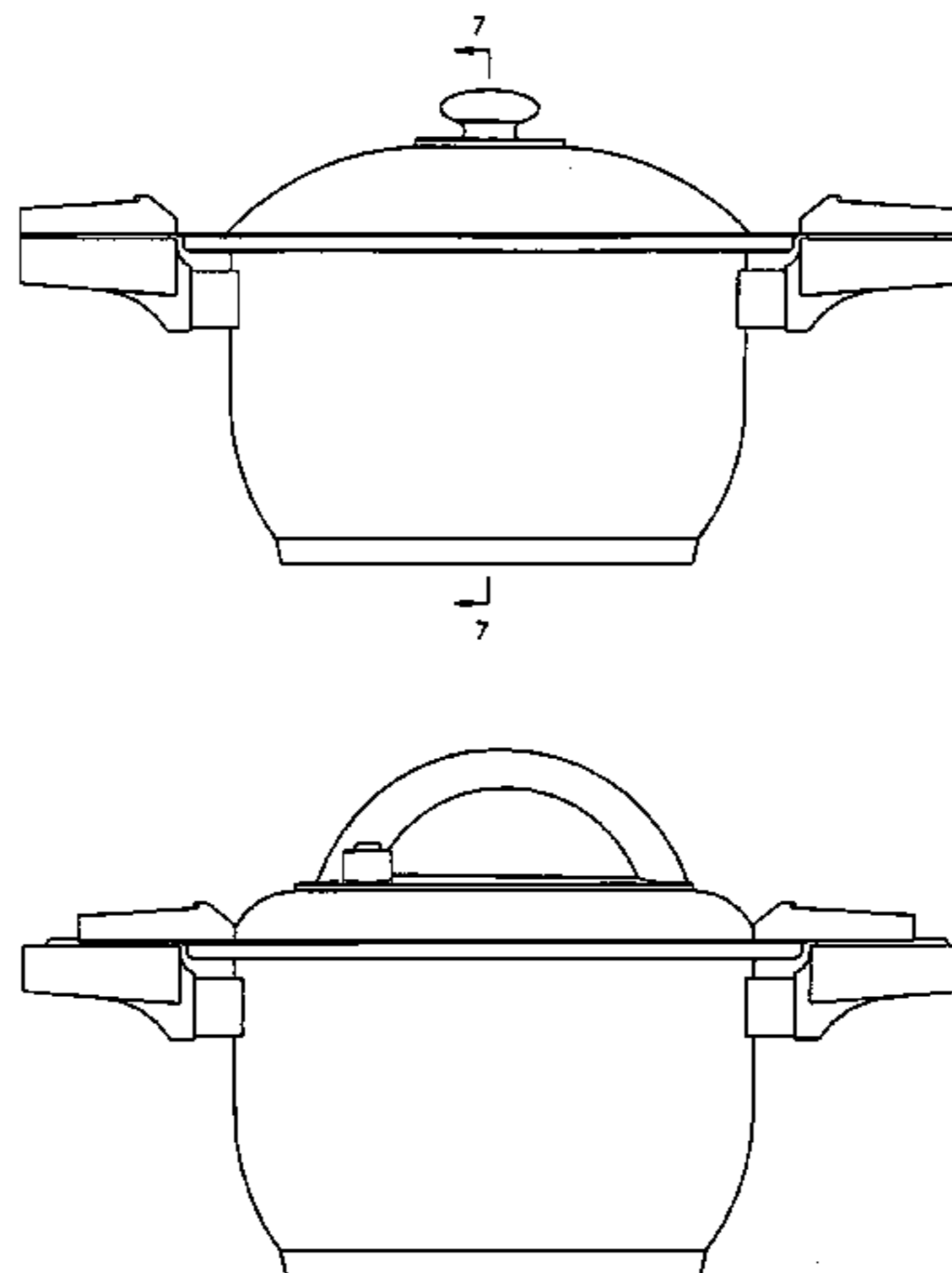
FIG. 18 is a top plan view thereof;

FIG. 19 is a bottom plan view thereof; and,

FIG. 20 is a cross-sectional view taken through line 20–20 of FIG. 18.

* cited by examiner

1 Claim, 14 Drawing Sheets



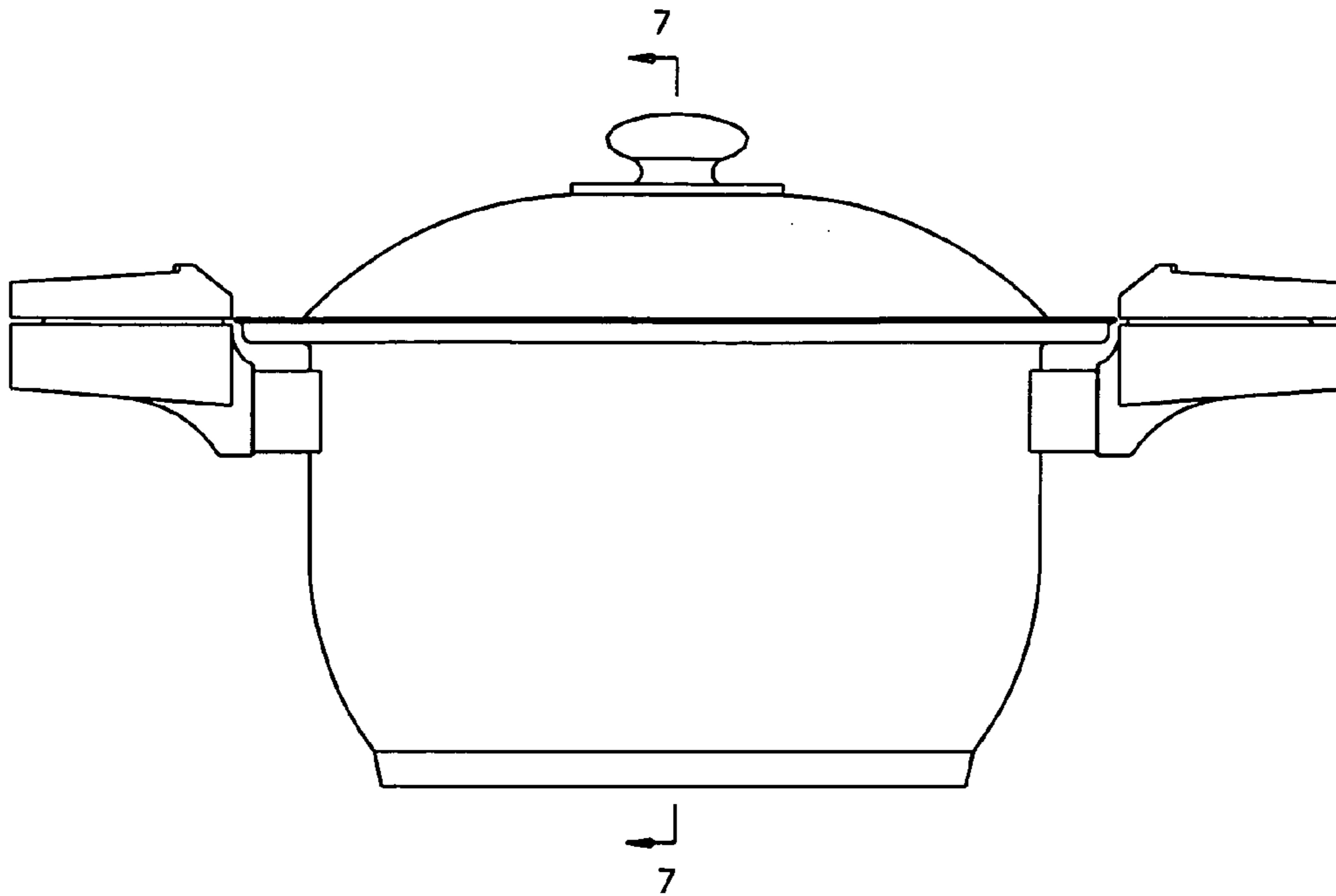


FIG. 1

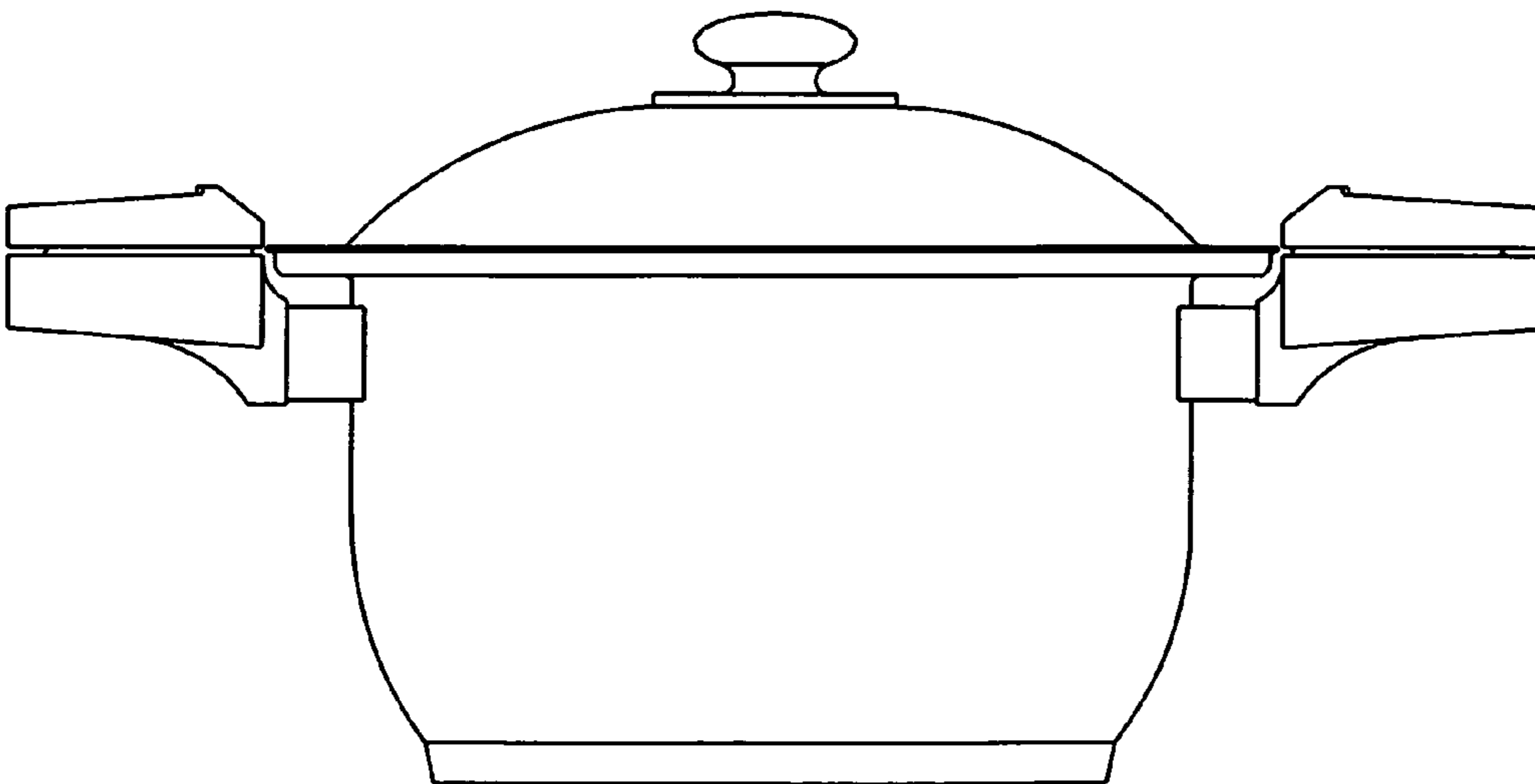


FIG. 2

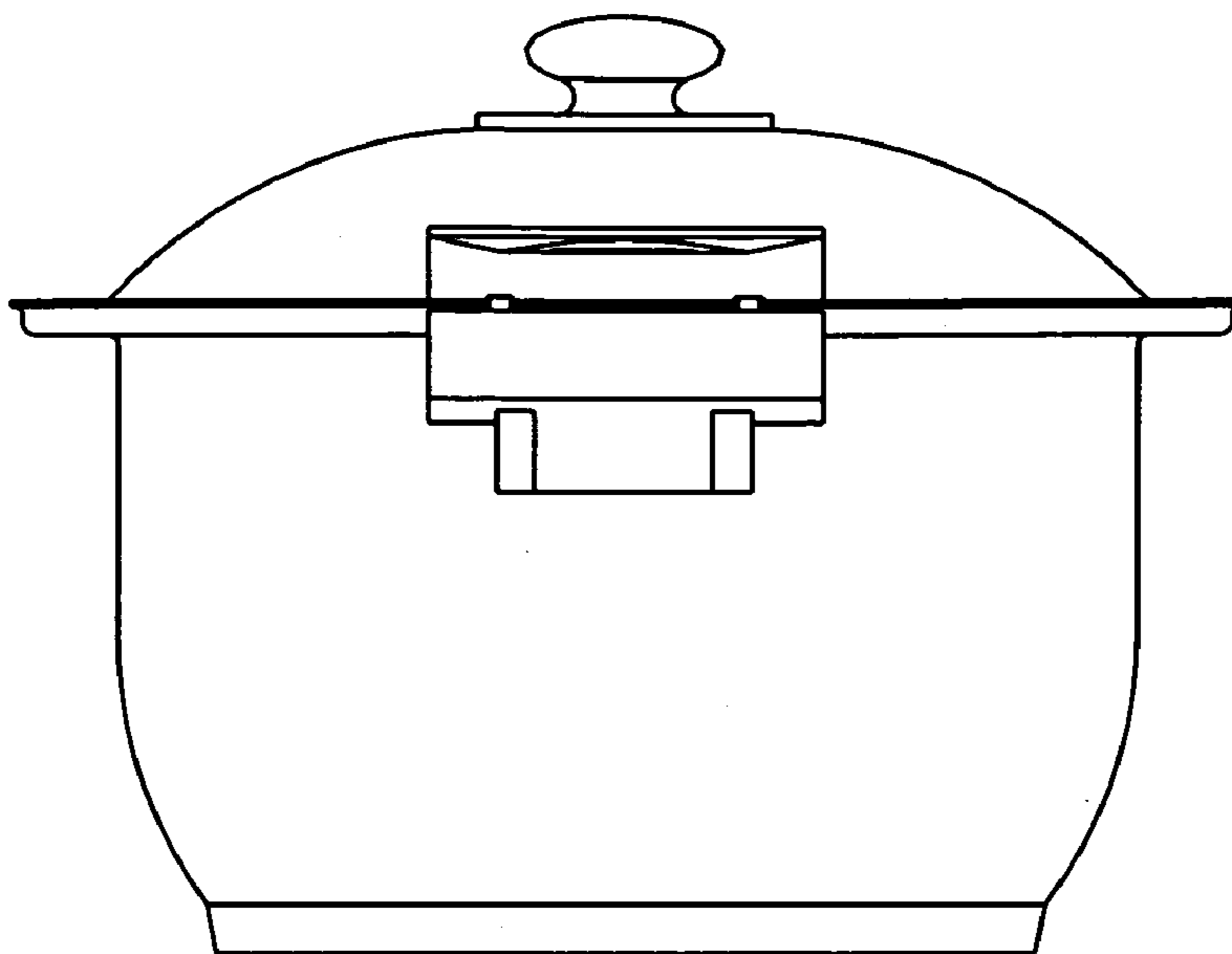


FIG. 3

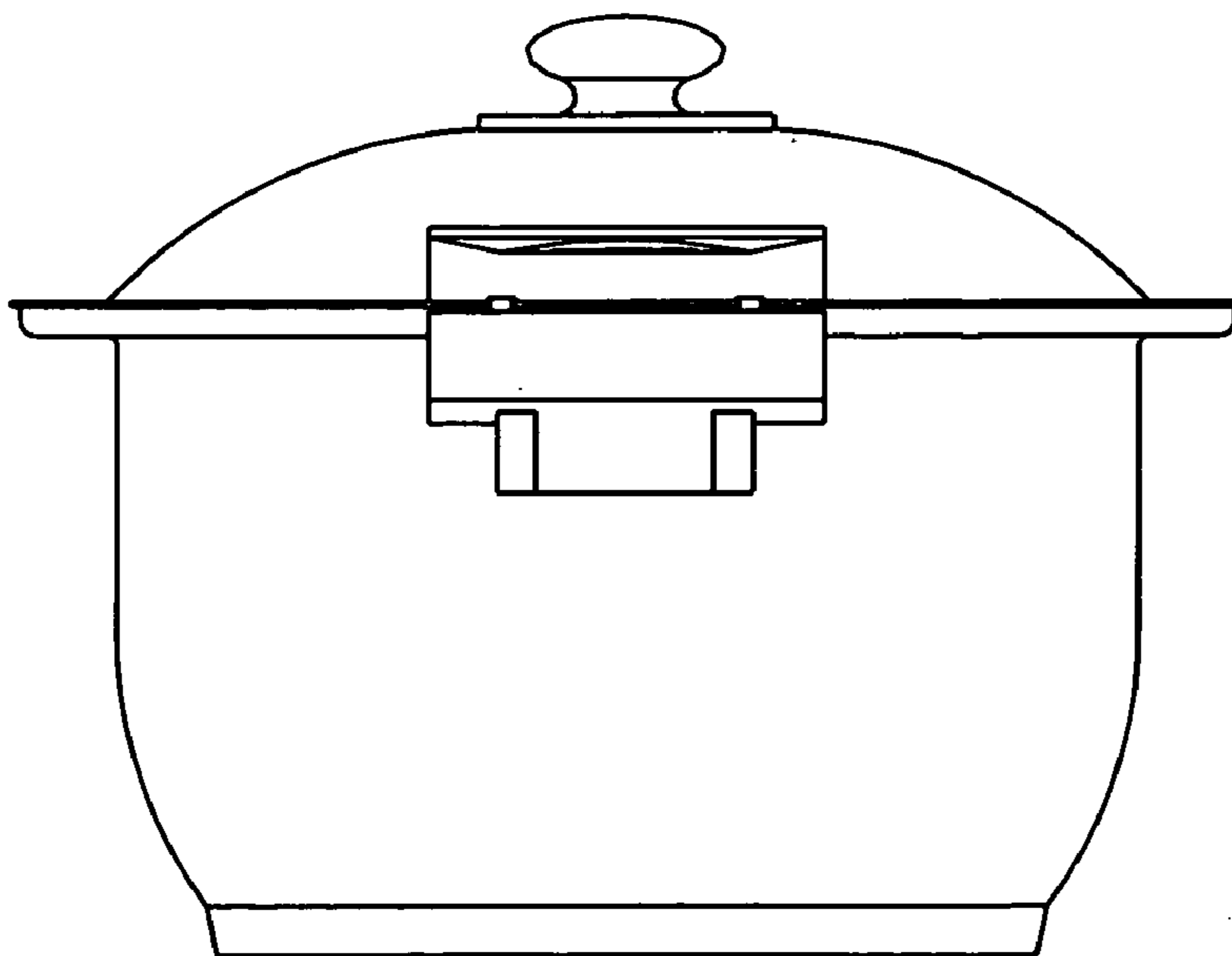


FIG. 4

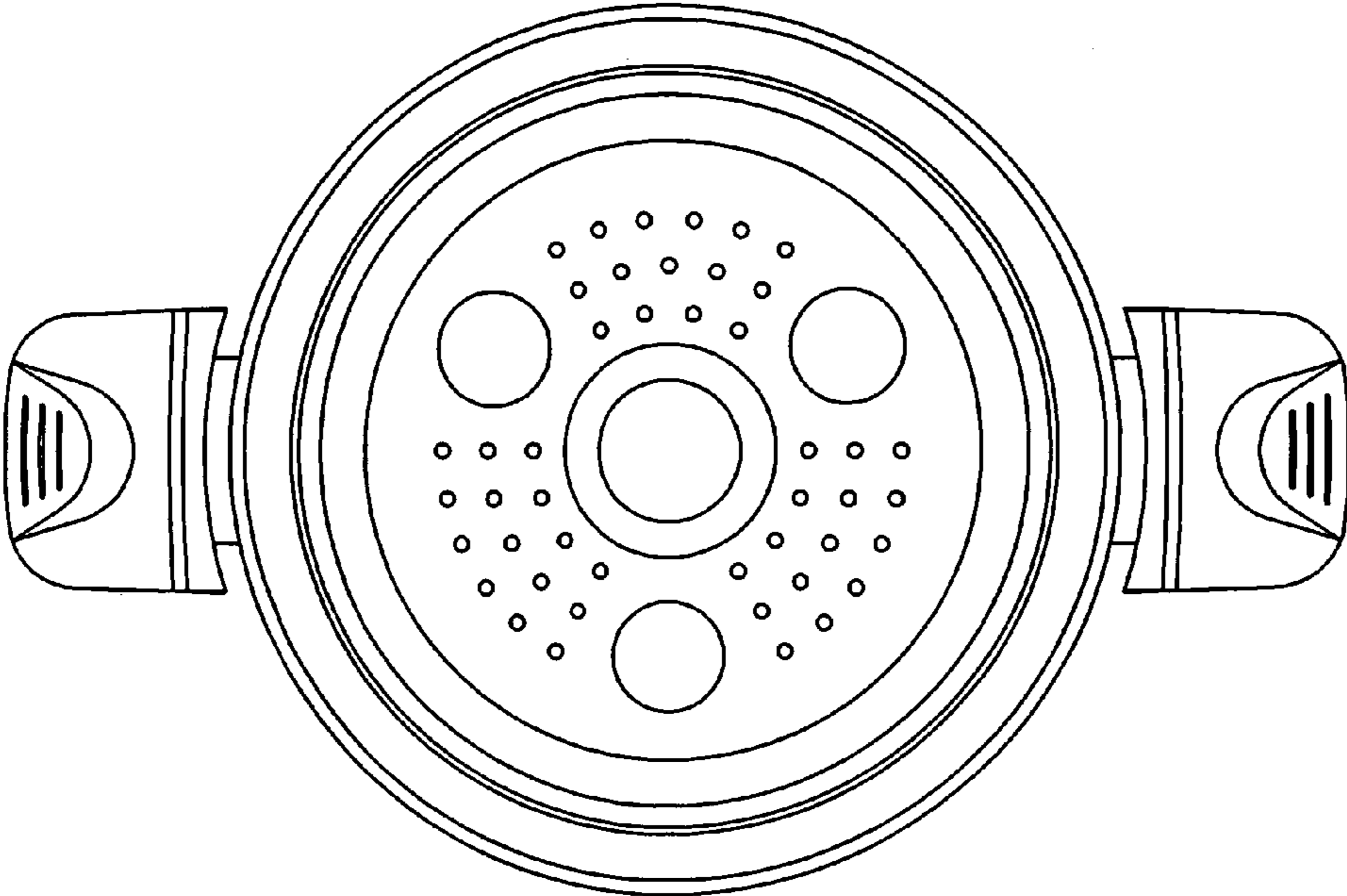


FIG. 5

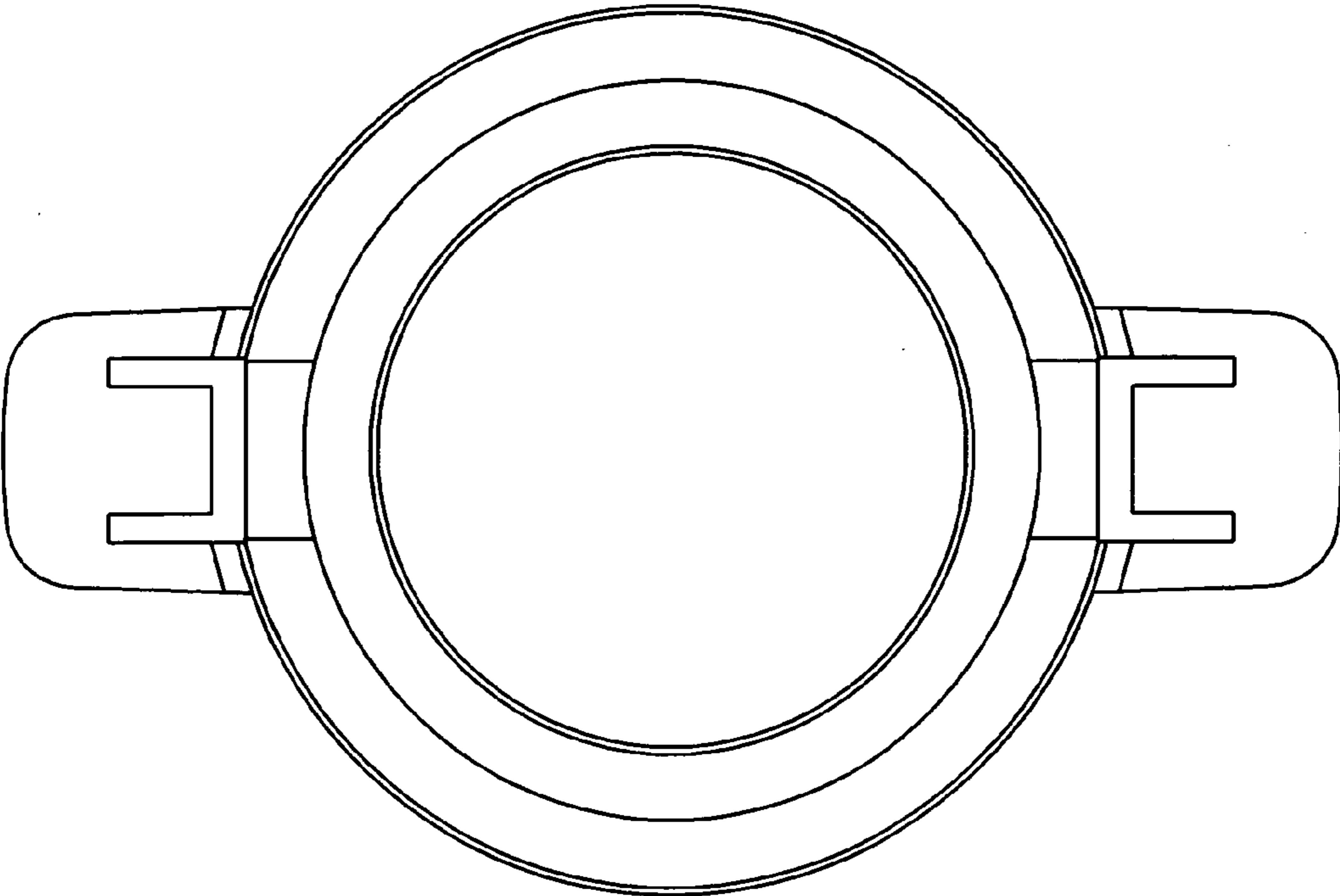


FIG. 6

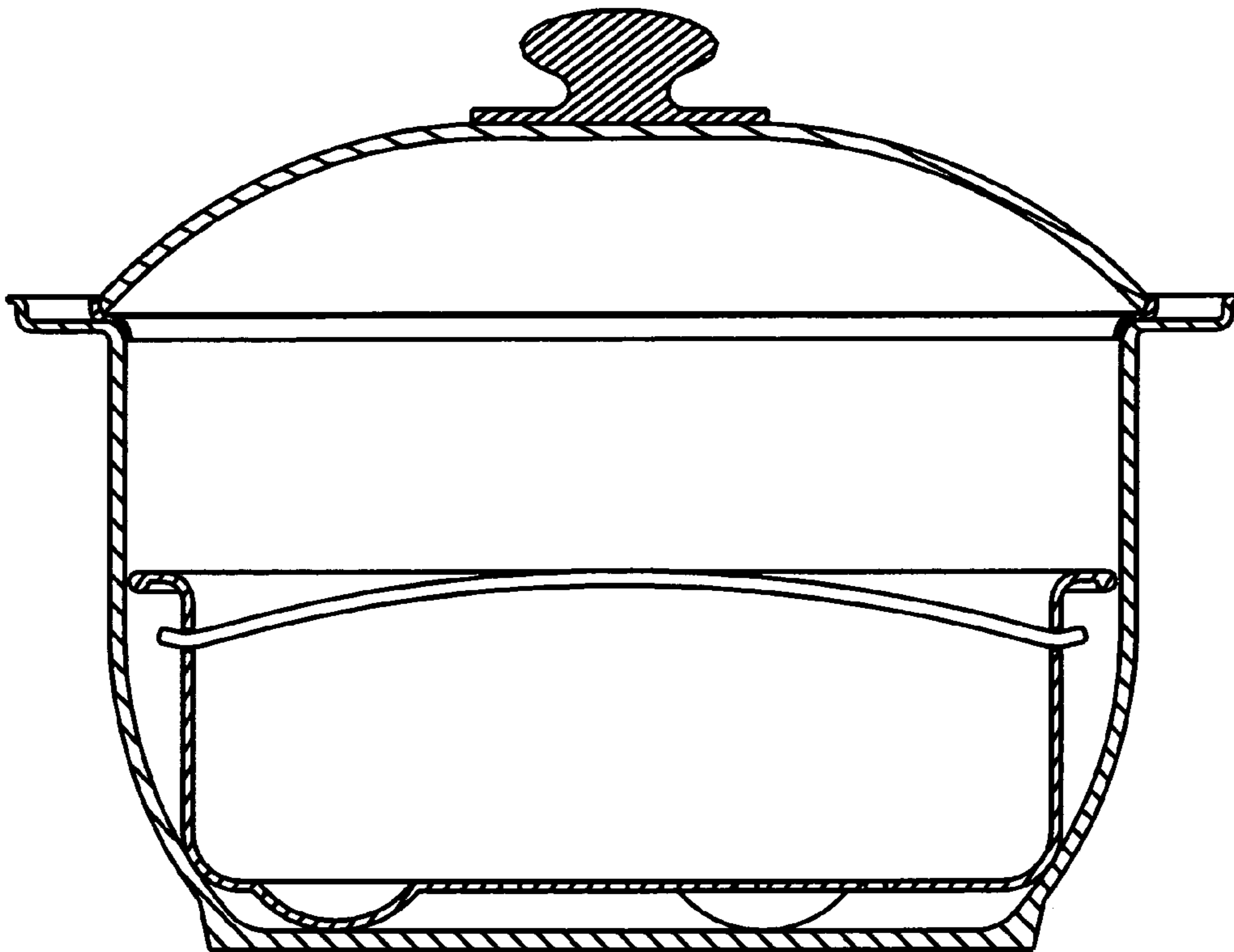


FIG. 7

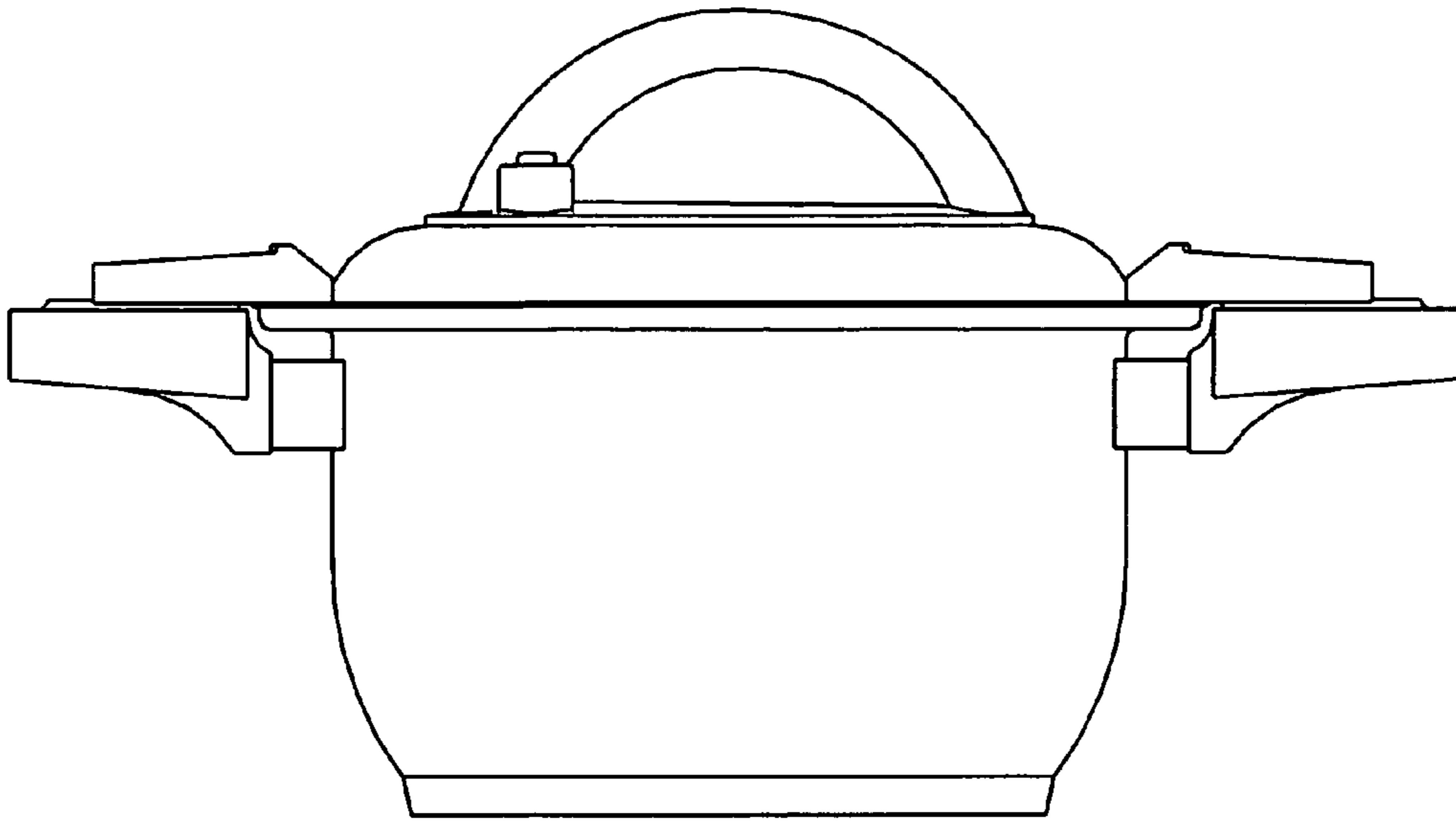


FIG. 8

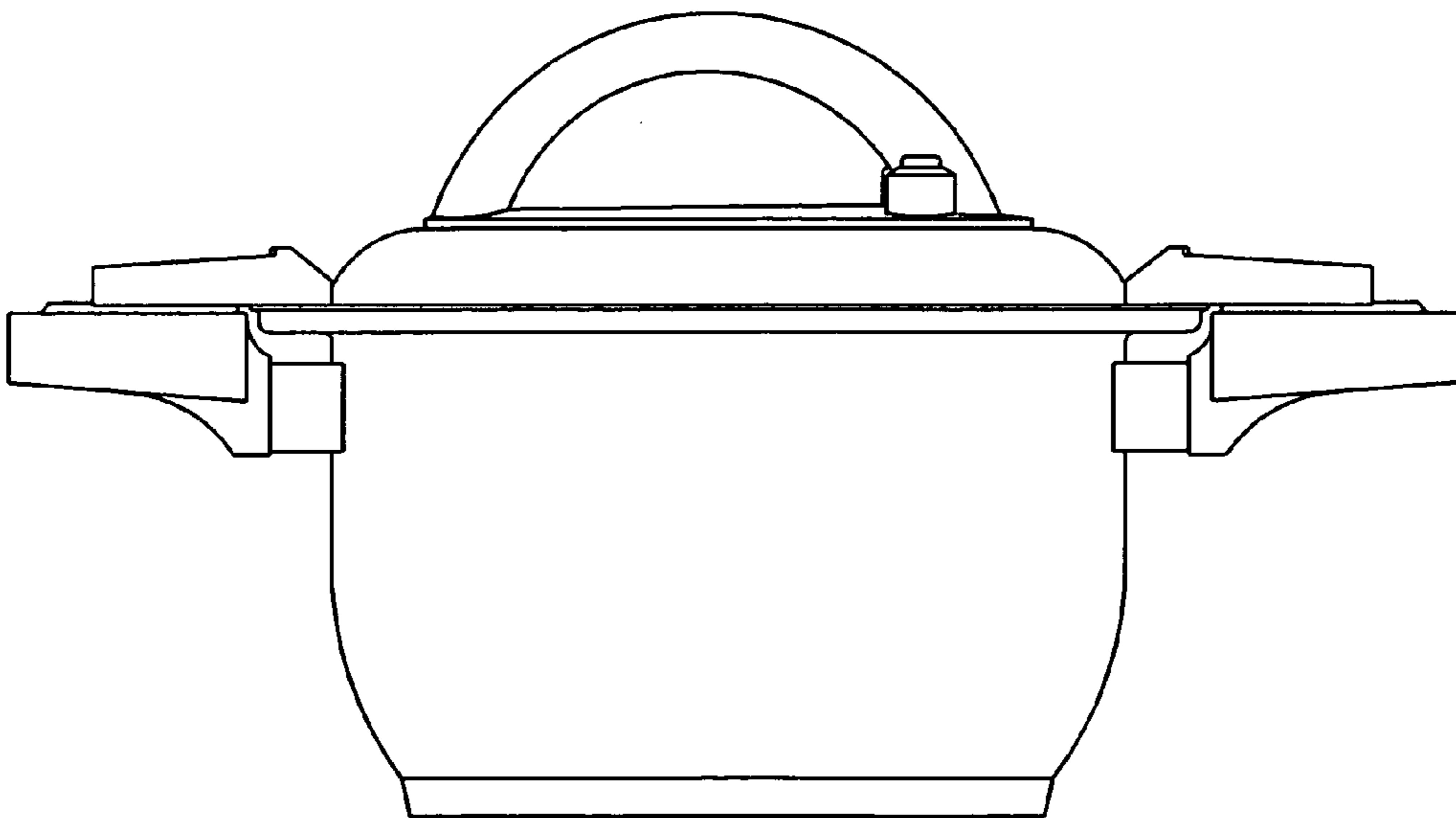


FIG. 9

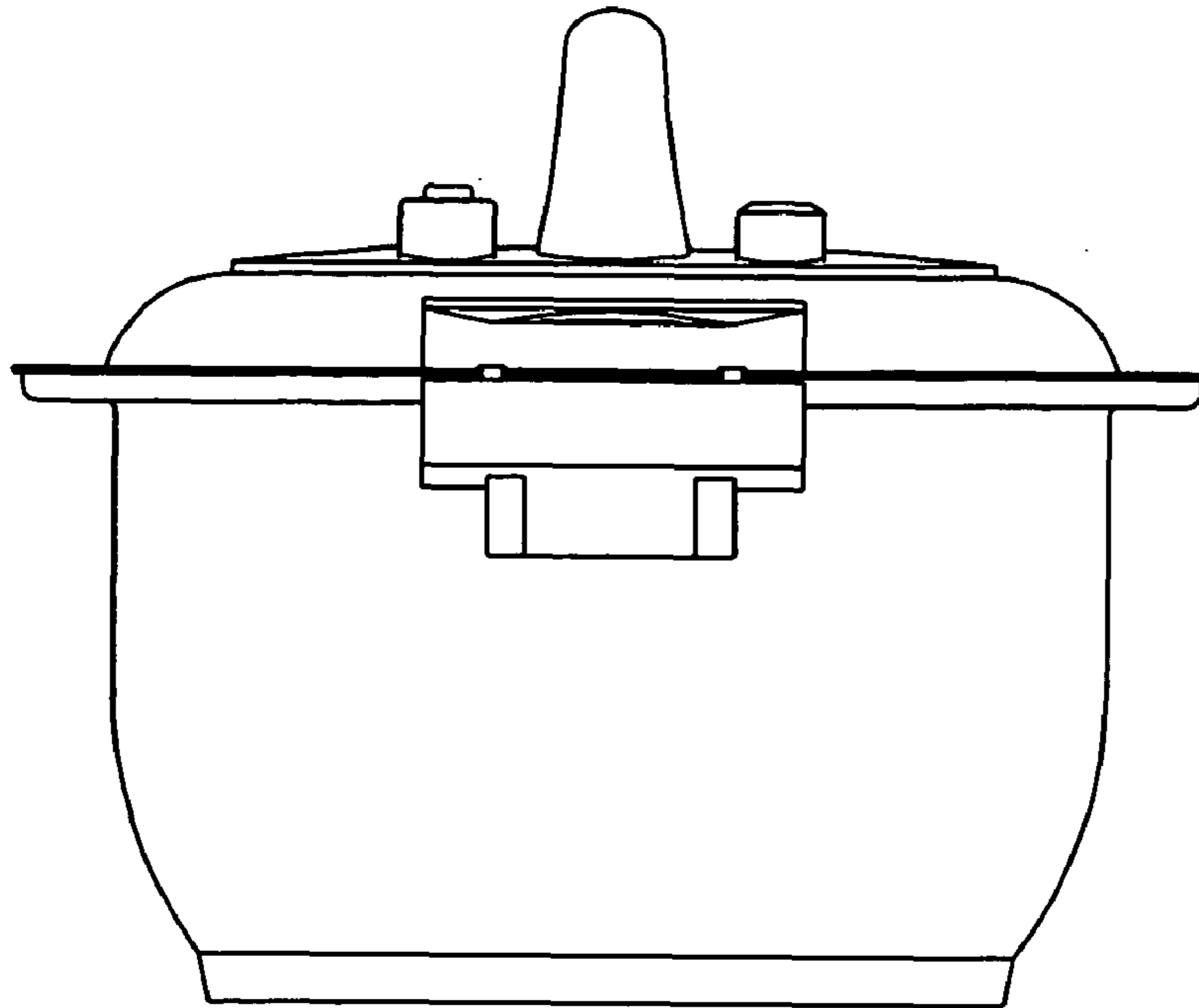


FIG. 10

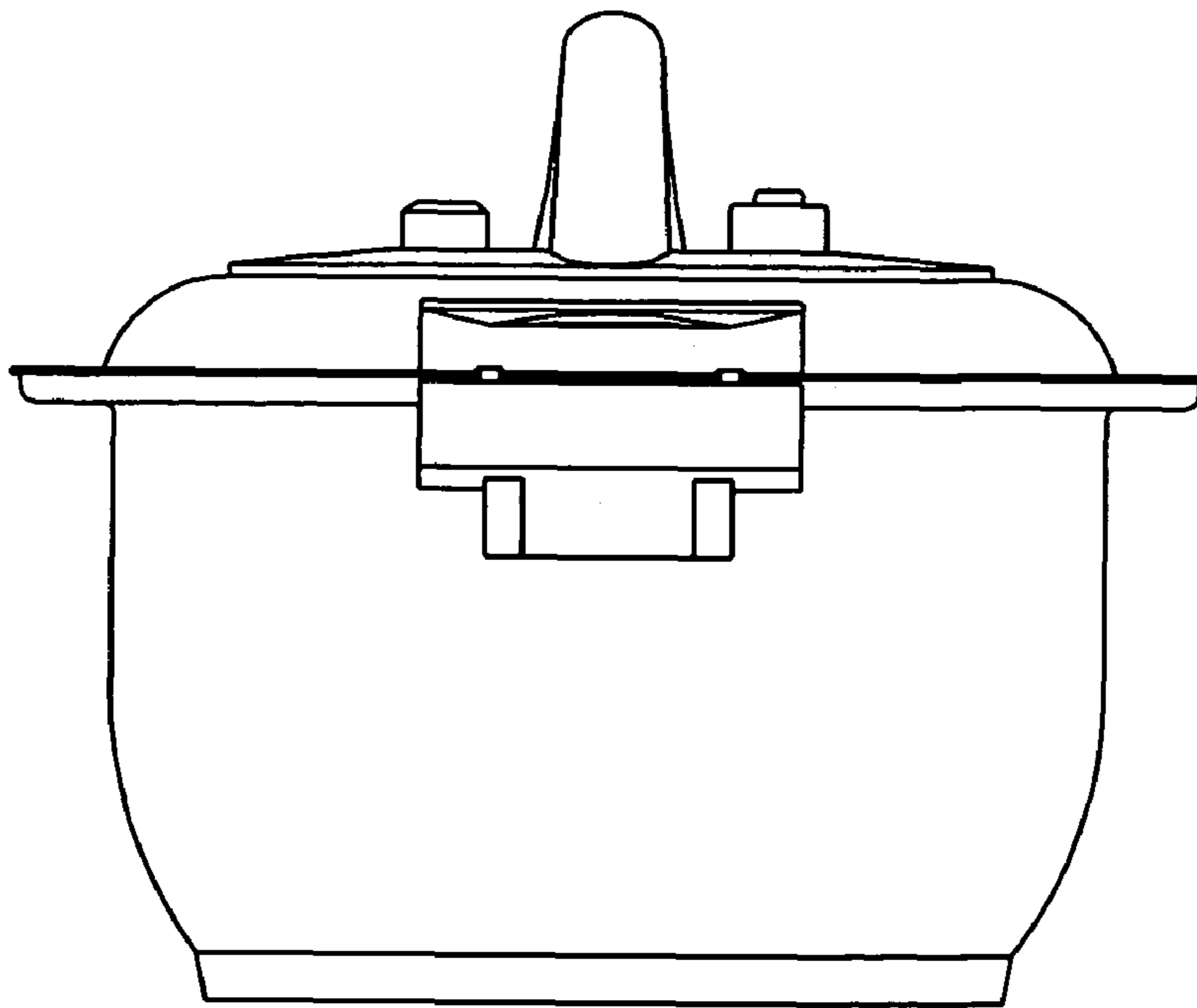


FIG. 11

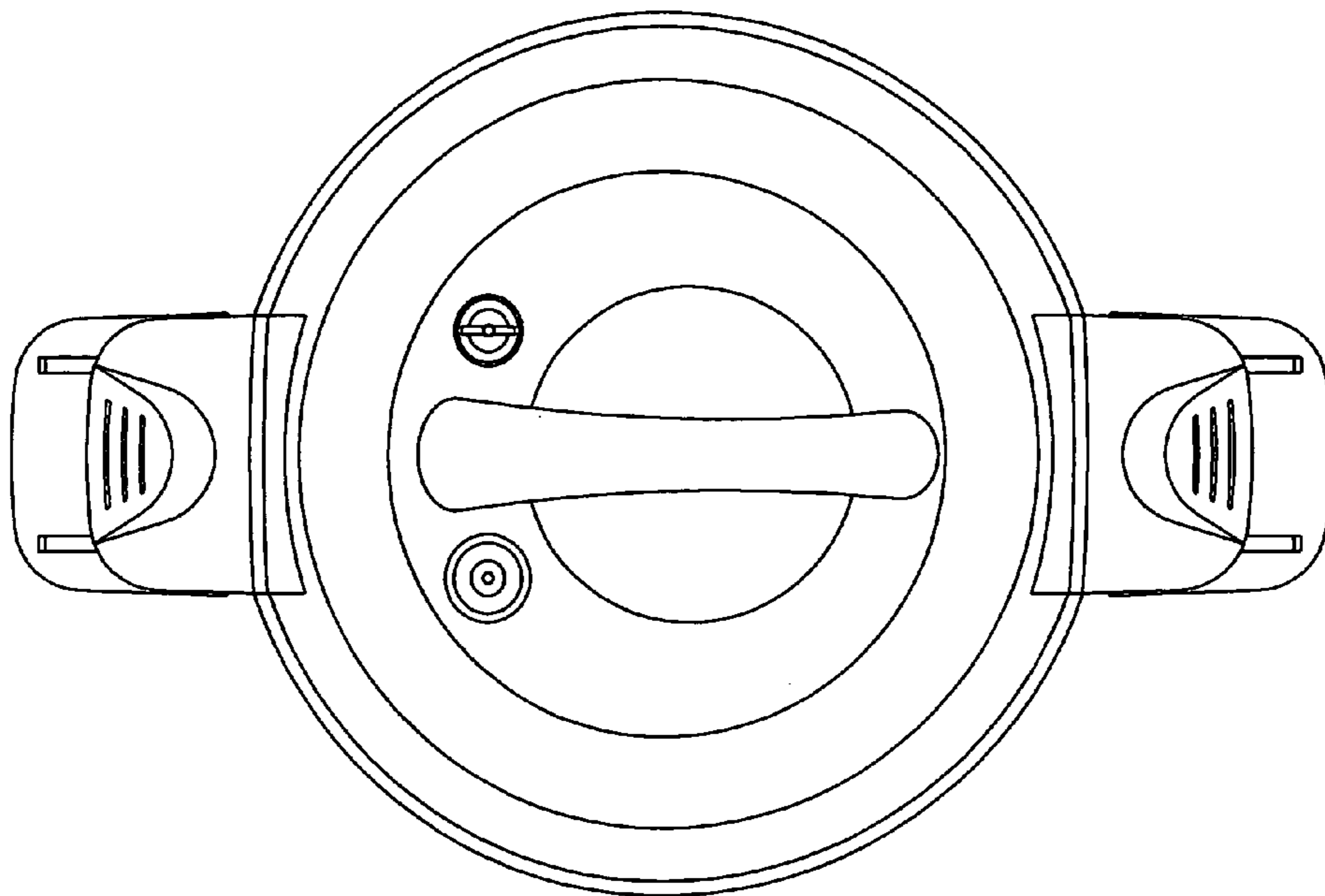


FIG. 12

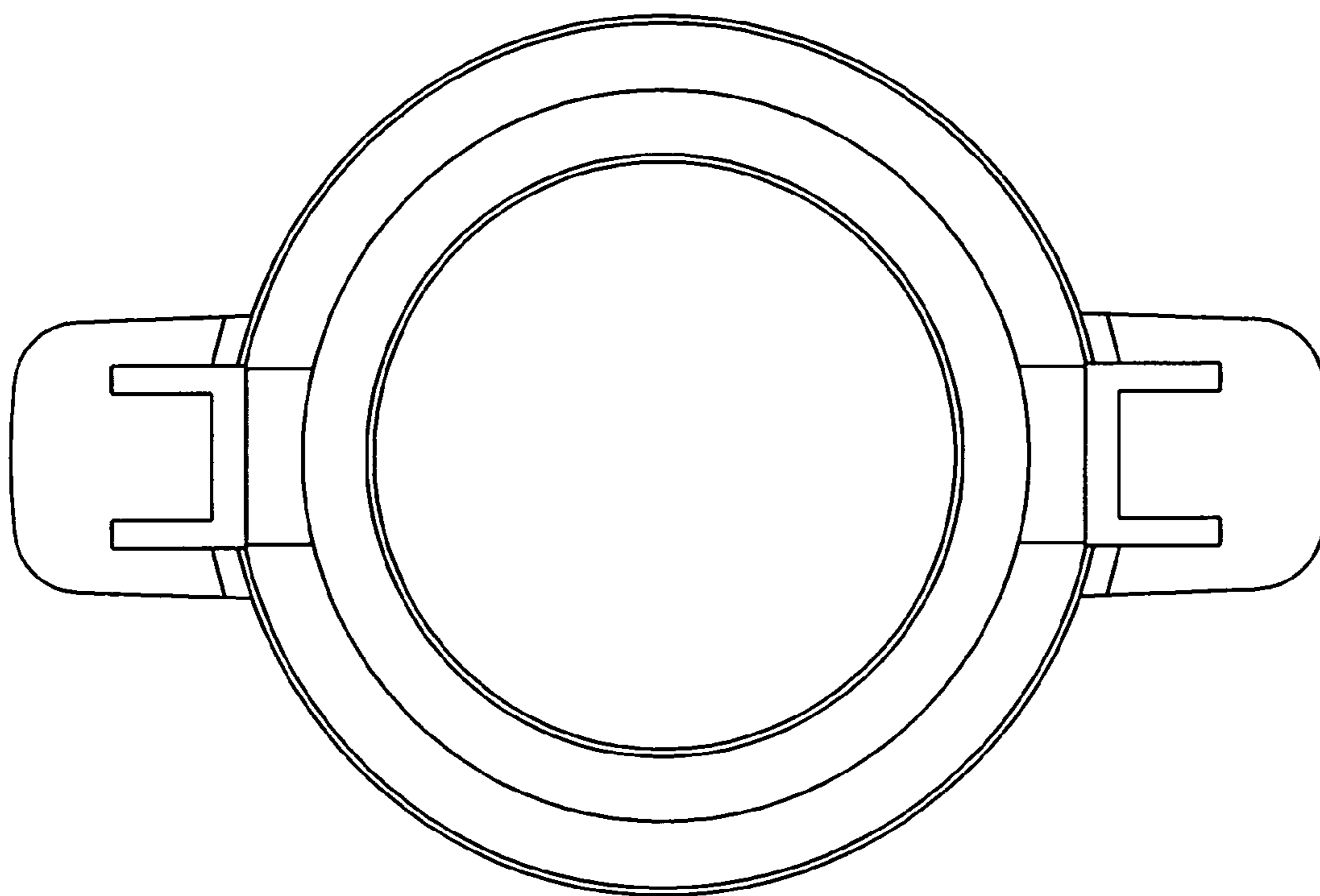


FIG. 13

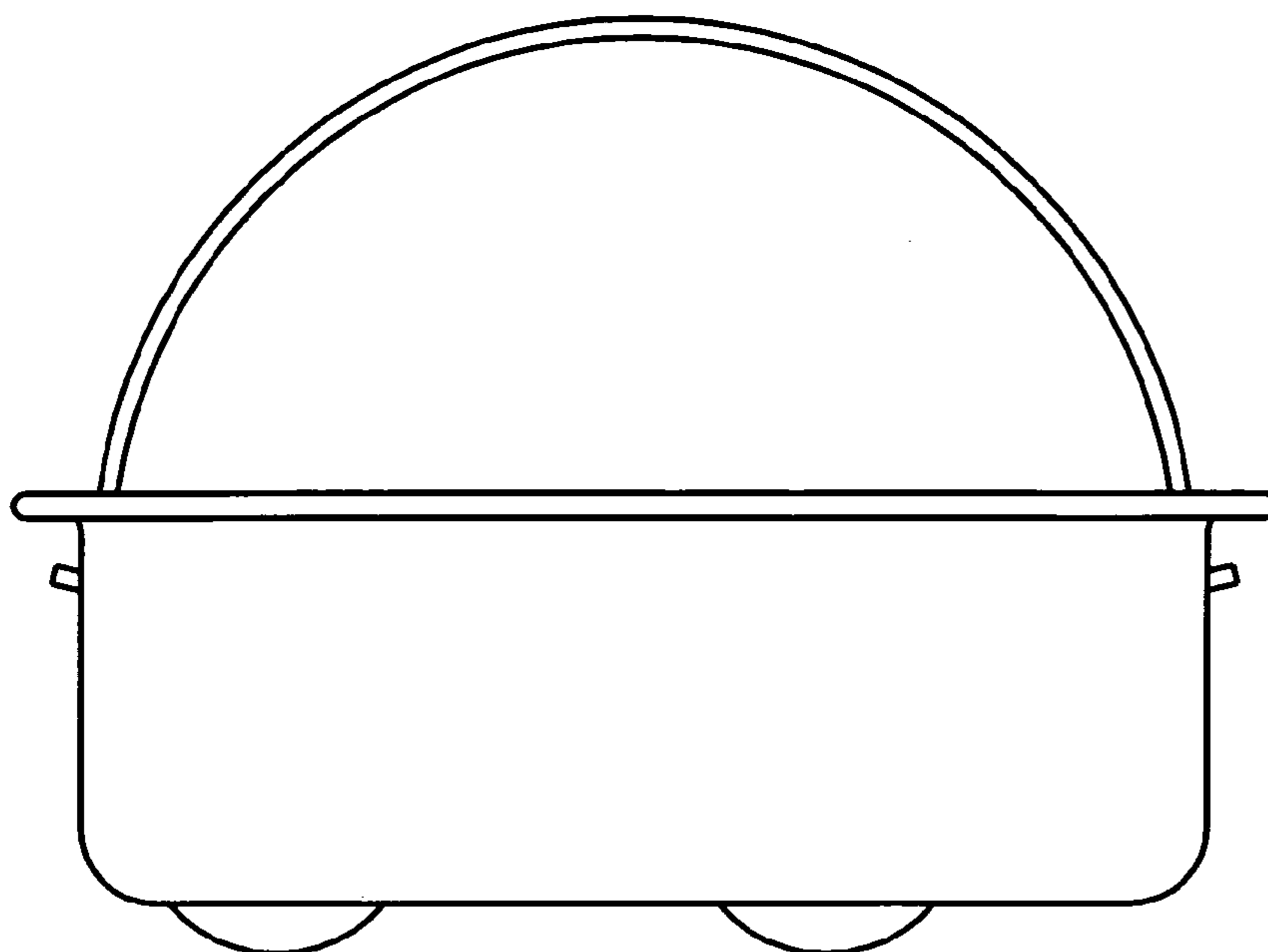


FIG. 14

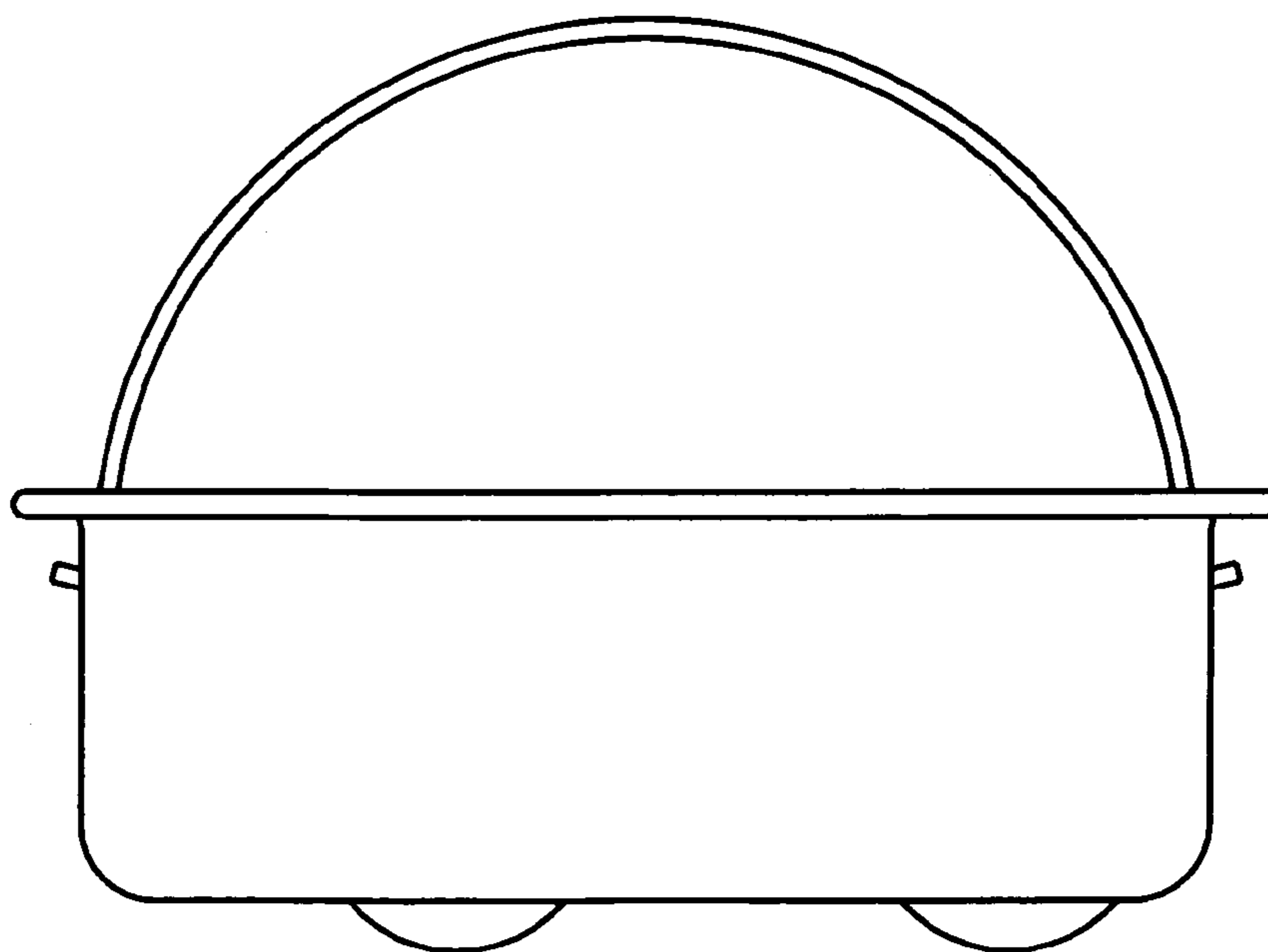


FIG. 15

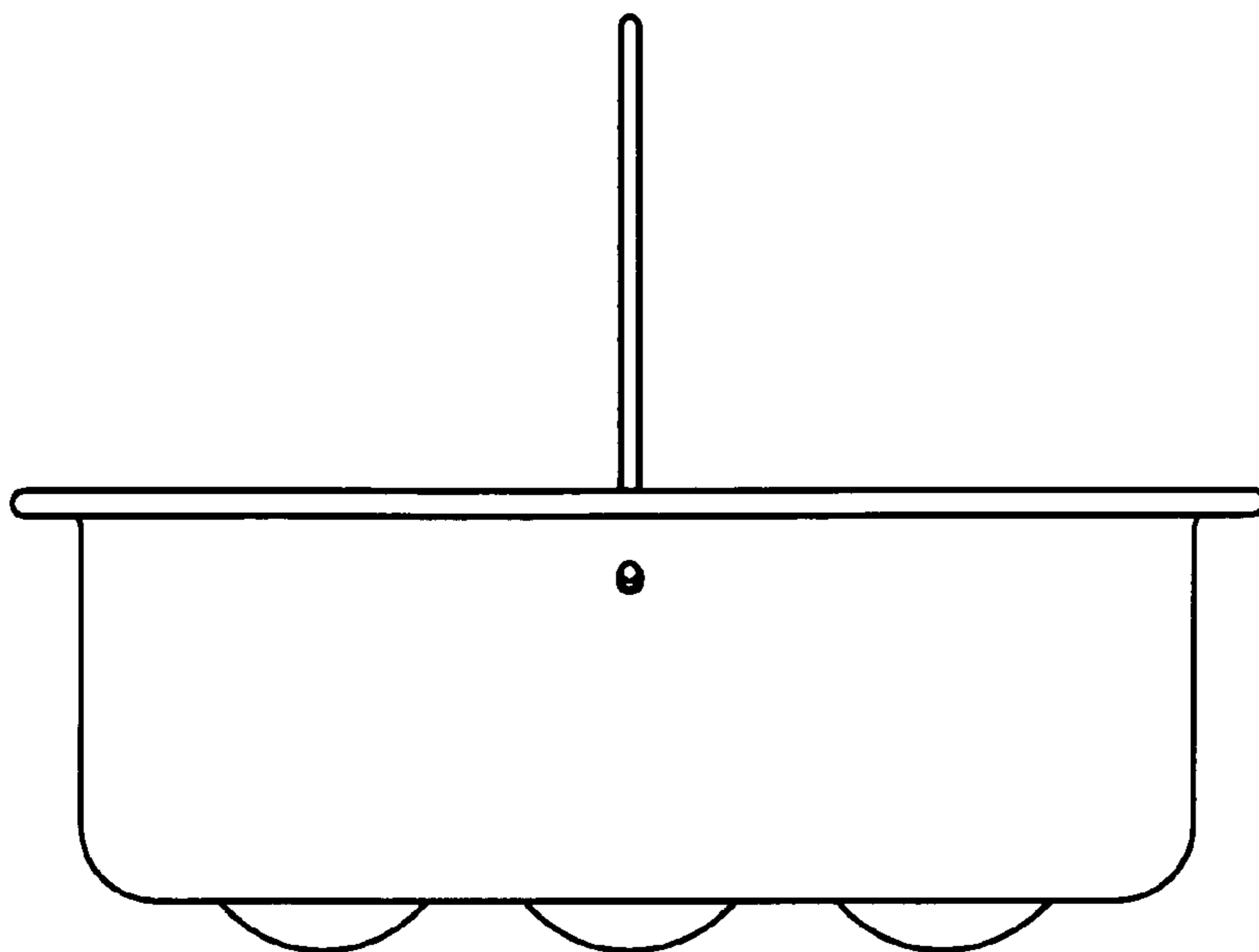


FIG. 16

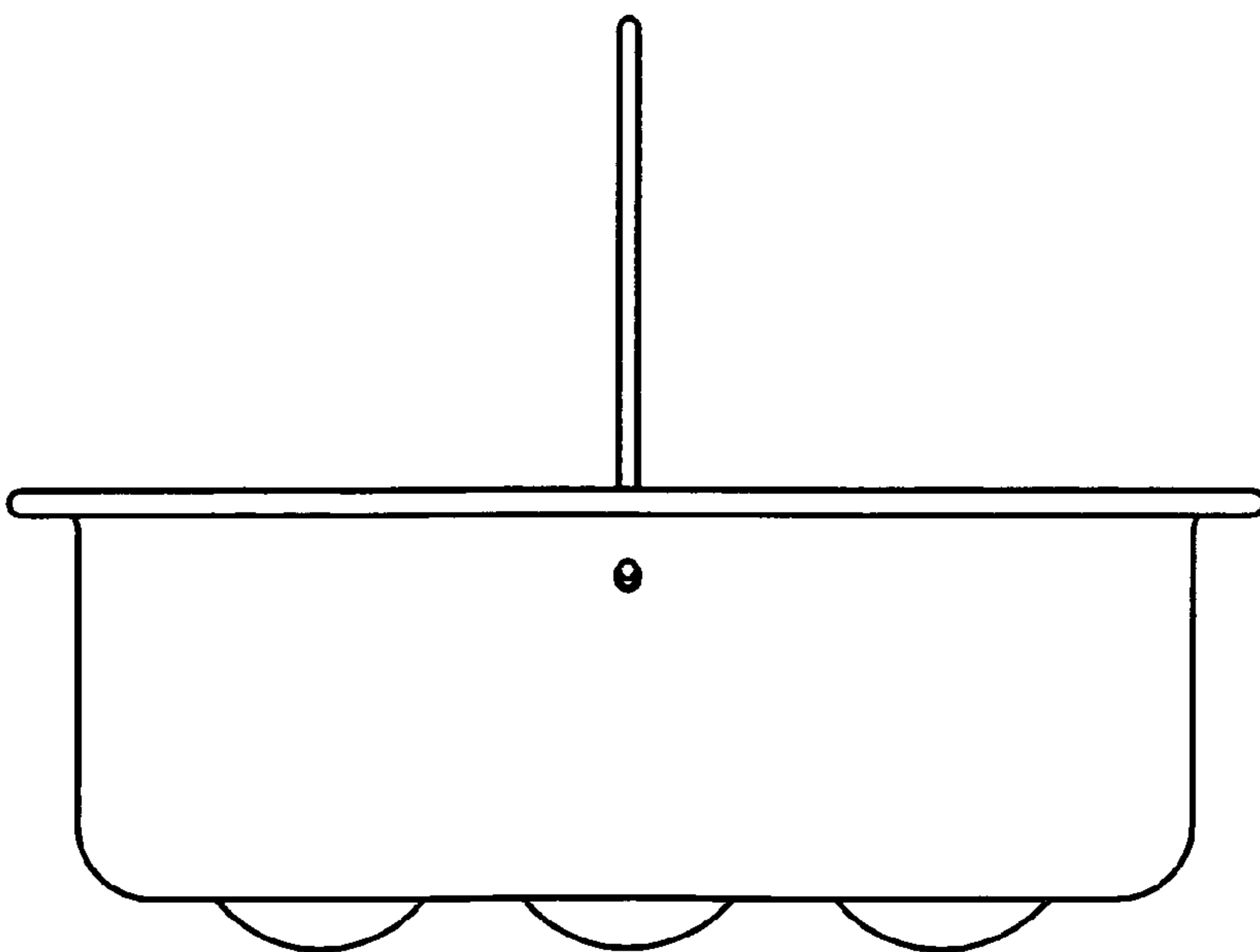


FIG. 17

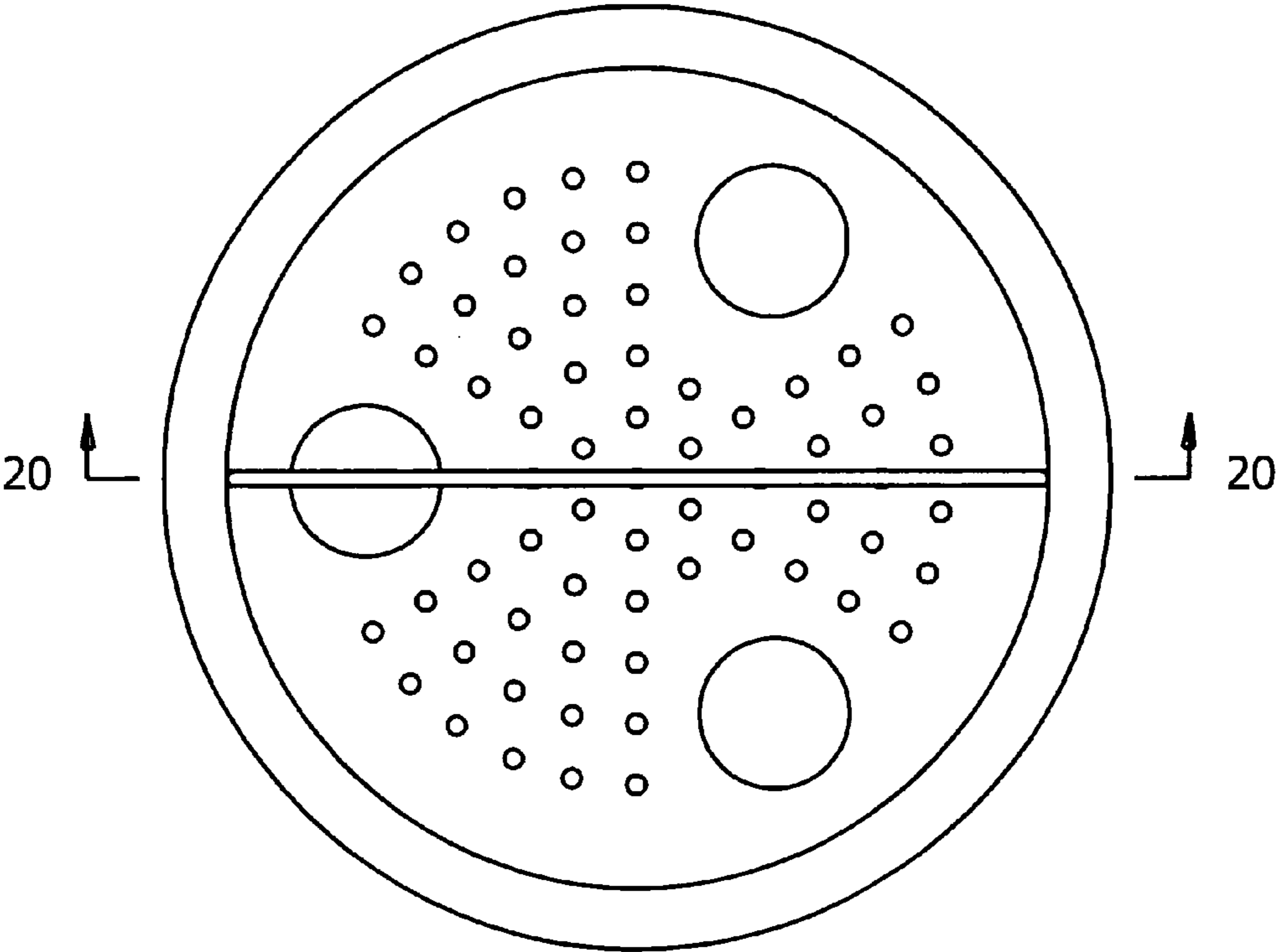


FIG. 18

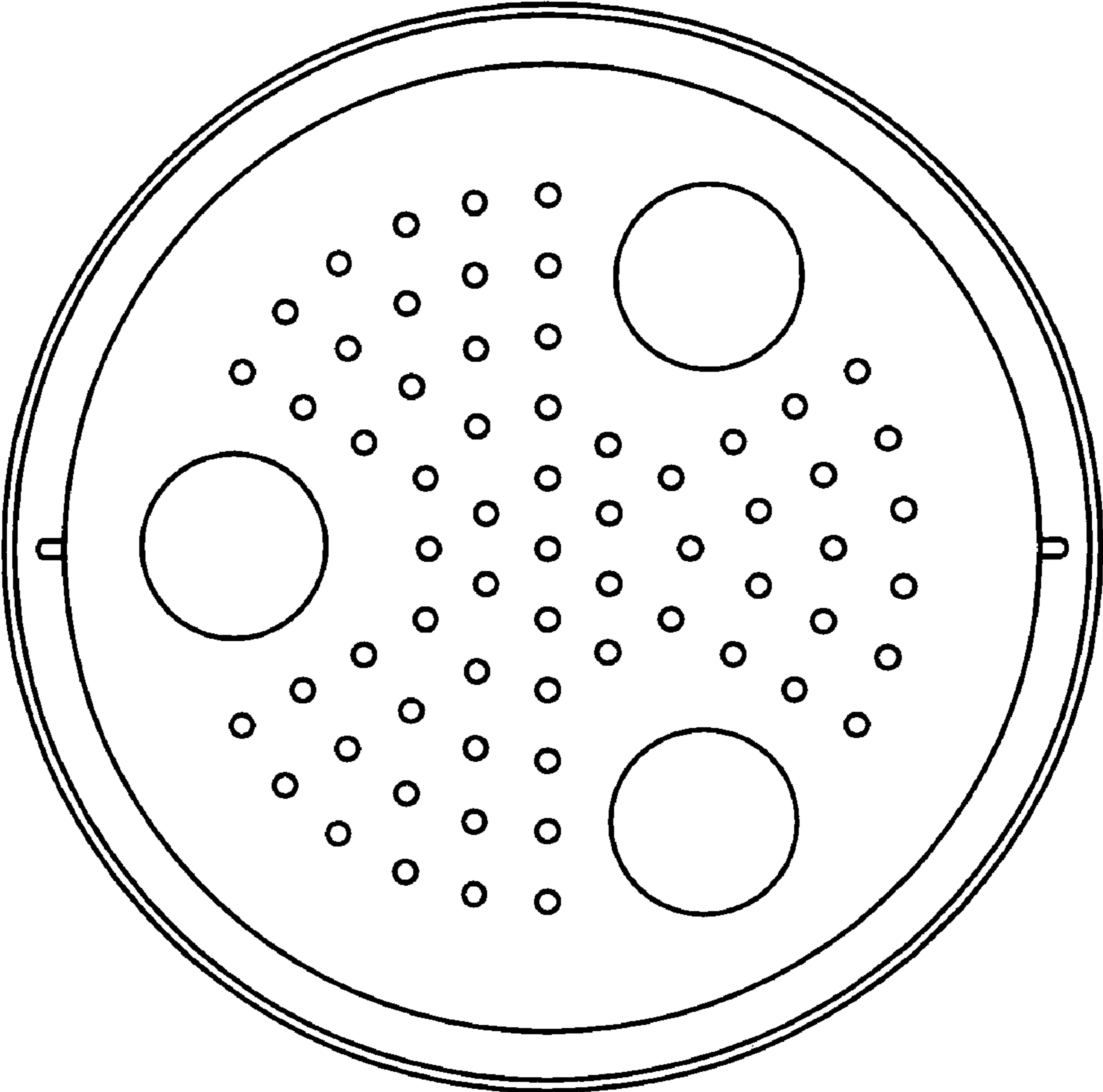


FIG. 19

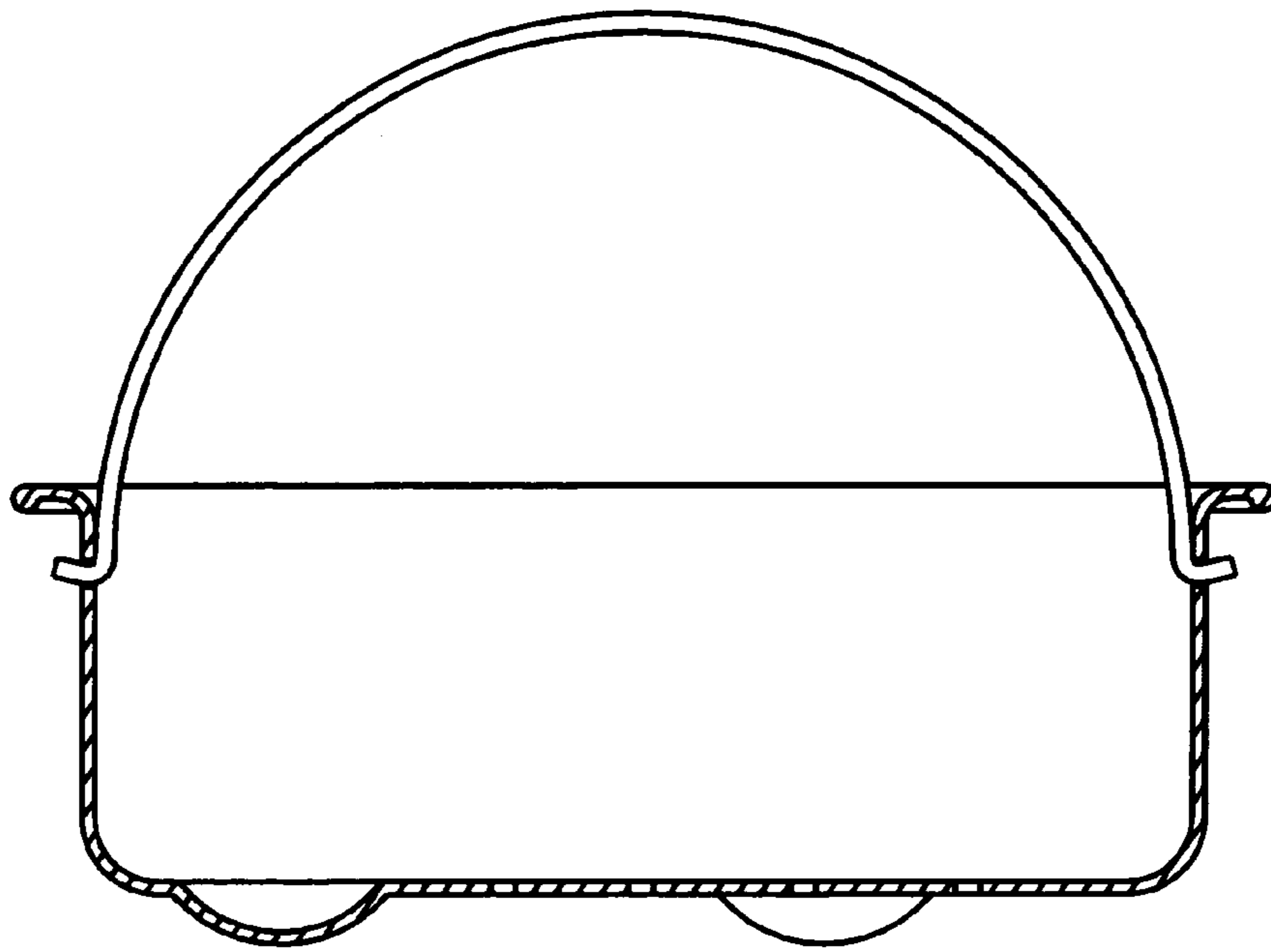


FIG. 20