



US00D626780S

(12) **United States Design Patent**
Gatto

(10) **Patent No.:** **US D626,780 S**

(45) **Date of Patent:** **** Nov. 9, 2010**

(54) **ERGONOMIC TEA KETTLE WITH
CONTOURED GRIP AND TRIGGER
WHISTLE**

(76) **Inventor:** **Daniel Gatto**, 310 Windsor Pl., Apt. 2,
Brooklyn, NY (US) 11218

(**) **Term:** **14 Years**

(21) **Appl. No.:** **29/343,145**

(22) **Filed:** **Sep. 9, 2009**

(51) **LOC (9) Cl.** **07-01**

(52) **U.S. Cl.** **D7/322; D7/321**

(58) **Field of Classification Search** D7/300,
D7/598, 600, 316-319, 305, 322, 321, 312;
99/323.3, 295; 222/129.1, 146.6, 465.1,
222/475.1; 215/12.1, DIG. 6; 220/DIG. 14
See application file for complete search history.

(56) **References Cited**

U.S. PATENT DOCUMENTS

| | | | | |
|--------------|---------|----------|-------|--------|
| D115,928 S * | 8/1939 | Kircher | | D7/322 |
| D153,816 S * | 5/1949 | Mortrude | | D7/321 |
| D191,005 S * | 8/1961 | Jepson | | D7/322 |
| D336,006 S * | 6/1993 | Lebowitz | | D7/322 |
| D352,419 S * | 11/1994 | Lin | | D7/322 |
| D361,692 S * | 8/1995 | Lee | | D7/322 |
| D380,337 S * | 7/1997 | Lien | | D7/322 |
| D478,767 S * | 8/2003 | Lebowitz | | D7/322 |
| D490,641 S * | 6/2004 | Lebowitz | | D7/321 |
| D502,838 S * | 3/2005 | Ancona | | D7/321 |

| | | | | |
|----------------|--------|--------------|-------|--------|
| 7,048,144 B1 * | 5/2006 | Chan et al. | | 222/1 |
| D541,100 S * | 4/2007 | Lebowitz | | D7/322 |
| D541,573 S * | 5/2007 | Lebowitz | | D7/322 |
| D574,659 S * | 8/2008 | Lebowitz | | D7/322 |
| D574,660 S * | 8/2008 | Grund et al. | | D7/322 |

* cited by examiner

Primary Examiner—Marianne Pandozzi

(74) *Attorney, Agent, or Firm*—Steven Horowitz

(57) **CLAIM**

The ornamental design for an ergonomic tea kettle with con-
toured grip and trigger whistle, as shown and described.

DESCRIPTION

FIG. 1 is a perspective view of the present invention showing
my new design for an ergonomic tea kettle with contoured
grip and trigger whistle;

FIG. 2 is a left side view thereof;

FIG. 3 is a right side view thereof;

FIG. 4 is a front view thereof;

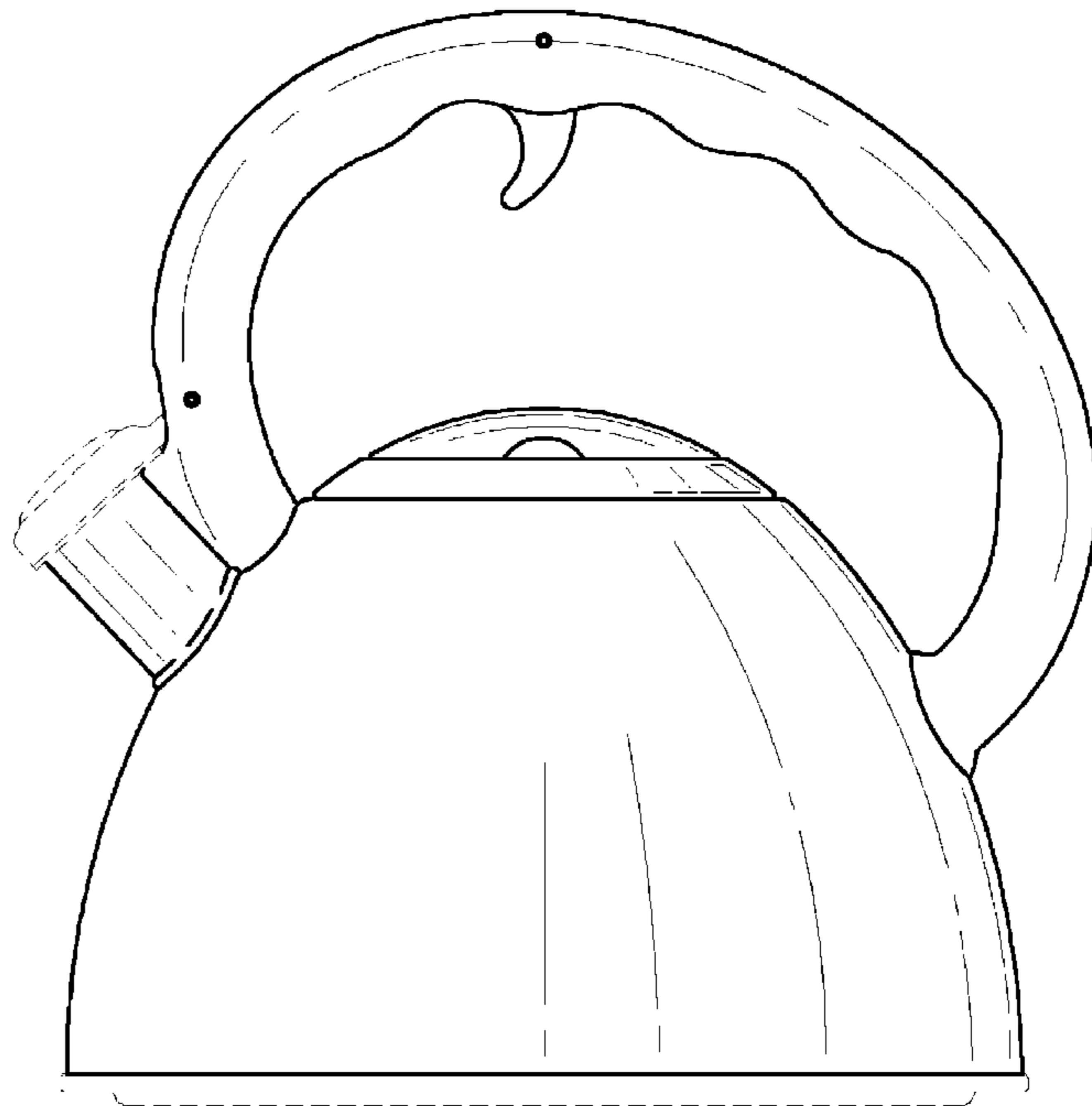
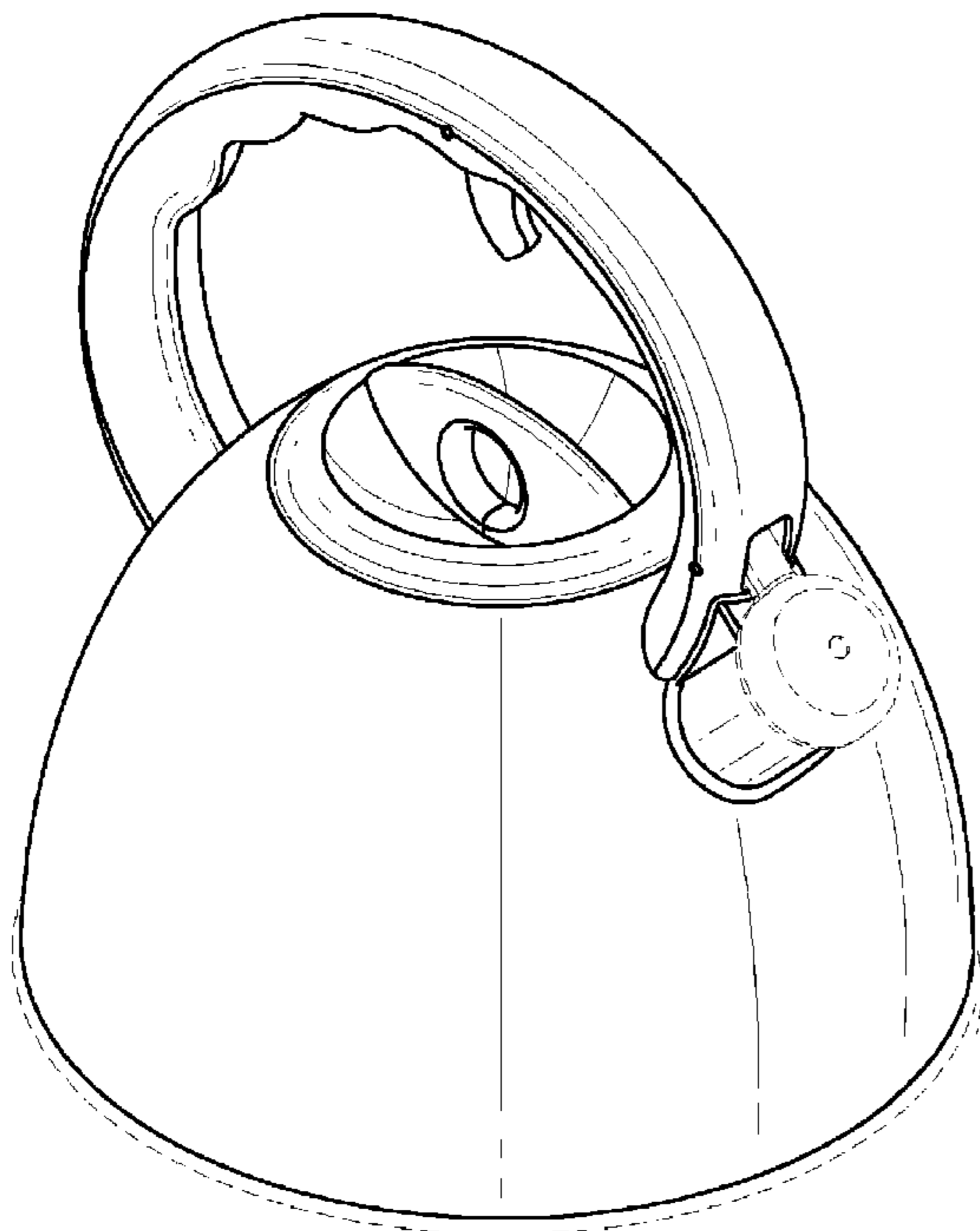
FIG. 5 is a rear view thereof;

FIG. 6 is a top view thereof; and,

FIG. 7 is a bottom view thereof.

The broken line showing of the spout and bottom edge of the
tea kettle are included for the purpose of illustration and form
no part of the claimed design.

1 Claim, 7 Drawing Sheets



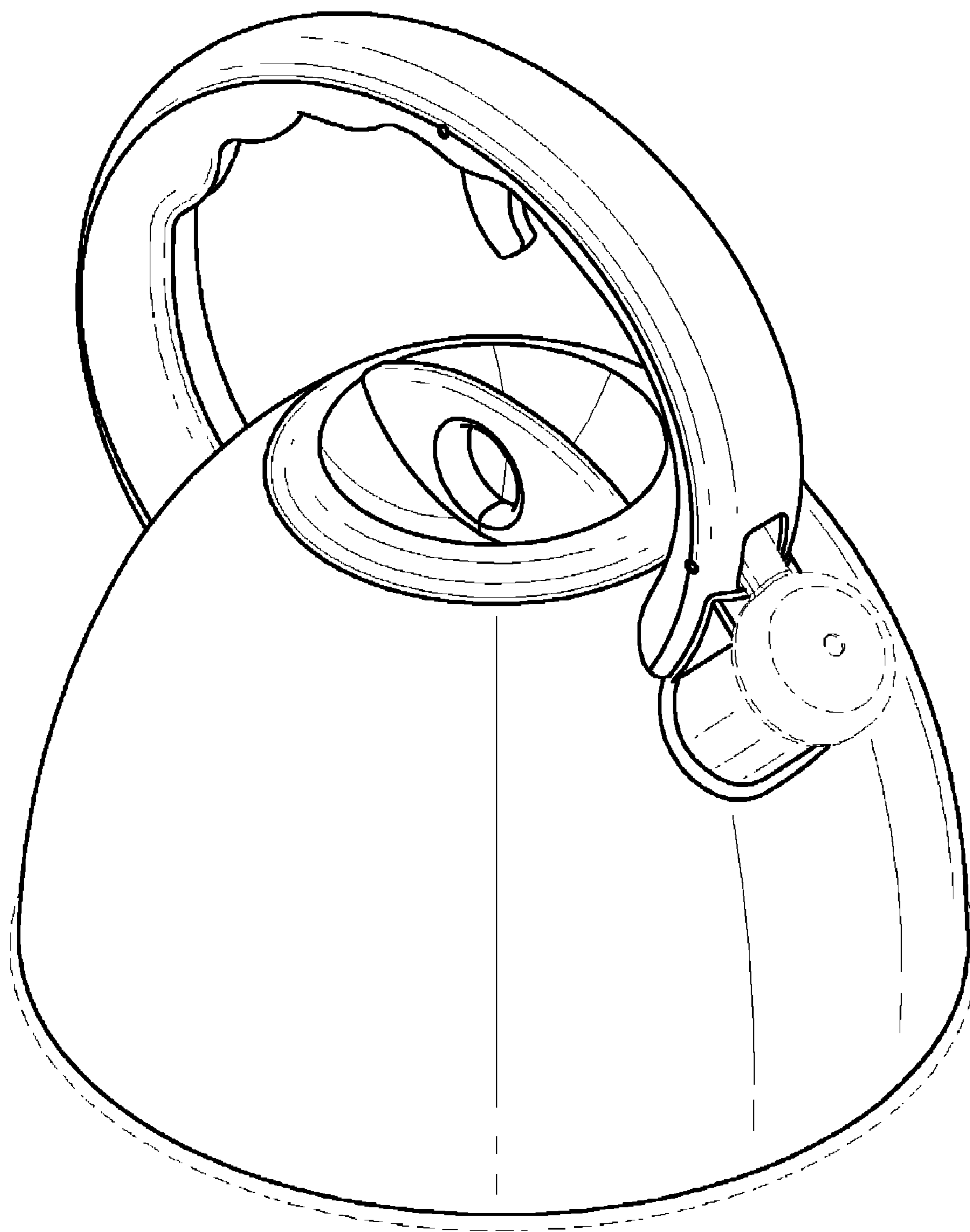


FIG. 1

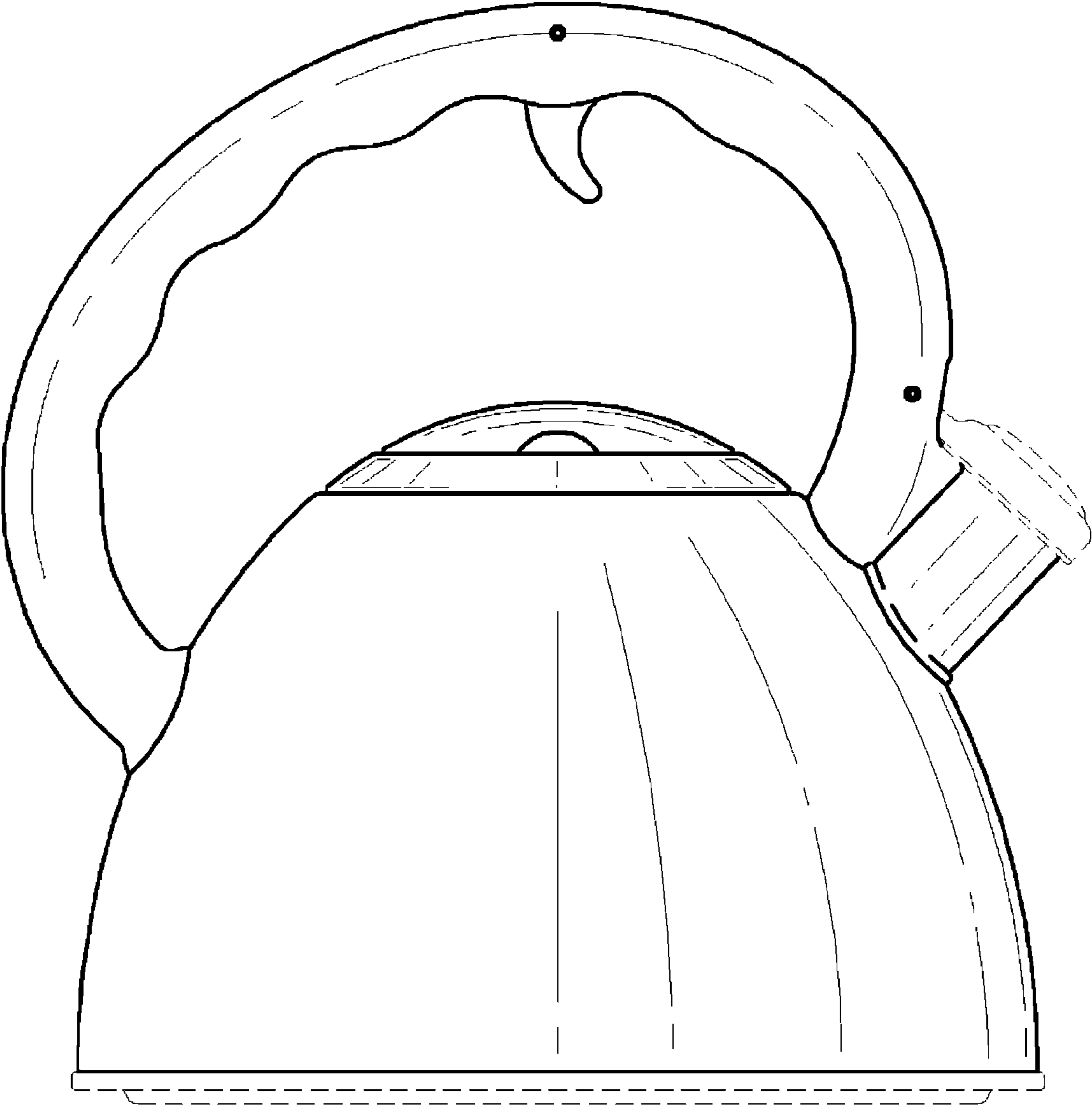


FIG. 2

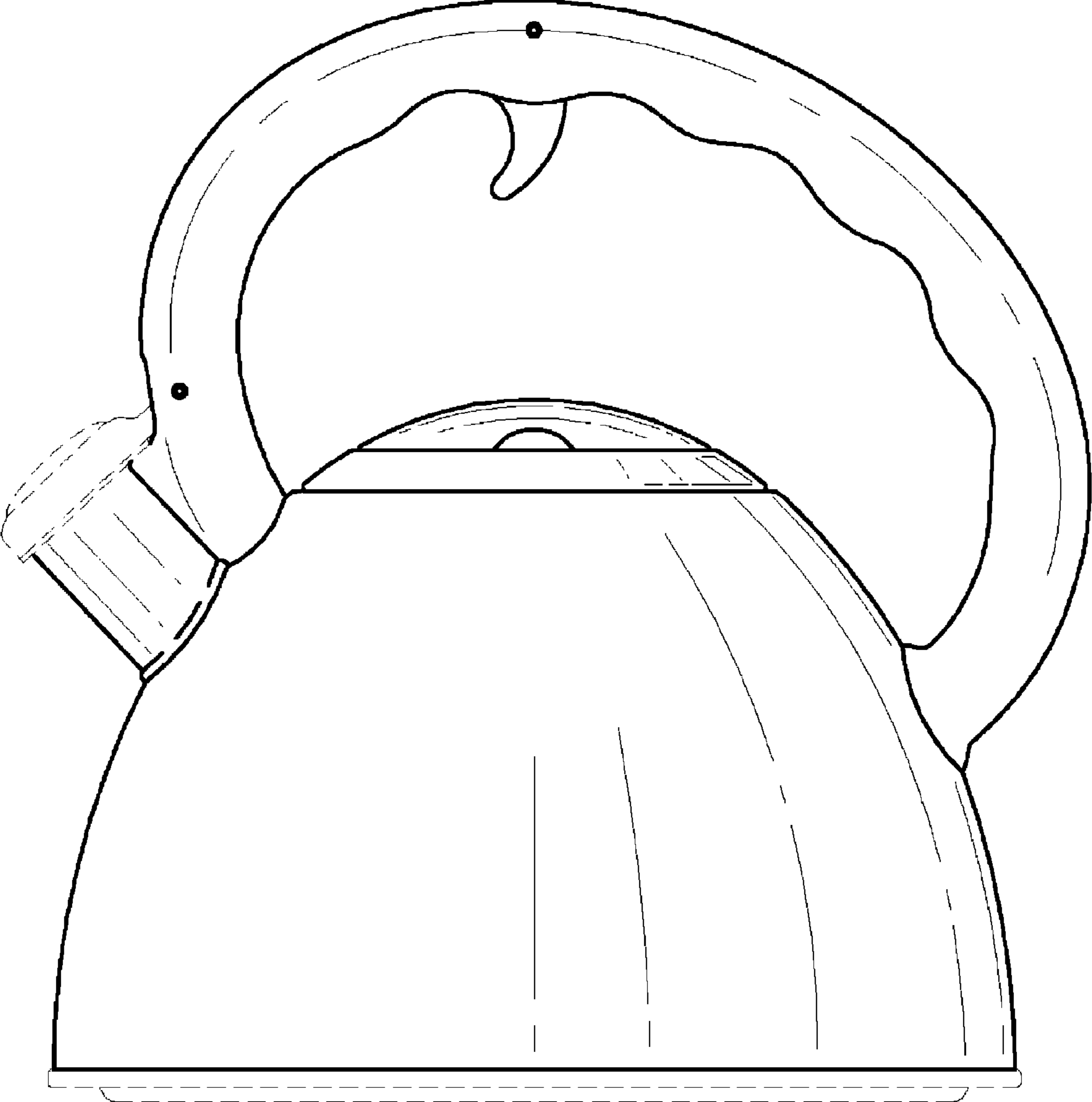


FIG. 3

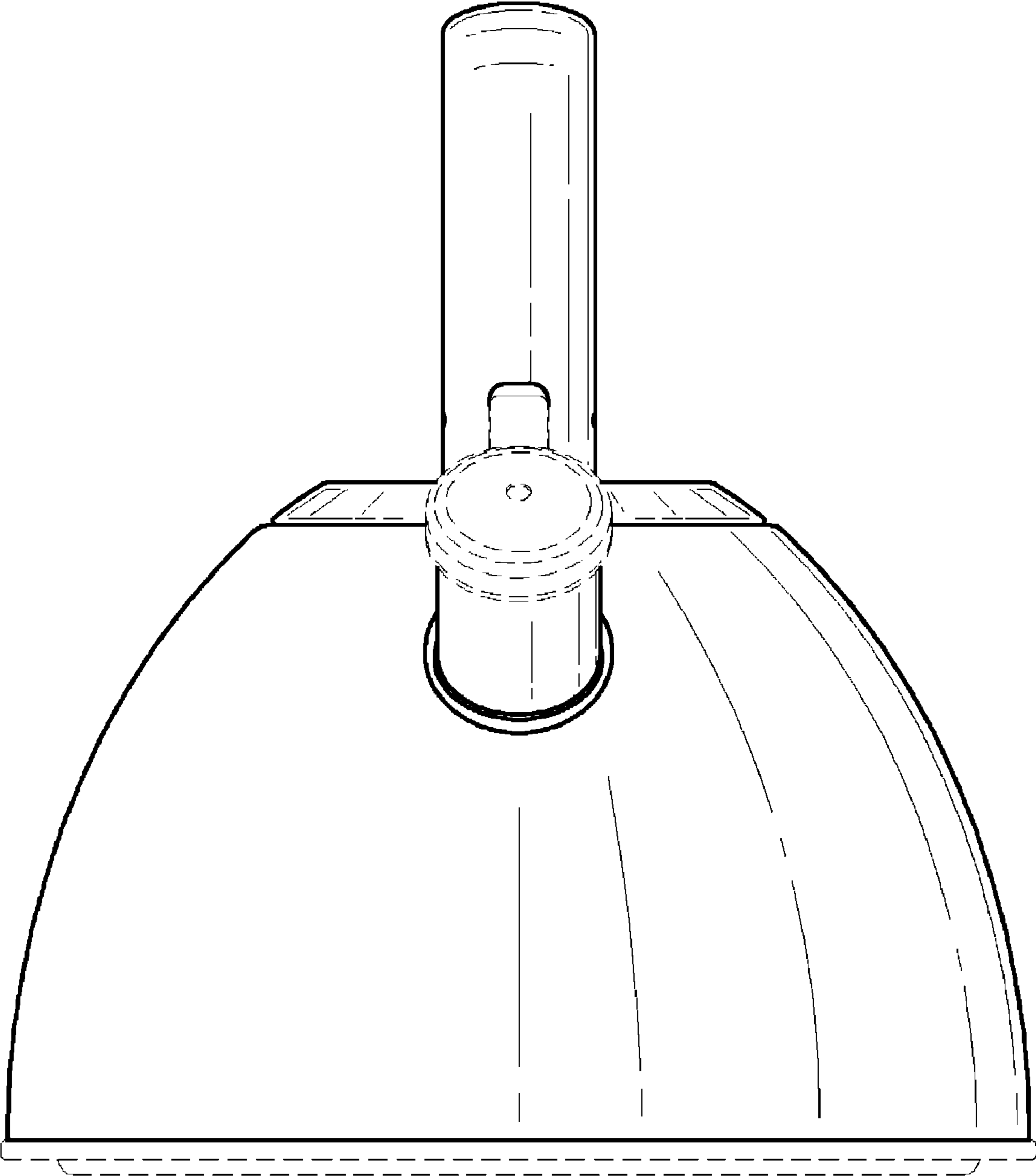


FIG. 4

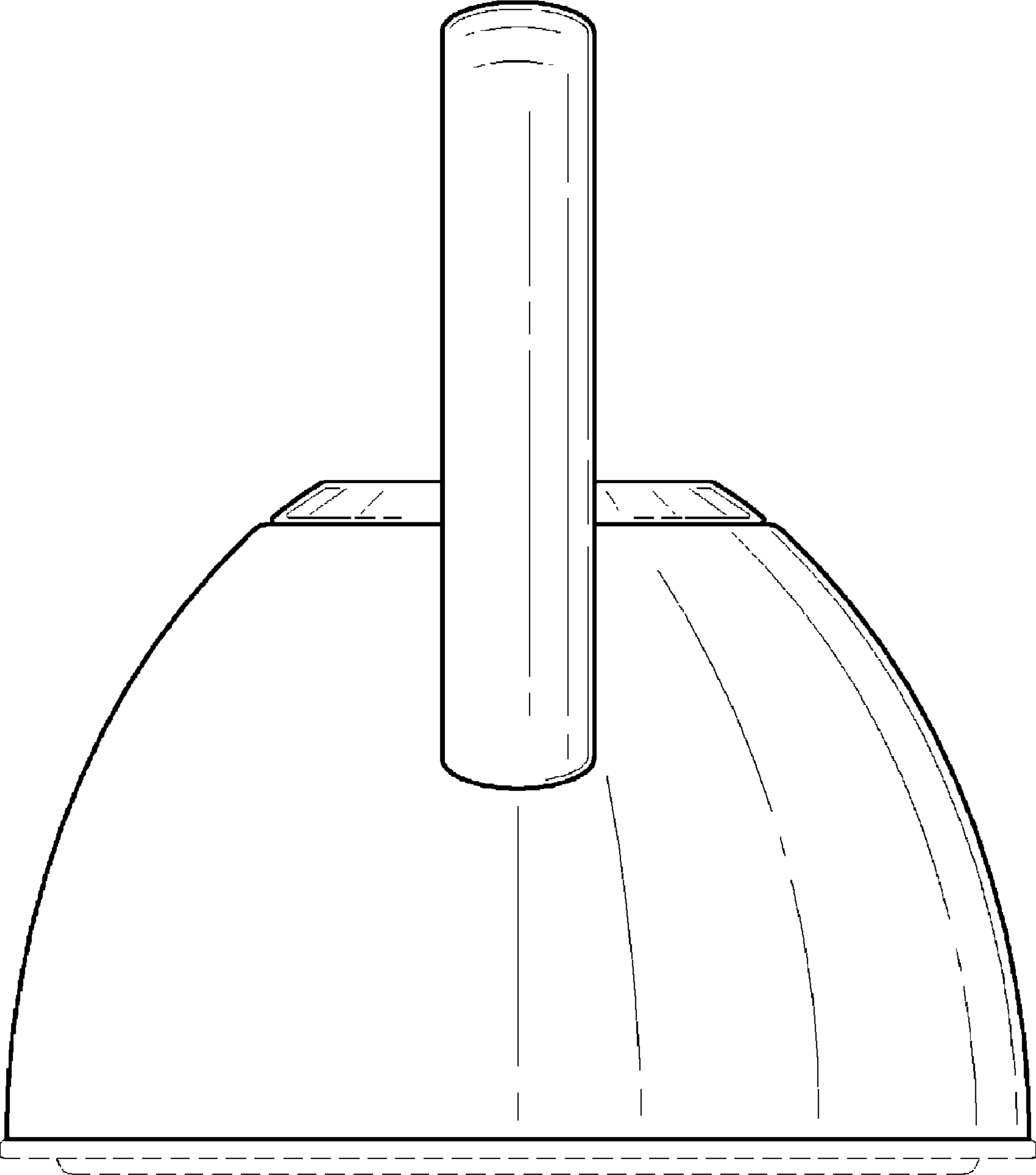


FIG. 5

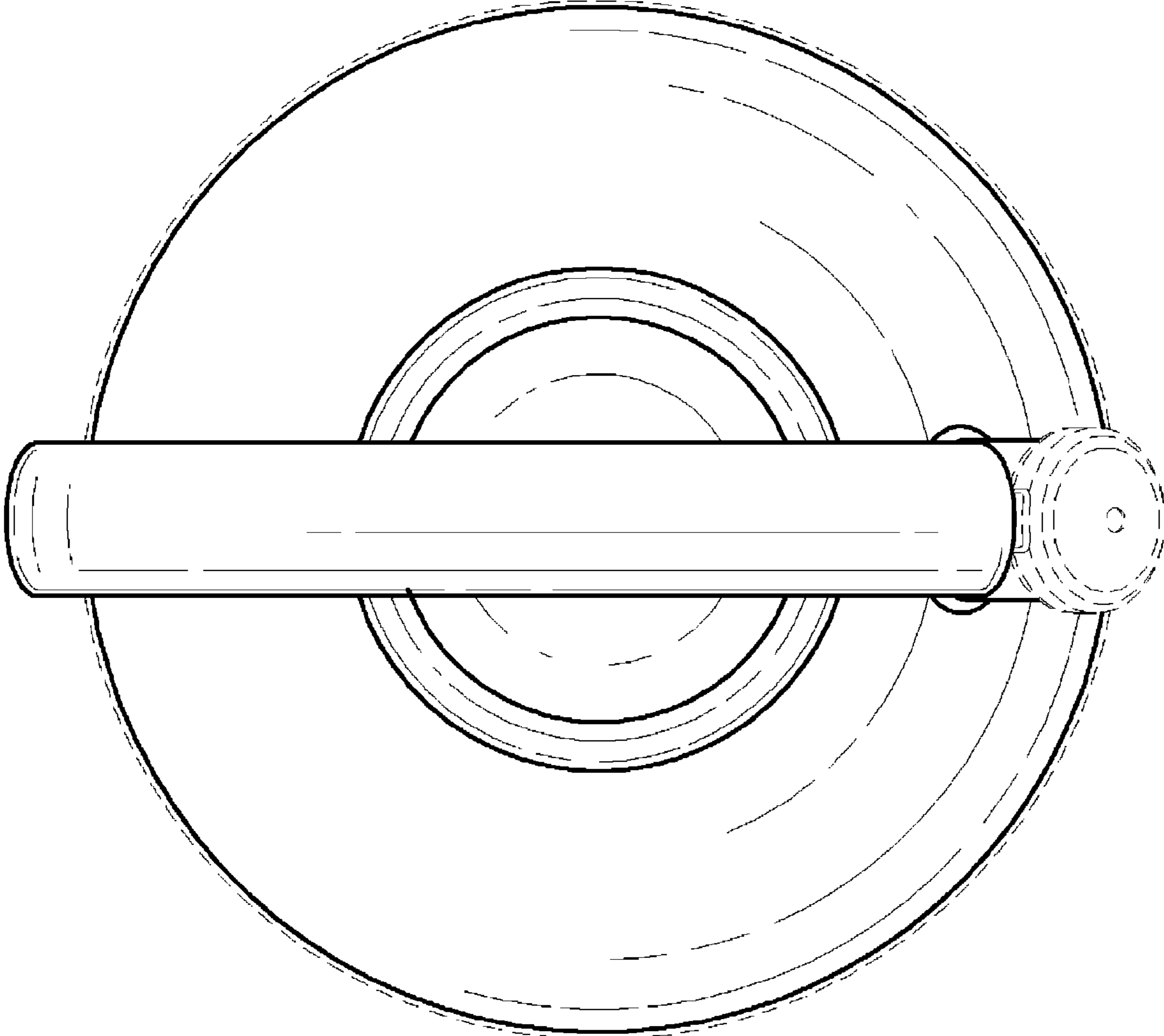


FIG. 6

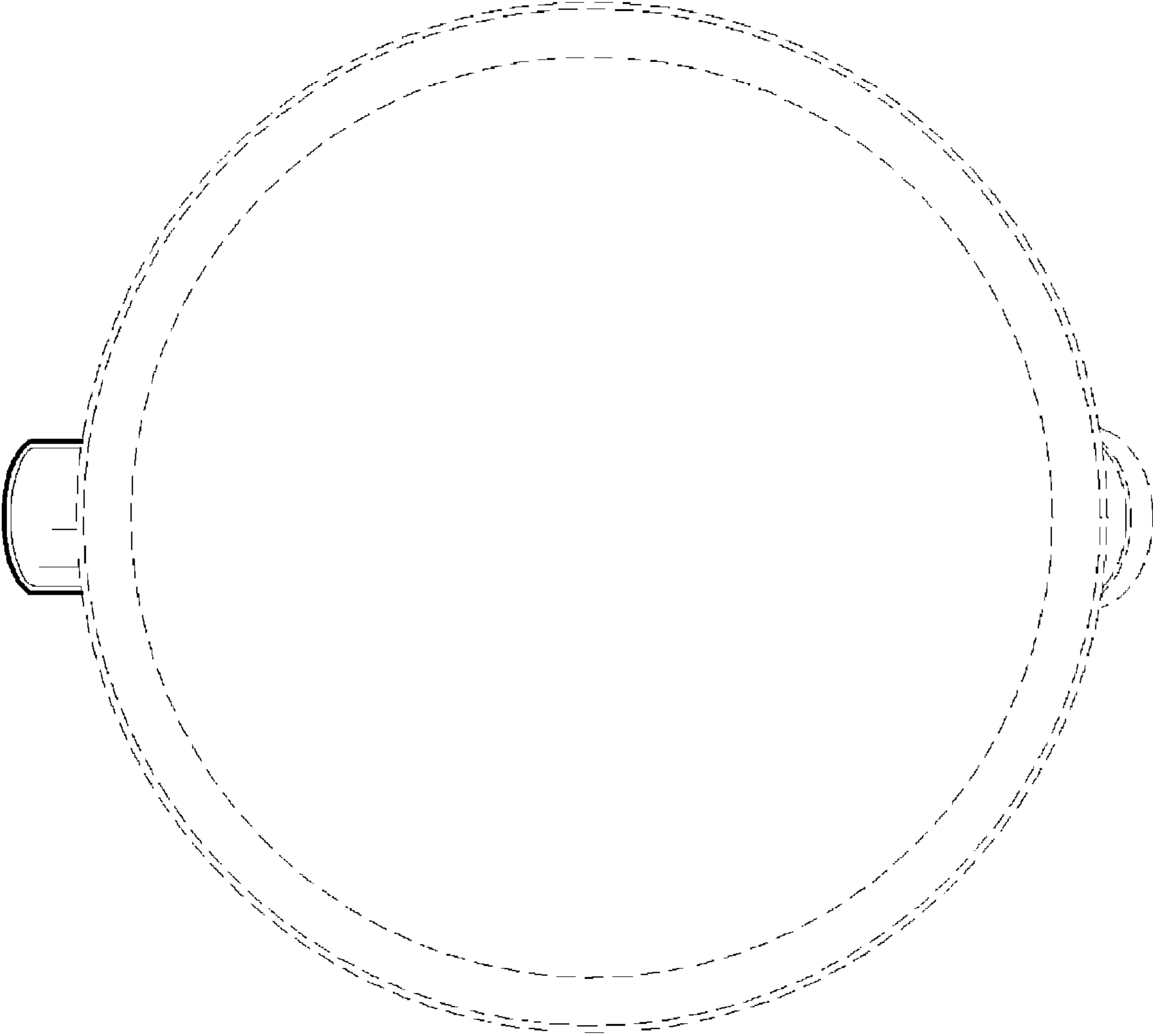


FIG. 7