



US00D626778S

(12) **United States Design Patent**  
**Bell et al.**

(10) **Patent No.:** **US D626,778 S**  
(45) **Date of Patent:** **\*\* Nov. 9, 2010**

(54) **WATER PITCHER**

(75) Inventors: **Russell E. Bell**, Pleasanton, CA (US);  
**Benjamin Ma**, Pleasanton, CA (US);  
**Brett Green**, Pleasanton, CA (US);  
**Brett D. McIntire**, Pleasanton, CA (US);  
**Anton Lee See**, Woolloongaba (AU);  
**Allister Gough**, Woolloongaba (AU)

(73) Assignee: **Brita LP**, Oakland, CA (US)

(\*\*) Term: **14 Years**

(21) Appl. No.: **29/357,467**

(22) Filed: **Mar. 12, 2010**

(51) **LOC (9) Cl.** ..... **07-01**

(52) **U.S. Cl.** ..... **D7/319; D7/317**

(58) **Field of Classification Search** ..... D7/300,  
D7/316-319, 605; 210/143, 237, 85; 222/146.6,  
222/465.1; 215/13.1; 219/429  
See application file for complete search history.

(56) **References Cited**

**U.S. PATENT DOCUMENTS**

- D323,874 S 2/1992 Hirman et al.
- D331,446 S 12/1992 Gidman
- 5,190,643 A 3/1993 Duncan et al.
- D336,760 S 6/1993 Raunkjaer
- D345,669 S 4/1994 Piret
- D356,004 S 3/1995 Valkenburg et al.
- 5,637,214 A 6/1997 Kahana
- D383,351 S 9/1997 DeMore
- 5,665,224 A 9/1997 Levene et al.
- D386,041 S 11/1997 Tanner et al.
- D388,654 S 1/1998 Bouhuys
- D388,655 S 1/1998 Flom et al.
- D389,004 S 1/1998 Hampshire et al.
- D389,006 S 1/1998 Demore et al.
- D398,184 S 9/1998 Silverberg et al.
- D400,392 S 11/1998 Robertson et al.
- D406,003 S 2/1999 Tanner et al.
- 5,900,138 A 5/1999 Moretto
- D415,922 S 11/1999 Kawasaki et al.

- D416,163 S \* 11/1999 Doritty et al. .... D7/319
- D418,714 S 1/2000 Fox et al.
- D421,361 S 3/2000 Coulson et al.
- 6,103,114 A 8/2000 Tanner et al.
- D436,790 S \* 1/2001 Saltet ..... D7/319
- D437,175 S 2/2001 Brady
- D439,790 S 4/2001 Matsushita et al.
- D440,110 S 4/2001 Tanner et al.
- 6,224,751 B1 5/2001 Hofmann et al.
- D444,843 S 7/2001 Hilgers et al.
- D444,987 S 7/2001 McGrath et al.
- D445,293 S 7/2001 Lillelund et al.
- D459,941 S 7/2002 Miller
- D460,311 S 7/2002 Chang
- D463,706 S 10/2002 Lecerf

(Continued)

**FOREIGN PATENT DOCUMENTS**

DE 40403866.7 9/2004

(Continued)

**OTHER PUBLICATIONS**

US D444,652, 07/2001, McGrath et al. (withdrawn)  
*Primary Examiner*—Marianne Pandozzi  
(74) *Attorney, Agent, or Firm*—Thomas C. Feix; Stacy Combs

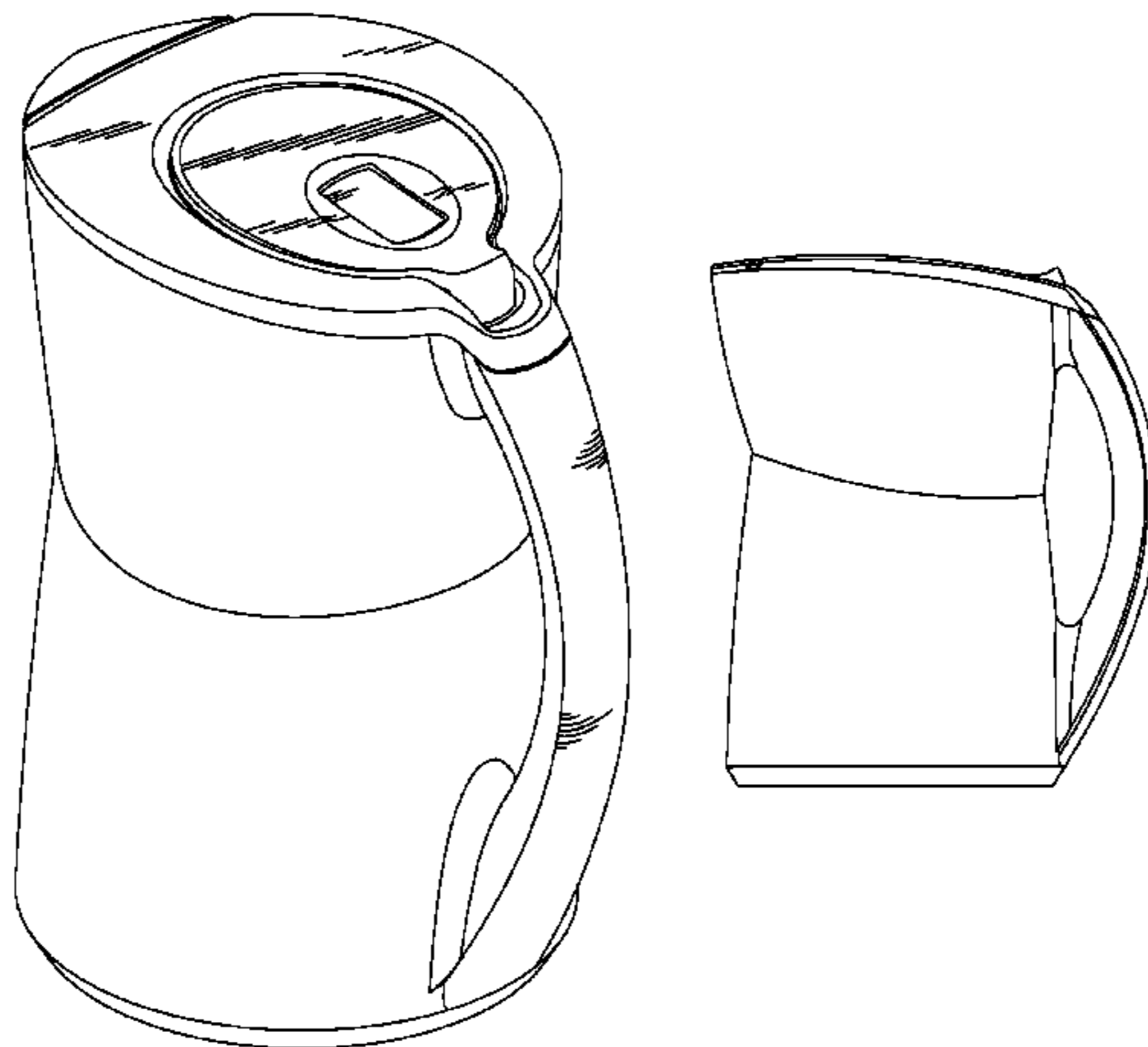
(57) **CLAIM**

The ornamental design for a water pitcher, as shown.

**DESCRIPTION**

FIG. 1 is a left rear perspective view of a water pitcher of the present invention;  
FIG. 2 is a left front perspective view thereof;  
FIG. 3 is a right side view thereof;  
FIG. 4 is a left side view thereof;  
FIG. 5 is a front view thereof;  
FIG. 6 is a rear view thereof;  
FIG. 7 is a bottom view thereof; and,  
FIG. 8 is a top view thereof.

**1 Claim, 5 Drawing Sheets**



# US D626,778 S

Page 2

## U.S. PATENT DOCUMENTS

D465,377 S 11/2002 Murison et al.  
D480,255 S \* 10/2003 Lecerf ..... D7/319  
D497,195 S 10/2004 Nishi et al.  
D520,597 S 5/2006 Witte  
D523,280 S 6/2006 Bertulis  
D524,087 S 7/2006 Ali  
D546,113 S 7/2007 Ruoff  
D558,507 S \* 1/2008 Picozza et al. .... D7/317  
D558,508 S \* 1/2008 Picozza et al. .... D7/317  
D562,053 S \* 2/2008 Cohen ..... D7/319  
D583,612 S 12/2008 Wu  
D585,231 S \* 1/2009 Bulala et al. .... D7/319  
D586,605 S \* 2/2009 Ma et al. .... D7/317

D586,606 S \* 2/2009 Ma et al. .... D7/319  
D587,958 S 3/2009 Schösser  
7,513,278 B2 \* 4/2009 Hengsperger et al. .... 141/85  
D596,904 S \* 7/2009 Nakatani ..... D7/605  
D598,233 S \* 8/2009 Ma et al. .... D7/317  
D620,304 S \* 7/2010 Rajan et al. .... D7/319  
2007/0209981 A1 9/2007 Moretto  
2007/0209984 A1 \* 9/2007 Lev et al. .... 210/143

## FOREIGN PATENT DOCUMENTS

DE 40406643.7 2/2005  
EP 1806322 7/2007

\* cited by examiner

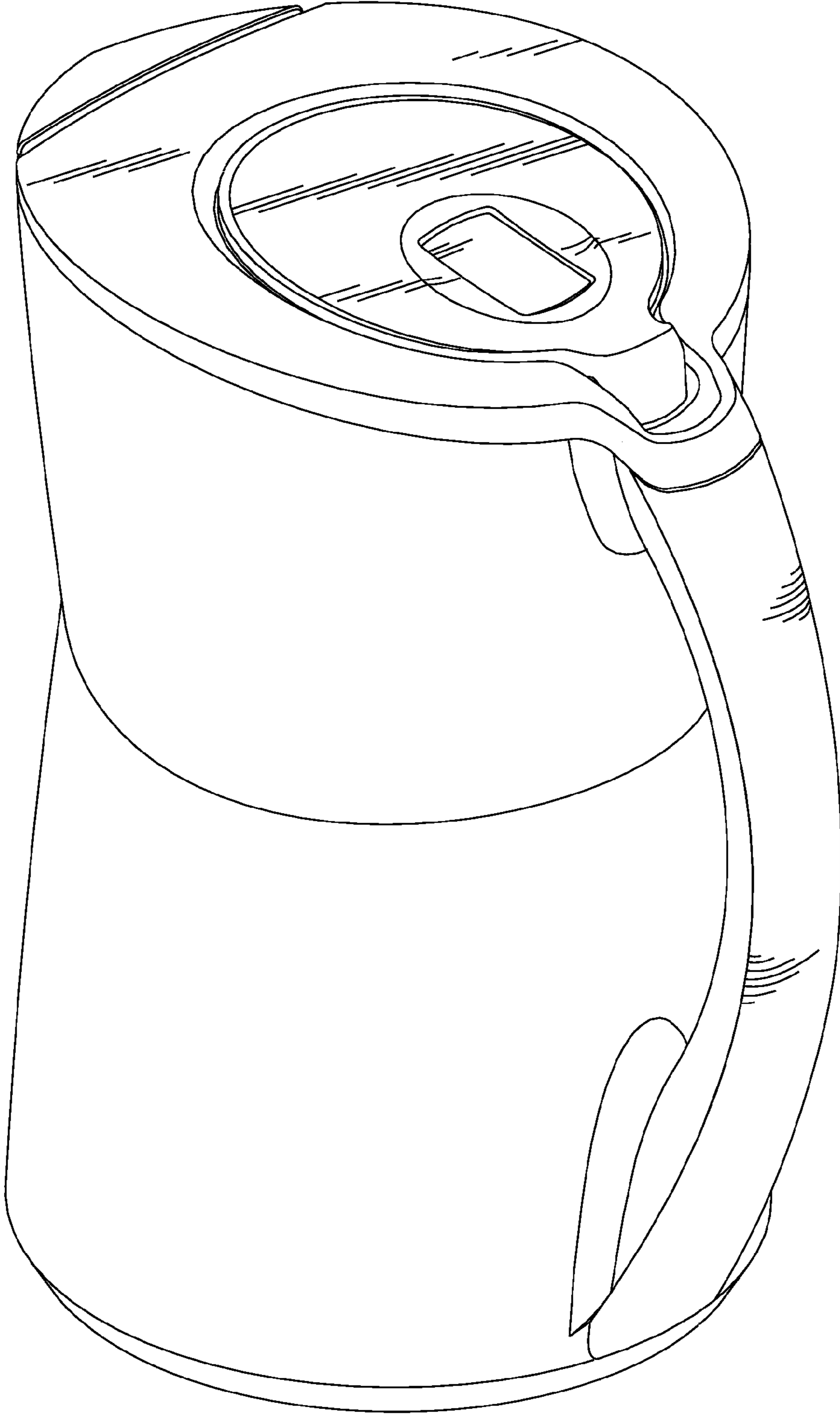


Fig. 1

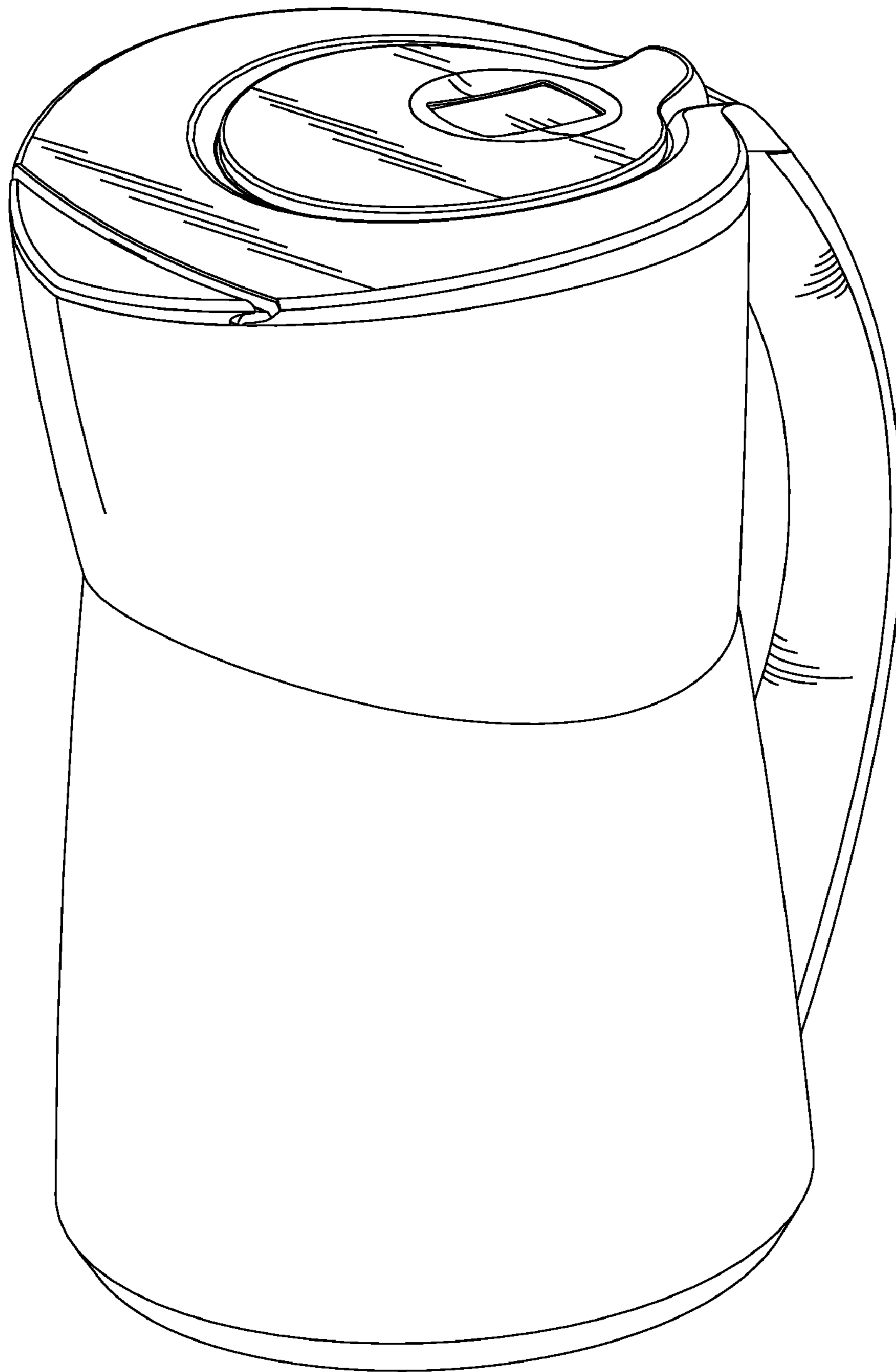


Fig. 2

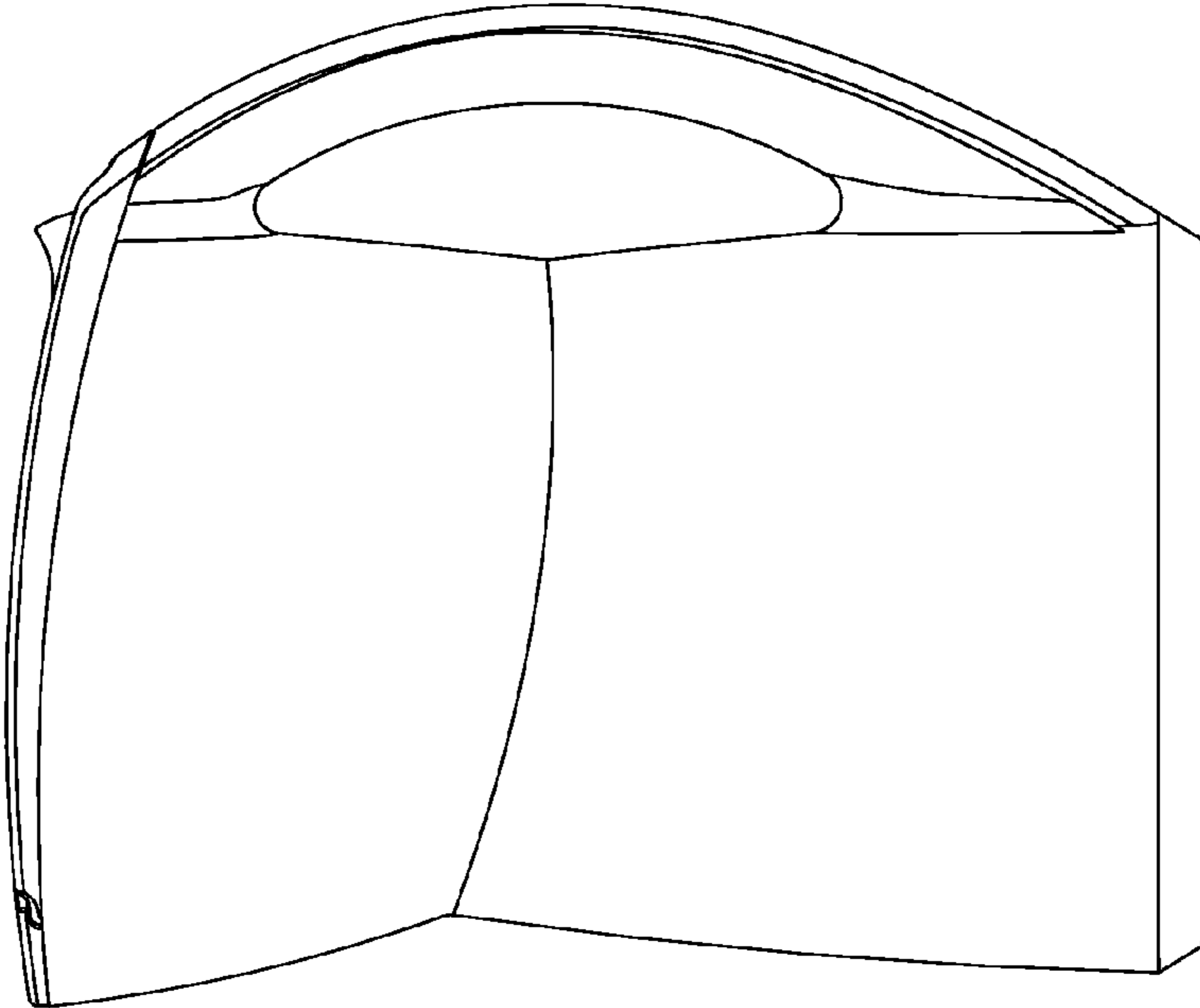


Fig. 4

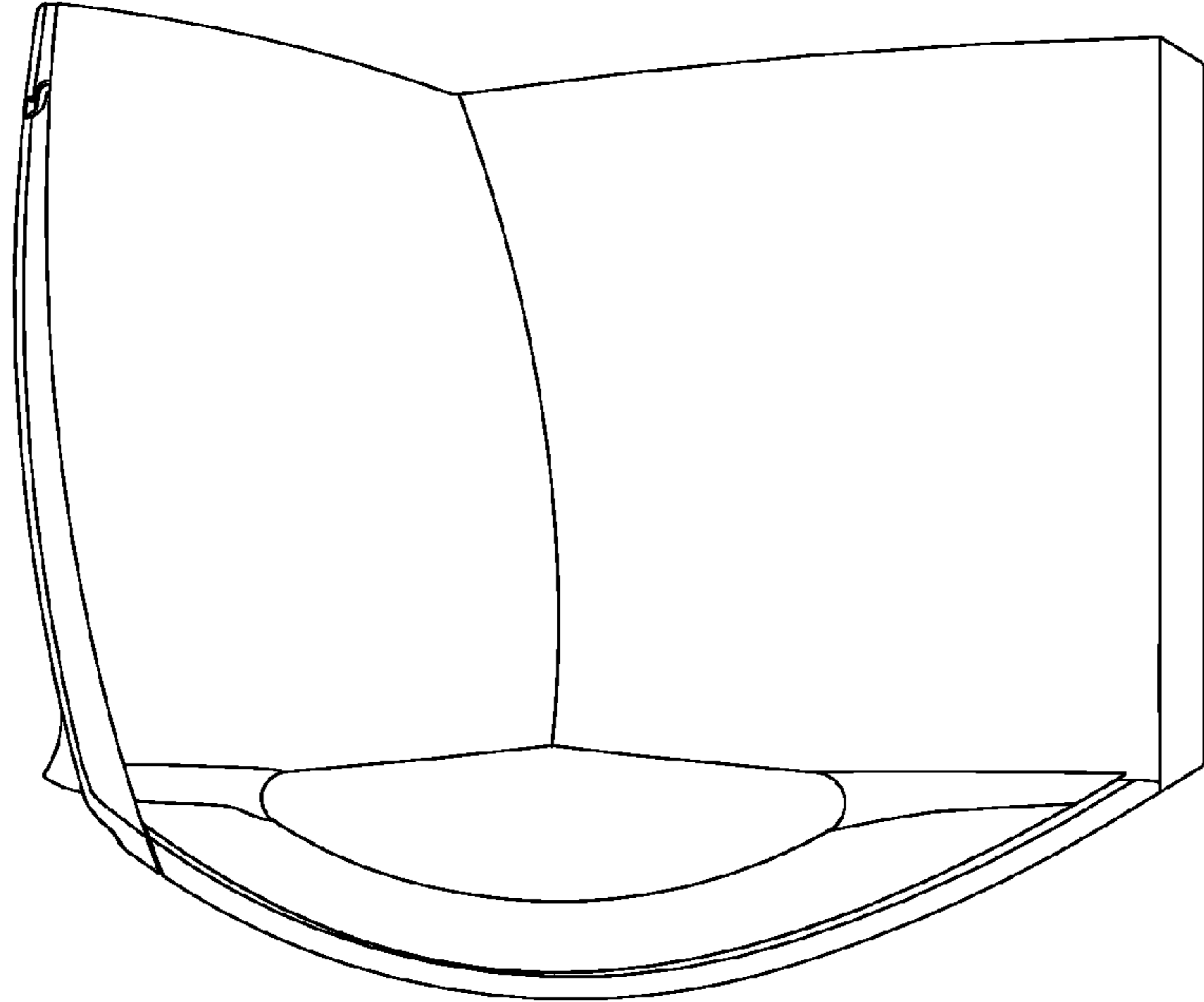


Fig. 3

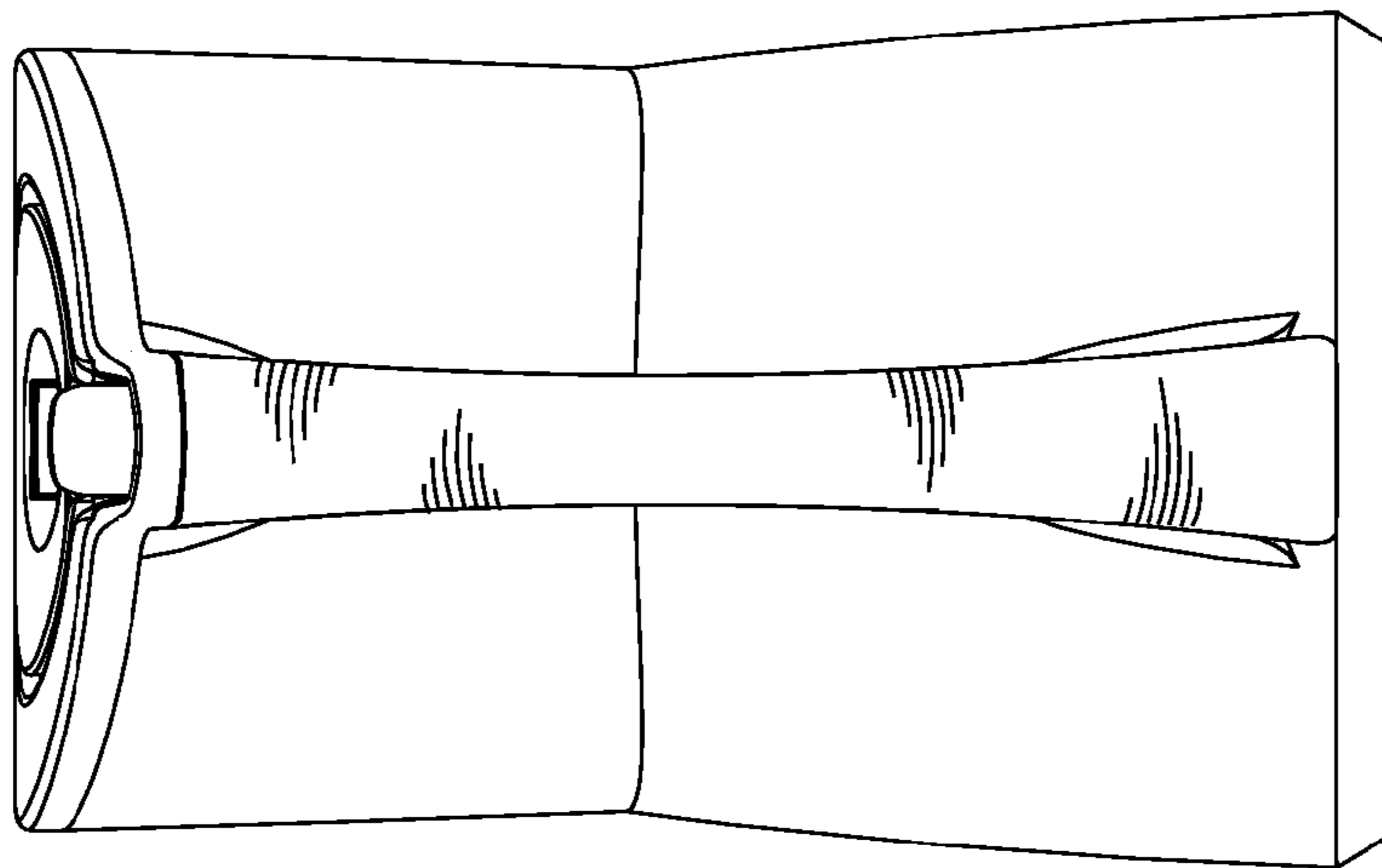


Fig. 6

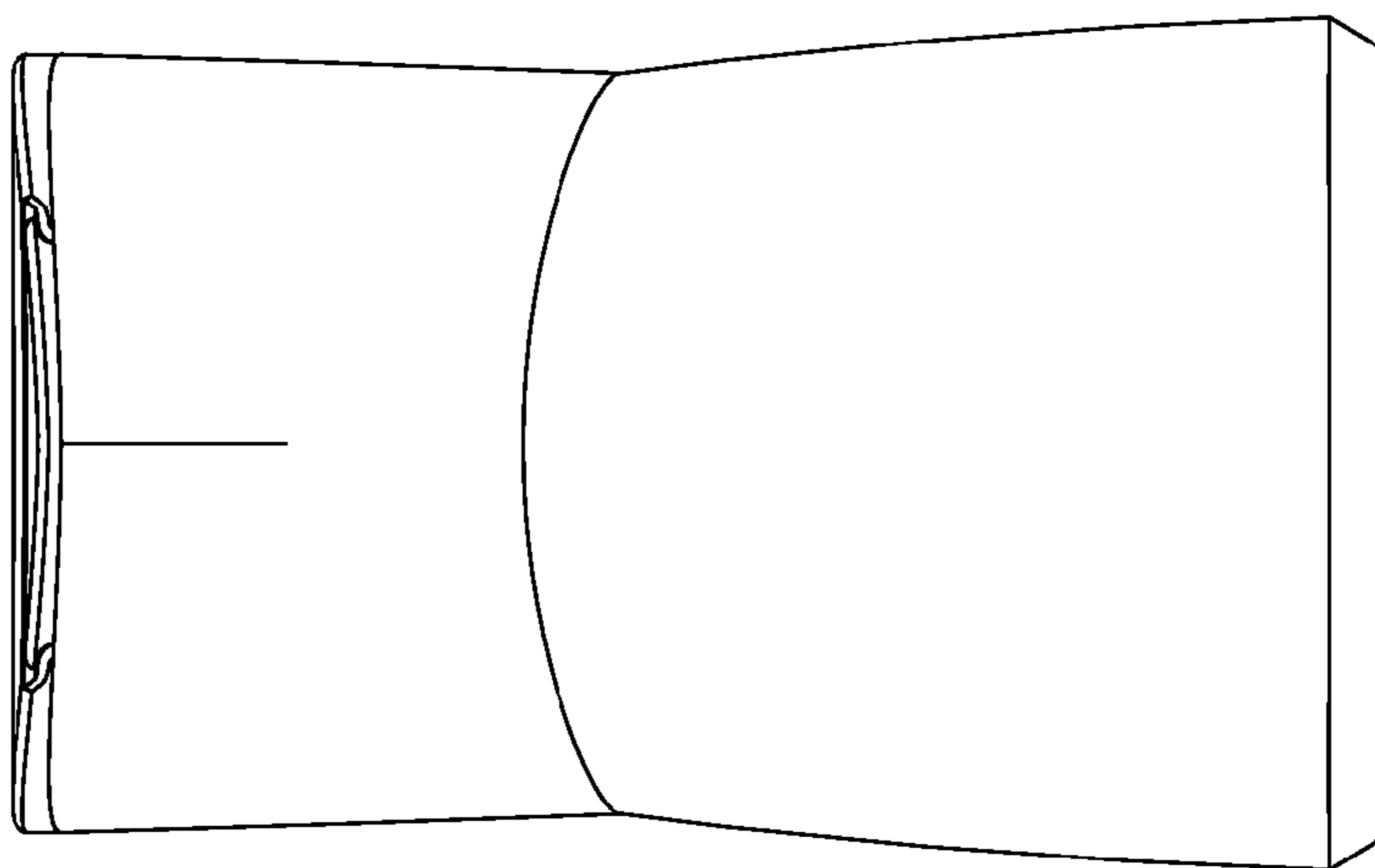


Fig. 5

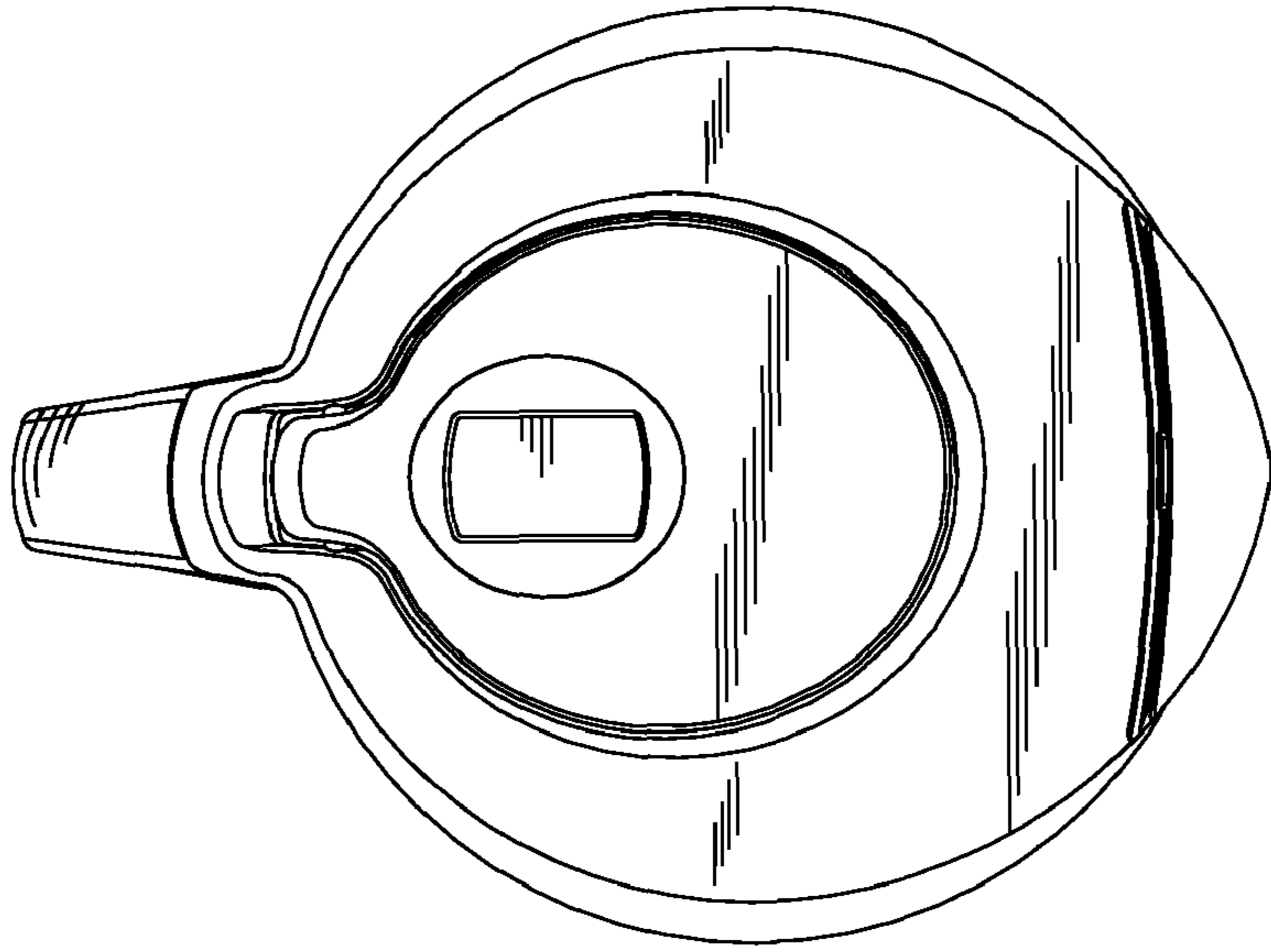


Fig. 8

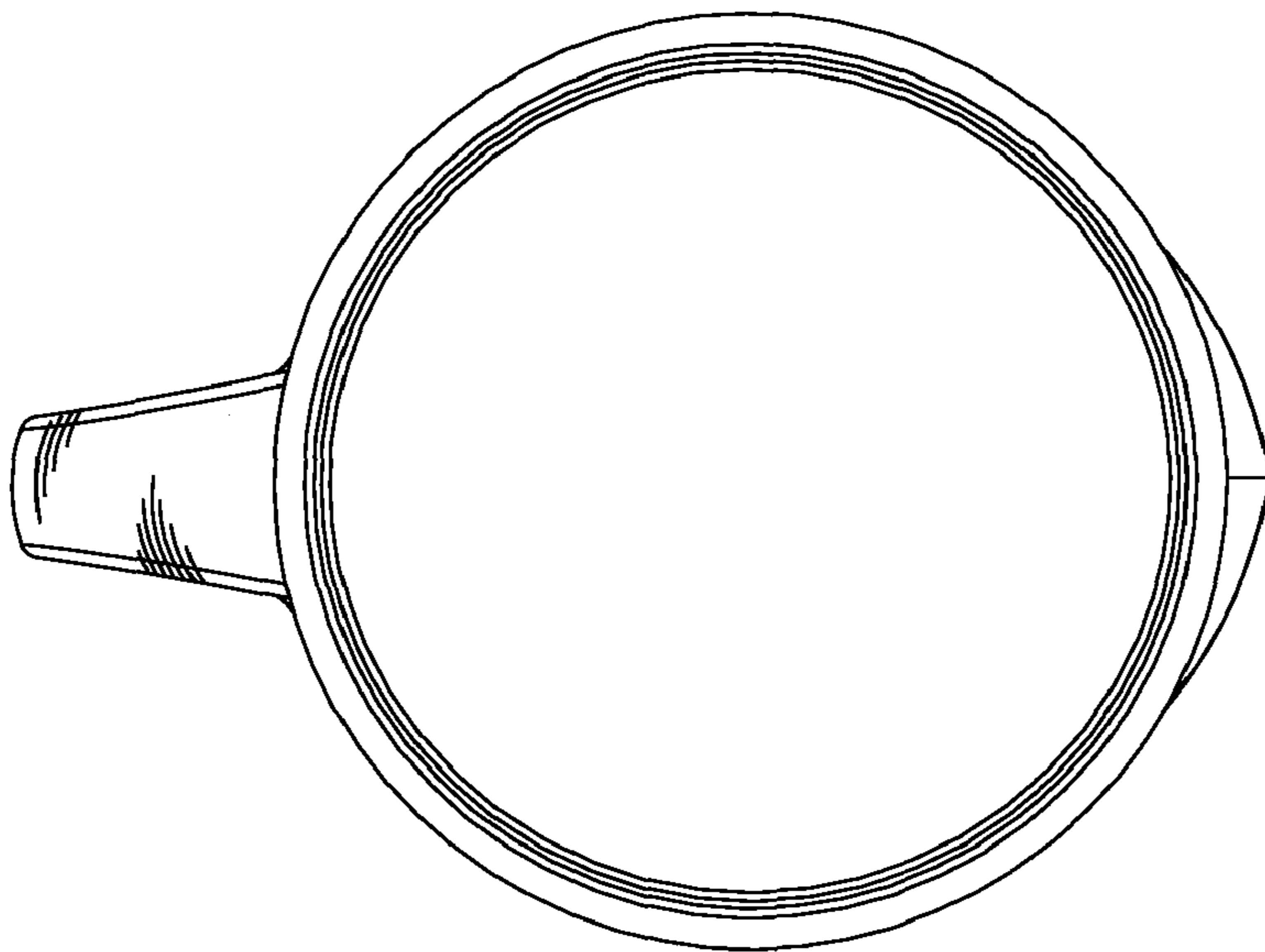


Fig. 7