



US00D626775S

(12) **United States Design Patent**
Deenadayalu et al.

(10) **Patent No.:** **US D626,775 S**
(45) **Date of Patent:** **** Nov. 9, 2010**

(54) **FABRIC COVER FOR AN INFANT MAT WITH RESTRAINING STRAP**

(75) Inventors: **R. Paul Deenadayalu**, Dayton, OH (US); **Achal Garg**, Cincinnati, OH (US)

(73) Assignee: **Deegar, Inc.**, Cincinnati, OH (US)

(**) Term: **14 Years**

(21) Appl. No.: **29/313,718**

(22) Filed: **Feb. 5, 2009**

(51) **LOC (9) Cl.** **06-09**

(52) **U.S. Cl.** **D6/601**

(58) **Field of Classification Search** D6/595-599, D6/601, 604; 5/630, 633, 636, 637, 735, 5/652-656, 655.3, 655.9, 706, 910, 922, 5/420; D21/803, 809

See application file for complete search history.

(56) **References Cited**

U.S. PATENT DOCUMENTS

- D369,054 S * 4/1996 Straub et al. D6/601
- D372,160 S * 7/1996 Morgan D6/601
- D385,143 S * 10/1997 Straub et al. D6/601
- D389,359 S * 1/1998 Nowak D6/601
- 6,052,850 A 4/2000 Salido et al.
- D436,281 S * 1/2001 Thompson D6/596

- D440,805 S * 4/2001 Rogone et al. D6/596
- 6,321,403 B1 11/2001 Matthews
- 6,473,923 B1 11/2002 Straub
- D494,128 S * 8/2004 Berger D12/416
- 6,877,176 B2 * 4/2005 Houghteling 5/655
- 6,954,954 B2 10/2005 Steinicki
- D528,707 S * 9/2006 Deioma D30/118

* cited by examiner

Primary Examiner—Janice E Seeger

Assistant Examiner—Zenia I Bennett

(74) *Attorney, Agent, or Firm*—Jacox, Meckstroth & Jenkins

(57) **CLAIM**

The ornamental design of a fabric cover for an infant mat with restraining strap, as shown and described.

DESCRIPTION

FIG. 1 is a perspective view of a fabric cover for an infant mat with restraining strap showing our new design;

FIG. 2 is a top view thereof;

FIG. 3 is one side view thereof;

FIG. 4 is an opposite side view thereof;

FIG. 5 is a front view thereof;

FIG. 6 is a rear view thereof; and,

FIG. 7 is a bottom view thereof.

1 Claim, 2 Drawing Sheets

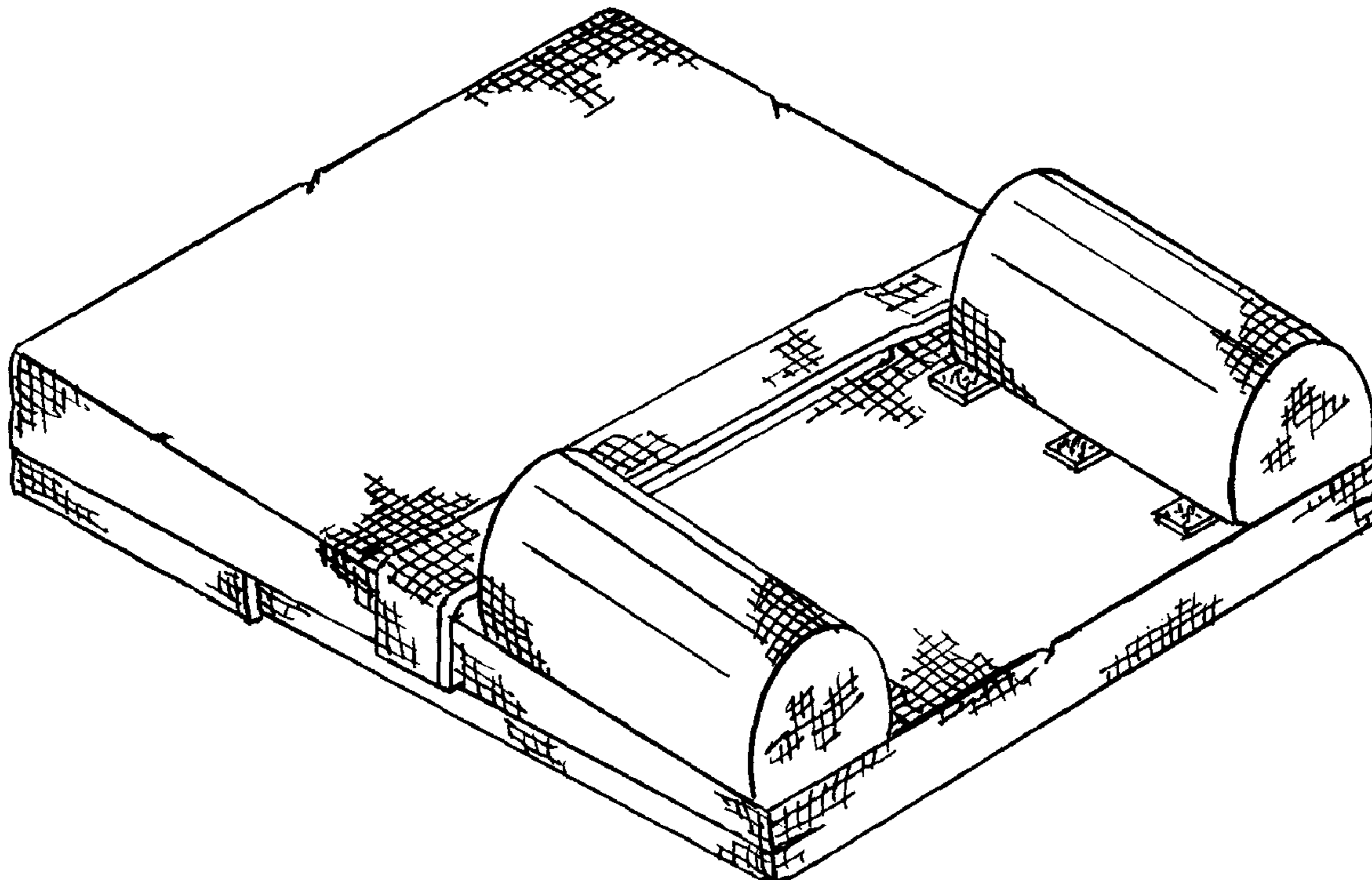


FIG-1

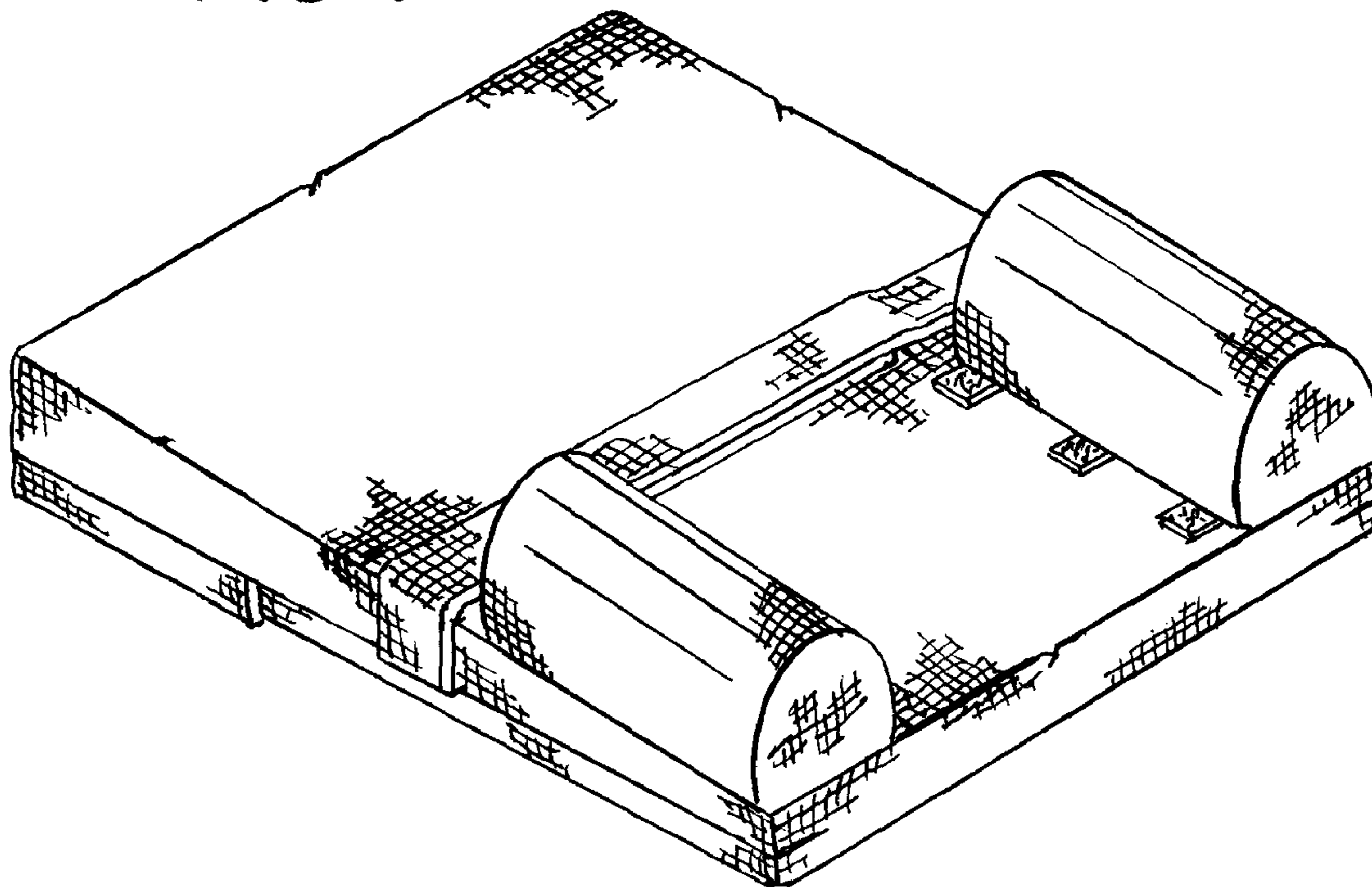


FIG-2

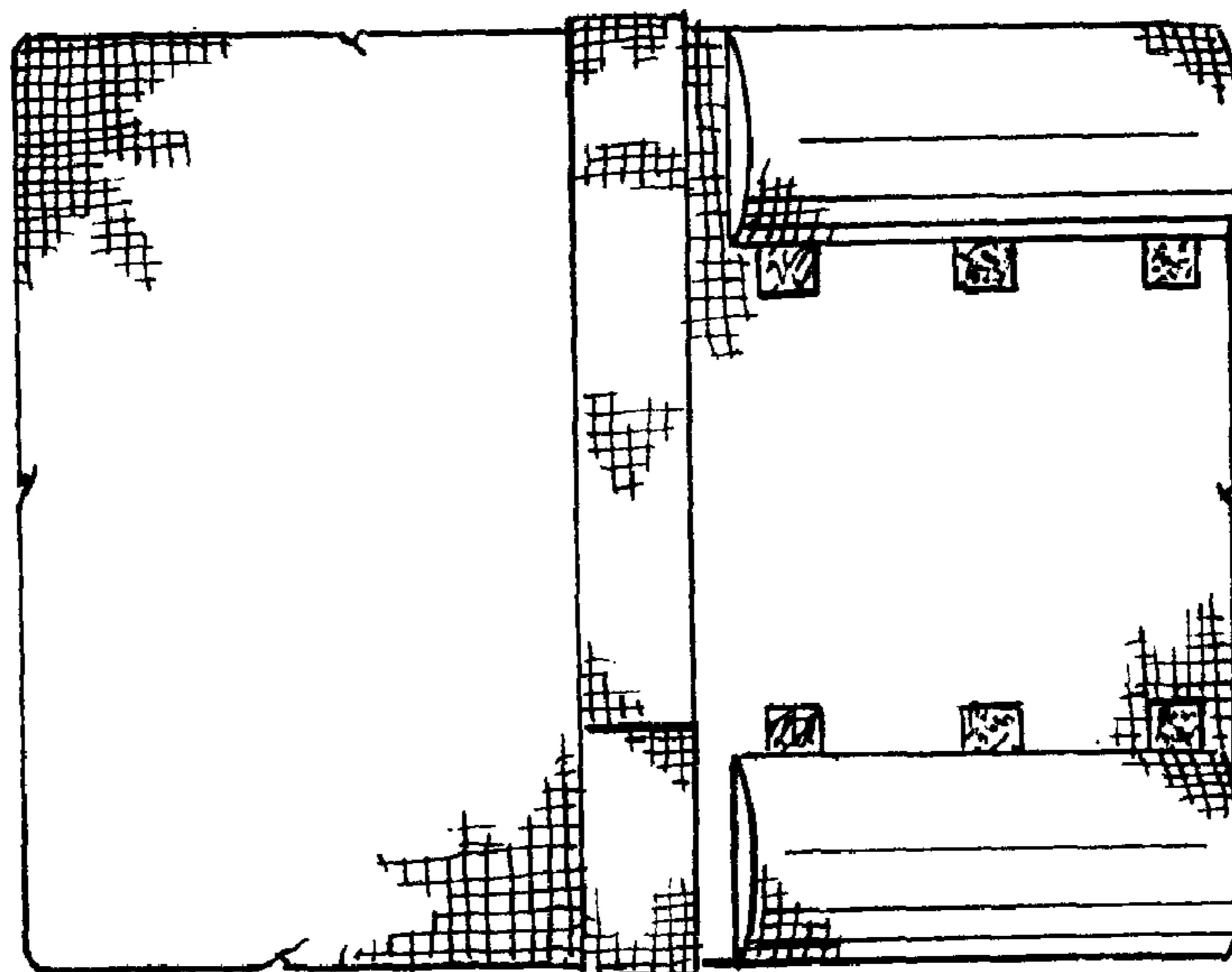


FIG-3

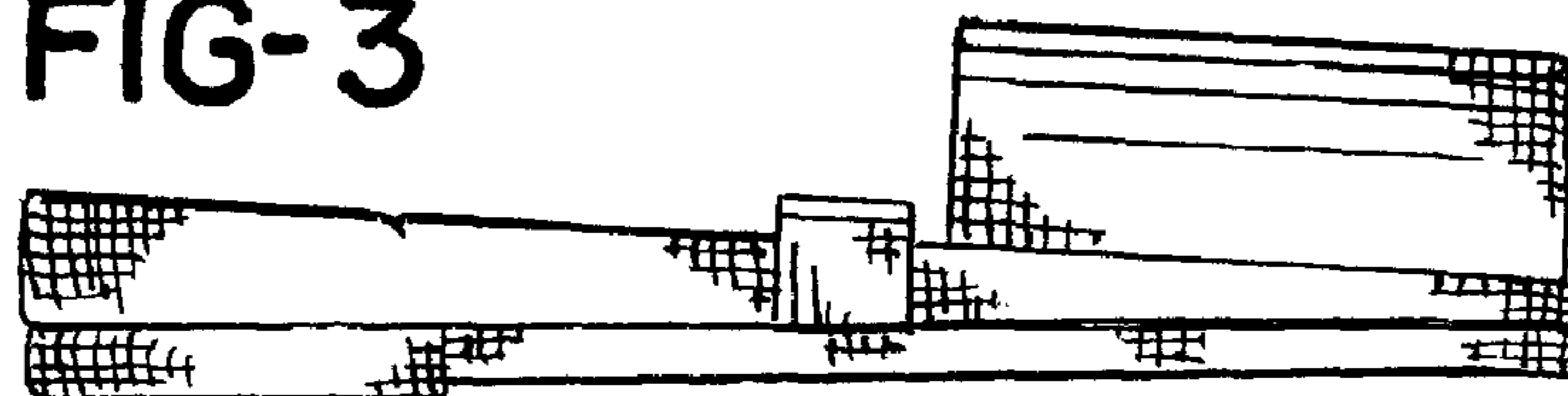


FIG-4

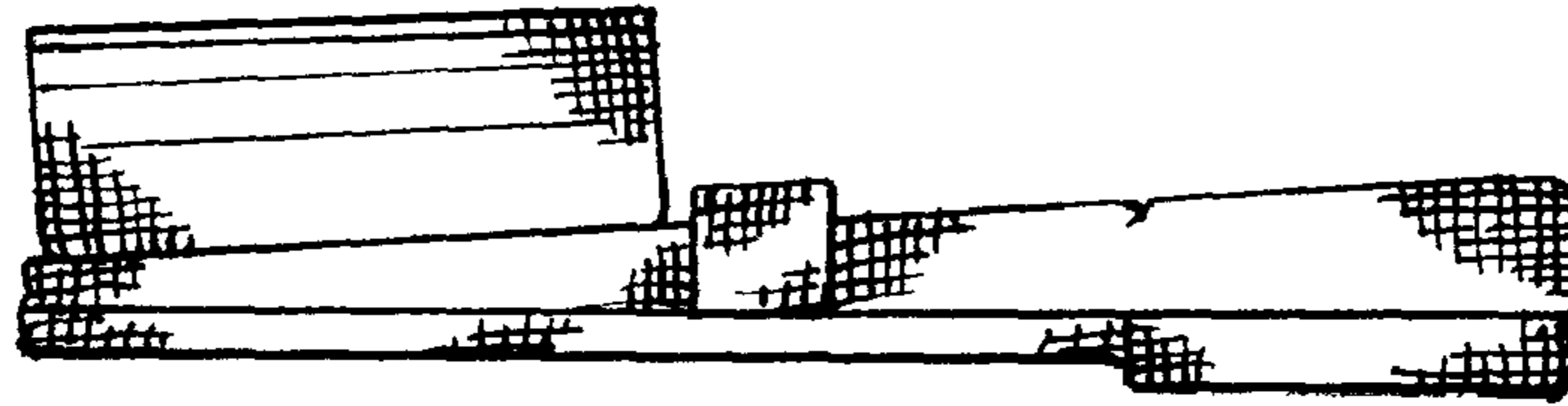


FIG-5

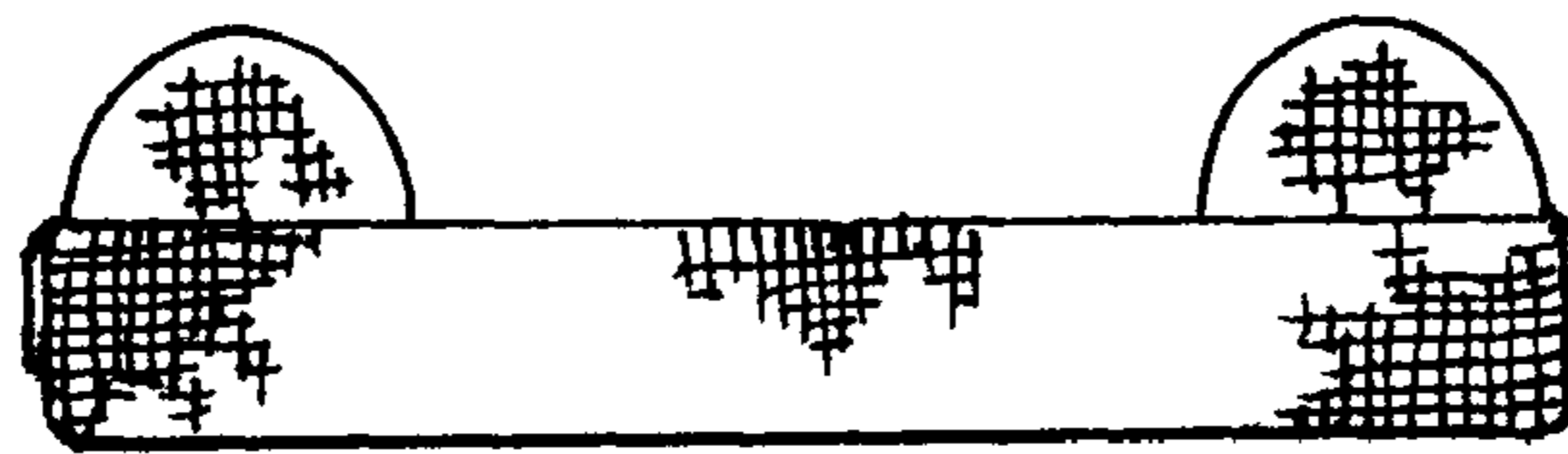


FIG-6

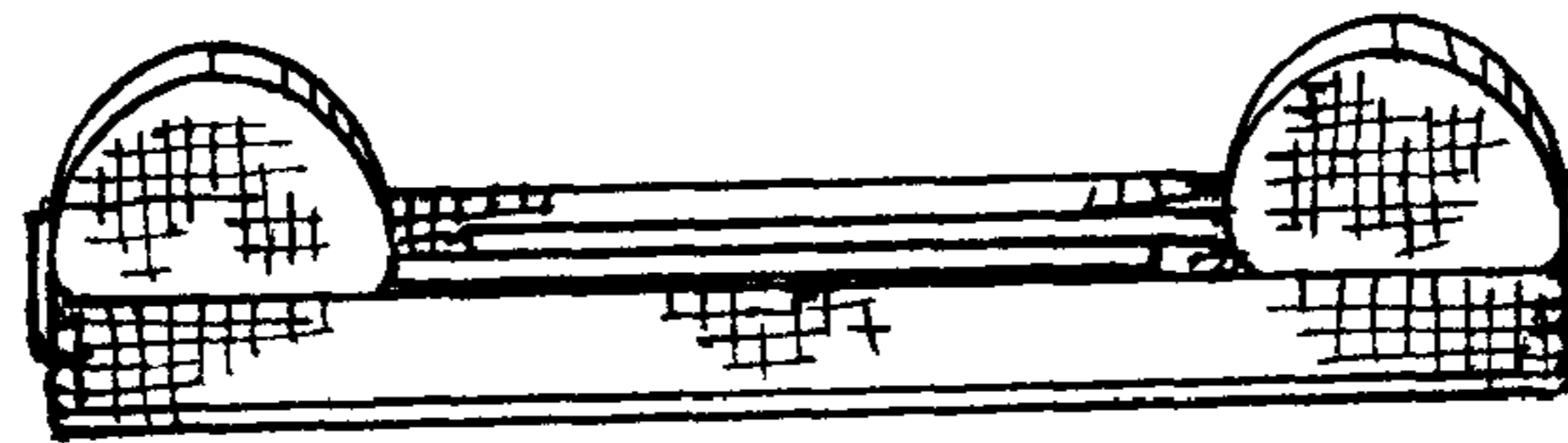


FIG-7

